



US00D879070S

(12) **United States Design Patent**
Chang et al.

(10) **Patent No.:** **US D879,070 S**
(45) **Date of Patent:** **** Mar. 24, 2020**

(54) **SPEAKER**

(71) Applicant: **Quanta Computer Inc.**, Taoyuan (TW)

(72) Inventors: **Chia-Yuan Chang**, Taoyuan (TW);
Jung-Wen Chang, Taoyuan (TW);
Yu-Yao Lin, Taoyuan (TW)

(73) Assignee: **QUANTA COMPUTER INC.**,
Guishan Dist., Taoyuan (TW)

(**) Term: **15 Years**

(21) Appl. No.: **29/648,658**

(22) Filed: **May 23, 2018**

(30) **Foreign Application Priority Data**

Feb. 12, 2018 (TW) 107300907

(51) **LOC (12) Cl.** **14-01**

(52) **U.S. Cl.**
USPC **D14/207; D7/536**

(58) **Field of Classification Search**
USPC D14/167, 168, 170-172, 188, 194-196,
D14/204, 209.1, 210-216, 219, 221, 222,
D14/224, 239, 496, 207, 189; D7/507,
D7/509, 533, 535, 536
CPC B60R 11/0217; G06F 1/1688; G10K 9/22;
G10K 11/004; H03F 1/327; H04M 1/03;
H04M 1/035; H04N 5/642; H04N
21/4852; H04R 1/02; H04R 1/06; H04R
1/021; H04R 1/025; H04R 1/026; H04R
1/028; H04R 1/105; H04R 1/323; H04R
1/403; H04R 1/2803; H04R 1/2834;
H04R 5/02; H04R 7/20; H04R 9/06;
H04R 9/025; H04R 2201/021; H04R
2400/00; H04R 2201/07; H04R 2499/11;
H04R 2499/13; H04R 2499/15; H04S
3/00; H04S 7/30

See application file for complete search history.

(56) **References Cited**

U.S. PATENT DOCUMENTS

D249,316 S *	9/1978	Tyska	D7/536
D425,065 S *	5/2000	Frances	D14/189
D562,805 S *	2/2008	Tokuno	D14/216
D597,378 S *	8/2009	Poindexter	D7/536
D746,255 S *	12/2015	Tze-Yen	D14/204
D828,721 S *	9/2018	Xiao	D7/507

OTHER PUBLICATIONS

TechnoBuffalo.com; 'MusicCup Portable Bluetooth Speaker: Great Value, Fun Design'; [online] 'https://www.technobuffalo.com/music-cup-portable-bluetooth-speaker-great-value-fun-design'; dated Dec. 2, 2013; accessed Jan. 3, 2019; 6p. (Year: 2013).*

(Continued)

Primary Examiner — Keli L Hill

(74) *Attorney, Agent, or Firm* — McClure, Qualey & Rodack, LLP

(57) **CLAIM**

The ornamental design for a speaker, as shown and described.

DESCRIPTION

FIG. 1 is a front perspective view of a speaker, such as a bluetooth speaker, which is capable of playing sound, in accordance with our new and ornamental design;

FIG. 2 is a front view thereof;

FIG. 3 is a rear view thereof;

FIG. 4 is a left side view thereof;

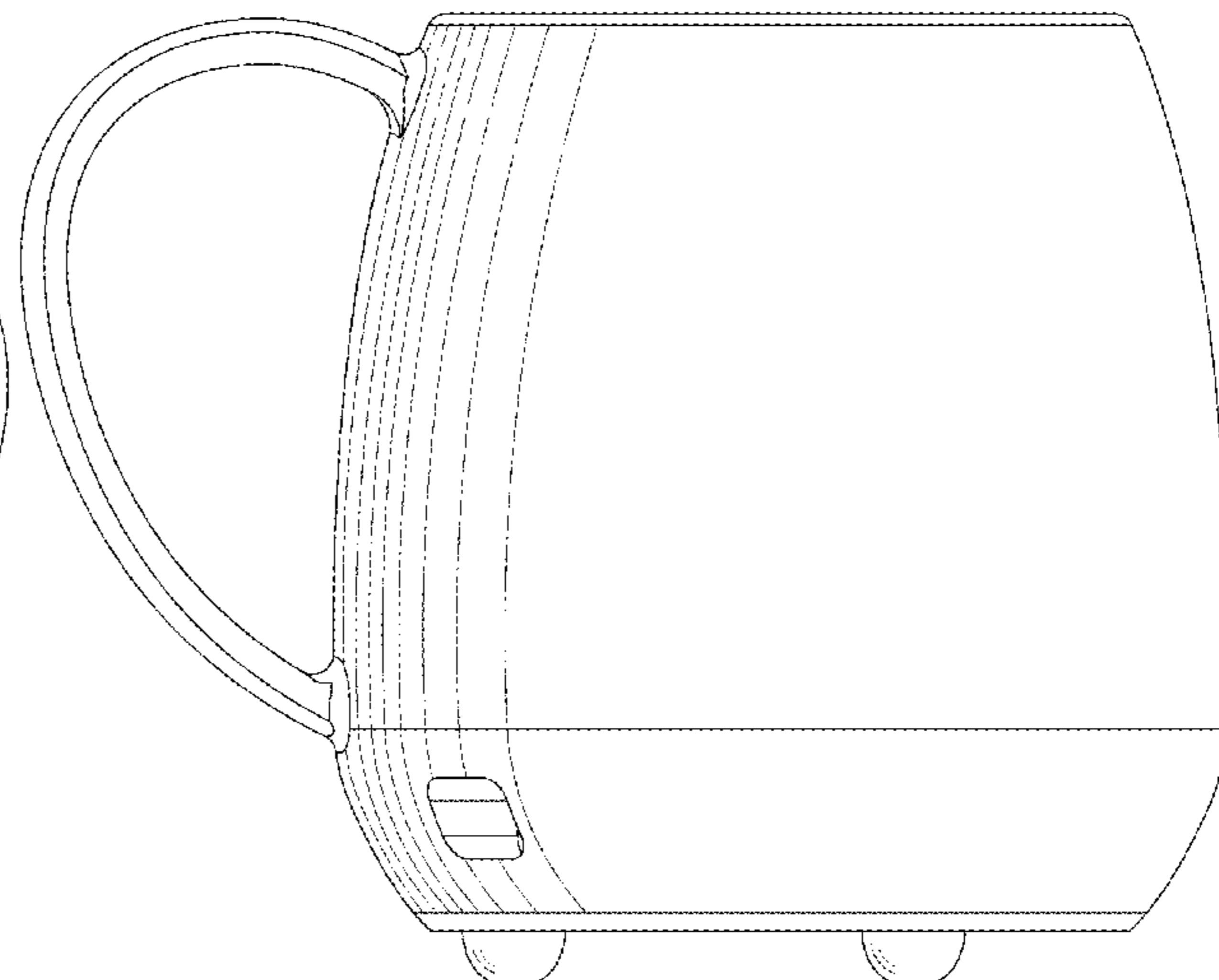
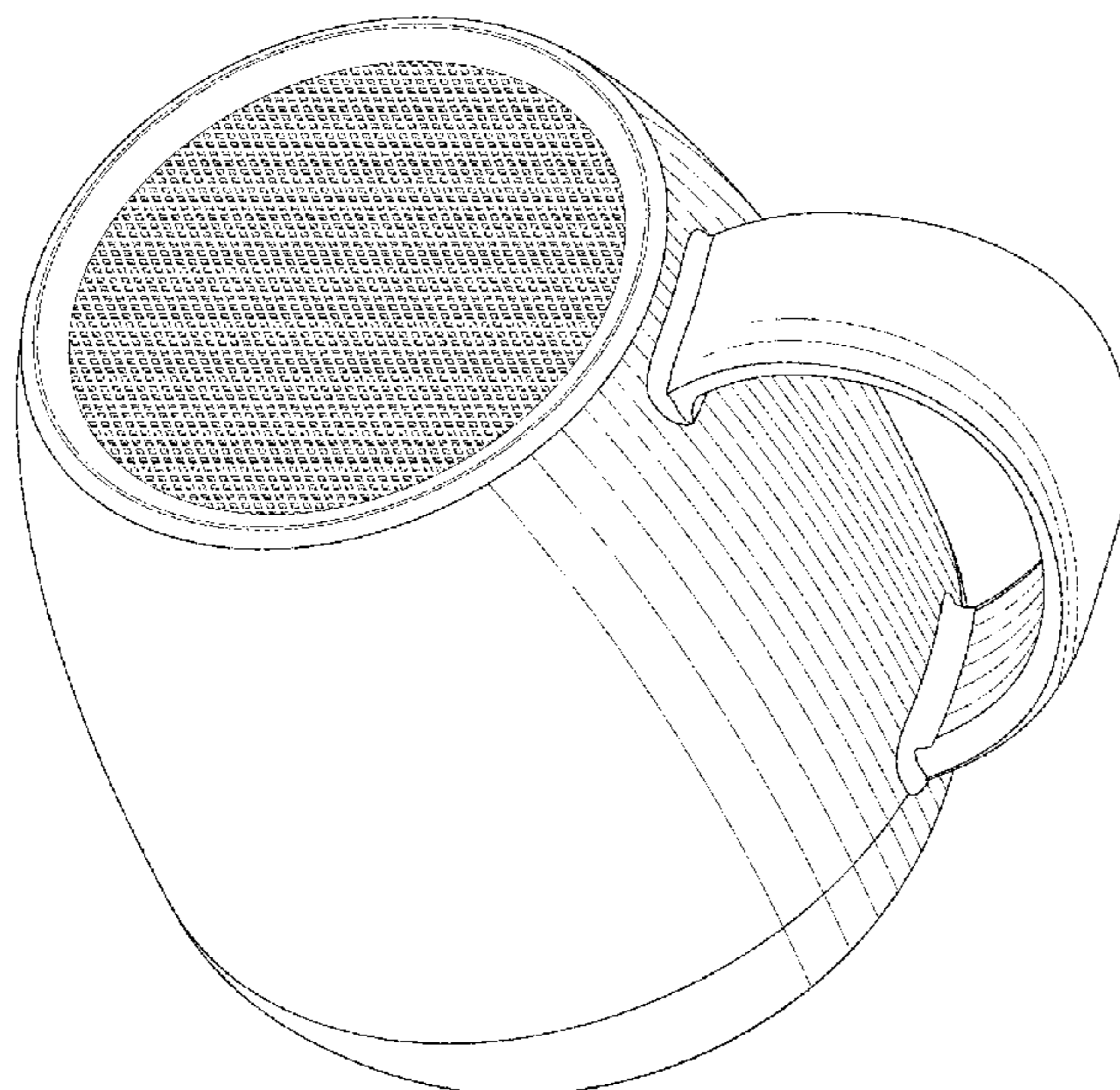
FIG. 5 is a right side view thereof;

FIG. 6 is a top plan view thereof; and,

FIG. 7 is a bottom plan view thereof.

The broken lines depict portions of a speaker in which the design is embodied and forms no part of the claimed design.

1 Claim, 7 Drawing Sheets



(56)

References Cited

OTHER PUBLICATIONS

Technabob.com; 'Brando Coffee Cup Bluetooth Speaker: A Prank for the World's Best Dad'; [online] '<https://technabob.com/blog/2015/03/06/brando-coffee-cup-bluetooth-speaker/>'; dated Mar. 6, 2015; accessed Jan. 3, 2020; 6p. (Year: 2015).*

Getdatgadget.com; 'Start Your Day with the Gear4 Espresso Portable Wireless Bluetooth Speaker'; [online] <http://www.getdatgadget.com/start-day-gear4-espresso-portable-wireless-bluetooth-speaker/>; dated Sep. 14, 2014 [via Wayback Machine]; accessed Jan. 3, 2020; 3p. (Year: 2014).*

* cited by examiner

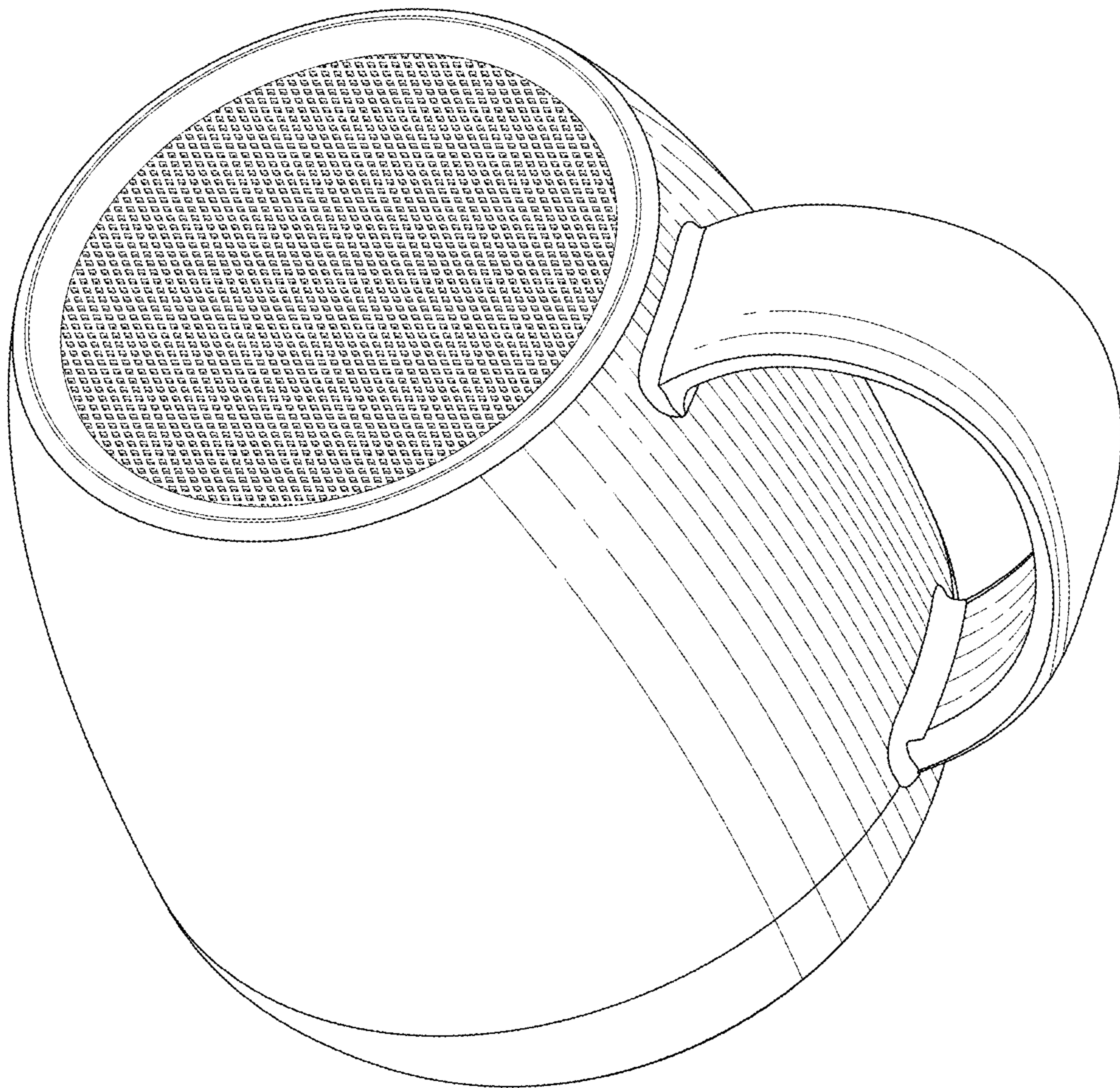


FIG. 1

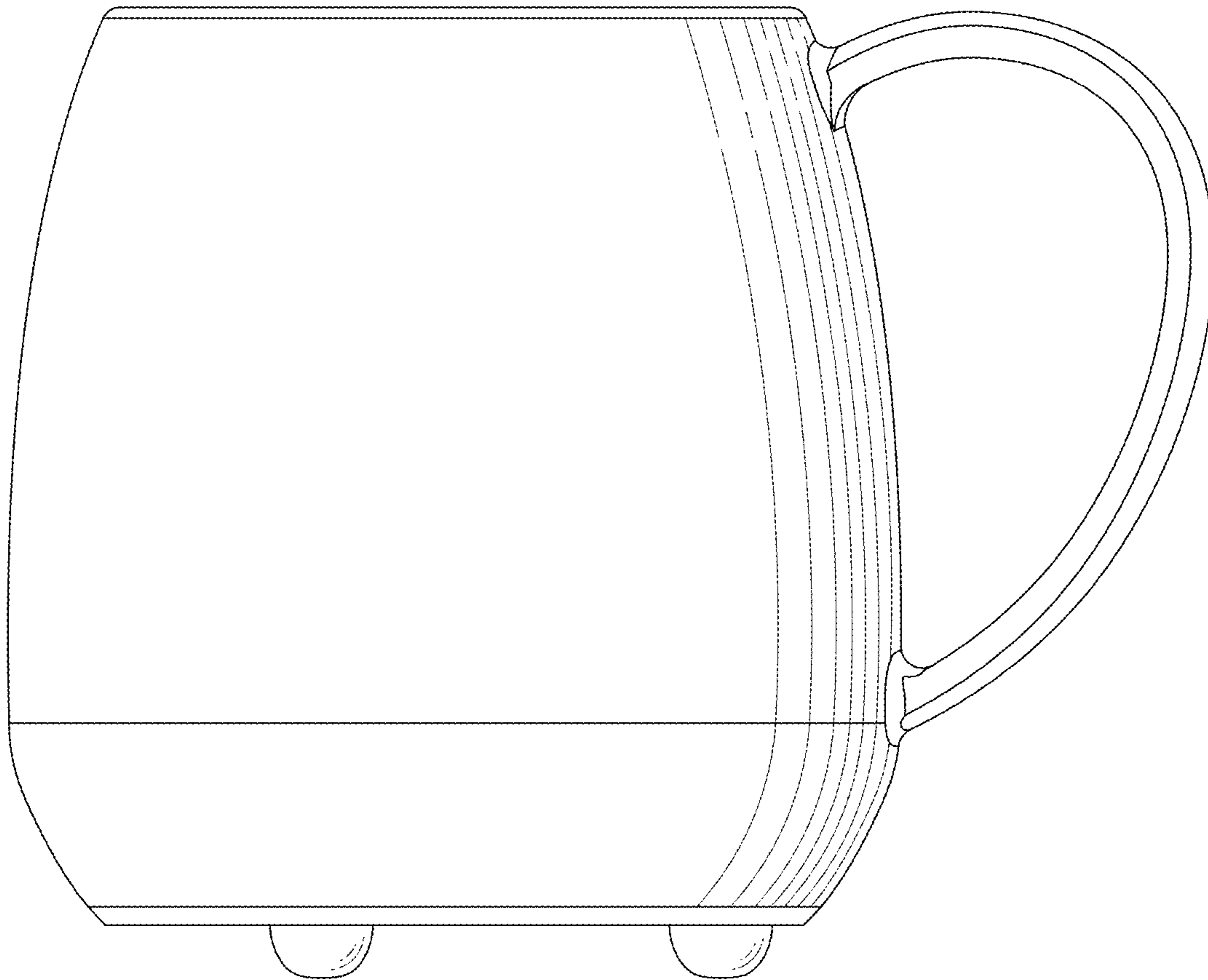


FIG. 2

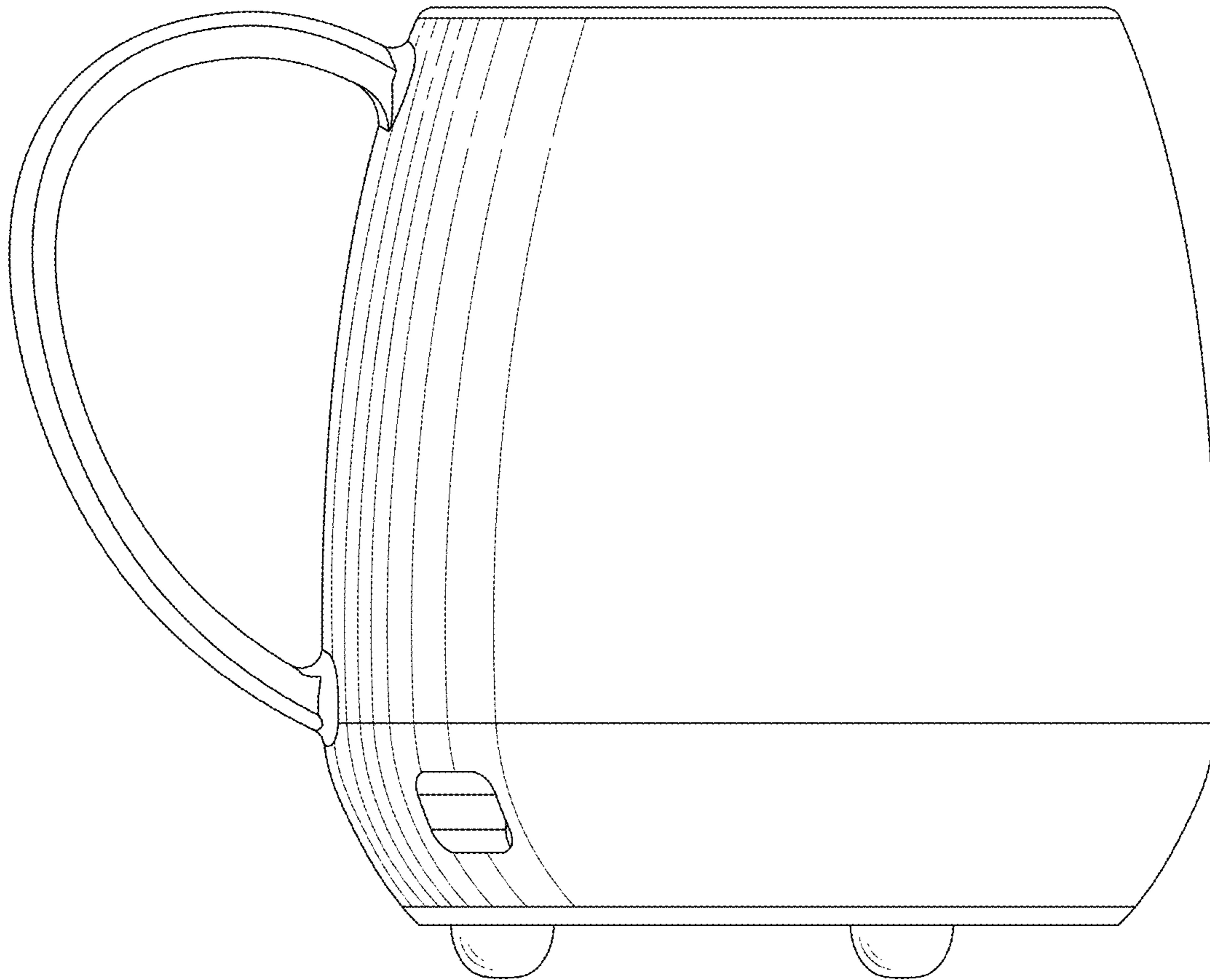


FIG. 3

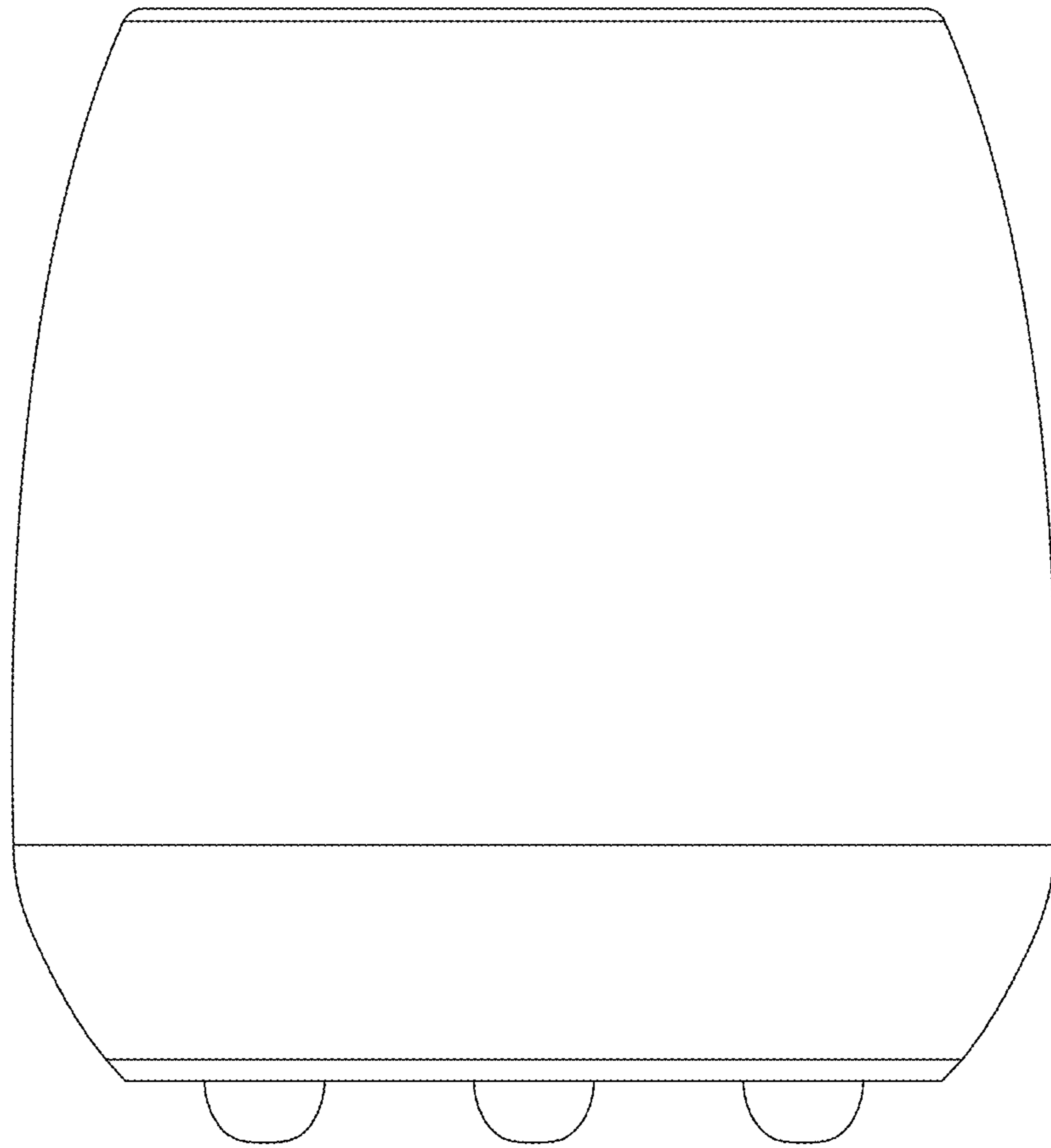


FIG. 4

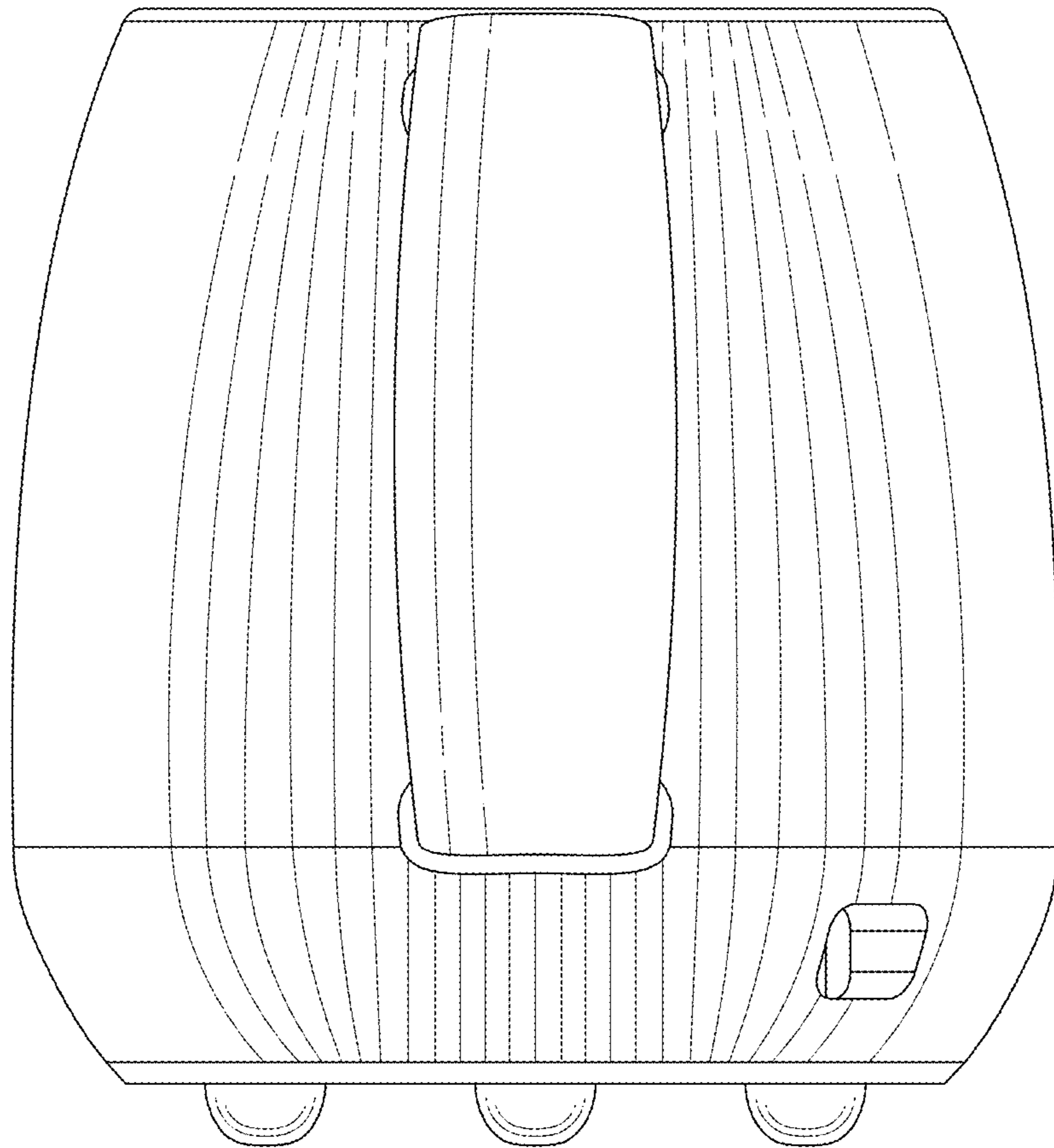


FIG. 5

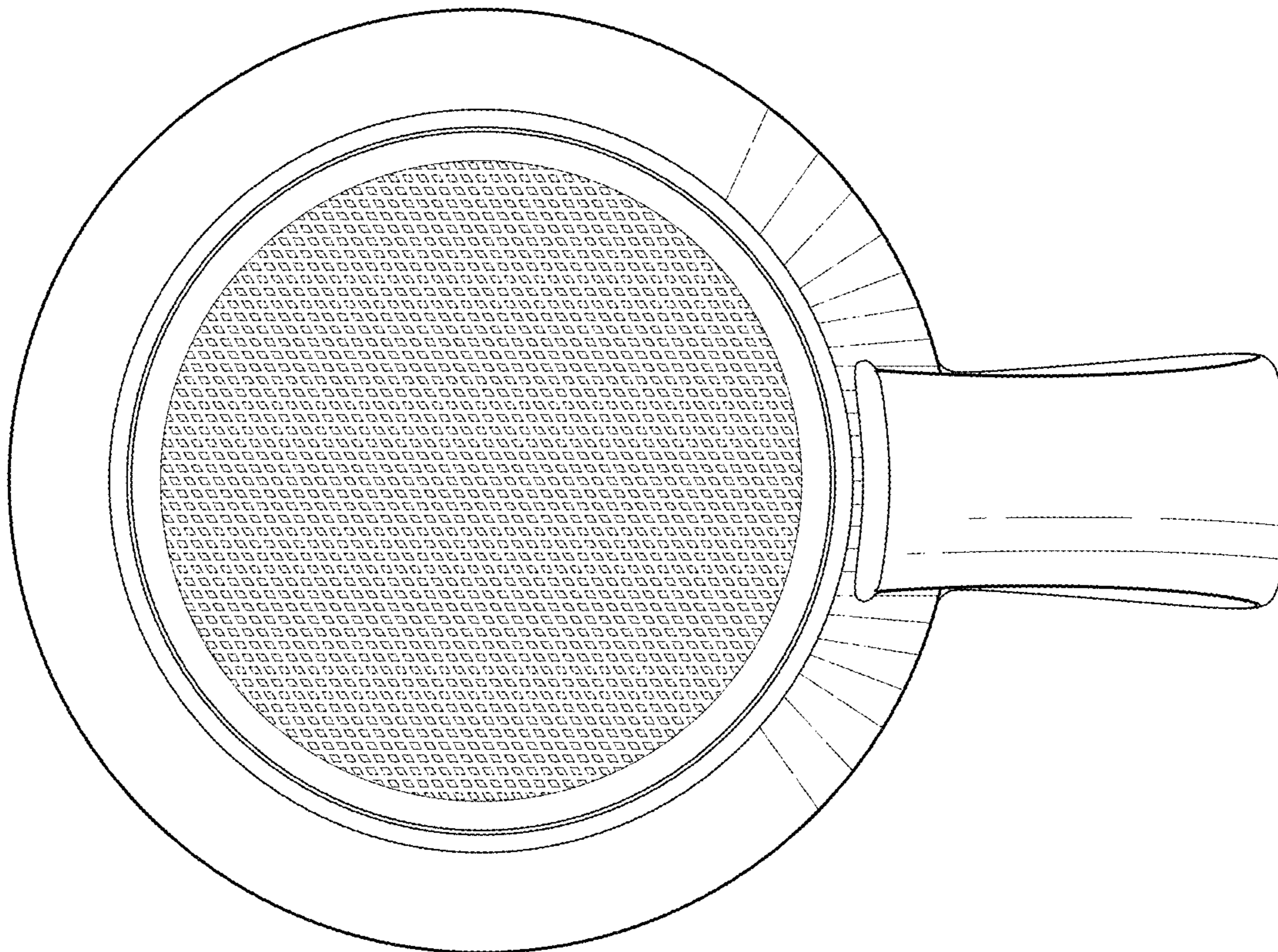


FIG. 6

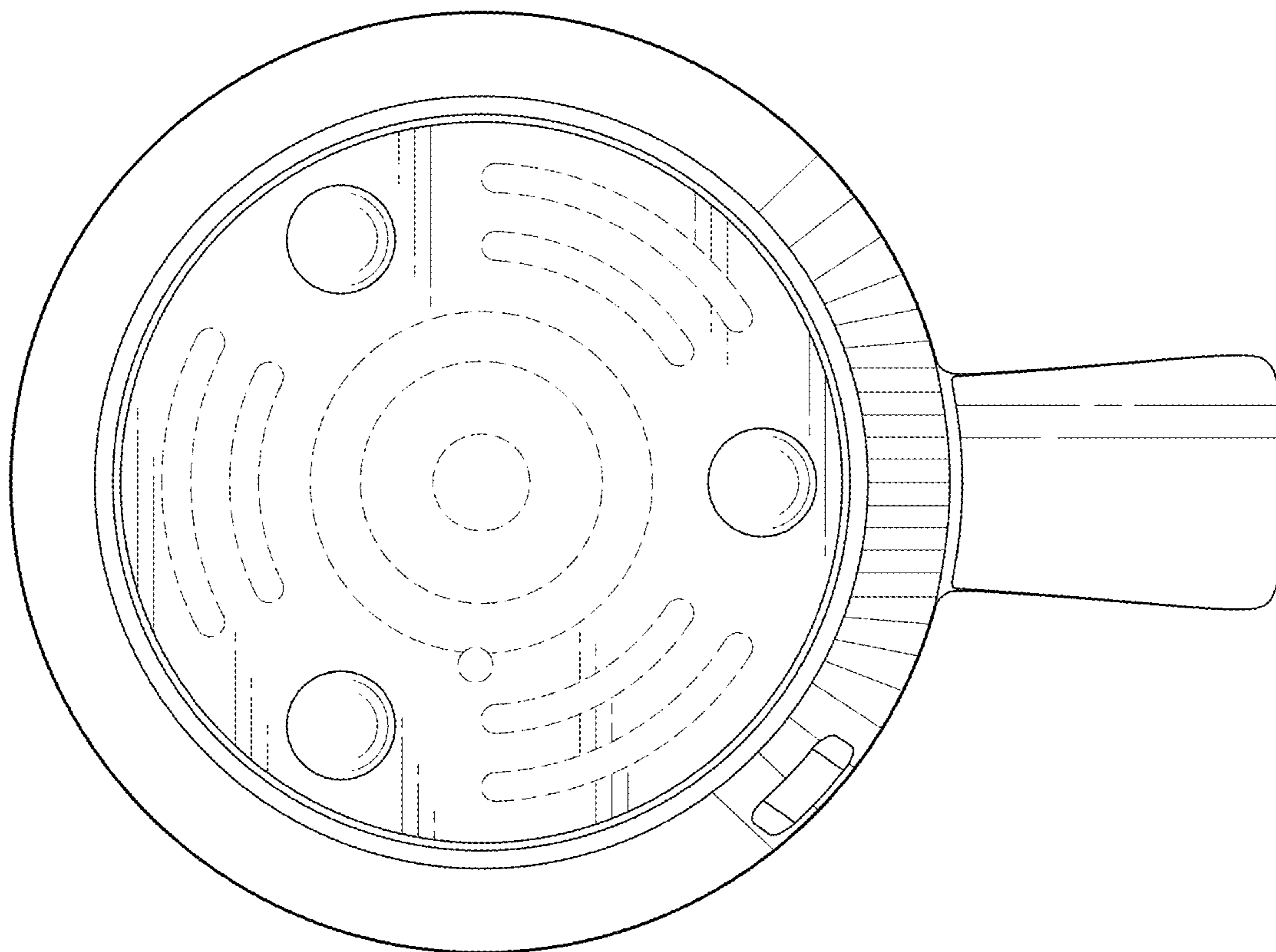


FIG. 7