



US00D879065S

(12) **United States Design Patent**
Chan

(10) **Patent No.:** **US D879,065 S**

(45) **Date of Patent:** **** Mar. 24, 2020**

(54) **HEADSET**

(71) Applicant: **Kye Systems Corp.**, New Taipei (TW)

(72) Inventor: **Chi-Wai Chan**, New Taipei (TW)

(73) Assignee: **Kye Systems Corp.**, New Taipei (TW)

(**) Term: **15 Years**

(21) Appl. No.: **29/637,065**

(22) Filed: **Feb. 13, 2018**

(51) **LOC (12) Cl.** **14-01**

(52) **U.S. Cl.**

USPC **D14/205**

(58) **Field of Classification Search**

USPC D14/205, 223, 188, 192; D29/112;
2/209; 181/129, 130, 135; 379/430, 431;
381/380, 381, 374, 370; 455/90.3, 575.1,
455/569.1

CPC H04R 25/00; H04R 1/1066; H04R 1/1016;
H04R 5/033; H04R 5/0335; H04R 1/105

See application file for complete search history.

(56) **References Cited**

U.S. PATENT DOCUMENTS

- 1,606,165 A * 11/1926 Glenn H01B 7/04
123/633
- 1,776,373 A * 9/1930 Rollman B02C 18/305
241/293
- 3,272,926 A * 9/1966 Falkenberg H04R 1/1008
381/370
- 3,505,684 A * 4/1970 Hutchinson A61F 11/14
2/209
- 3,787,899 A * 1/1974 Krawagna H04R 1/1066
2/209
- D491,163 S * 6/2004 Green D14/205
- D512,708 S * 12/2005 Harris, Jr. D14/205
- 6,993,143 B2 * 1/2006 Harris H04R 1/1066
381/374

- D541,255 S * 4/2007 Taylor D14/205
- D563,382 S * 3/2008 Wikel D14/205
- 7,412,070 B2 * 8/2008 Kleinschmidt H04R 1/1083
381/370
- D581,394 S * 11/2008 Lee D14/205
- D585,871 S * 2/2009 Lee D14/205
- D585,872 S * 2/2009 Lee D14/205
- D594,847 S * 6/2009 Suzuki D14/205
- D600,674 S * 9/2009 Brennwald D14/205
- D616,865 S * 6/2010 Marchand D14/205
- D642,554 S * 8/2011 Schaal D14/205
- D662,080 S * 6/2012 Carr D14/205
- D691,984 S * 10/2013 Wang D14/205
- D693,791 S * 11/2013 Troy D14/205
- D706,240 S * 6/2014 Szymanski H04R 1/1066
D14/205
- D706,241 S * 6/2014 Szymanski H04R 1/1066
D14/205
- D716,255 S * 10/2014 Cho D14/205
- D719,136 S * 12/2014 Schaal D14/205
- D721,052 S * 1/2015 Carr D14/205

(Continued)

Primary Examiner — Paula Allen Greene

(74) *Attorney, Agent, or Firm* — Schmeiser, Olsen & Watts LLP

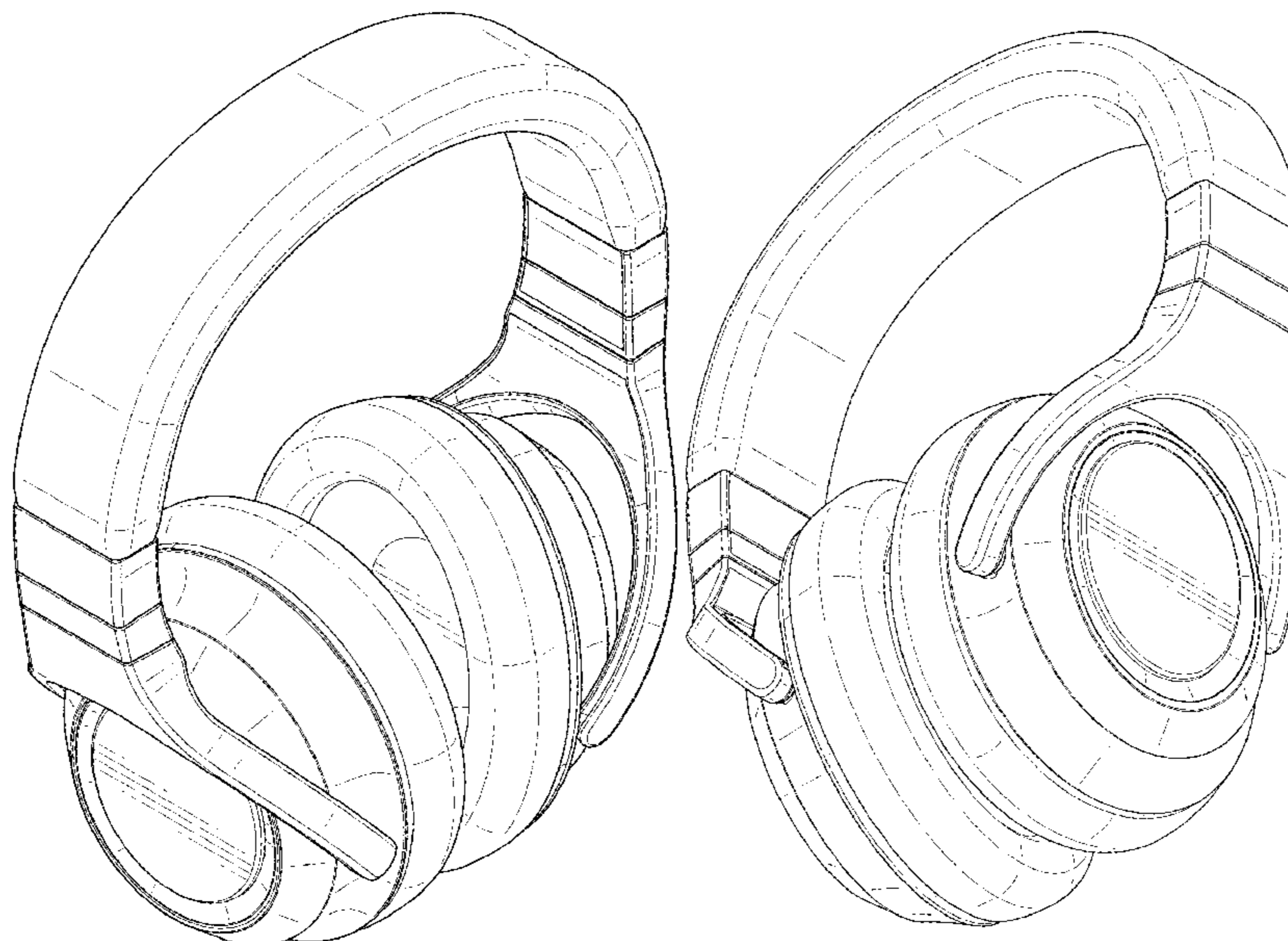
(57) **CLAIM**

I claim the ornamental design for a headset, as shown and described.

DESCRIPTION

FIG. 1 is a front perspective view of a headset showing our new design;
FIG. 2 is a rear perspective view thereof;
FIG. 3 is a front elevational view thereof;
FIG. 4 is a rear elevational view thereof;
FIG. 5 is a left side elevational view thereof;
FIG. 6 is a right side elevational view thereof;
FIG. 7 is a top plan view thereof; and,
FIG. 8 is a bottom plan view thereof.

1 Claim, 8 Drawing Sheets



(56)

References Cited

U.S. PATENT DOCUMENTS

D734,297	S	*	7/2015	Sasaki	D14/205
D741,290	S	*	10/2015	Schaal	D14/205
9,161,117	B2	*	10/2015	Blonder	H04R 1/1066
D758,337	S	*	6/2016	Szymanski	D14/205
D780,713	S	*	3/2017	Szymanski	D14/205
D800,691	S	*	10/2017	Ando	D14/205
D811,364	S	*	2/2018	Park	D14/205
D828,326	S	*	9/2018	Ye	D14/205
D830,334	S	*	10/2018	Carr	D14/205
D836,084	S	*	12/2018	Xie	D14/205
D837,763	S	*	1/2019	Suzuki	D14/205
D843,345	S	*	3/2019	Brunner	D14/205
2004/0216946	A1	*	11/2004	Lenhard-Backhaus	H04R 1/1066
						181/129
2010/0310093	A1	*	12/2010	Semcken	H04R 1/1058
						381/104

* cited by examiner

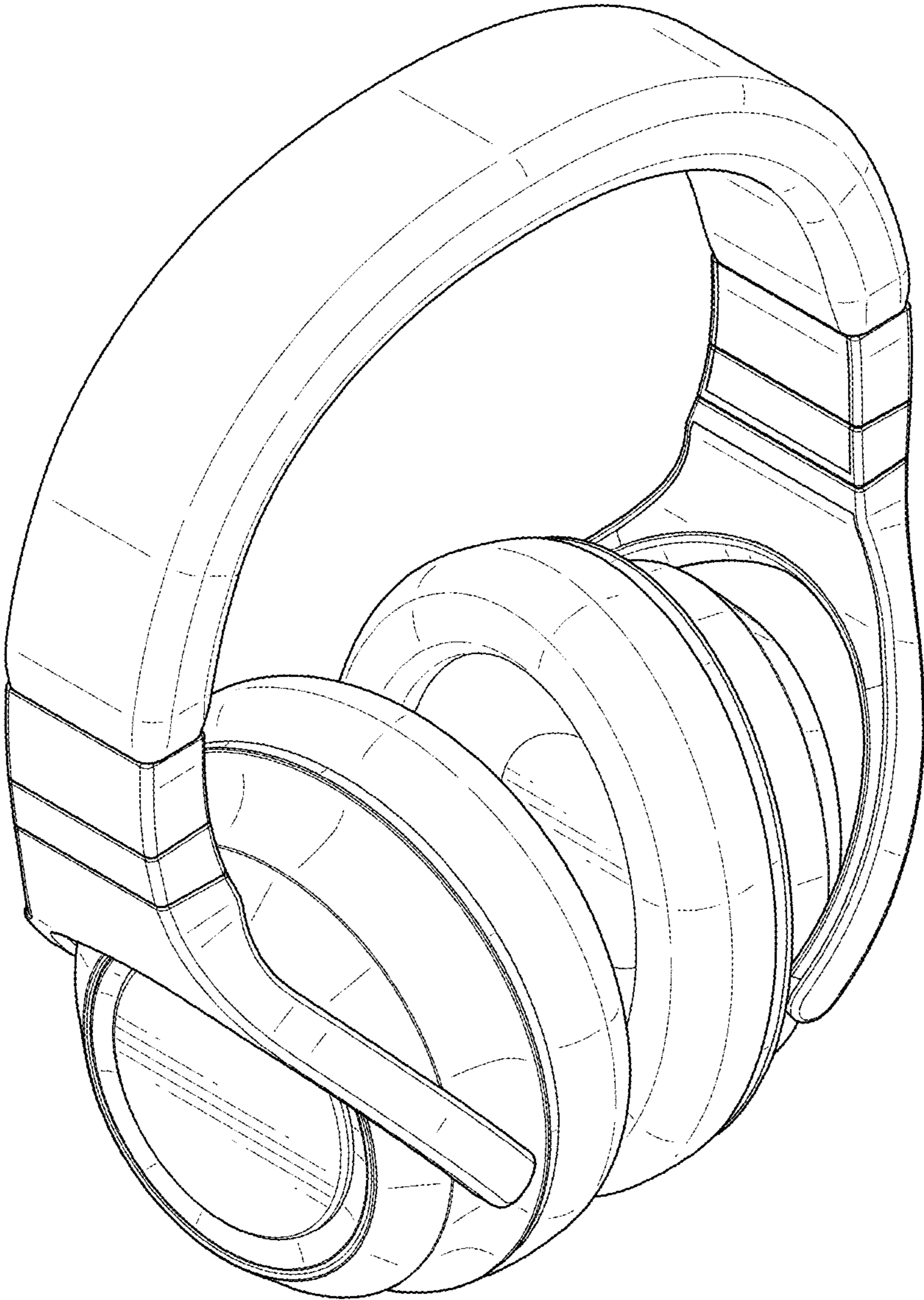


FIG. 1

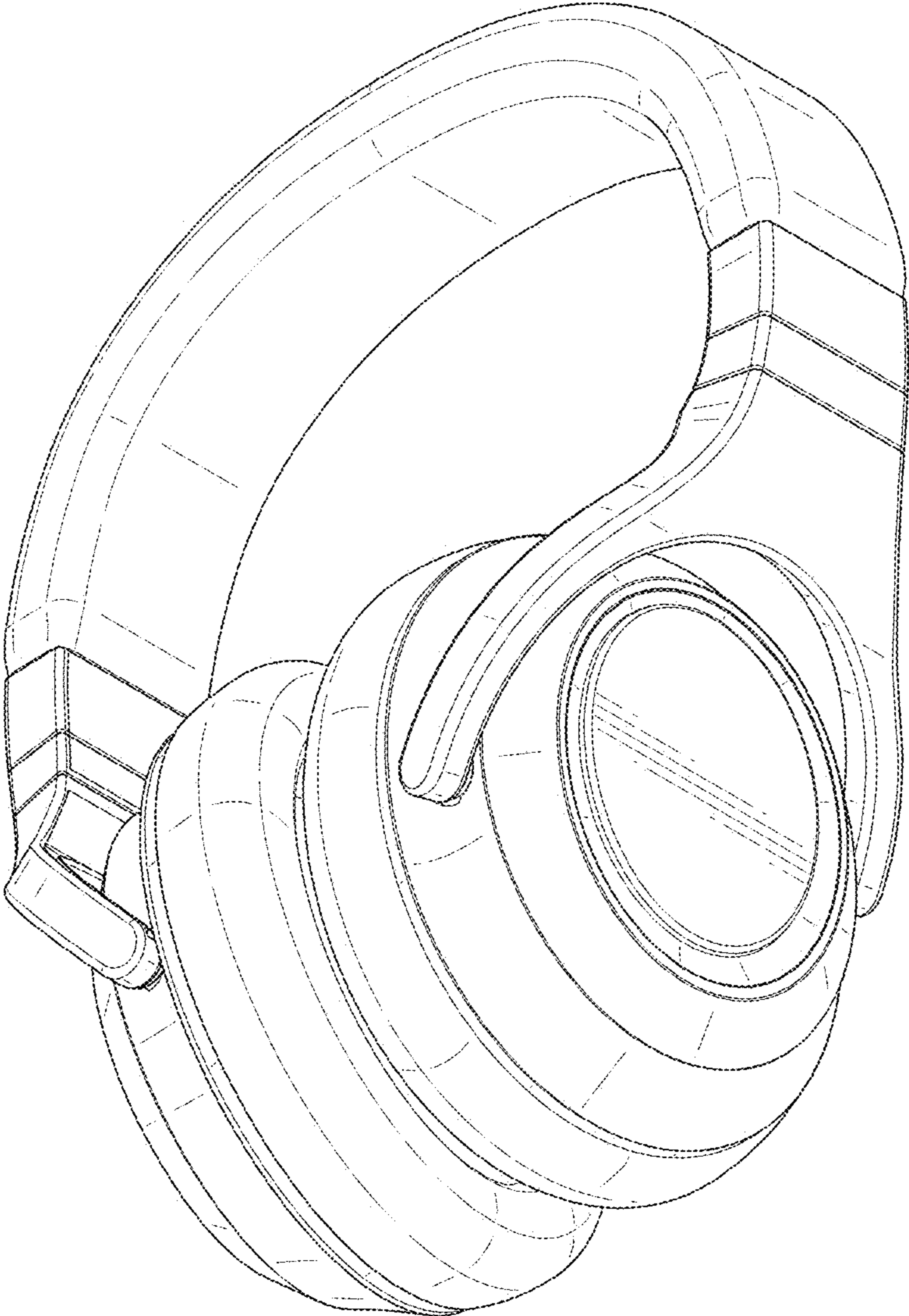


FIG.2

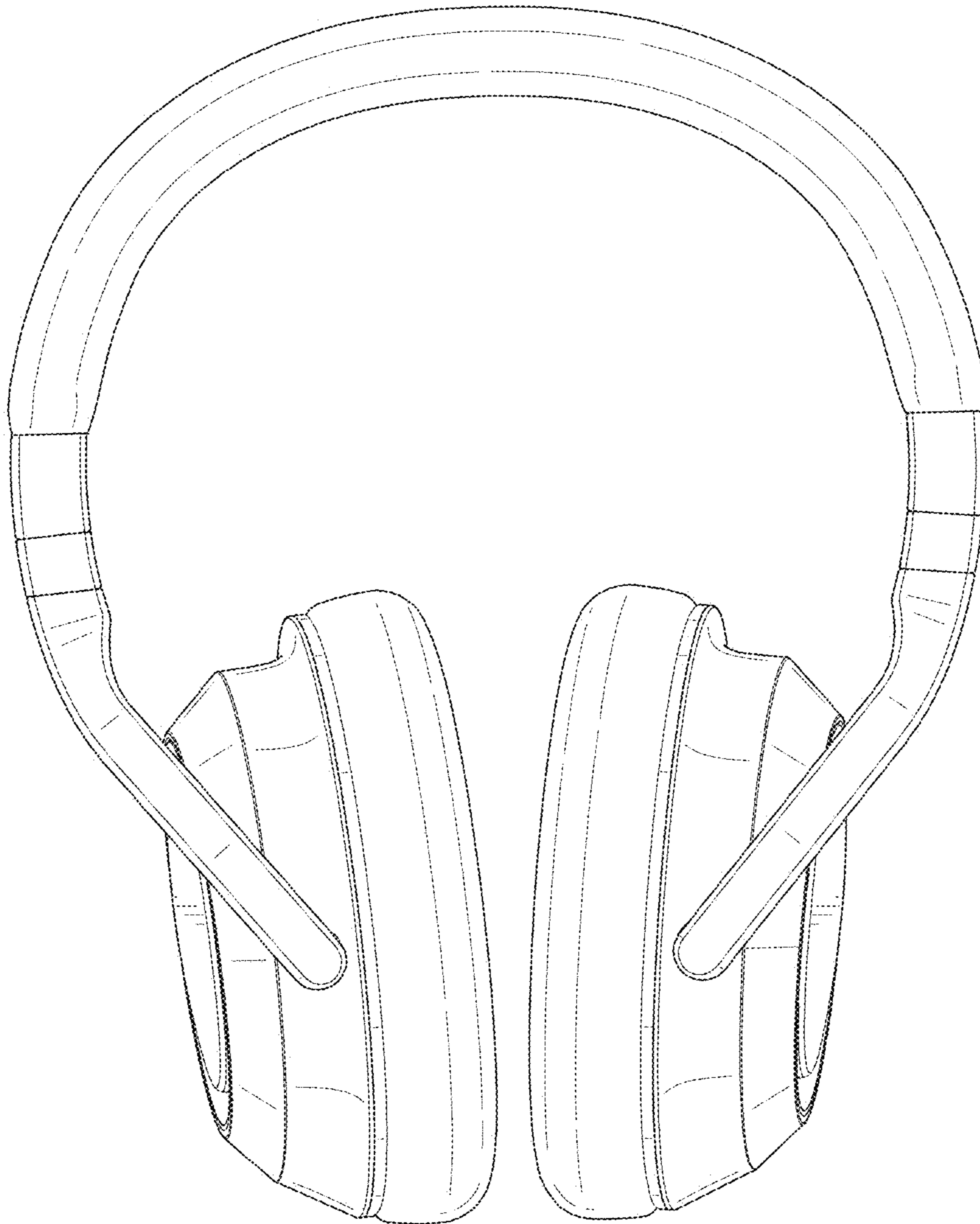


FIG.3

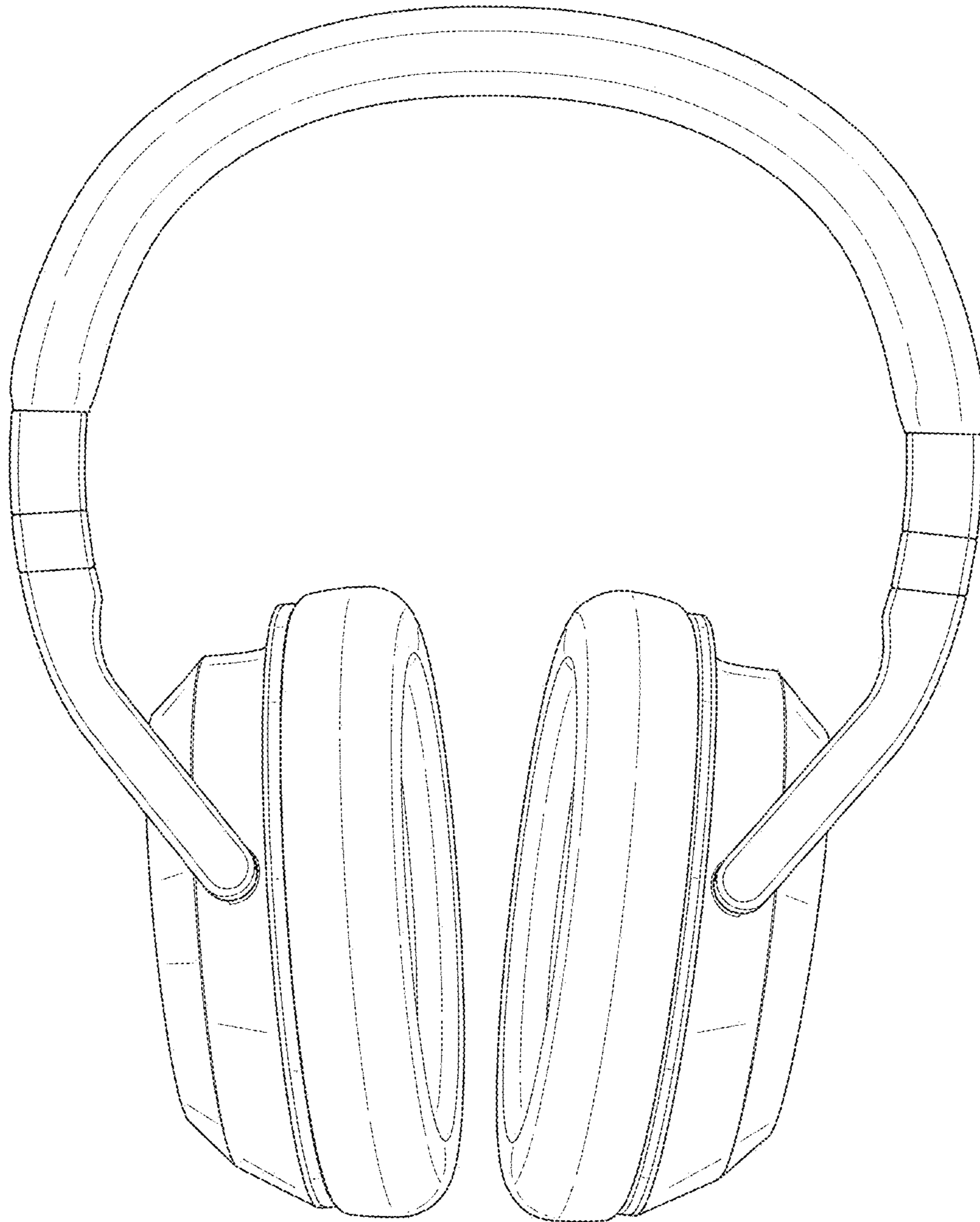


FIG.4

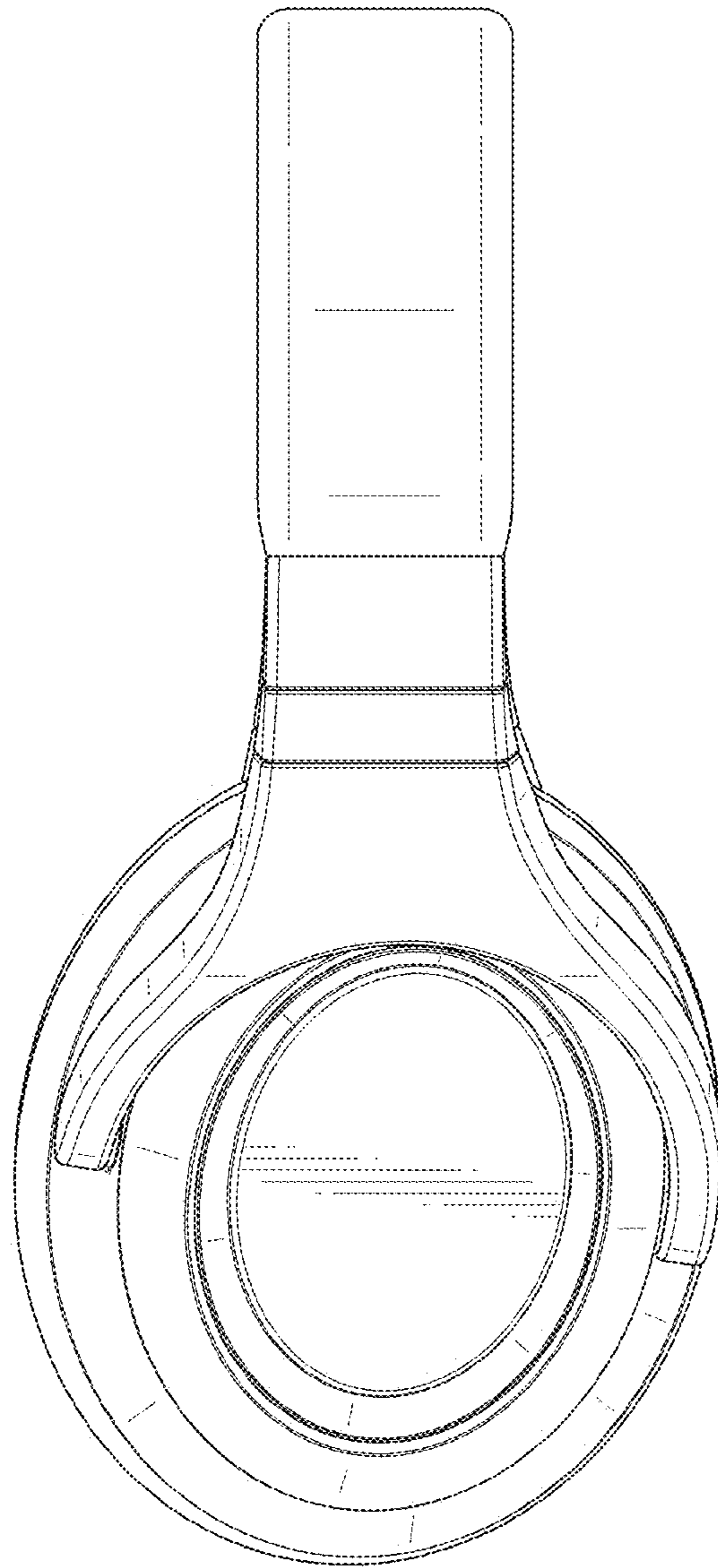


FIG.5

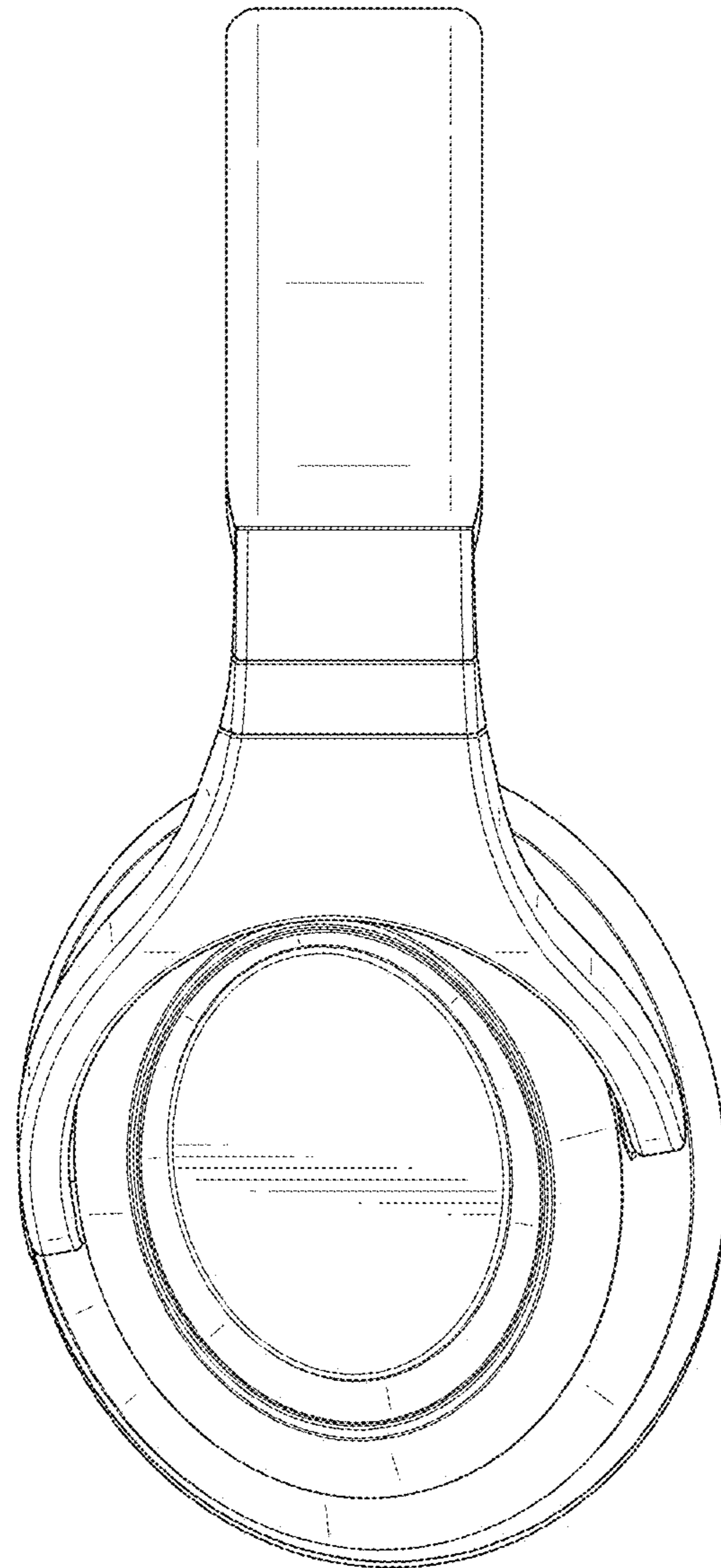


FIG. 6

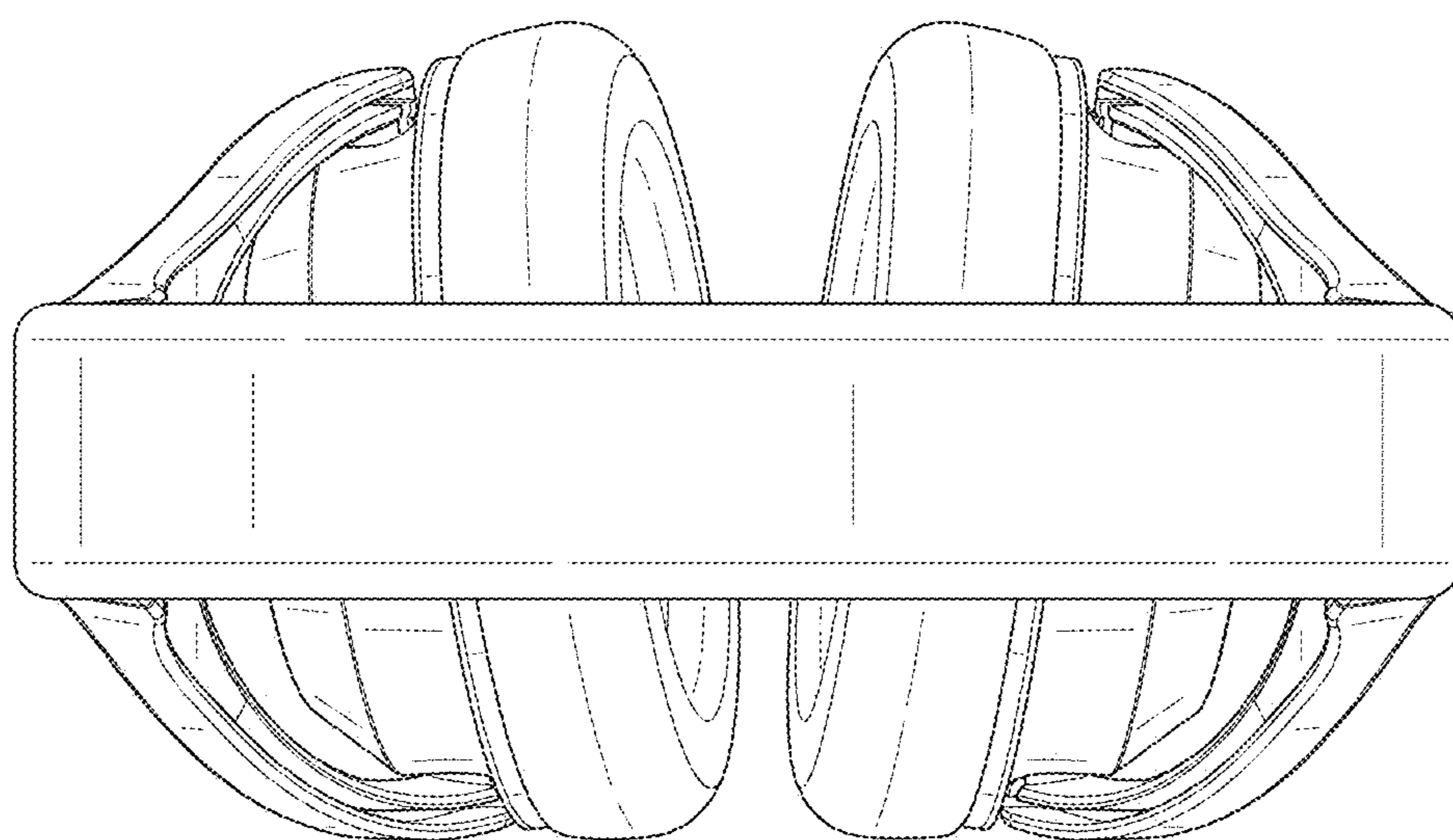


FIG. 7

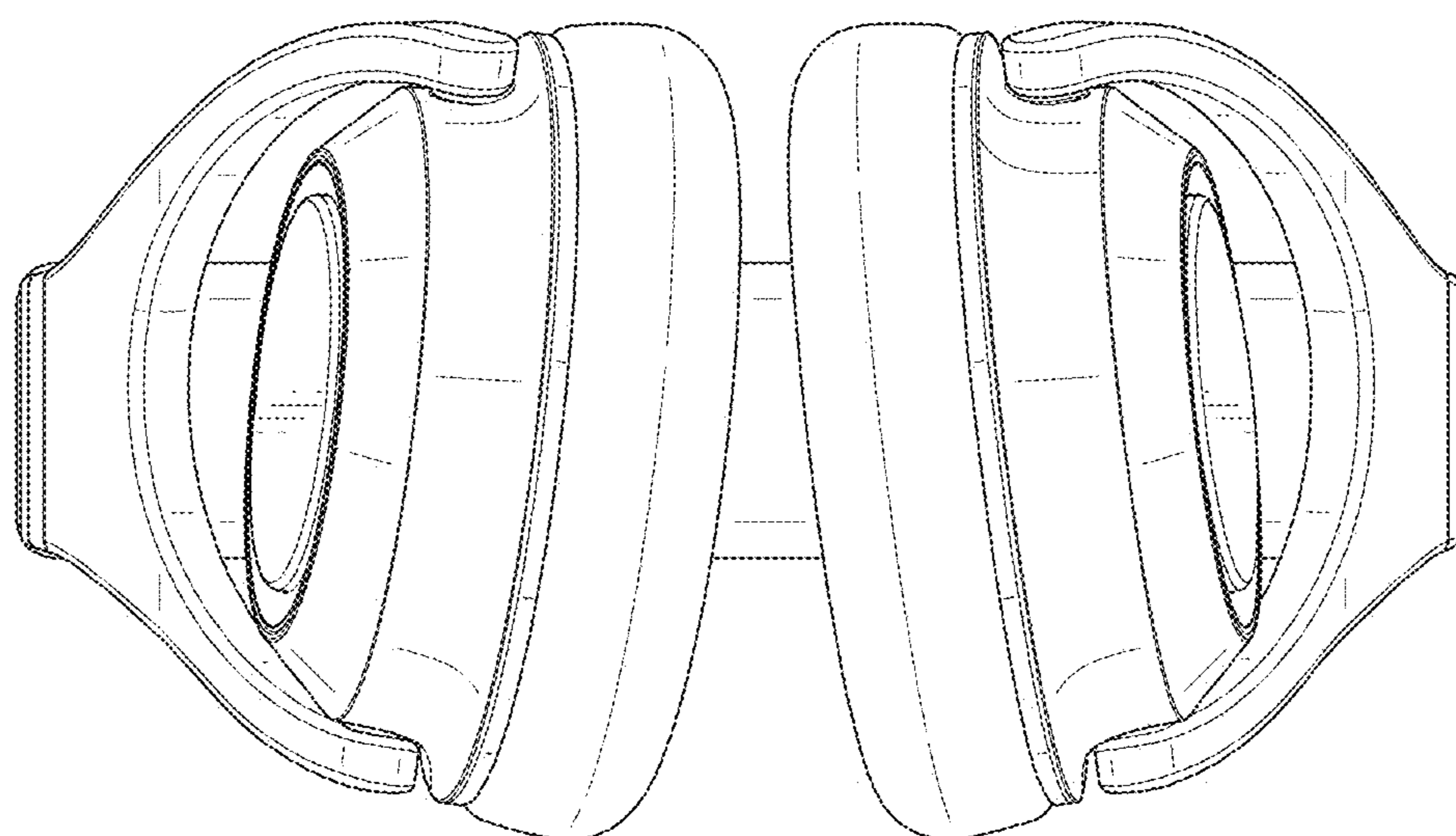


FIG. 8