



US00D879062S

(12) **United States Design Patent**
Nishizawa

(10) **Patent No.:** **US D879,062 S**

(45) **Date of Patent:** **** Mar. 24, 2020**

(54) **PORTABLE COMMUNICATION DEVICE**

(71) Applicant: **ICOM INCORPORATED**, Osaka-shi,
Osaka (JP)

(72) Inventor: **Haruki Nishizawa**, Osaka (JP)

(73) Assignee: **ICOM INCORPORATED**, Osaka-Shi
(JP)

(**) Term: **15 Years**

(21) Appl. No.: **29/673,141**

(22) Filed: **Dec. 12, 2018**

(30) **Foreign Application Priority Data**

Aug. 23, 2018 (JP) 2018-018320

(51) **LOC (12) Cl.** **14-03**

(52) **U.S. Cl.**
USPC **D14/137**

(58) **Field of Classification Search**
USPC D14/137, 138 R, 138 A, 138 AD
CPC . H04L 31/3833; H04B 1/3827; H04B 1/3855;
H04B 2001/3861; H04M 1/0202; H04M
1/03; H04M 1/035
See application file for complete search history.

(56) **References Cited**

U.S. PATENT DOCUMENTS

D602,893 S * 10/2009 Nishida D14/137
D778,251 S * 2/2017 Nishizawa D14/137

D797,069 S * 9/2017 Nishizawa D14/137
D810,040 S * 2/2018 Nakagawa D14/137
D842,830 S * 3/2019 Nishida D14/137
D846,521 S * 4/2019 Nakagawa D14/137
D853,345 S * 7/2019 Nishida D14/137

FOREIGN PATENT DOCUMENTS

JP 1535833 10/2015

* cited by examiner

Primary Examiner — Bridget L Eland

(74) *Attorney, Agent, or Firm* — Birch, Stewart, Kolasch
& Birch, LLP

(57) **CLAIM**

The ornamental design for a portable communication device, as shown and described.

DESCRIPTION

FIG. 1 is a perspective view of a portable communication device;

FIG. 2 is a front view thereof;

FIG. 3 is a rear view thereof;

FIG. 4 is a left side view thereof;

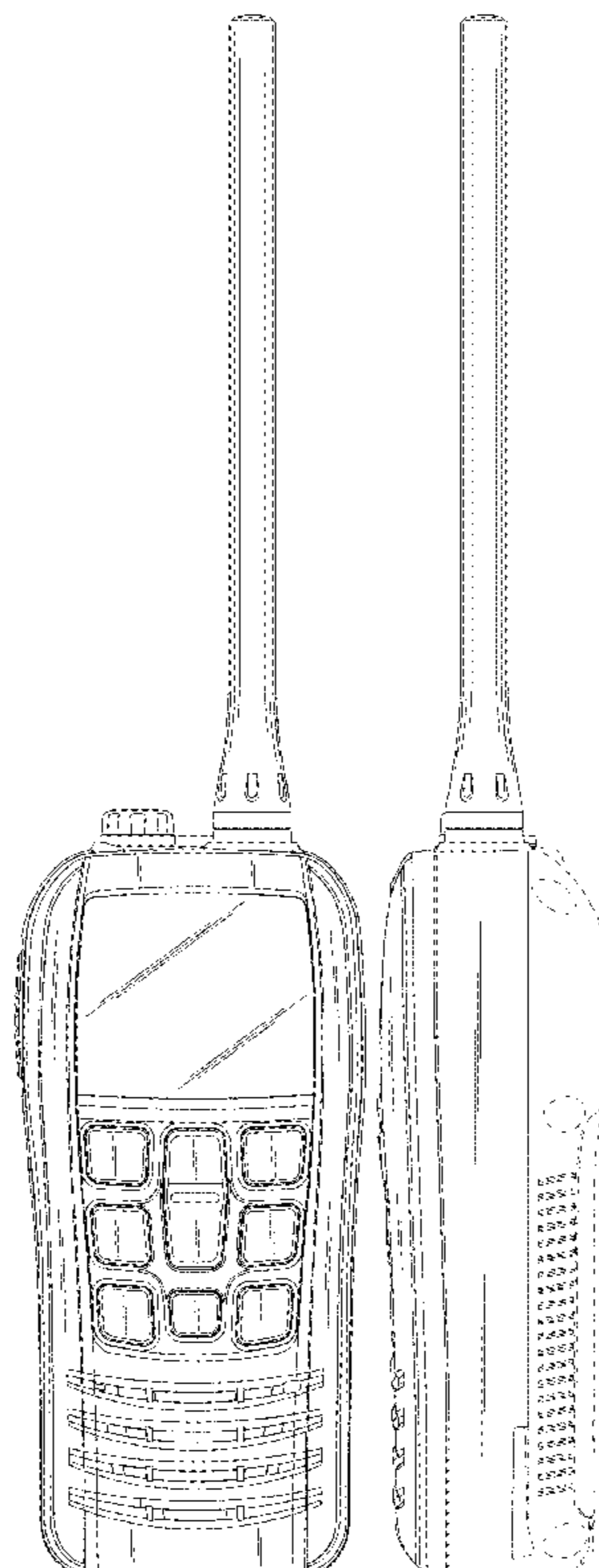
FIG. 5 is a right side view thereof;

FIG. 6 is a top view thereof; and,

FIG. 7 is a bottom view thereof.

The dot-dash broken lines shown in the view represent the bounds of the claimed design while all other broken lines are directed to environment and are for illustrative purposes only; the broken lines form no part of the claimed design.

1 Claim, 4 Drawing Sheets



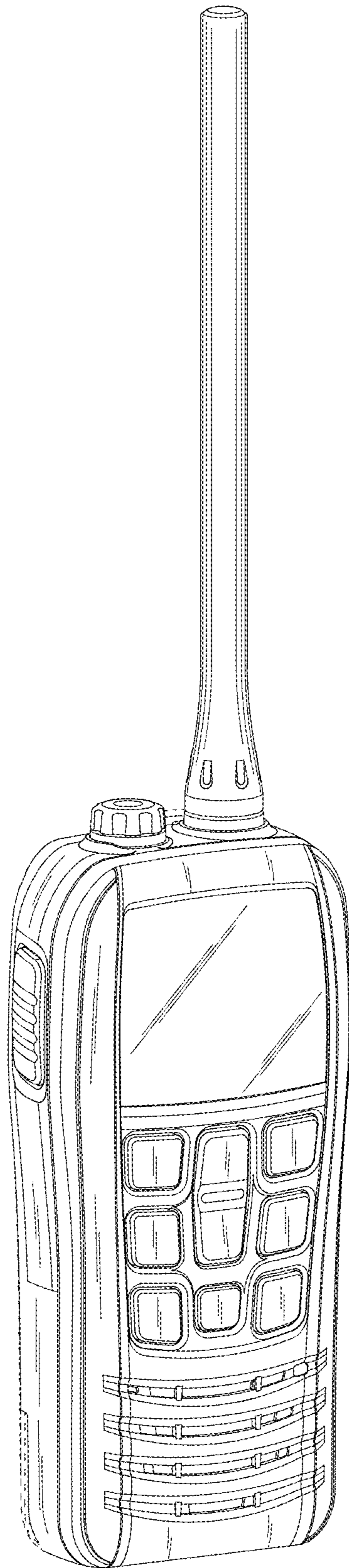


FIG. 1

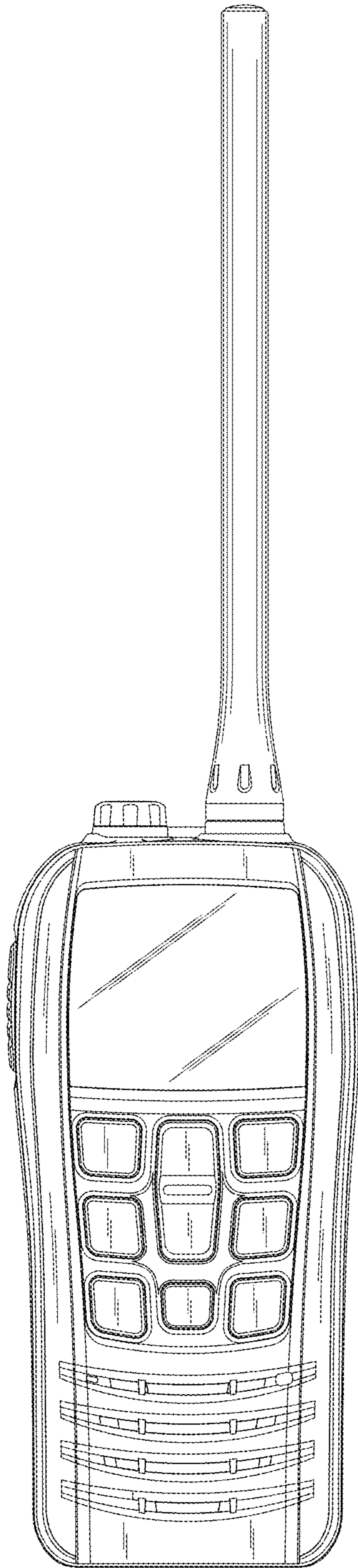


FIG. 2

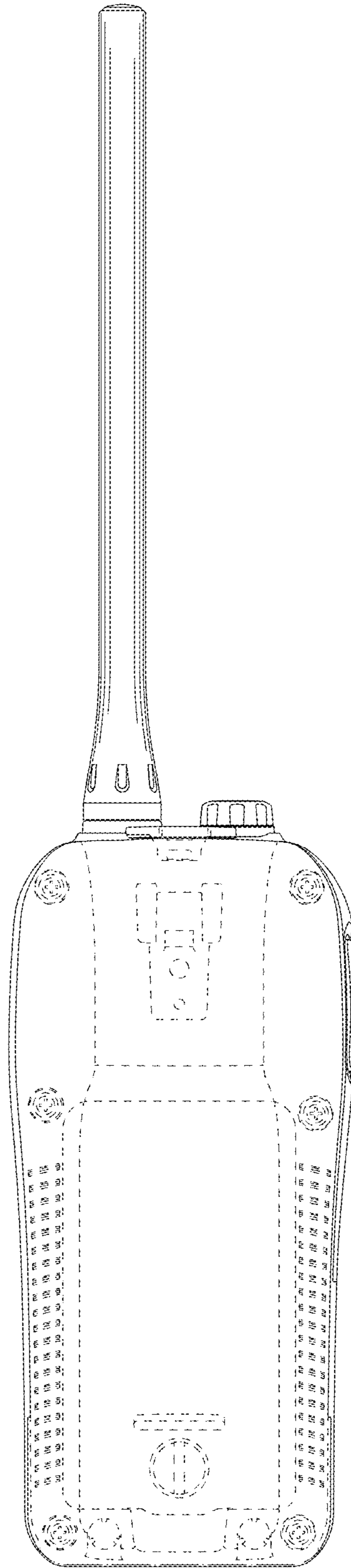


FIG. 3

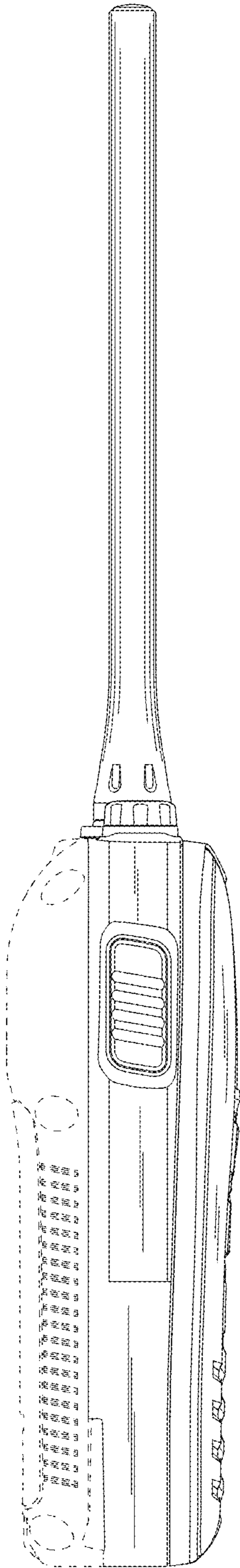


FIG. 4

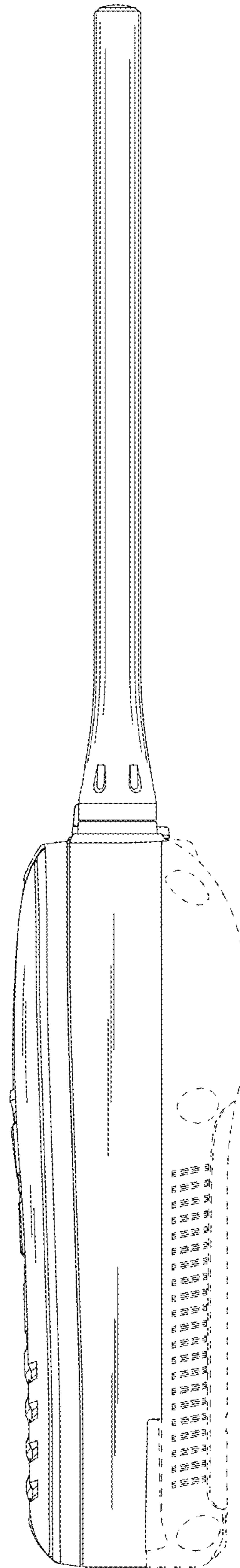


FIG. 5

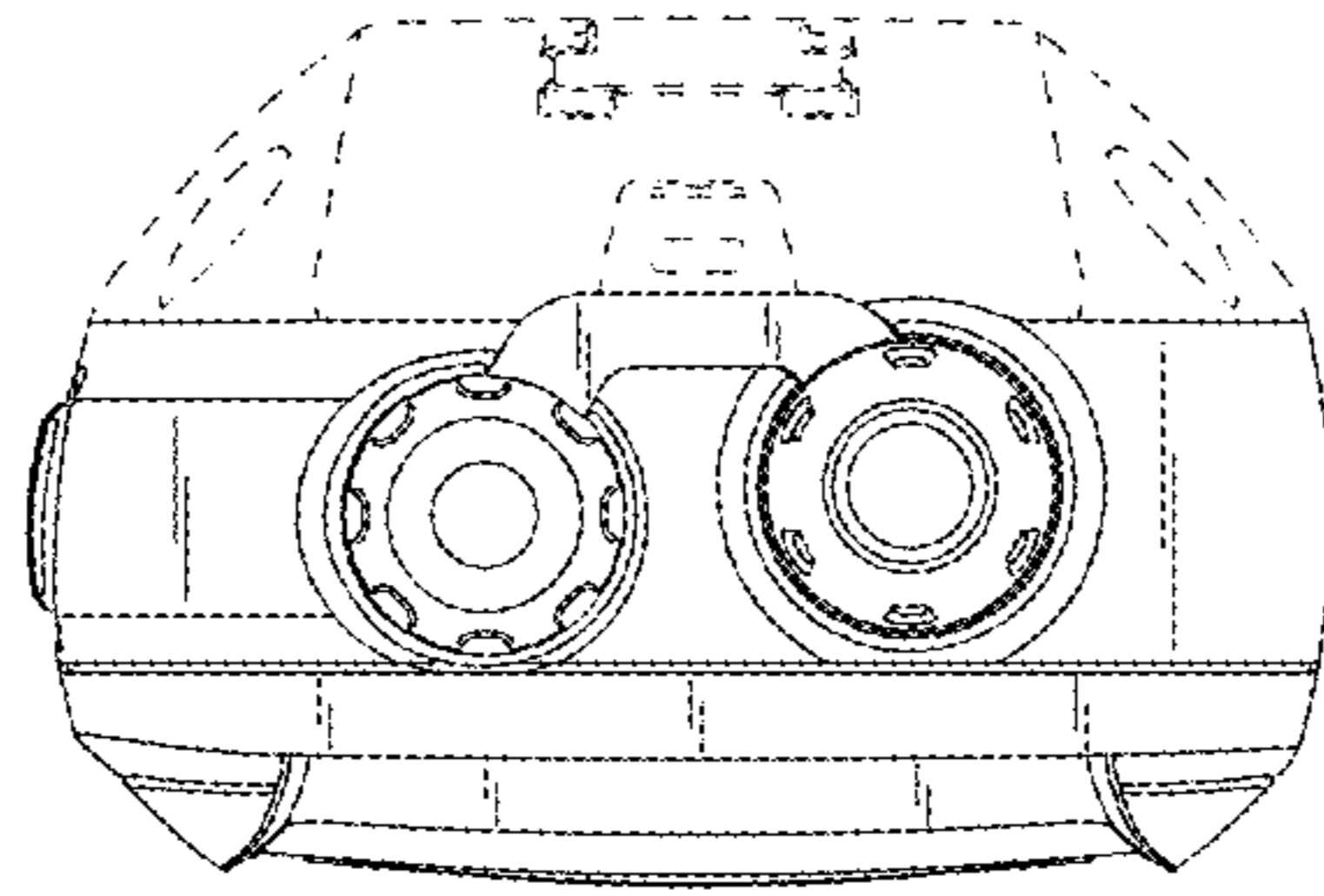


FIG. 6

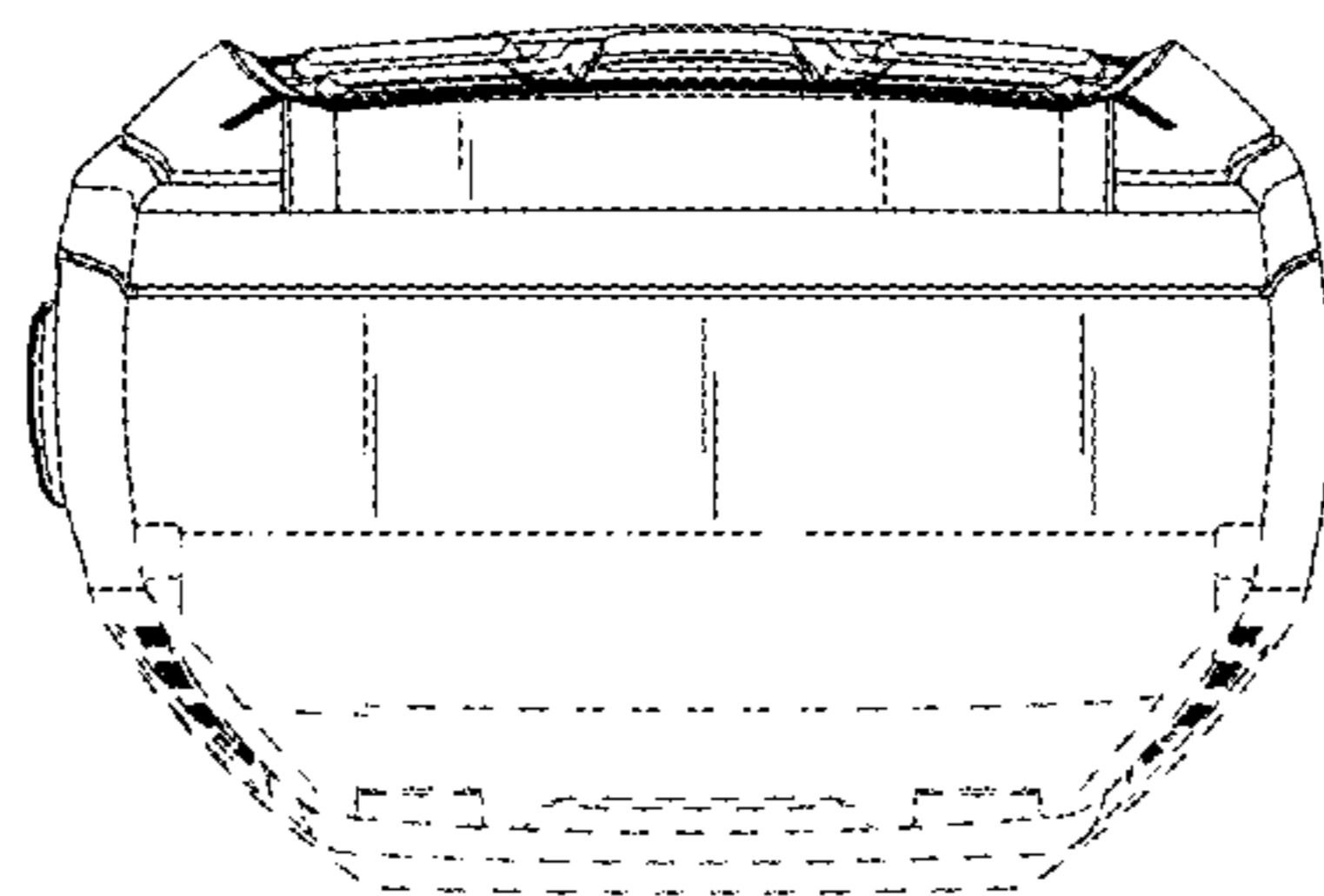


FIG. 7