



US00D879061S

(12) **United States Design Patent**
Jiang et al.

(10) **Patent No.:** **US D879,061 S**
(45) **Date of Patent:** **** Mar. 24, 2020**

(54) **WIRELESS MEDICAL COMMUNICATOR**

(71) Applicant: **VOCERA COMMUNICATIONS, INC.**, San Jose, CA (US)

(72) Inventors: **Peng Jiang**, San Jose, CA (US);
Christopher Marzano, San Jose, CA (US);
Prakash Guda, Fremont, CA (US);
Kenneth S. Mak, San Francisco, CA (US)

(73) Assignee: **VOCERA COMMUNICATIONS, INC.**, San Jose, CA (US)

(**) Term: **15 Years**

(21) Appl. No.: **29/672,576**

(22) Filed: **Dec. 6, 2018**

(51) **LOC (12) Cl.** **14-03**

(52) **U.S. Cl.**
USPC **D14/137**

(58) **Field of Classification Search**
USPC D14/138 G, 138 AD, 248, 138 R,
D14/138 AA, 138 AB, 138 AC, 138 C,
D14/371, 374, 247, 137; D24/186
CPC H04M 1/02; H04M 1/0279; H04M 1/0202;
H04M 1/0283; H04M 1/0268
See application file for complete search history.

(56) **References Cited**

U.S. PATENT DOCUMENTS

D590,800 S *	4/2009	Liu	D14/138 AD
D597,516 S *	8/2009	Kim	D14/138 AD
D597,518 S *	8/2009	Asmussen	D14/138 AD
D601,532 S *	10/2009	Park	D14/138 AD
D601,538 S *	10/2009	Hong	D14/138 AD
D603,822 S *	11/2009	Ho	D14/138 AD
D605,155 S *	12/2009	Cha	D14/138 AD
D606,659 S *	12/2009	Kiani	D24/186
D611,446 S *	3/2010	Ho	D14/138 AD
D611,923 S *	3/2010	Hong	D14/138 AD

D613,709 S *	4/2010	Kim	D14/138 AD
D615,438 S *	5/2010	Goetzl	D10/104.1
D617,760 S *	6/2010	Lee	D14/138 AD
D618,653 S *	6/2010	Kim	D14/138 AD
D621,515 S *	8/2010	Chua	D24/186
D623,162 S *	9/2010	Heo	D14/138 AD
D660,268 S *	5/2012	Wang	D14/138 G
D660,276 S *	5/2012	Kim	D14/138 AD
D667,809 S *	9/2012	Oh	D14/138 G
D679,673 S *	4/2013	Wheaton	D14/137

(Continued)

Primary Examiner — Bridget L Eland

(74) *Attorney, Agent, or Firm* — The Marbury Law Group, PLLC

(57) **CLAIM**

The ornamental design for a wireless medical communicator, as shown and described.

DESCRIPTION

FIG. 1 is a left/front side perspective view of the wireless medical communicator design.

FIG. 2 is right/back side perspective view of the wireless medical communicator design.

FIG. 3 is a front side view of the wireless medical communicator design.

FIG. 4 is a back side view of the wireless medical communicator design.

FIG. 5 is a right side view of the wireless medical communicator design.

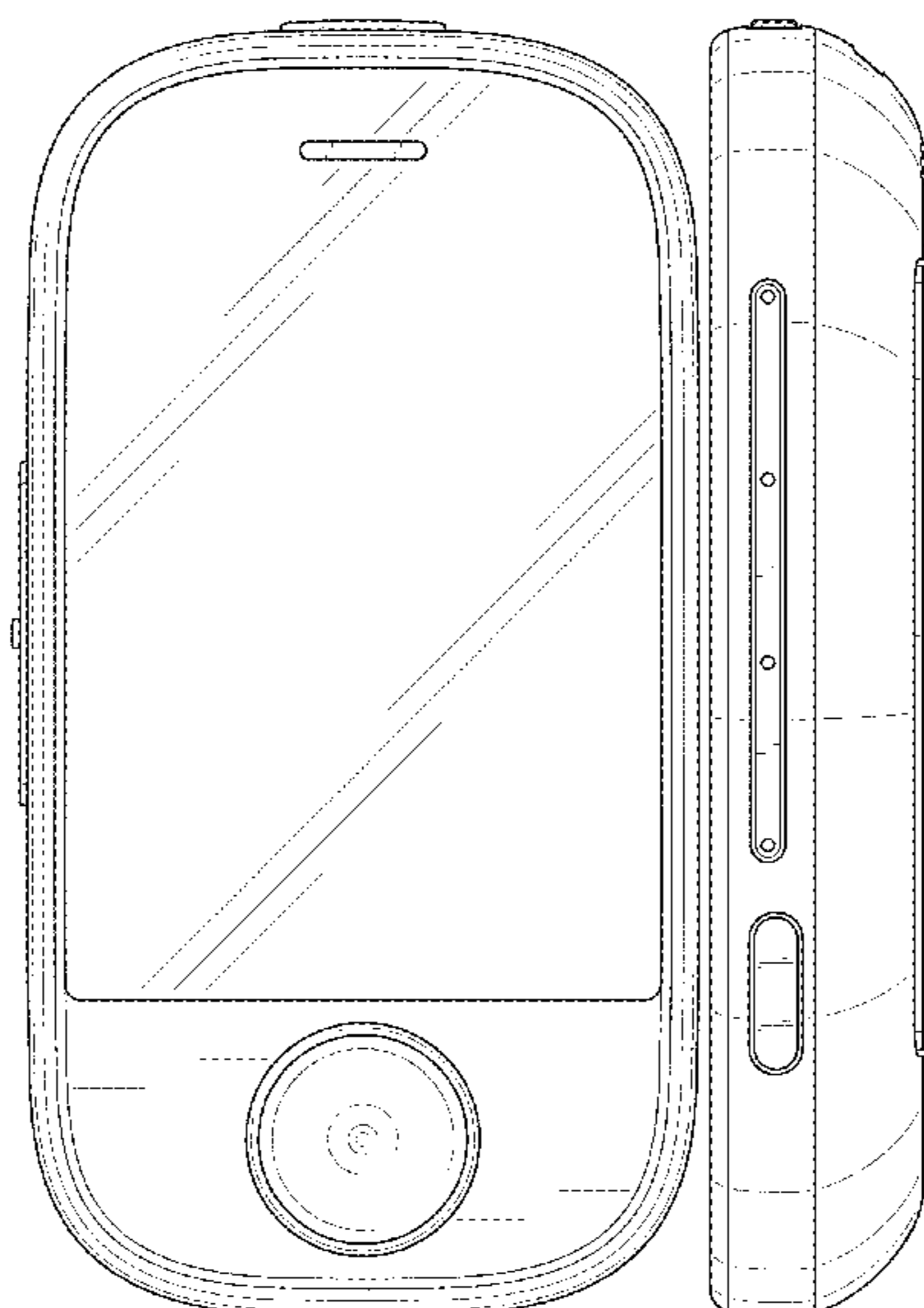
FIG. 6 is a left side view of the wireless medical communicator design.

FIG. 7 is a top side view of the wireless medical communicator design; and,

FIG. 8 is a bottom side view of the wireless medical communicator design.

The broken lines shown in FIGS. 1-8 represent portions of the wireless medical communicator that form no part of the claim.

1 Claim, 6 Drawing Sheets



(56)

References Cited

U.S. PATENT DOCUMENTS

D791,952 S	*	7/2017	Florescu	D24/169
D822,216 S	*	7/2018	Barker	D24/186
D825,061 S	*	8/2018	Parsons	D24/186
D830,534 S	*	10/2018	Lindner Landerstam ...	D24/107
D833,624 S	*	11/2018	DeJong	D24/186
D864,138 S	*	10/2019	Attwood	D14/137

* cited by examiner

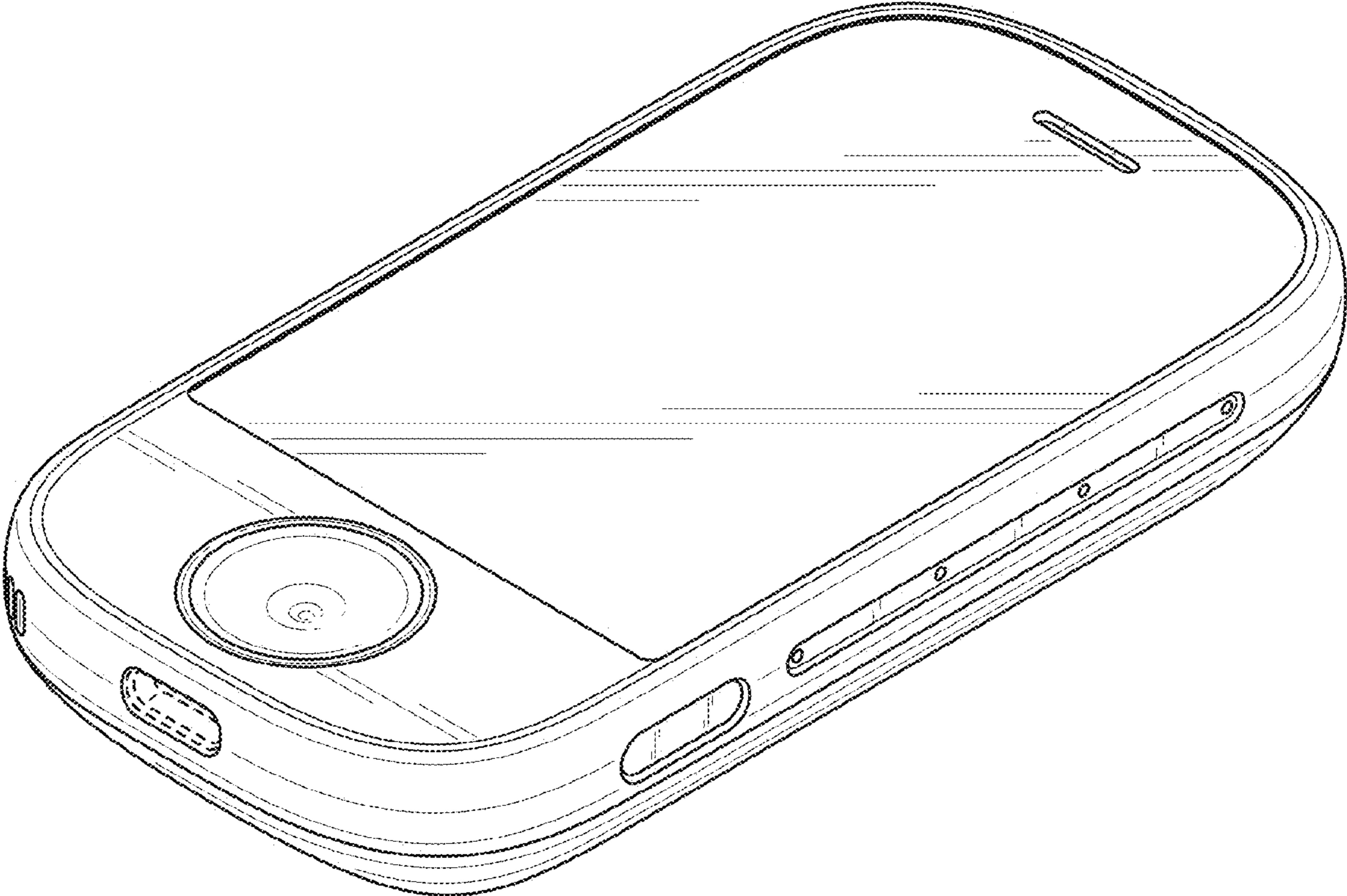


FIG. 1

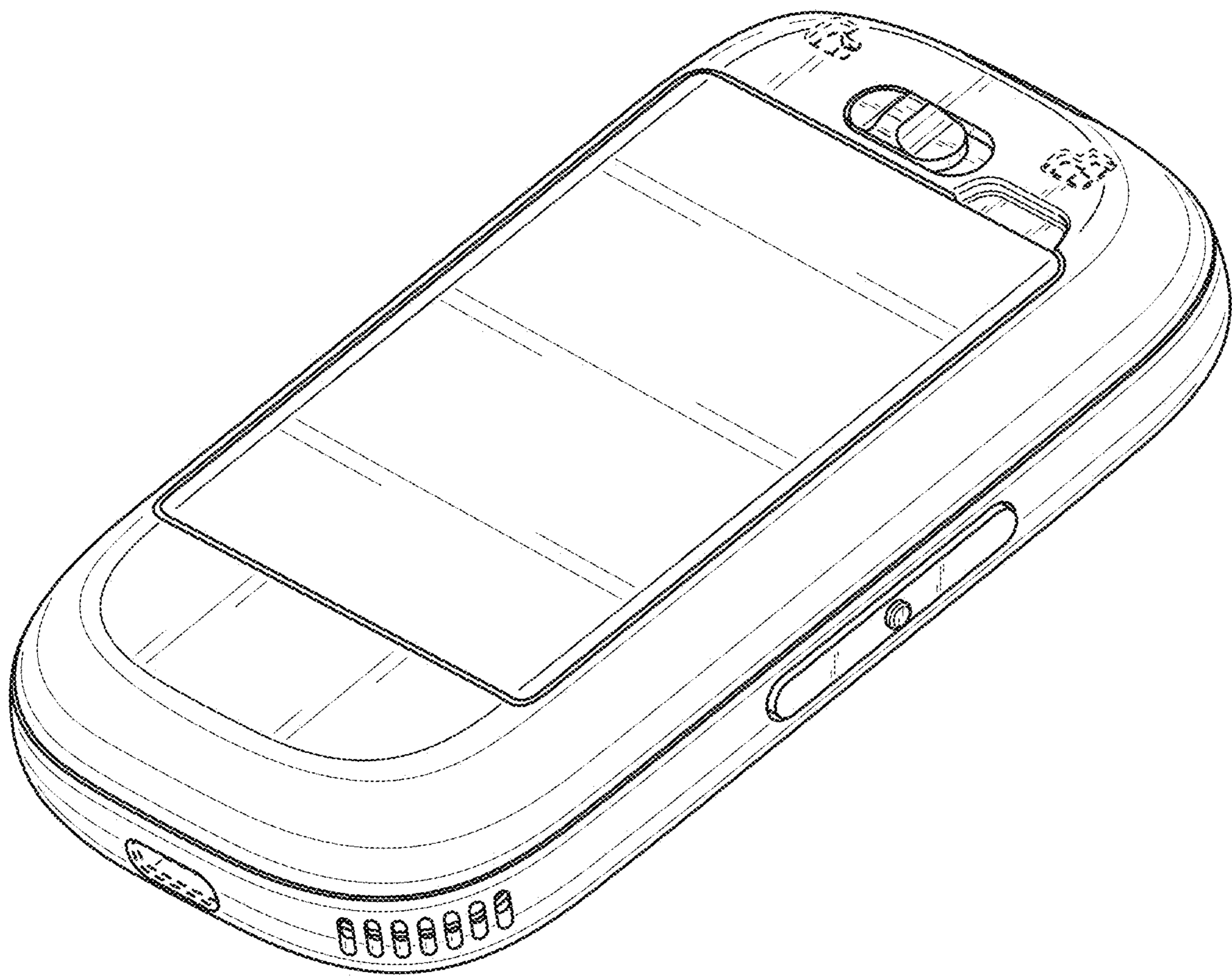


FIG. 2

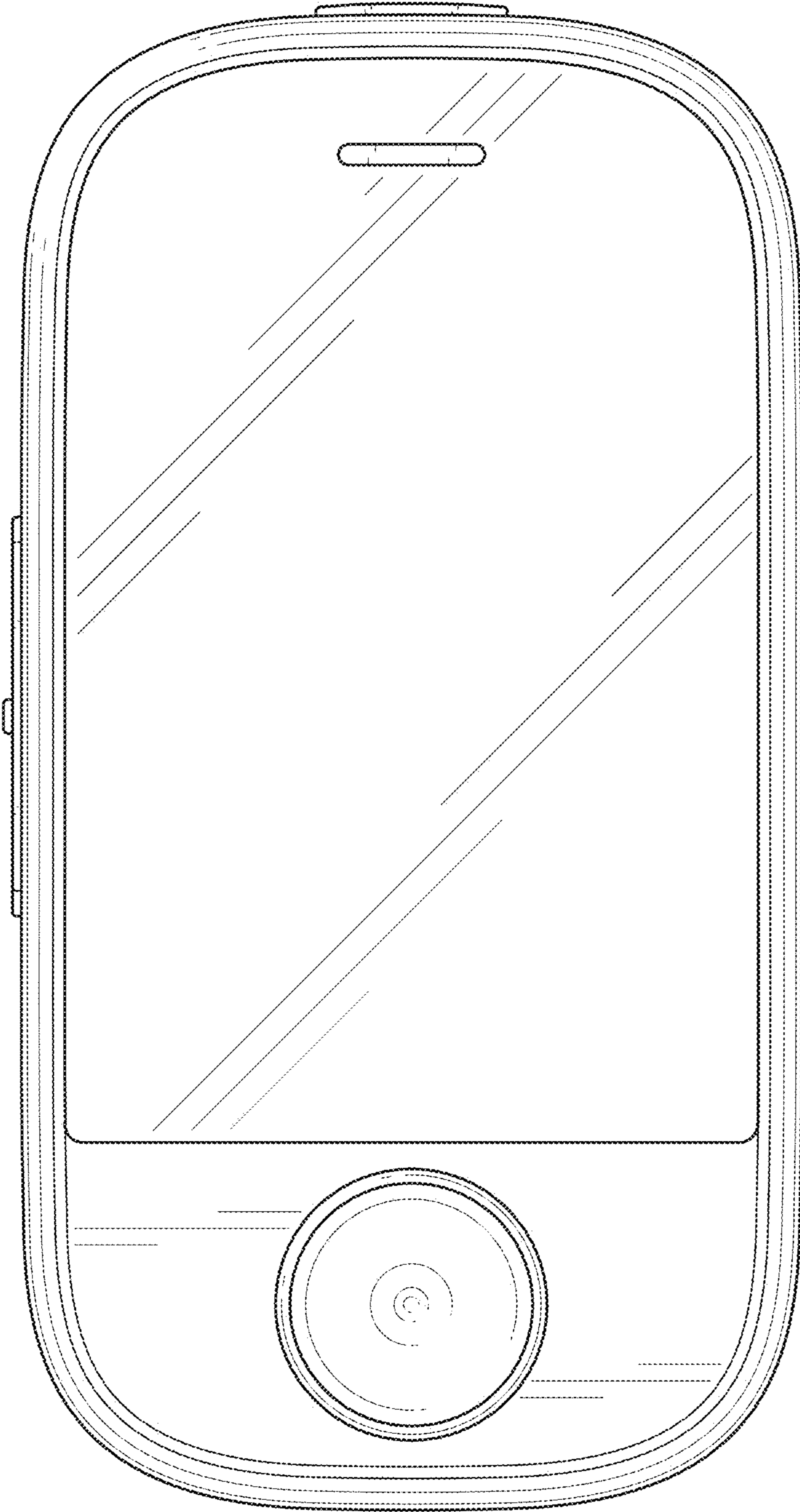


FIG. 3

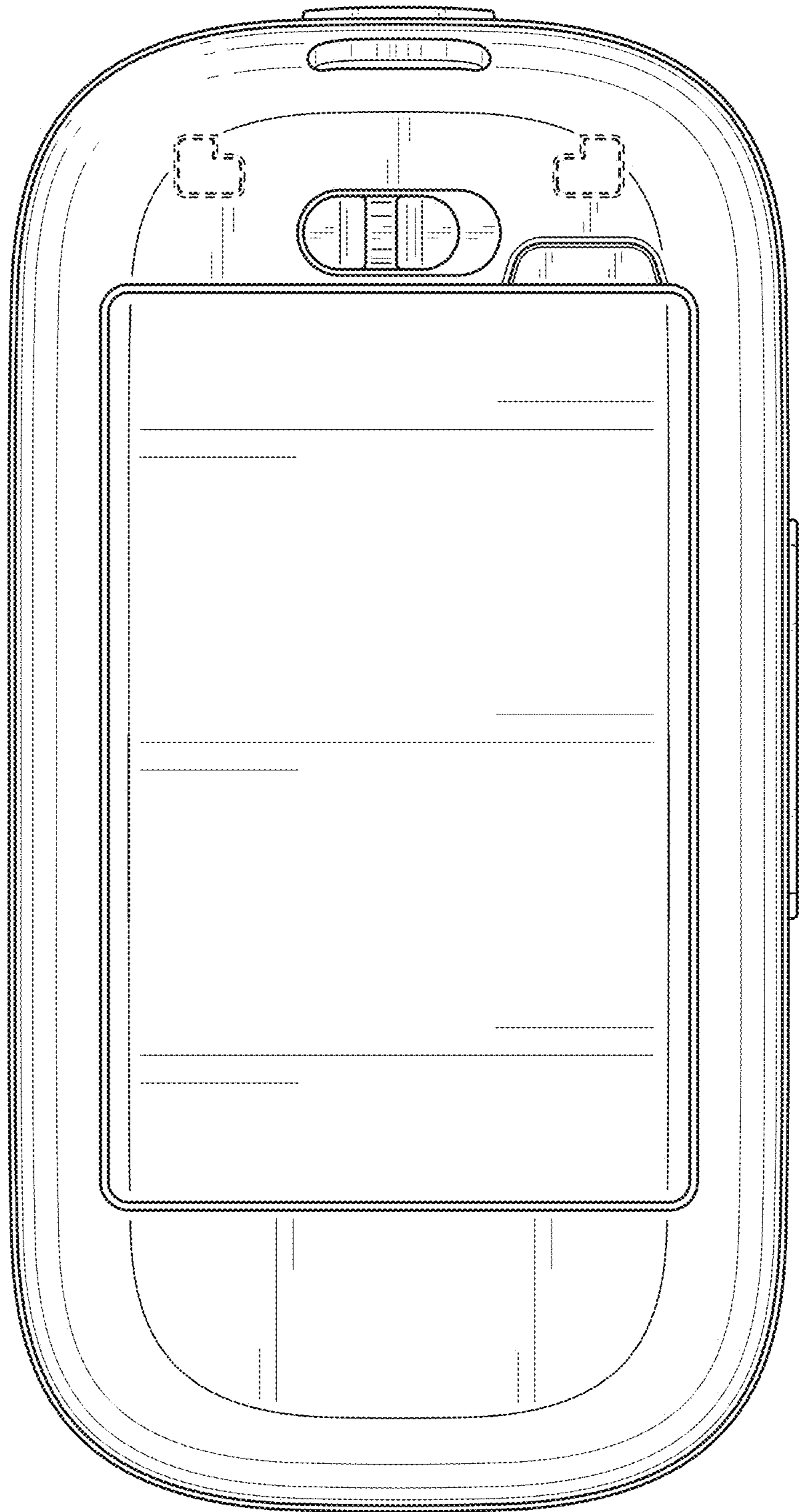


FIG. 4

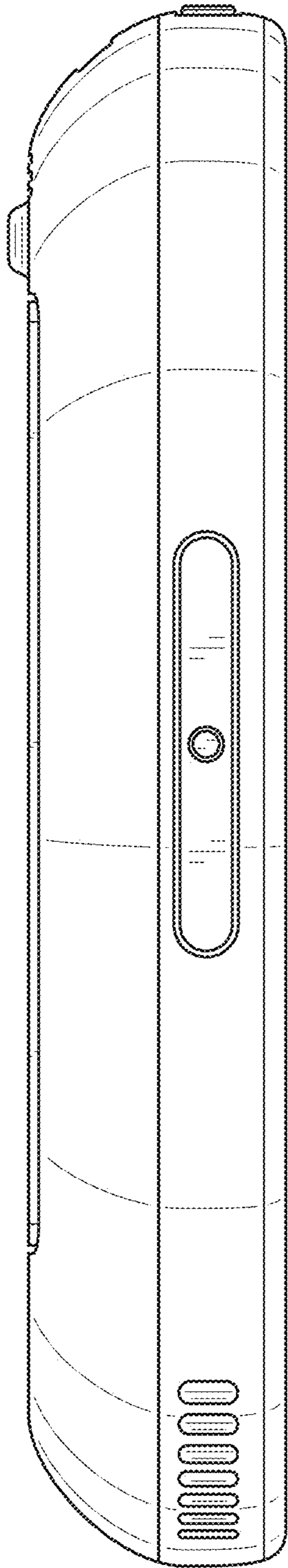


FIG. 5

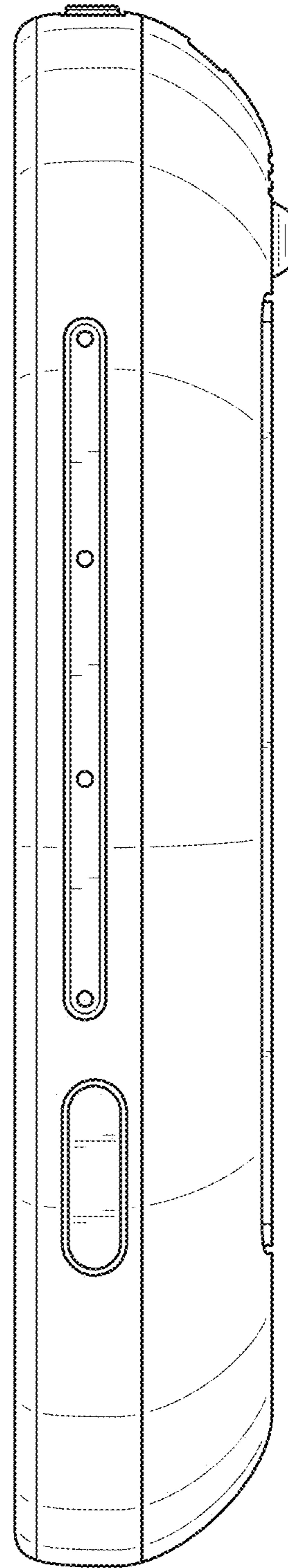


FIG. 6

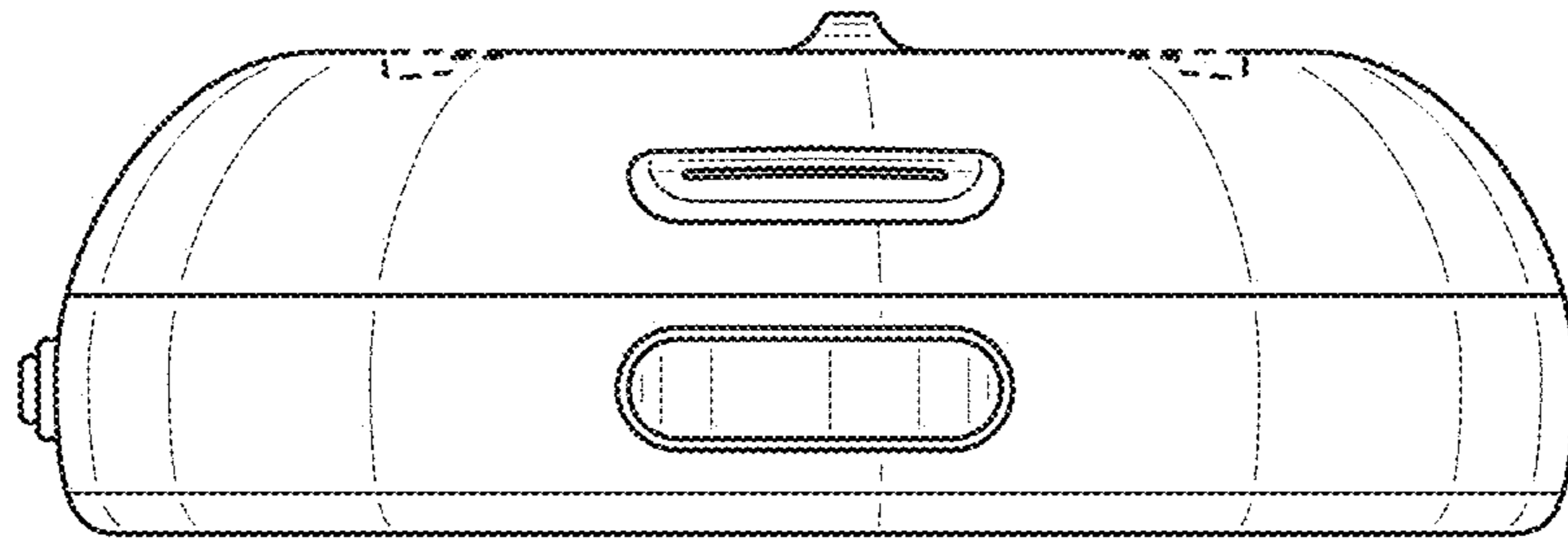


FIG. 7

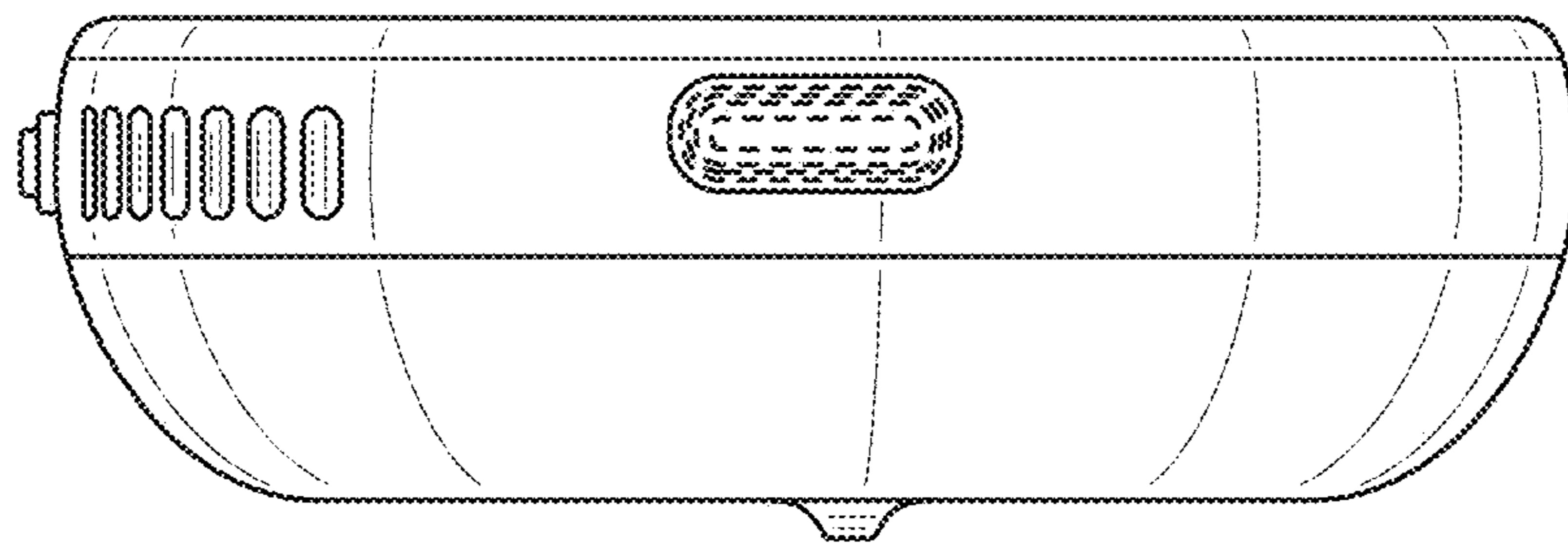


FIG. 8