



US00D879056S

(12) **United States Design Patent**
Telefus

(10) **Patent No.:** **US D879,056 S**
(45) **Date of Patent:** **** Mar. 24, 2020**

- (54) **ELECTRICAL OUTLET DONGLE**
- (71) Applicant: **Mark Telefus**, Orinda, CA (US)
- (72) Inventor: **Mark Telefus**, Orinda, CA (US)
- (**) Term: **15 Years**
- (21) Appl. No.: **29/647,175**
- (22) Filed: **May 10, 2018**
- (51) **LOC (12) Cl.** **13-99**
- (52) **U.S. Cl.**
USPC **D13/199**
- (58) **Field of Classification Search**
USPC D13/107, 108, 110, 123, 133,
D13/137.1-137.4, 138.1-138.2,
D13/139.1-139.8, 152, 154, 184, 147,
D13/199
CPC H01R 11/00; H01R 9/00; H01R 13/00;
H01R 13/04; H01R 13/10; H01R
13/6666; H01R 13/6675; H01R 25/00;
H01R 25/006; H01H 2207/00; H01H
2207/022
See application file for complete search history.

(56) **References Cited**

U.S. PATENT DOCUMENTS

- 6,843,680 B2 * 1/2005 Gorman H01R 4/44
439/535
- 7,045,723 B1 * 5/2006 Projkovski H01R 13/7035
200/51.09
- D558,683 S * 1/2008 Pape D13/158
- D568,253 S * 5/2008 Gorman D13/146
- 7,367,121 B1 * 5/2008 Gorman H01R 13/652
174/53

- D638,355 S * 5/2011 Chen D13/110
- 8,124,888 B2 2/2012 Etemad-Moghadam et al.
- 9,366,702 B2 6/2016 Steele et al.
- 9,439,318 B2 9/2016 Chen
- 9,502,832 B1 11/2016 Ullahkhan et al.
- 9,509,083 B2 * 11/2016 Yang H01R 13/5202
- D814,424 S * 4/2018 DeCosta D13/152
- 9,991,633 B2 * 6/2018 Robinet H01R 13/6275
- 2010/0261373 A1 10/2010 Roneker

* cited by examiner

Primary Examiner — Rosemary K Tarcza

Assistant Examiner — Christy M Nemeth

(74) *Attorney, Agent, or Firm* — Mark Wisnosky

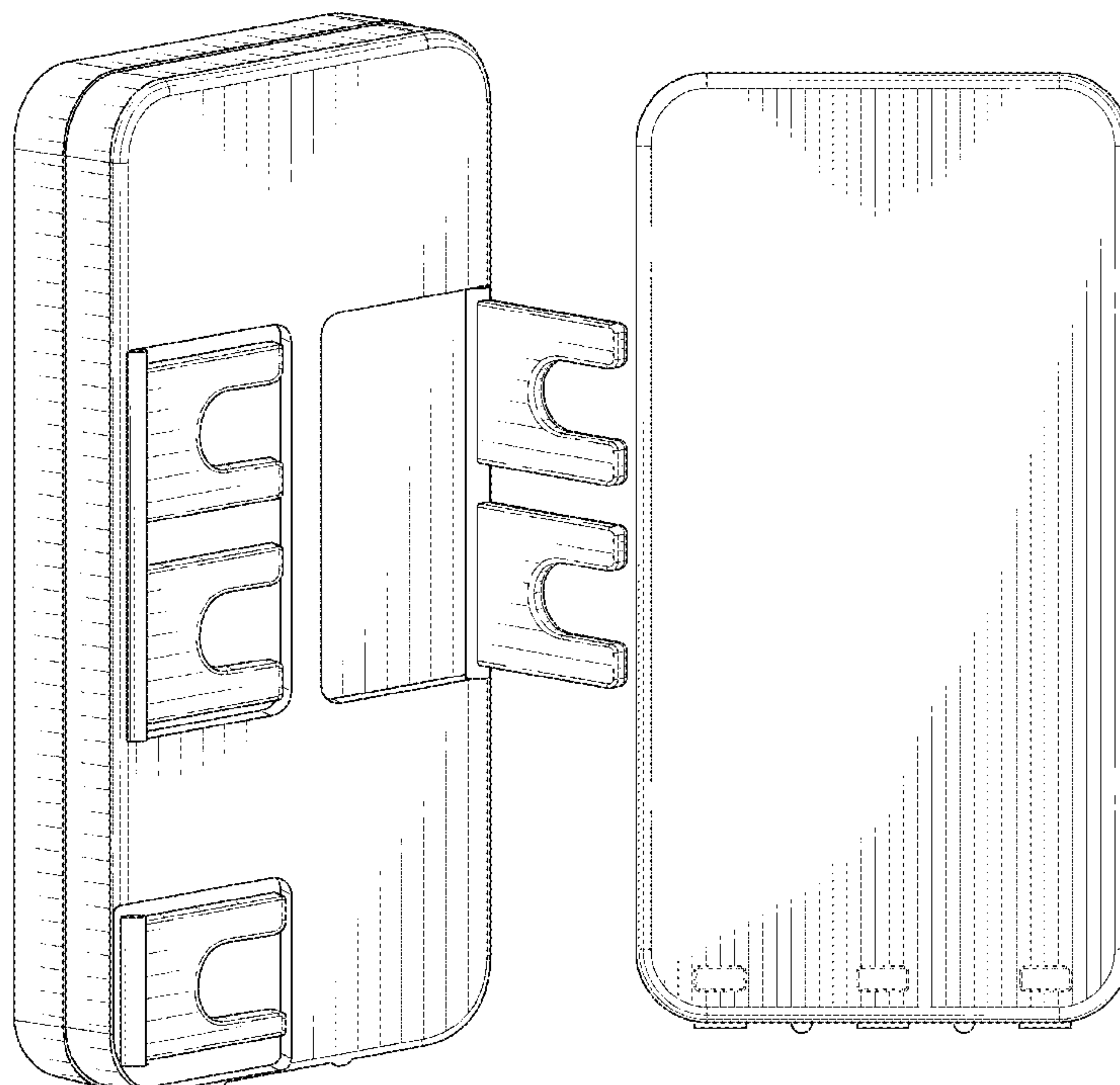
(57) **CLAIM**

The ornamental design for an electrical outlet dongle, as shown and described.

DESCRIPTION

FIG. 1 is a back perspective view of an electrical outlet dongle.
 FIG. 2 is a back elevation view of the electrical outlet dongle.
 FIG. 3 is a front elevation view of the electrical outlet dongle.
 FIG. 4 is a right side view of the electrical outlet dongle.
 FIG. 5 is a left side view of the electrical outlet dongle.
 FIG. 6 is a top view of the electrical outlet dongle; and,
 FIG. 7 is a bottom view of the electrical outlet dongle.
 The broken lines in the drawings are for the purpose of illustrating portions of the electrical outlet dongle that form no part of the claimed design.

1 Claim, 7 Drawing Sheets



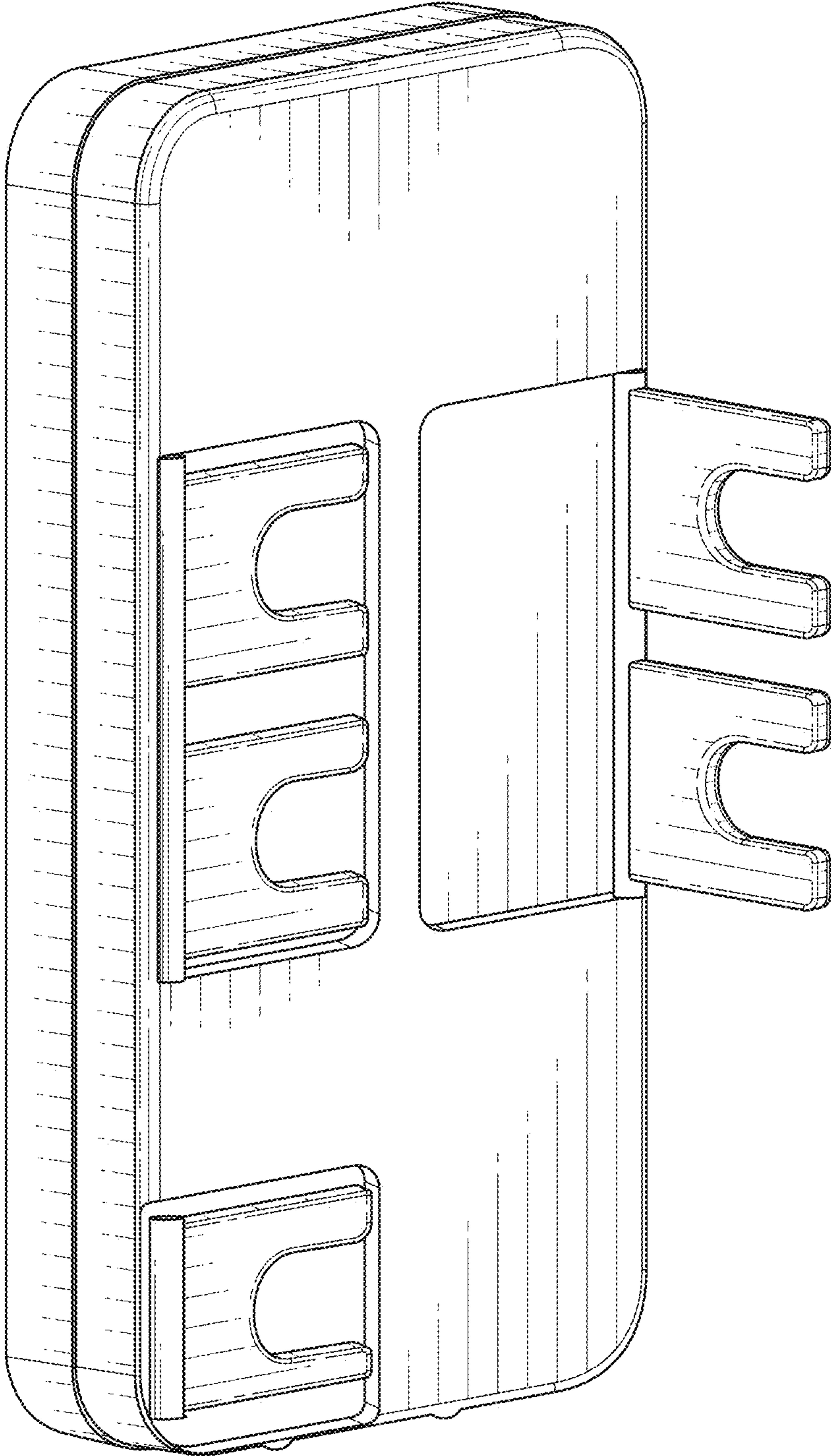


FIG. 1

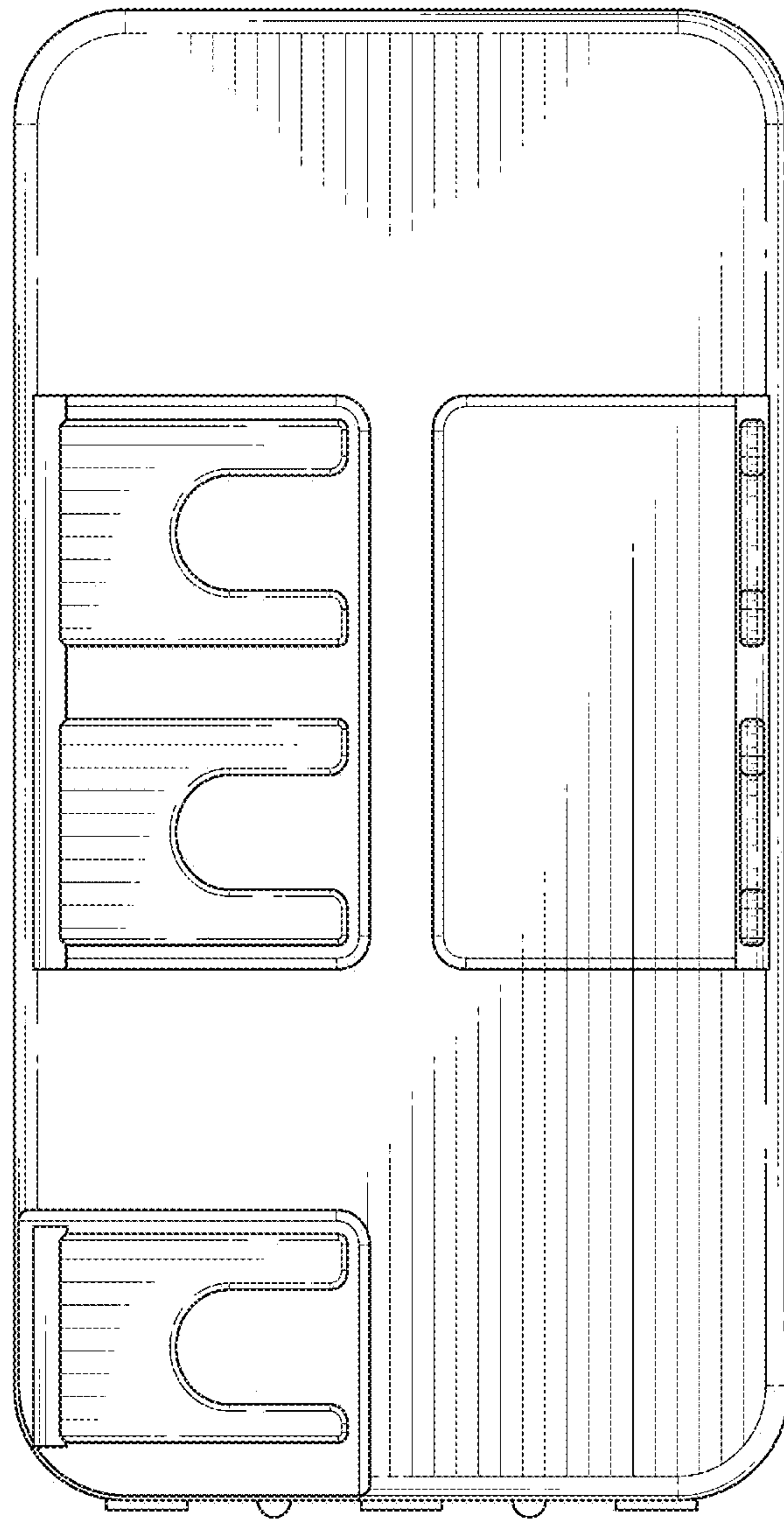


FIG. 2

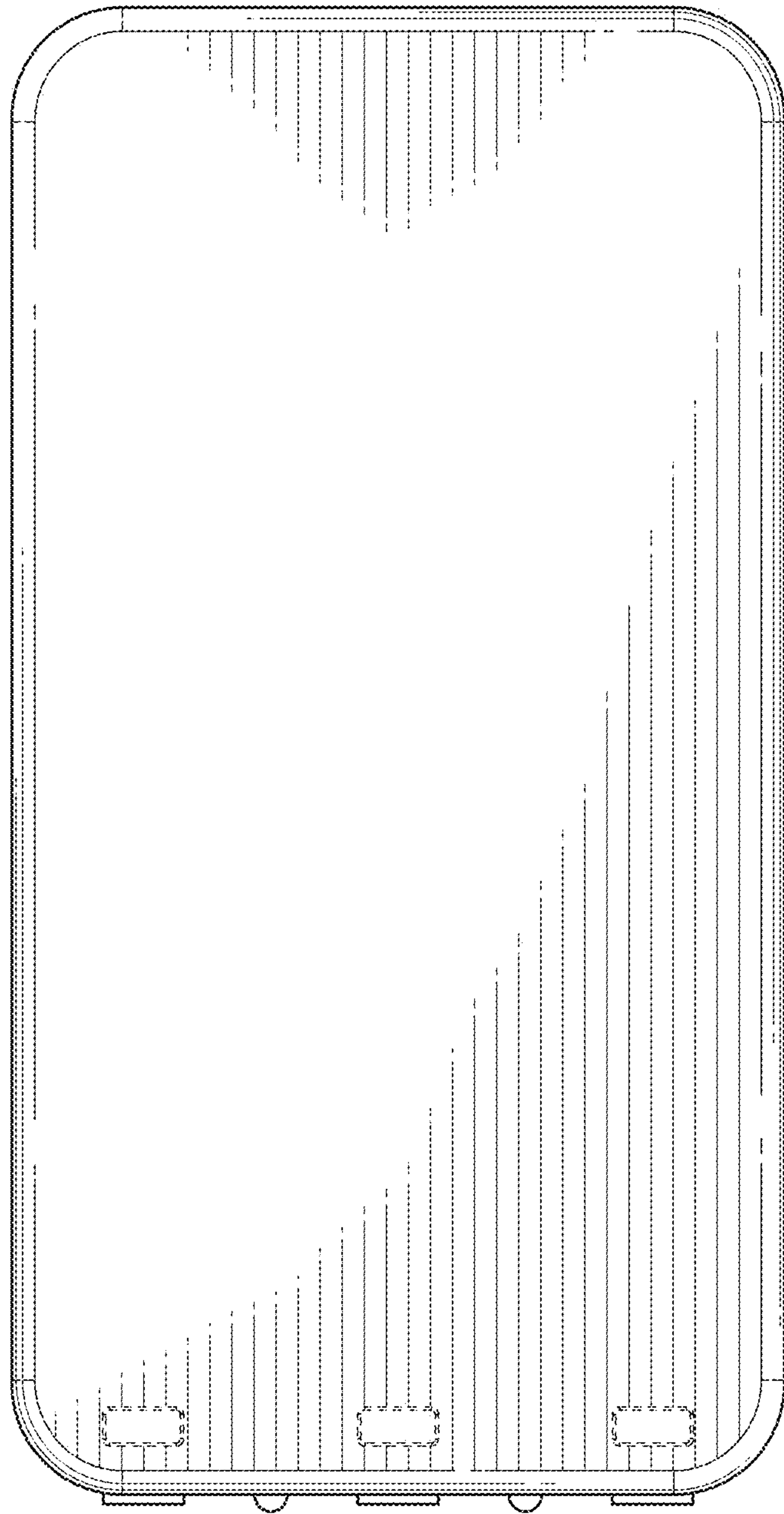


FIG. 3

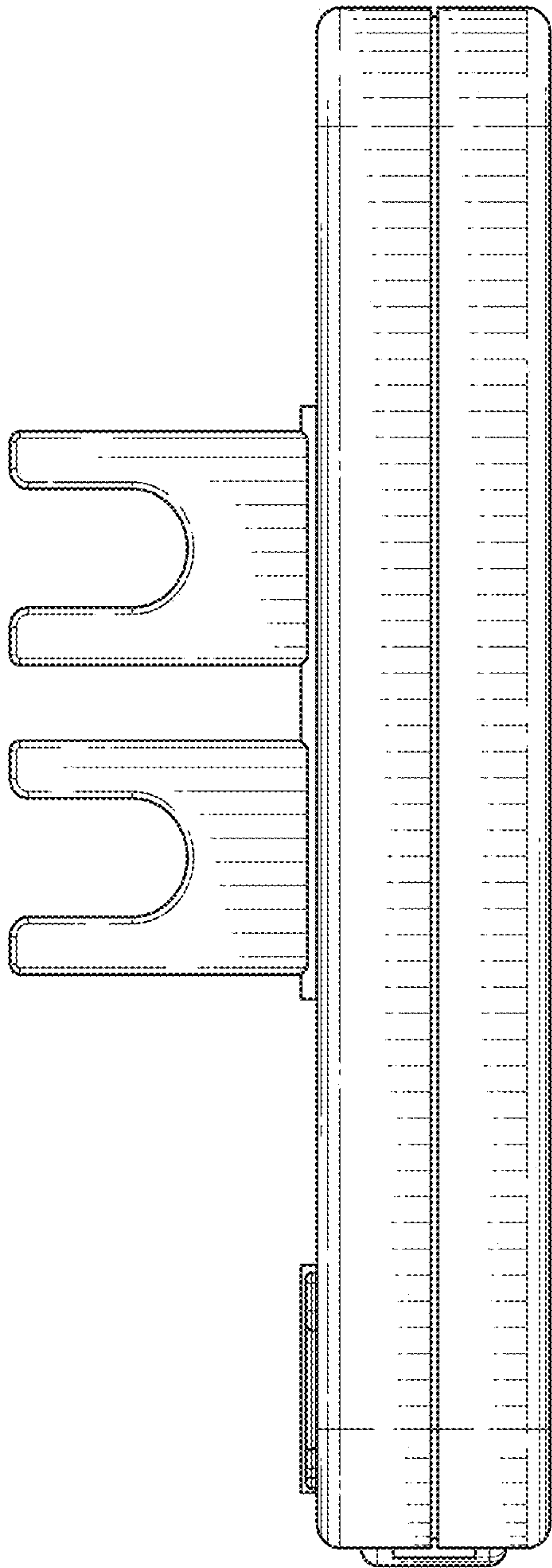


FIG. 4

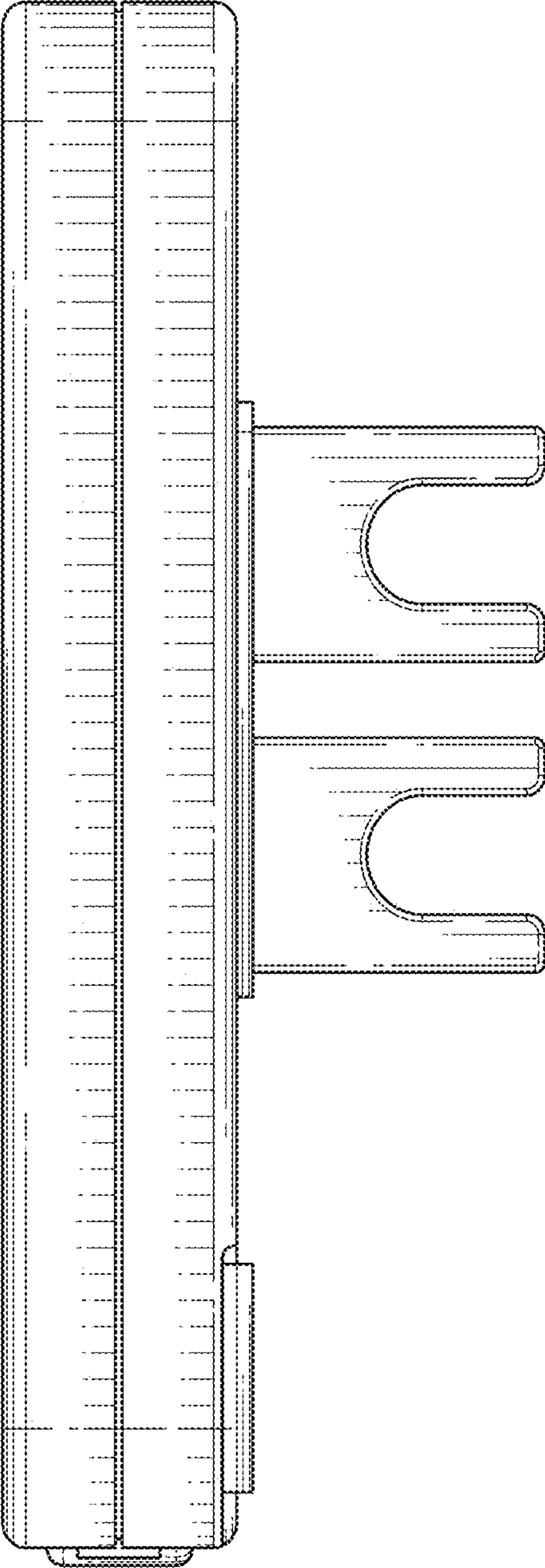


FIG. 5

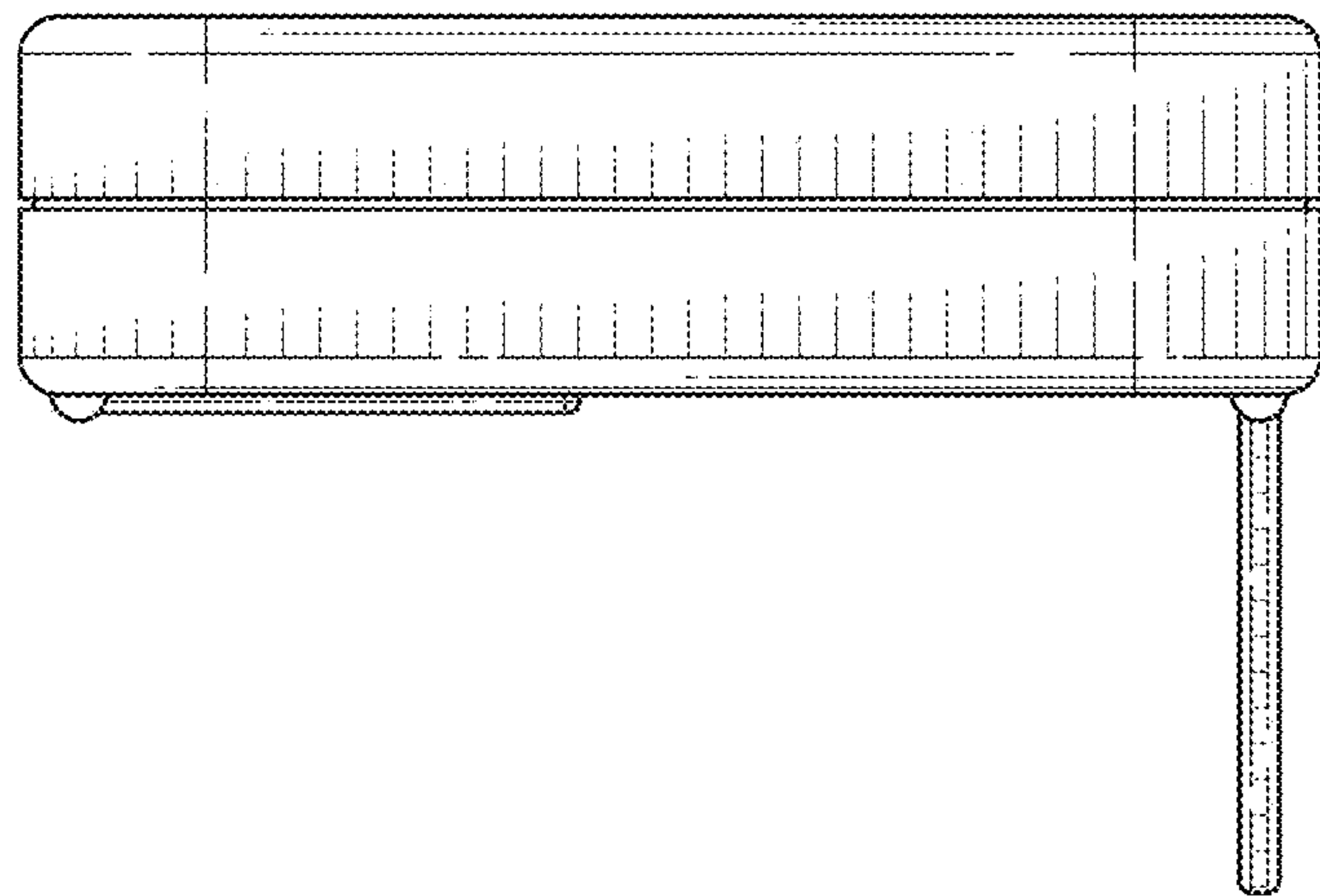


FIG. 6

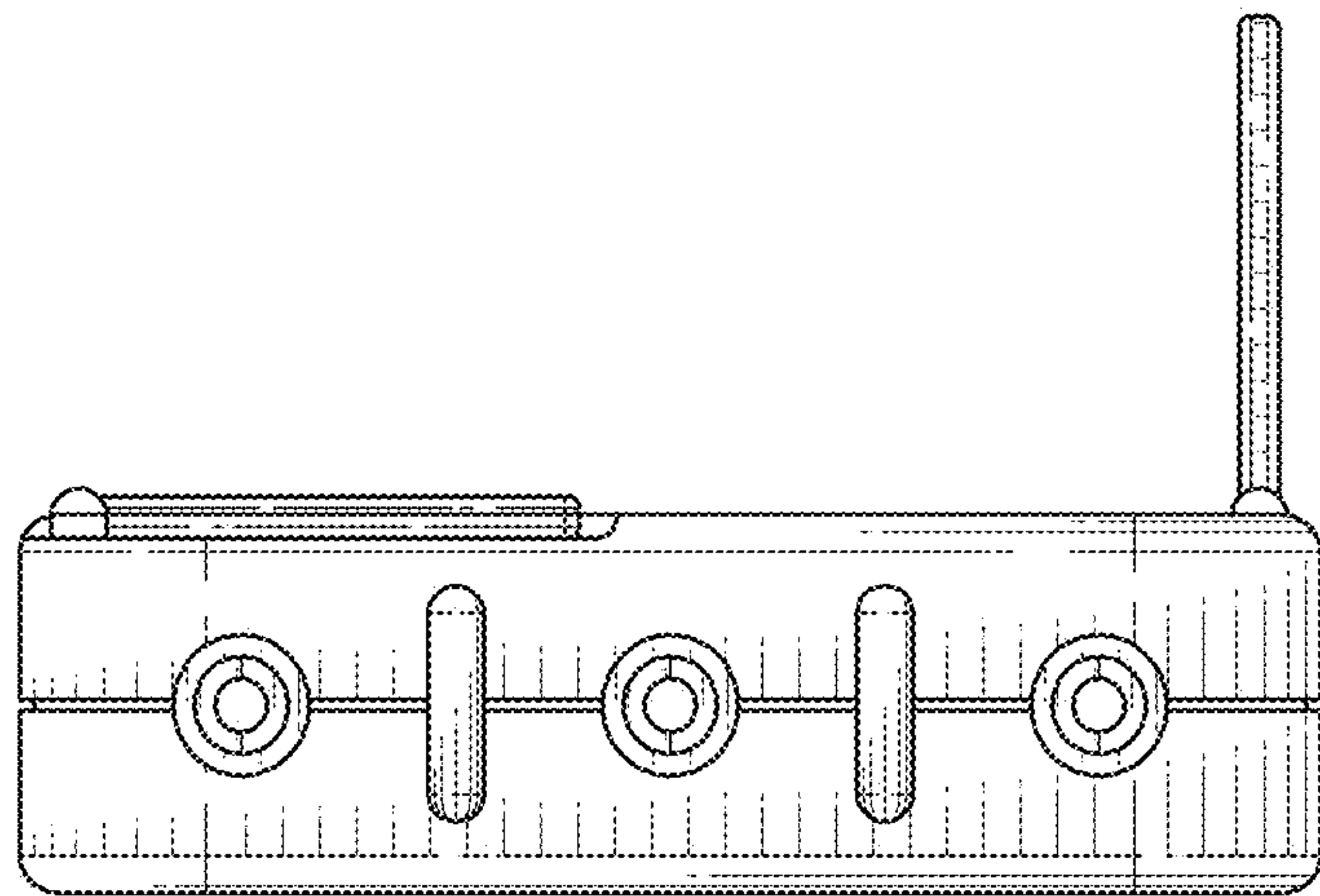


FIG. 7