



US00D879054S

(12) **United States Design Patent**
Shen

(10) **Patent No.:** **US D879,054 S**

(45) **Date of Patent:** **** Mar. 24, 2020**

(54) **CONTROLLER**

(71) Applicant: **TIMOTION TECHNOLOGY CO., LTD.**, New Taipei (TW)

(72) Inventor: **Bo-Yen Shen**, New Taipei (TW)

(73) Assignee: **TIMOTION TECHNOLOGY CO., LTD.**, New Taipei (TW)

(**) Term: **15 Years**

(21) Appl. No.: **29/674,132**

(22) Filed: **Dec. 19, 2018**

(51) **LOC (12) Cl.** **14-03**

(52) **U.S. Cl.**
USPC **D13/168**

(58) **Field of Classification Search**
USPC D13/168; D14/218; D24/200
CPC .. A47C 31/008; A61G 13/02; G07C 9/00944;
G08C 17/00; G08C 17/02; H04B 1/202;
H01H 9/02; H01H 9/0214; H01H 9/0235;
H01H 9/0242
See application file for complete search history.

(56) **References Cited**

U.S. PATENT DOCUMENTS

D572,205 S * 7/2008 Landerholm D13/168
D617,744 S * 6/2010 Landerholm D13/168
D710,315 S * 8/2014 Tsai D13/168
D767,511 S * 9/2016 Gong D13/168

D817,279 S * 5/2018 Lin D13/123
D849,699 S * 5/2019 Shen D13/168
D860,144 S * 9/2019 Zhuang D13/168
D867,345 S * 11/2019 Zhuang D14/218
D868,037 S * 11/2019 Zhuang D14/218
2009/0095602 A1* 4/2009 Jensen H01H 9/0214
200/42.02
2010/0213042 A1* 8/2010 Smidt A47C 31/008
200/5 A

* cited by examiner

Primary Examiner — Selina Sikder

(74) *Attorney, Agent, or Firm* — Chun-Ming Shih; HDLS IPR Services

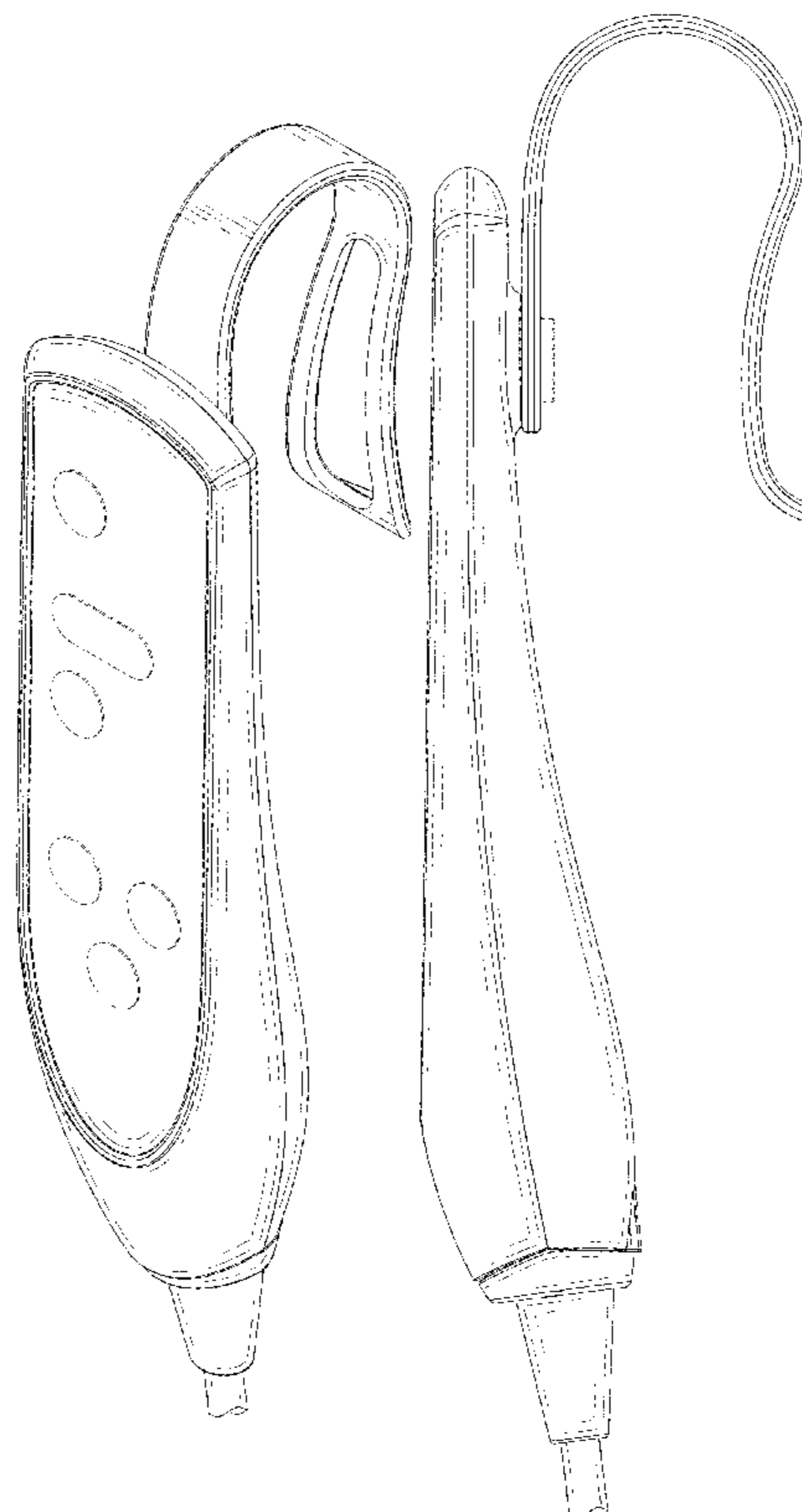
(57) **CLAIM**

The ornamental design for a controller, as shown and described.

DESCRIPTION

FIG. 1 is a perspective view of a controller showing my new design;
FIG. 2 is a front view thereof;
FIG. 3 is a rear view thereof;
FIG. 4 is a left side view thereof;
FIG. 5 is a right side view thereof;
FIG. 6 is a top view thereof;
FIG. 7 is a bottom view thereof; and,
FIG. 8 is a second perspective view showing the controller.
The broken lines shown represent unclaimed subject matter and form no part of the claimed design.

1 Claim, 8 Drawing Sheets



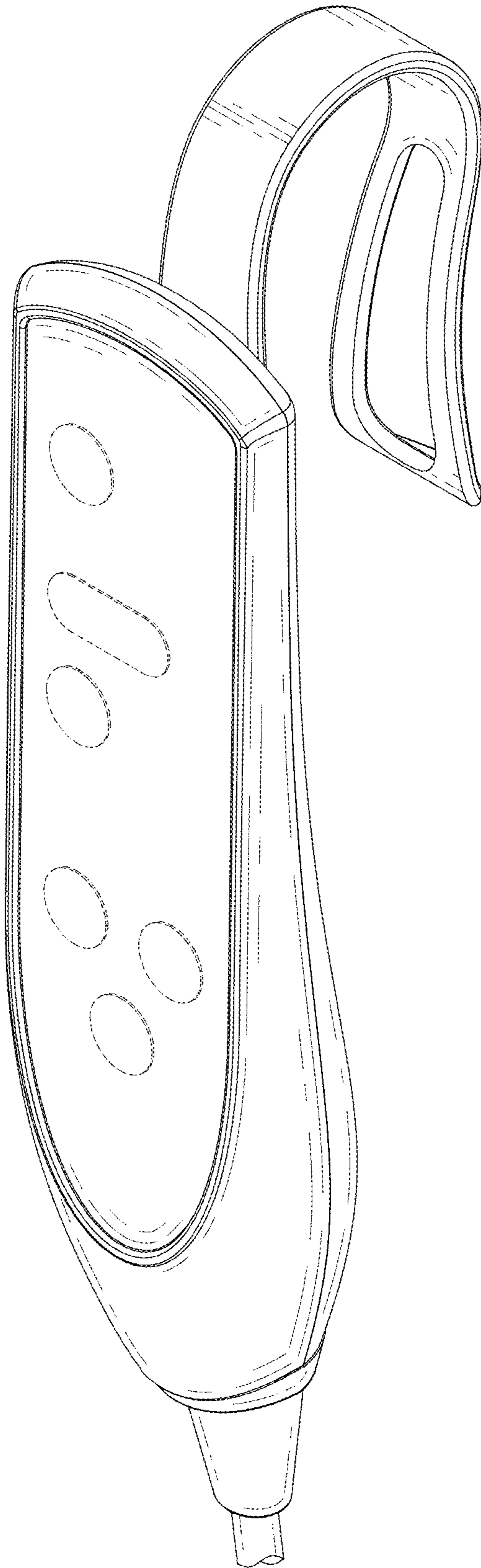


FIG.1

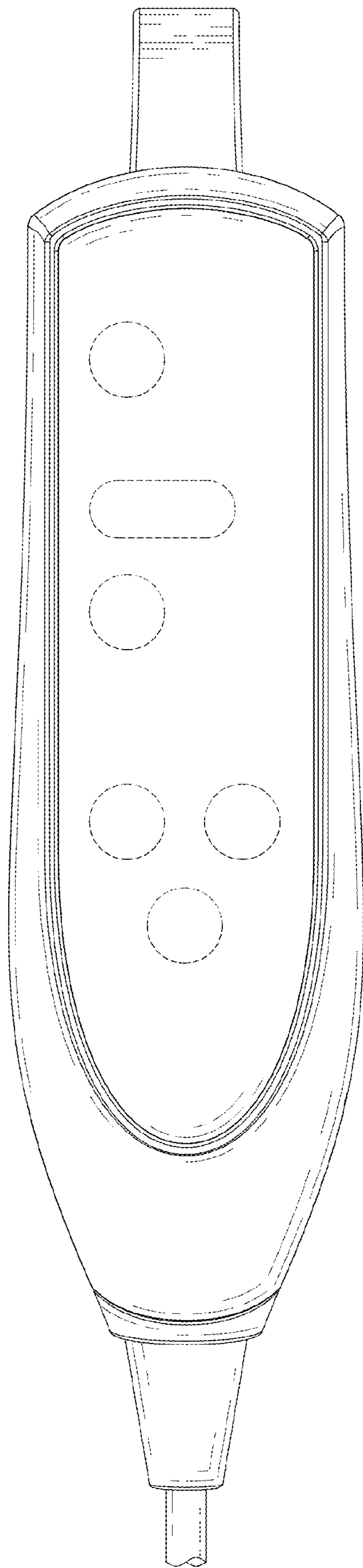


FIG.2

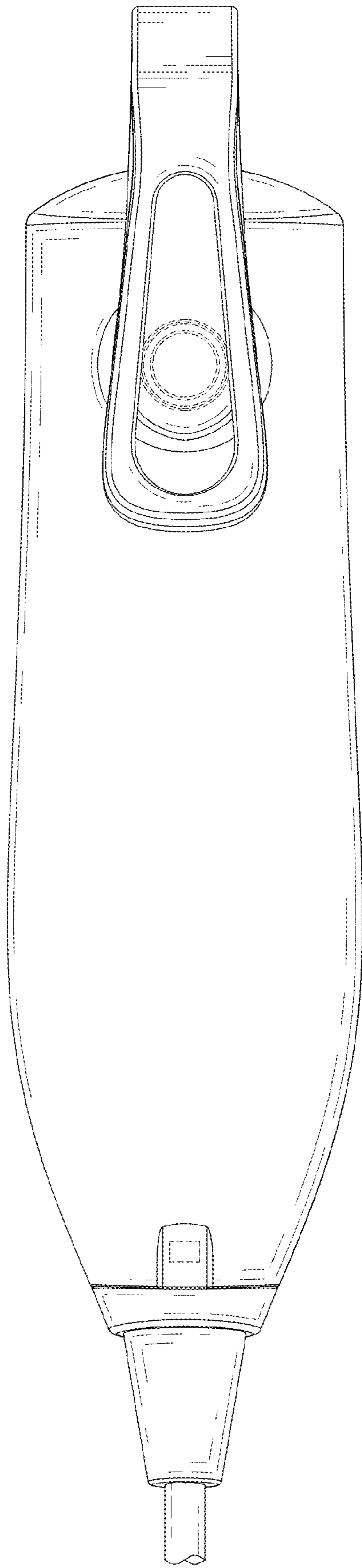


FIG.3

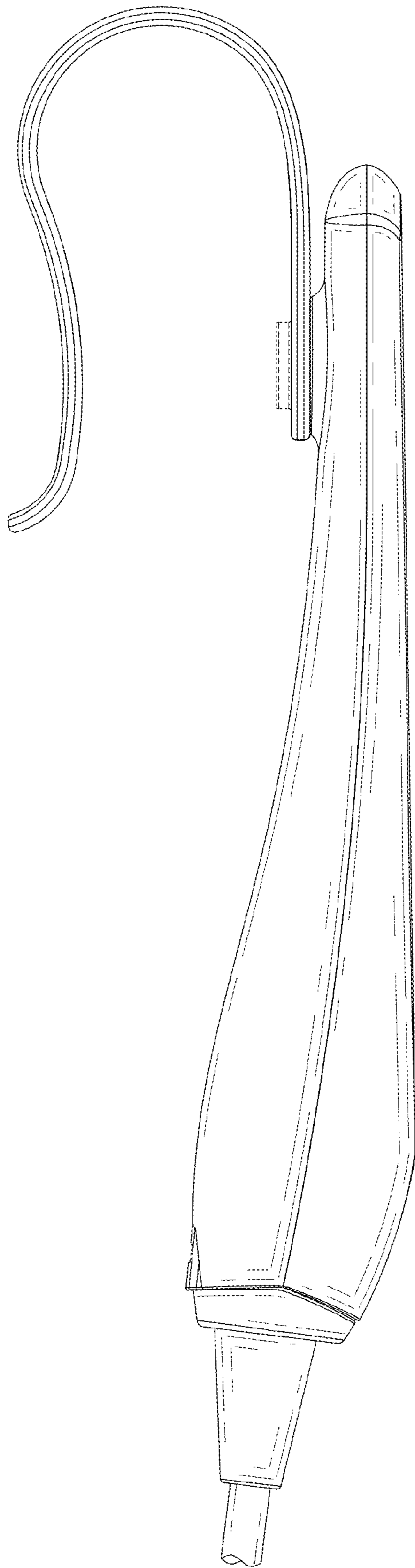


FIG. 4

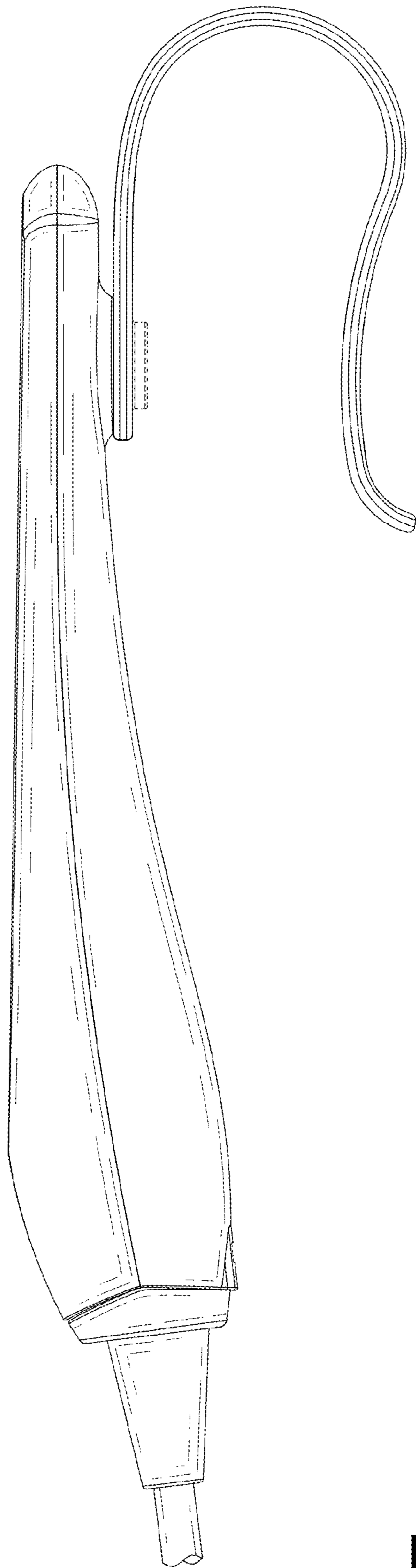


FIG.5

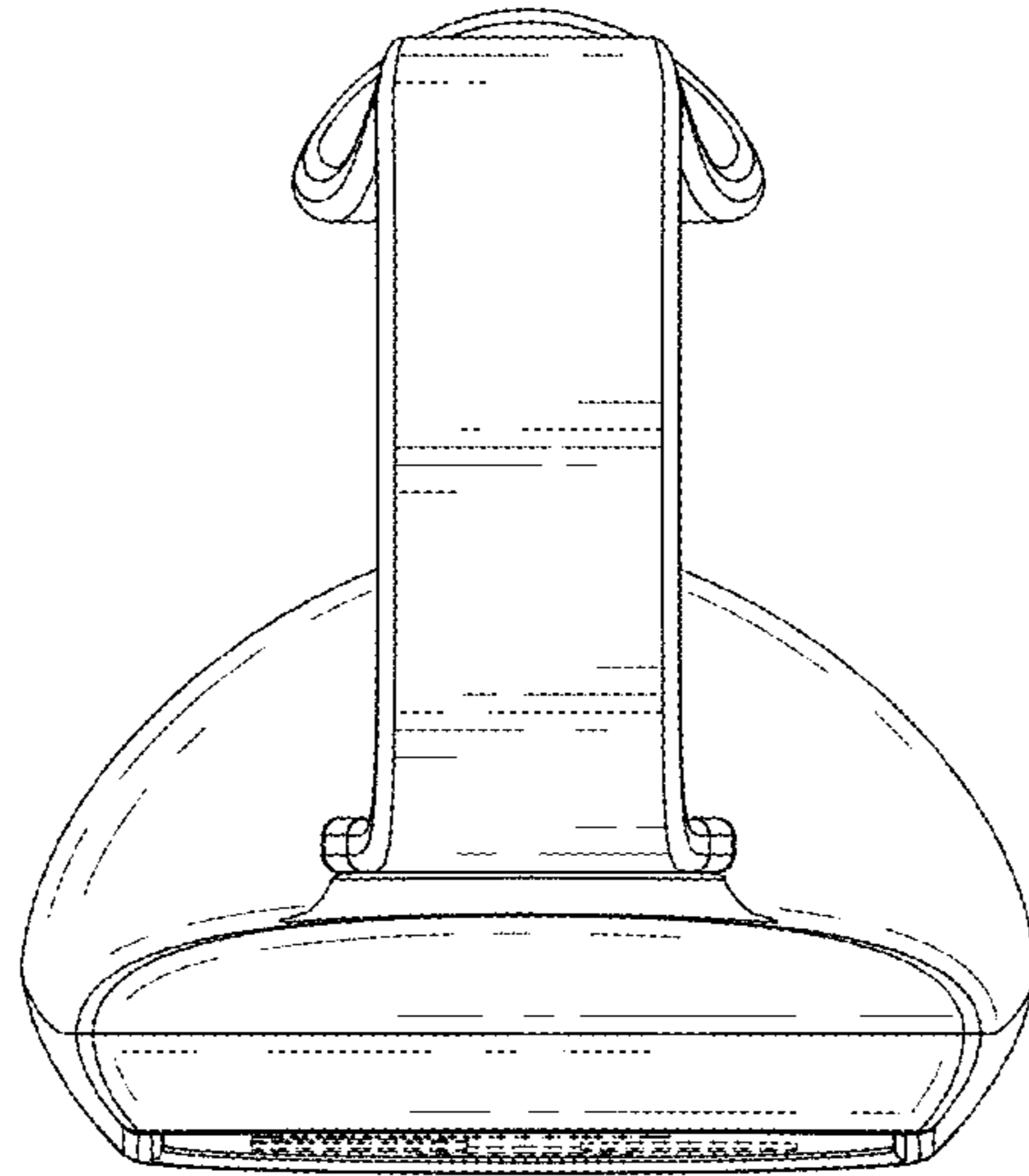


FIG.6

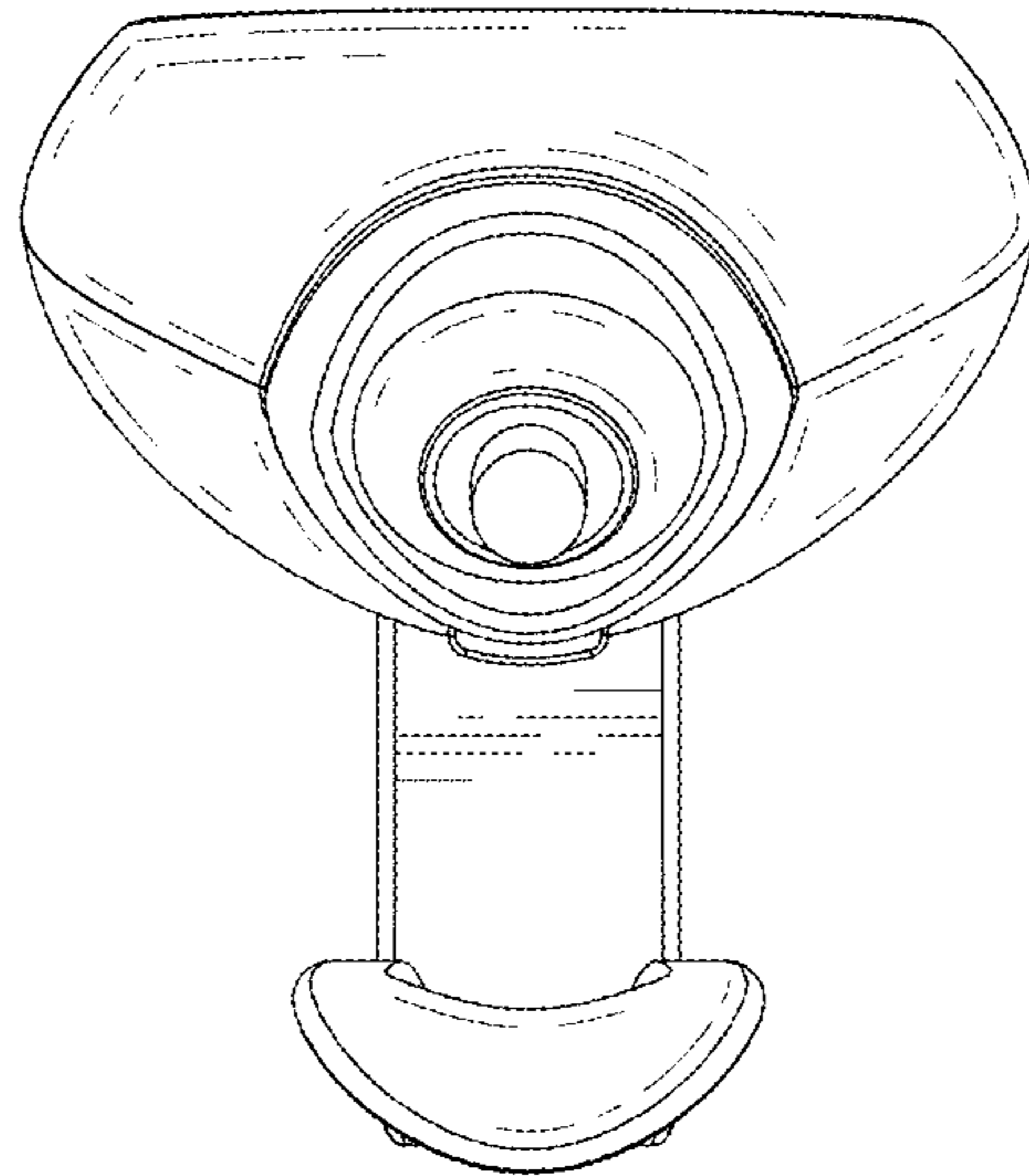


FIG.7

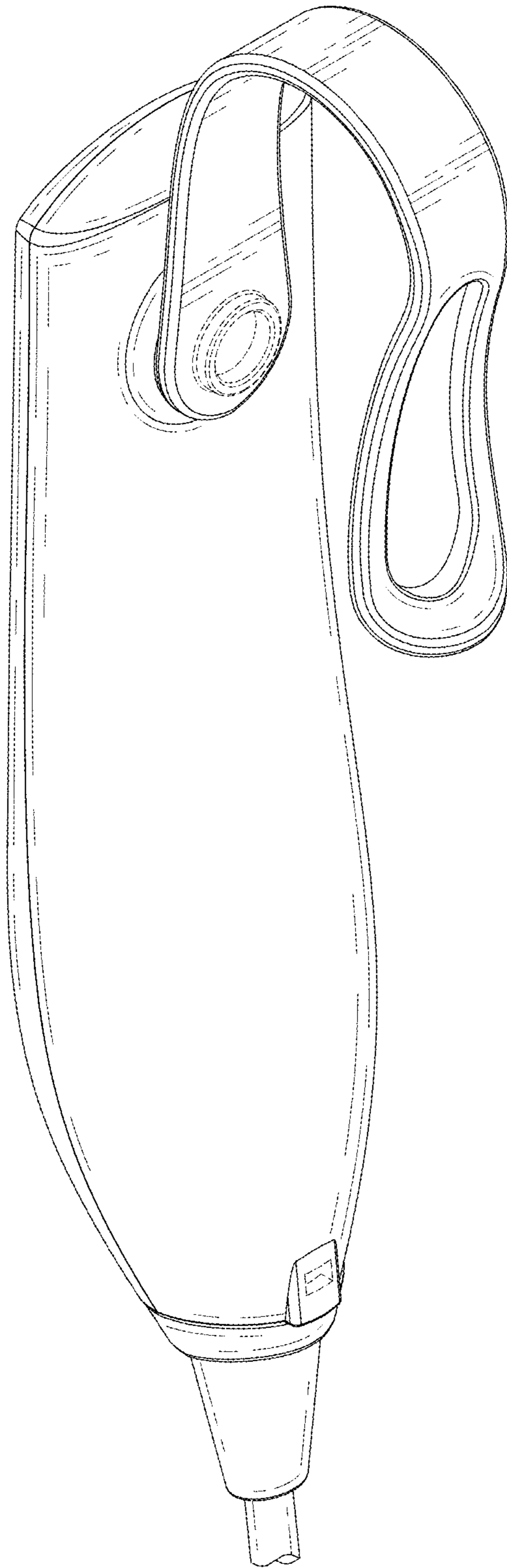


FIG.8