



US00D879052S

(12) **United States Design Patent**
Kremer

(10) **Patent No.:** **US D879,052 S**
(45) **Date of Patent:** **** Mar. 24, 2020**

- (54) **IRRIGATION CONTROL BOX**
- (71) Applicant: **Netafim, Ltd.**, Tel Aviv (IL)
- (72) Inventor: **Eyal Kremer**, Netanya (IL)
- (73) Assignee: **Netafim, Ltd.**, Tel Aviv (IL)
- (**) Term: **15 Years**
- (21) Appl. No.: **29/660,854**
- (22) Filed: **Aug. 23, 2018**
- (51) **LOC (12) Cl.** **13-03**
- (52) **U.S. Cl.**
USPC **D13/162**
- (58) **Field of Classification Search**
USPC D13/158, 162, 164, 168, 184; D10/49,
D10/50
CPC A01G 25/16; A01G 25/165; A01G 25/167;
H05K 5/0017; G05B 19/02; G05B 19/04;
G05B 19/042; G05B 19/0423; G05B
19/0426; G05B 19/108; G05B 2219/2625;
Y10T 137/86389
See application file for complete search history.

8,660,705	B2 *	2/2014	Woytowitz	A01G 25/167 137/78.3
D725,519	S *	3/2015	Drew	D10/75
D792,846	S *	7/2017	Zheng	D13/110
D808,908	S *	1/2018	Paul	D13/162
D810,700	S *	2/2018	Jenkins	D13/162
10,069,284	B1 *	9/2018	Paul	A01G 25/165
D860,827	S *	9/2019	Kremer	D10/49
2006/0030971	A1 *	2/2006	Nelson	A01G 25/165 700/284

* cited by examiner

Primary Examiner — Selina Sikder

(74) *Attorney, Agent, or Firm* — Womble Bond Dickinson (US) LLP

(57) **CLAIM**

The ornamental design for an irrigation control box, as shown and described.

DESCRIPTION

FIG. 1 is a front top right perspective view of my new design;
 FIG. 2 is a front view thereof;
 FIG. 3 is a rear view thereof;
 FIG. 4 is a right side view thereof;
 FIG. 5 is a left side view thereof;
 FIG. 6 is a top view thereof; and,
 FIG. 7 is a bottom view thereof.

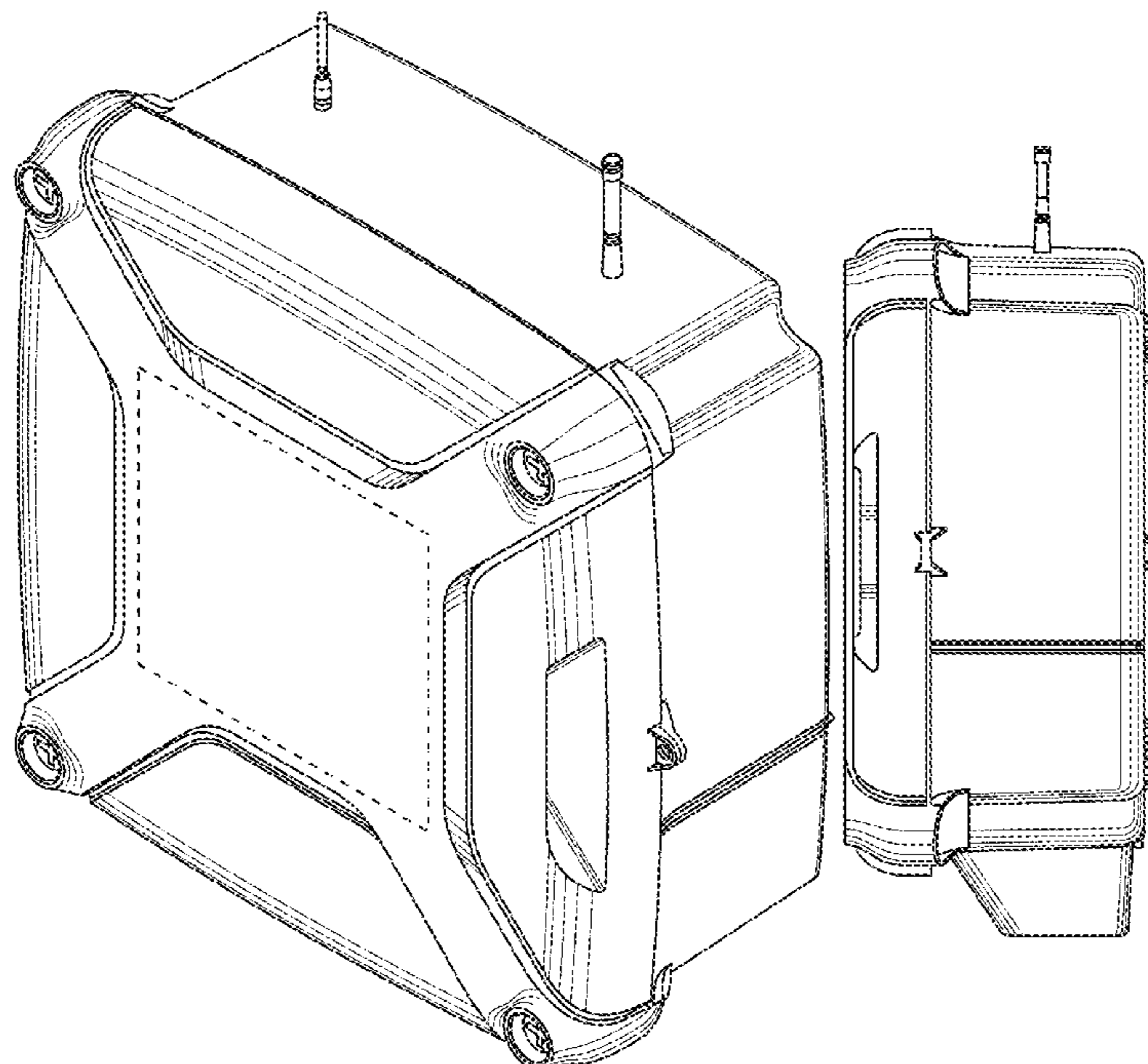
The dash-dash line in FIG. 1 and FIG. 2 is a boundary line that forms no part of the claimed design, the appearance of any portion of the article within the rectangle formed by the dash-dash boundary forms no part of the claimed design.

1 Claim, 4 Drawing Sheets

(56) **References Cited**

U.S. PATENT DOCUMENTS

6,240,336	B1 *	5/2001	Brundisini	G05B 19/0426 239/436
7,613,546	B2 *	11/2009	Nelson	A01G 25/165 239/63
7,844,367	B2 *	11/2010	Nickerson	A01G 25/16 700/284
8,265,797	B2 *	9/2012	Nickerson	A01G 25/16 700/284
D669,036	S *	10/2012	Apruzzese	D13/164



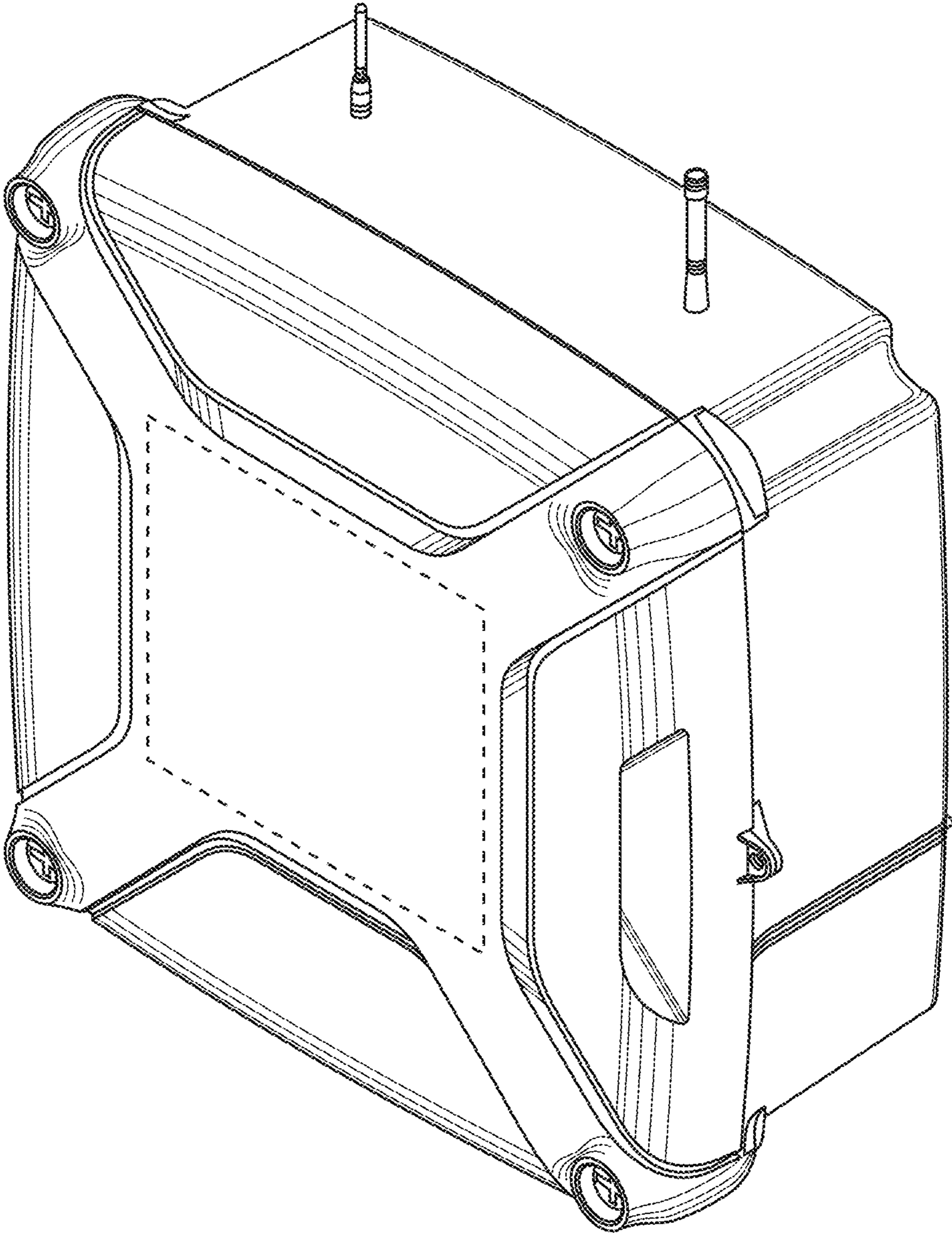


FIG. 1

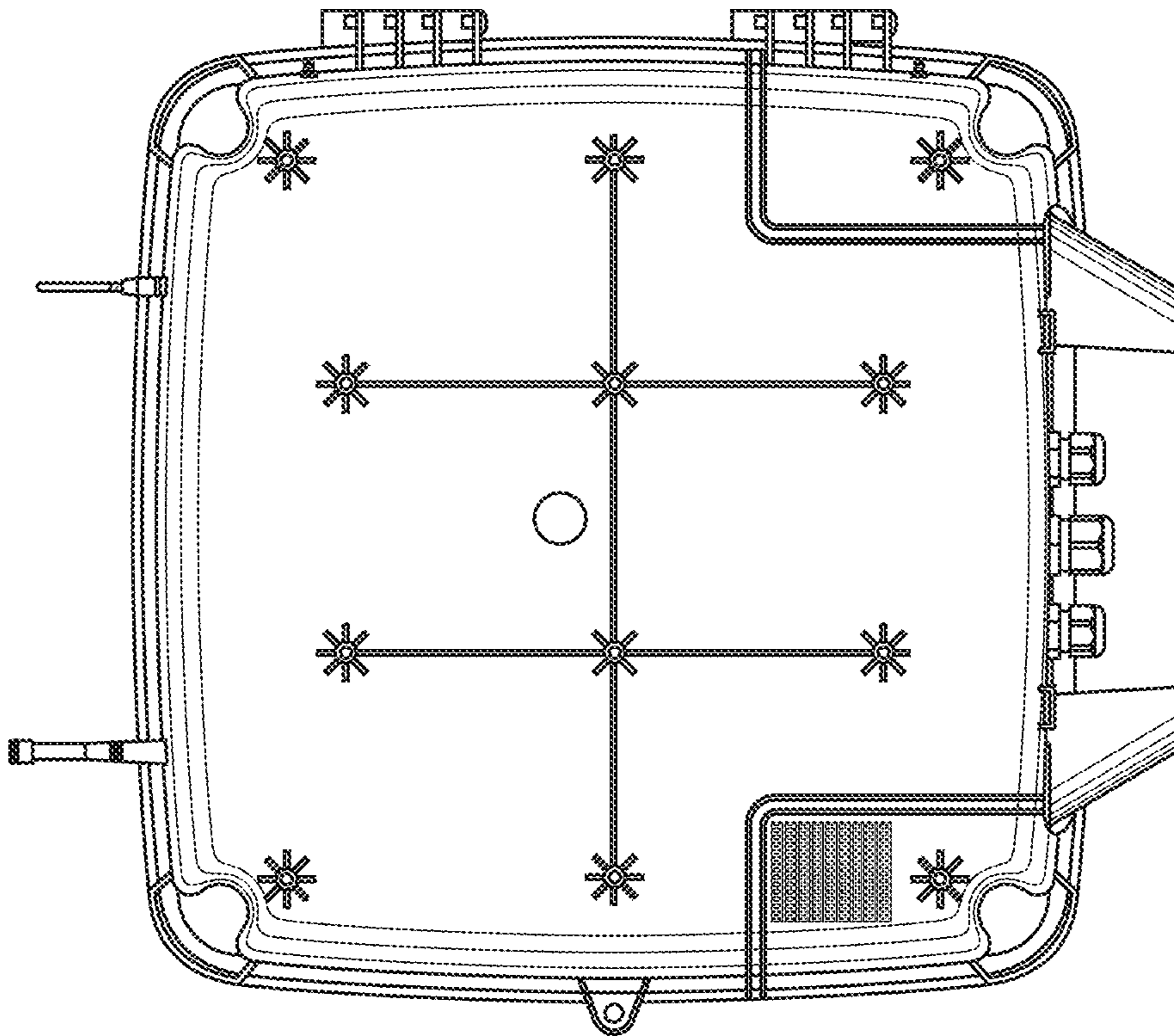


FIG. 3

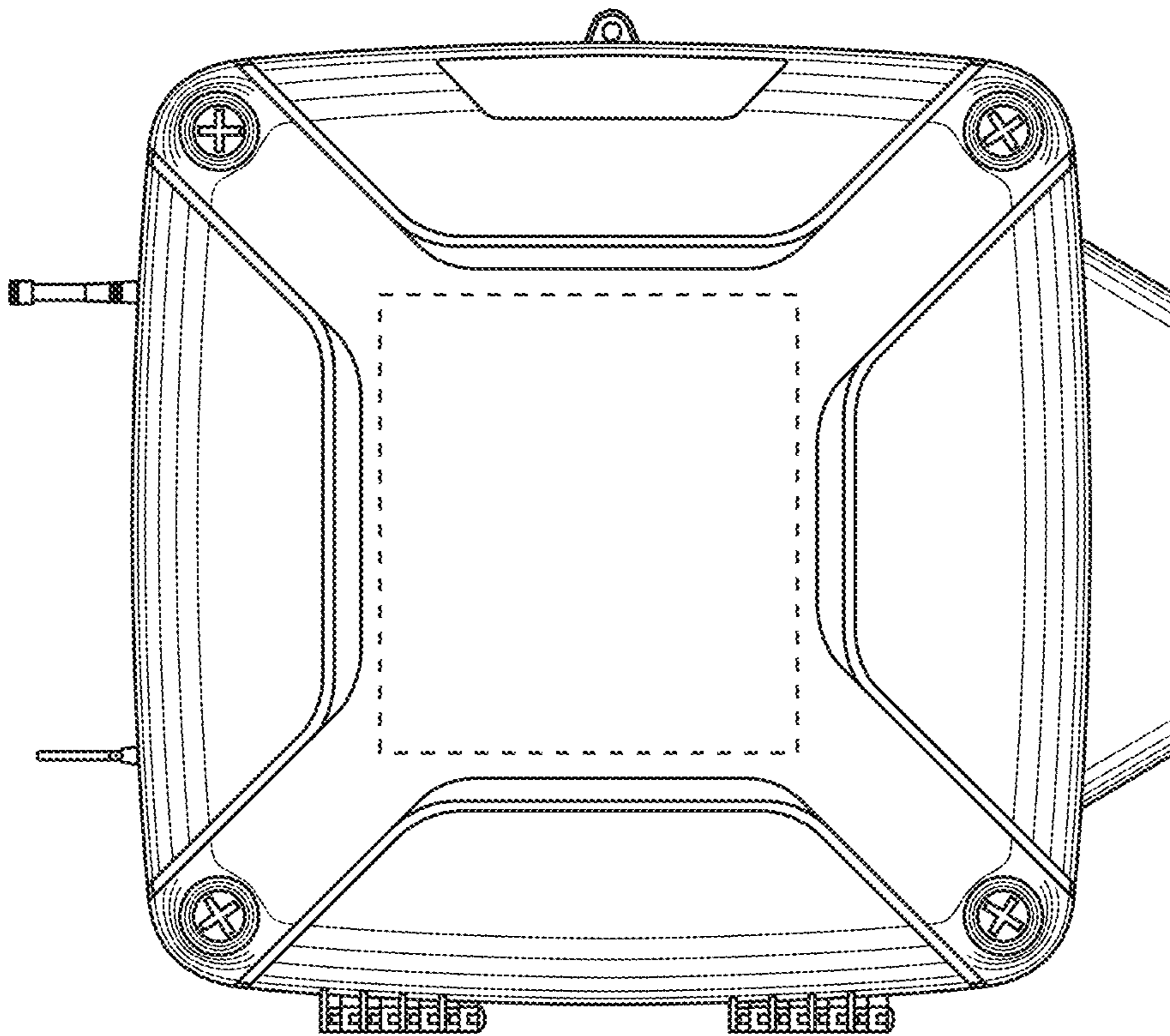


FIG. 2

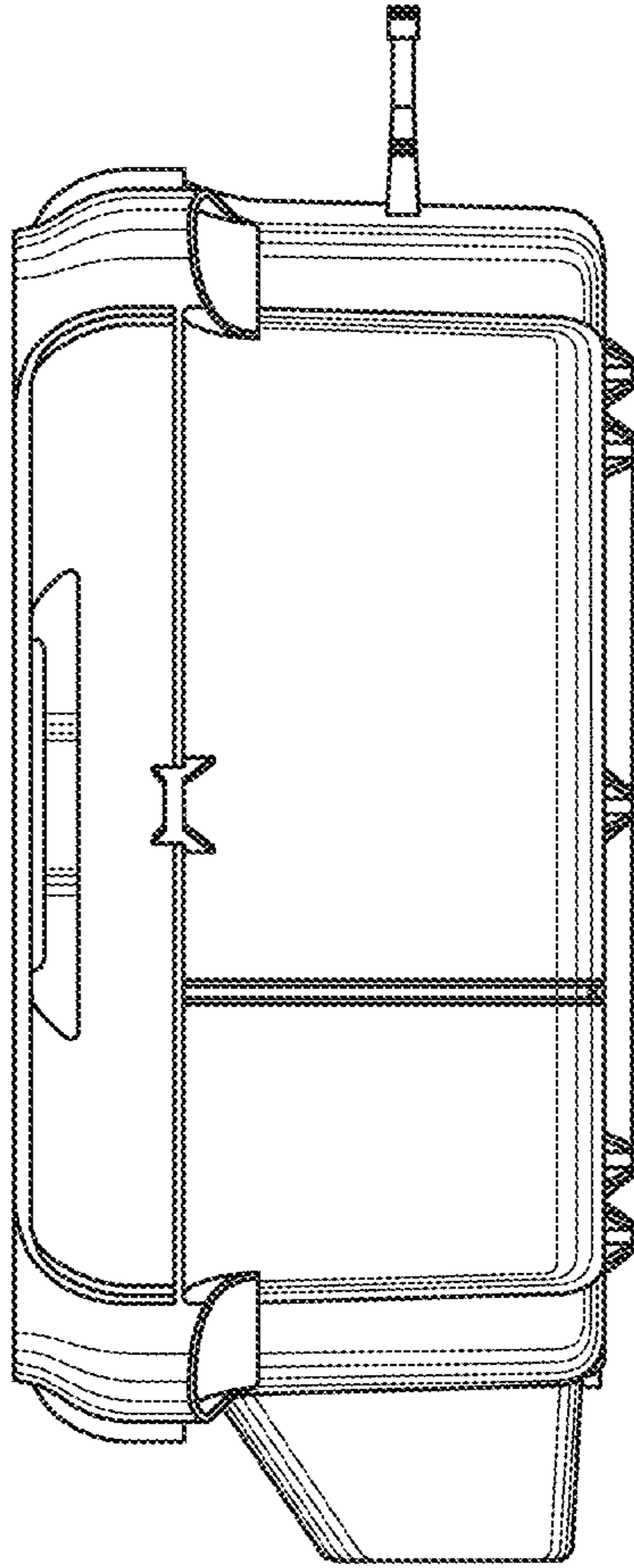


FIG. 4

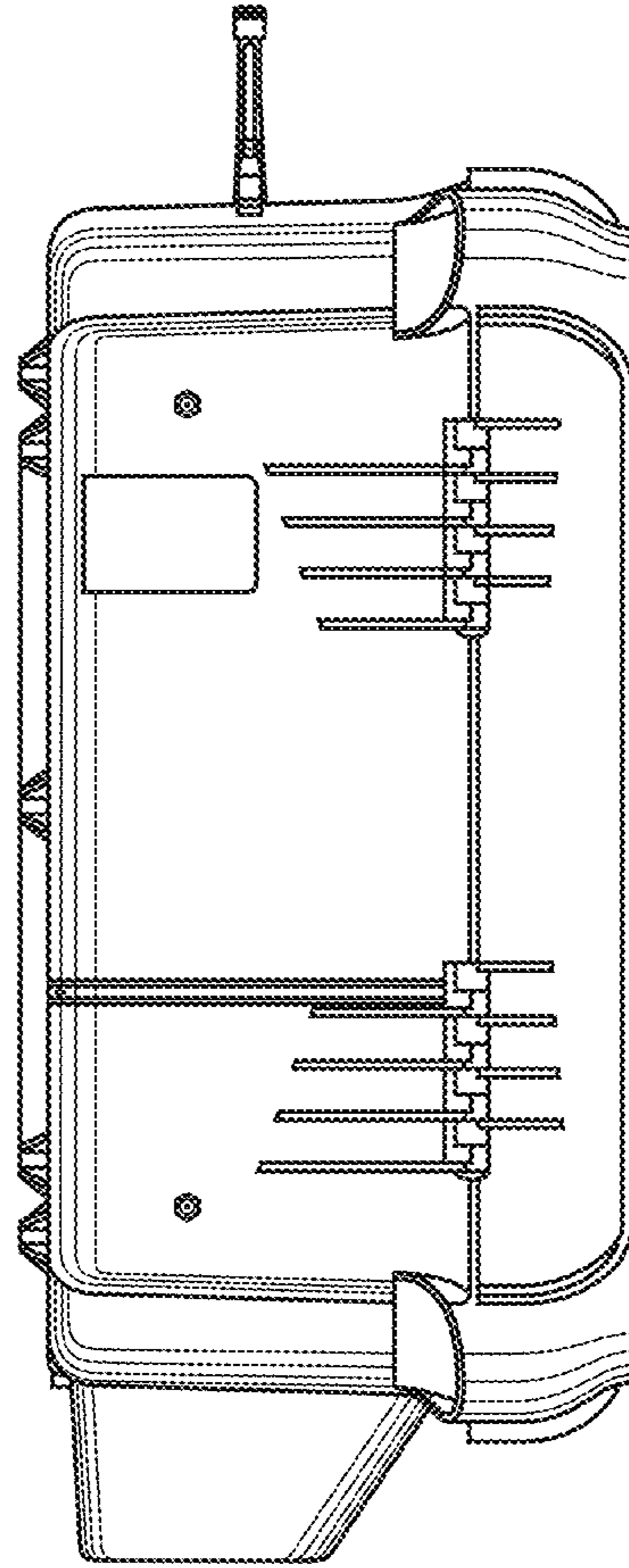


FIG. 5

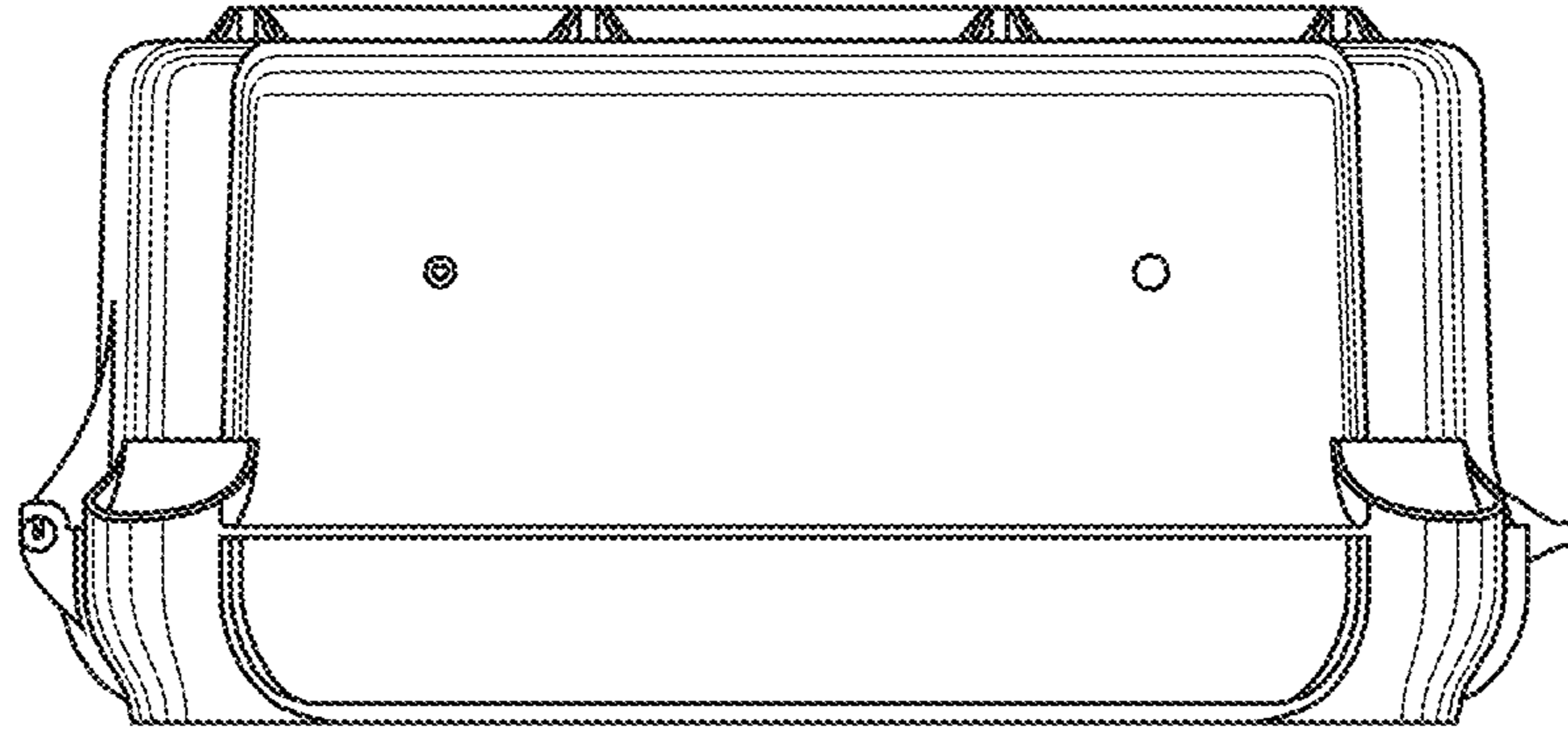


FIG. 6

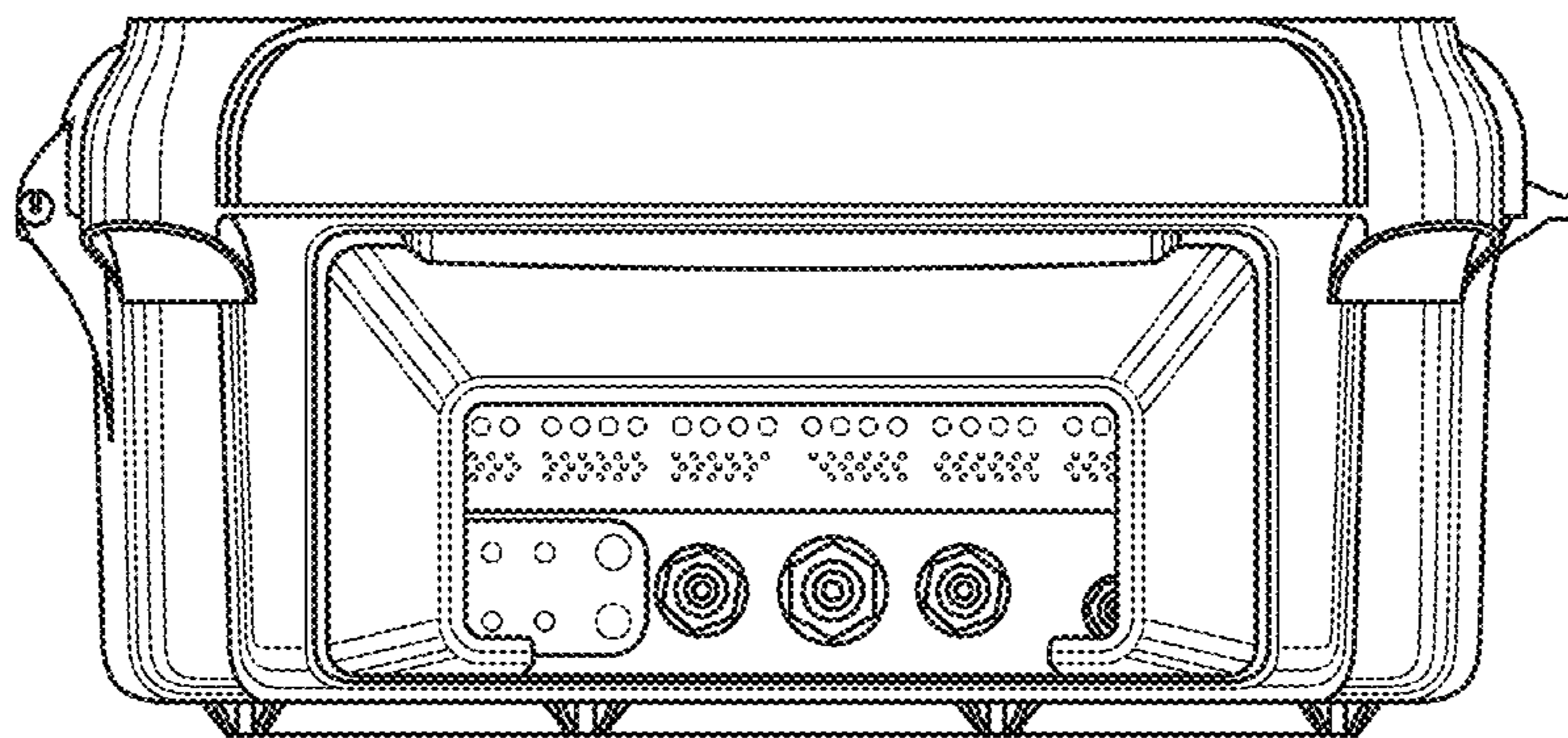


FIG. 7