



US00D879049S

(12) **United States Design Patent** (10) **Patent No.:** **US D879,049 S**
Ender (45) **Date of Patent:** **** Mar. 24, 2020**

(54) **CONNECTOR ASSEMBLY**
(71) Applicant: **NEUTRIK AG**, Schaan (LI)
(72) Inventor: **Norbert Ender**, Fraxern (AT)
(73) Assignee: **NEUTRIK AG**, Schaan (LI)
(**) Term: **15 Years**
(21) Appl. No.: **29/662,391**

EM 000741152-0001 7/2007
EM 001229827-0001 8/2010
EM 001229827-0002 8/2010
EM 001229827-0003 8/2010
EM 001229827-0004 8/2010
EM 001229827-0007 8/2010
EM 001229827-0008 8/2010
EM 001229827-0009 8/2010
EM 001229827-0010 8/2010
EM 001393623-0001 12/2013
EM 001393623-0002 12/2013

(Continued)

(22) Filed: **Sep. 5, 2018**

OTHER PUBLICATIONS

(30) **Foreign Application Priority Data**

Neutrik AG Product Guide 2014/2015, pp. 16 to 22, 55, 56, 69 to 73, 75, 76, 79, 121 to 128, 141, 142, 145 to 148, published Feb. 20, 2014.

Mar. 5, 2018 (EM) 004739340-0001
Mar. 5, 2018 (EM) 004739340-0002
Mar. 5, 2018 (EM) 004739340-0003

Primary Examiner — Bridget L Eland

(51) **LOC (12) Cl.** **13-03**
(52) **U.S. Cl.**
USPC **D13/154**
(58) **Field of Classification Search**
USPC D13/154, 155, 133, 153, 147
CPC H01R 24/38; H01R 13/506; H01R 13/631
See application file for complete search history.

(74) *Attorney, Agent, or Firm* — Volpe and Koenig, P.C.

(57) **CLAIM**

I claim the ornamental design for connector assembly, as shown and described.

(56) **References Cited**

DESCRIPTION

U.S. PATENT DOCUMENTS

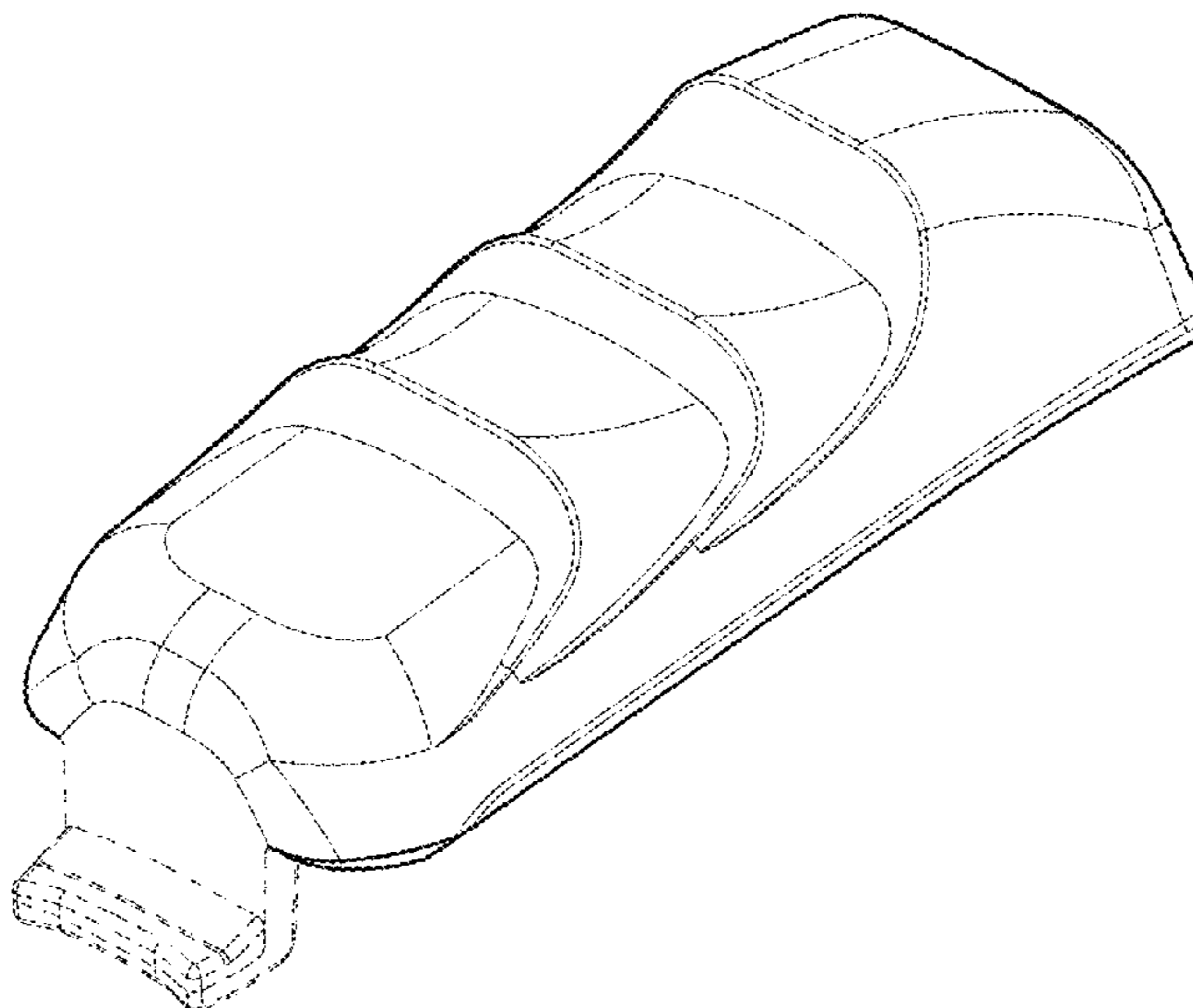
D251,491 S * 4/1979 Snyder, Jr. D13/146
D275,848 S * 10/1984 Ricossa D13/133
D407,384 S * 3/1999 Badgio D13/156
D407,708 S * 4/1999 Nagele D13/103
D413,865 S * 9/1999 Laufer D13/154
D413,898 S * 9/1999 Lohrding D13/147
D510,911 S * 10/2005 Jeal D13/156
D588,992 S * 3/2009 Zhao D13/133
D703,619 S * 4/2014 Wilkins, III D13/156
D842,816 S * 3/2019 Nguyen D13/154

FIG. 1 is a front elevational view of a first embodiment of a connector assembly in accordance with my design; FIG. 2 is a left side elevational view thereof; FIG. 3 is a rear elevational view thereof; FIG. 4 is a right side elevational view thereof; FIG. 5 is a bottom plan view thereof; FIG. 6 is a top plan view thereof; and, FIG. 7 is a perspective view thereof. The broken lines shown represent portions of the connector assembly in which the design is embodied that form no part of the claim to design.

FOREIGN PATENT DOCUMENTS

EM 000152970-0002 6/2004
EM 000152970-0004 6/2004

1 Claim, 7 Drawing Sheets



(56)

References Cited

FOREIGN PATENT DOCUMENTS

EM	002677641-0001	4/2015
EM	002677641-0002	4/2015
EM	002677641-0003	4/2015
EM	002677641-0004	4/2015
EM	002677641-0005	4/2015
EM	002677641-0006	4/2015
EM	003002807-0001	2/2016
EM	003002807-0002	2/2016
EM	003002807-0003	2/2016
EM	003467067-0001	11/2016
EM	003467067-0002	11/2016
EM	003467067-0003	11/2016

* cited by examiner

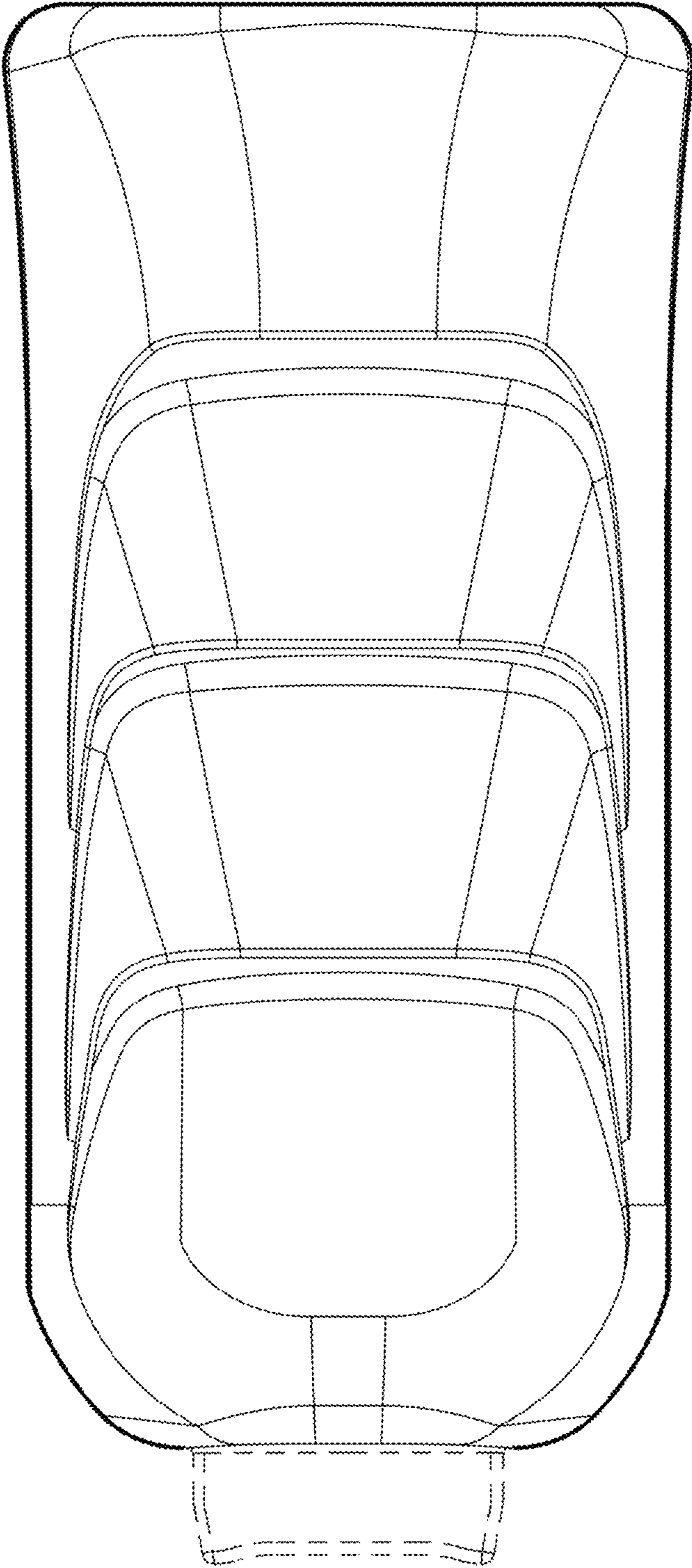


Fig. 1

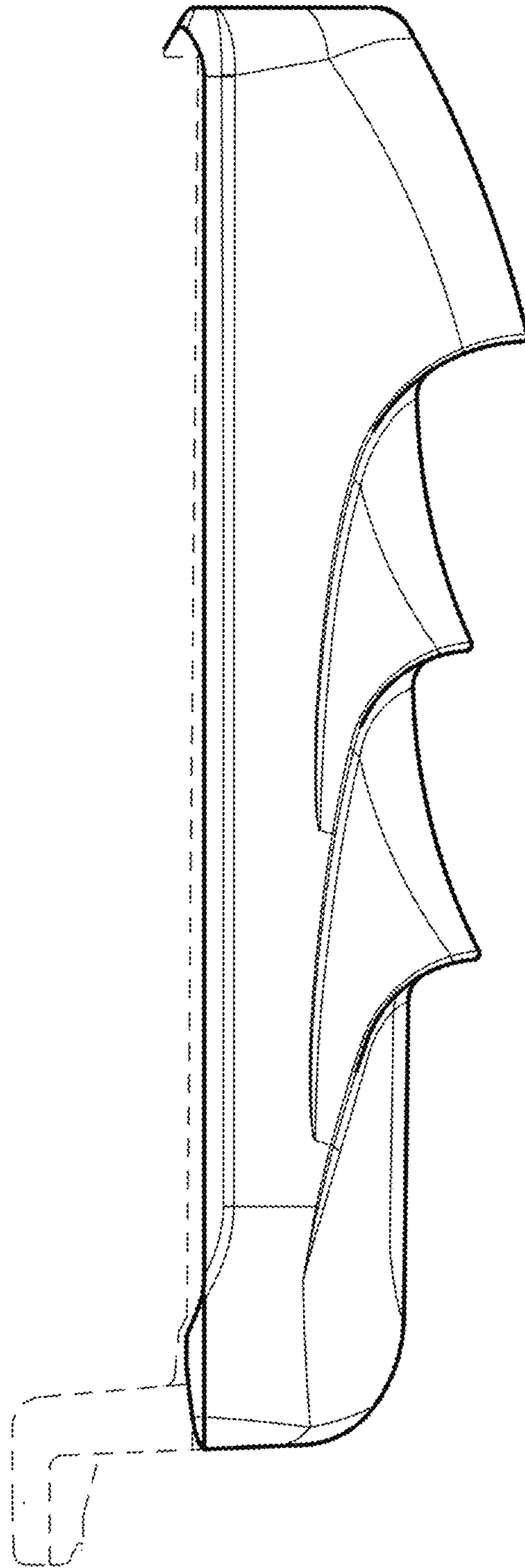


Fig. 2

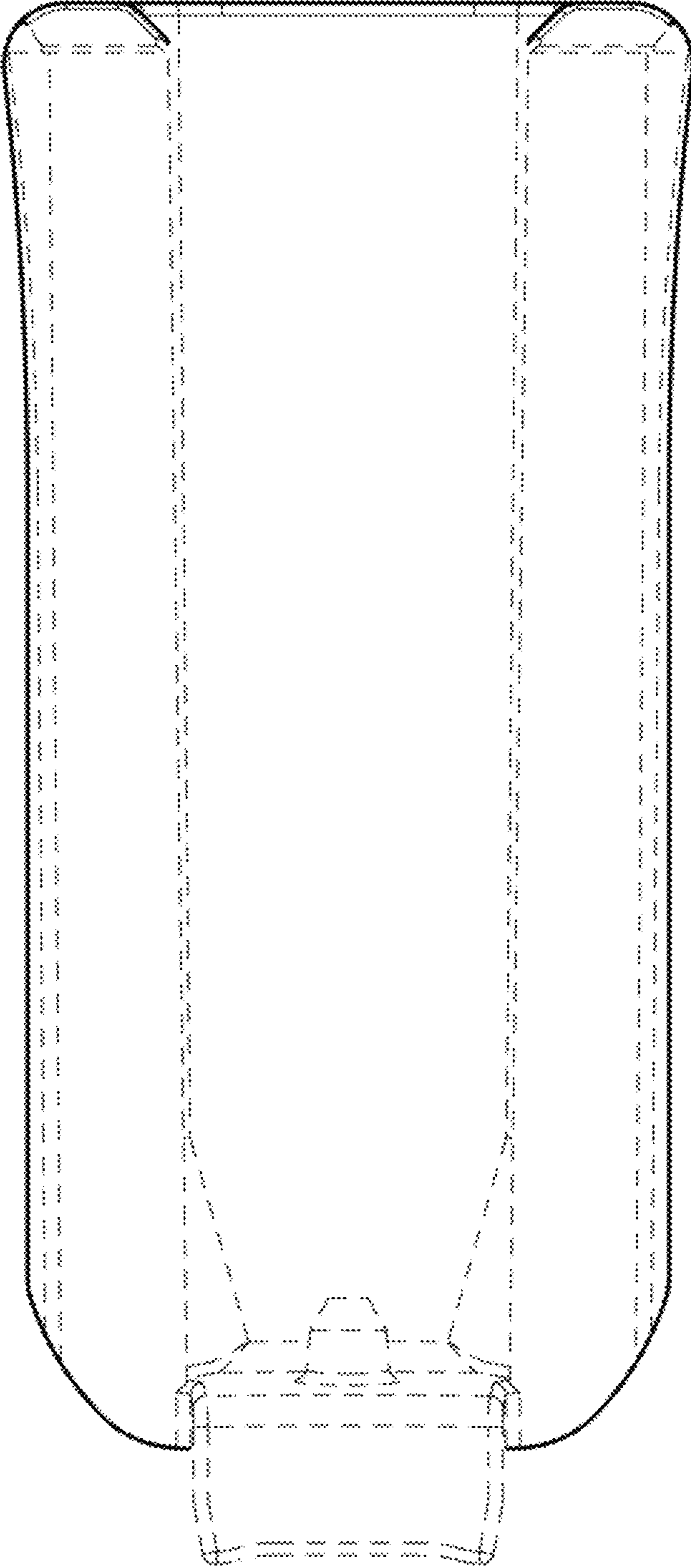


Fig. 3

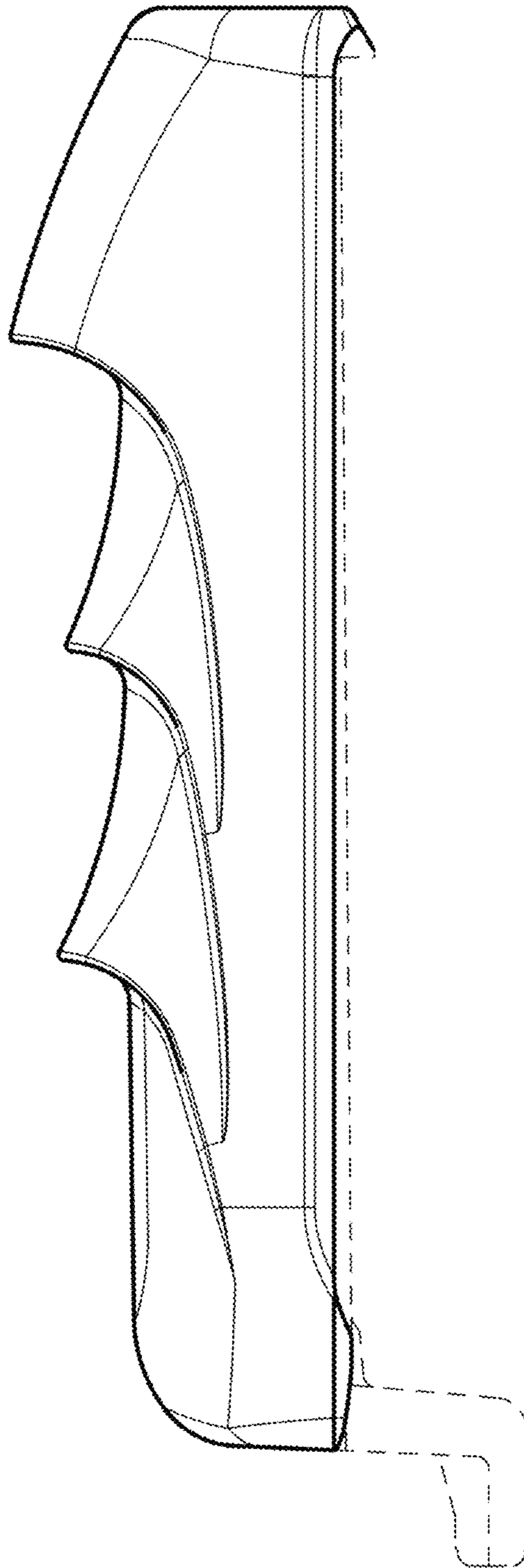


Fig. 4

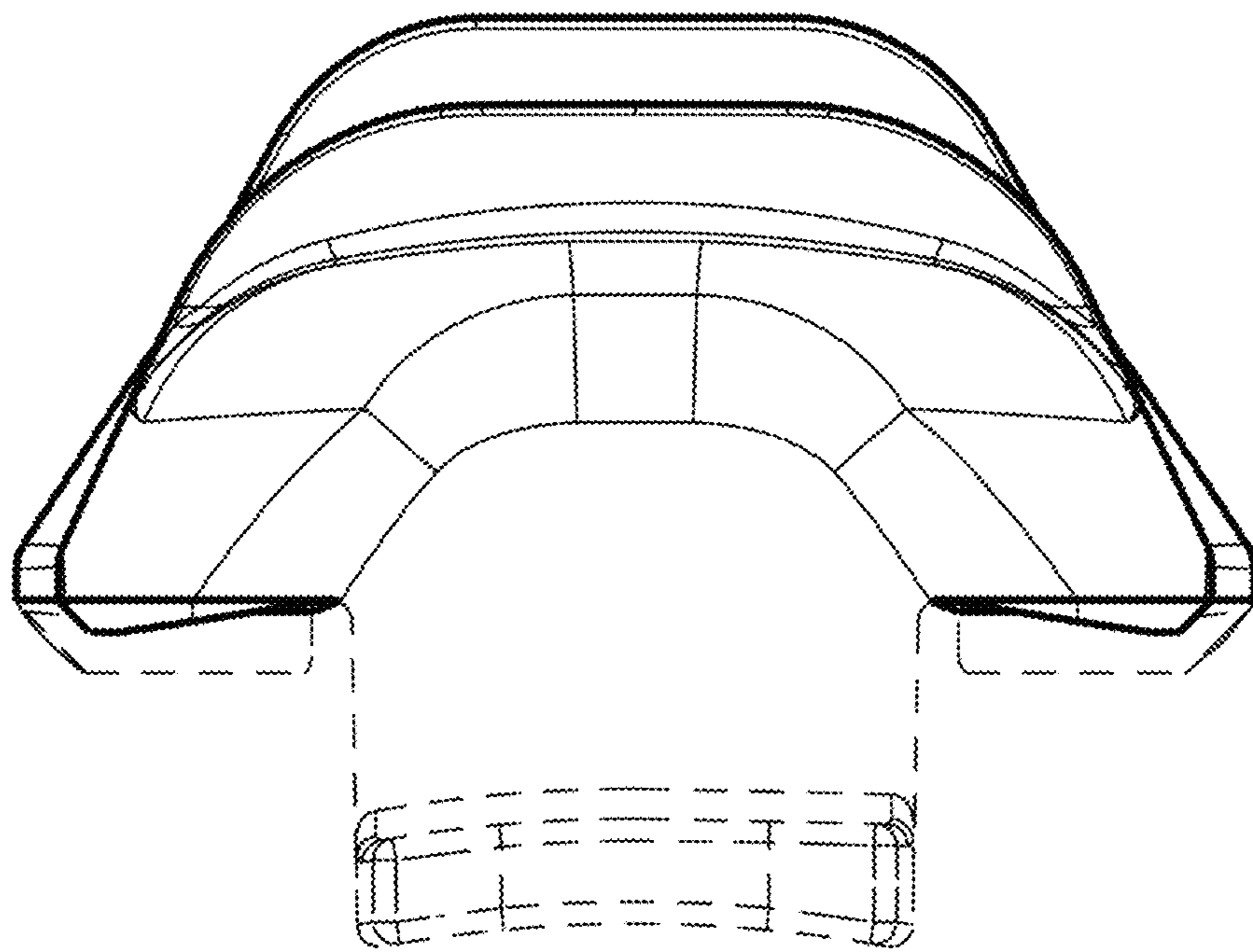


Fig. 5

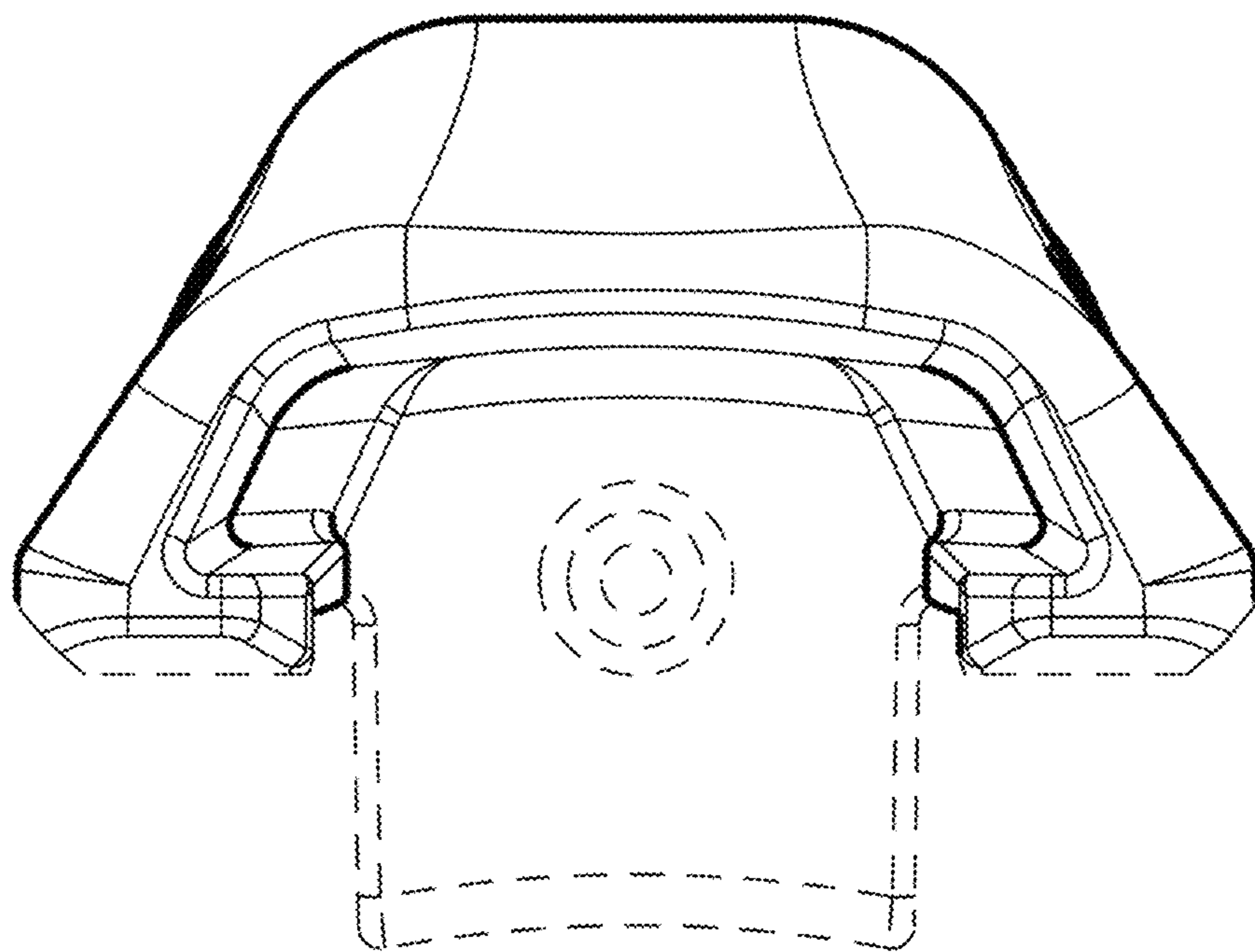


Fig .6

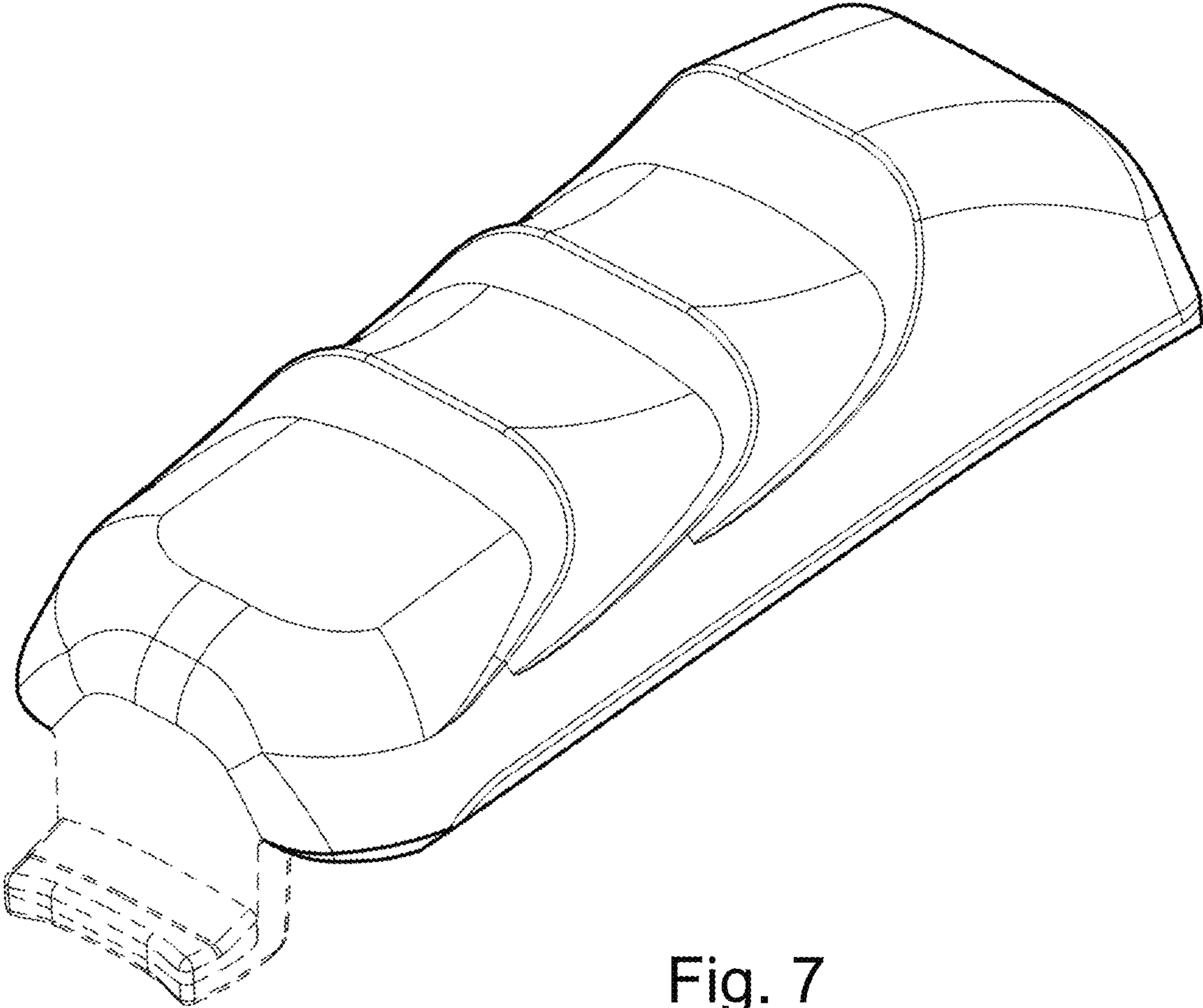


Fig. 7