



US00D879048S

(12) **United States Design Patent**
Kato et al.

(10) **Patent No.:** **US D879,048 S**
(45) **Date of Patent:** **** Mar. 24, 2020**

(54) **TERMINAL FITTING FOR ELECTRIC CONNECTOR**

(71) Applicant: **YAZAKI CORPORATION**, Tokyo (JP)

(72) Inventors: **Hajime Kato**, Shizuoka (JP); **Shigeo Mori**, Shizuoka (JP); **Fuminori Sugiyama**, Shizuoka (JP); **Hiroyuki Tanaka**, Shizuoka (JP); **Kazuma Watanabe**, Shizuoka (JP)

(73) Assignee: **YAZAKI CORPORATION**, Tokyo (JP)

(**) Term: **15 Years**

(21) Appl. No.: **29/653,905**

(22) Filed: **Jun. 19, 2018**

(30) **Foreign Application Priority Data**

Dec. 20, 2017 (JP) 2017-028331

(51) **LOC (12) Cl.** **13-03**

(52) **U.S. Cl.**
USPC **D13/154**

(58) **Field of Classification Search**
USPC D13/154, 133, 146, 147, 123, D13/137.1-139.8
CPC H01R 13/20; H01R 13/113; H01R 13/748
See application file for complete search history.

(56) **References Cited**

U.S. PATENT DOCUMENTS

D453,739 S * 2/2002 Lin D13/148
D488,449 S * 4/2004 Kuo D13/154
D491,536 S * 6/2004 Tai D13/154
D504,665 S * 5/2005 Lai D13/154

D634,273 S * 3/2011 Damon D13/120
D766,836 S * 9/2016 Endo D13/154
D801,281 S * 10/2017 Endo D13/154
D816,045 S * 4/2018 Mikawa D13/154
D816,618 S * 5/2018 Mikawa D13/154
D833,979 S * 11/2018 Hung D13/154
2010/0151748 A1 * 6/2010 Kato H01R 13/113
439/834
2019/0190183 A1 * 6/2019 Kato H01R 13/20
2019/0190185 A1 * 6/2019 Mori H01R 13/512

* cited by examiner

Primary Examiner — Bridget L Eland

(74) *Attorney, Agent, or Firm* — Kenealy Vaidya LLP

(57) **CLAIM**

The ornamental design for a terminal fitting for electric connector, as shown and described.

DESCRIPTION

FIG. 1 is a front, bottom and right-side perspective view of a terminal fitting for electric connector showing our new design;

FIG. 2 is a rear, top and right-side perspective view thereof;

FIG. 3 is a rear, top and left-side perspective view thereof;

FIG. 4 is a front, top and right-side perspective view thereof;

FIG. 5 is a front elevational view thereof;

FIG. 6 is a rear elevational view thereof;

FIG. 7 is a left-side elevational view thereof;

FIG. 8 is a right-side elevational view thereof;

FIG. 9 is a top plan view thereof; and,

FIG. 10 is a bottom plan view thereof.

The dot-dash broken lines immediately adjacent the shaded areas represent the bounds of the claimed design while all other broken lines are directed to environment and are for illustrative purposes only; the broken lines form no part of the claimed design.

1 Claim, 7 Drawing Sheets

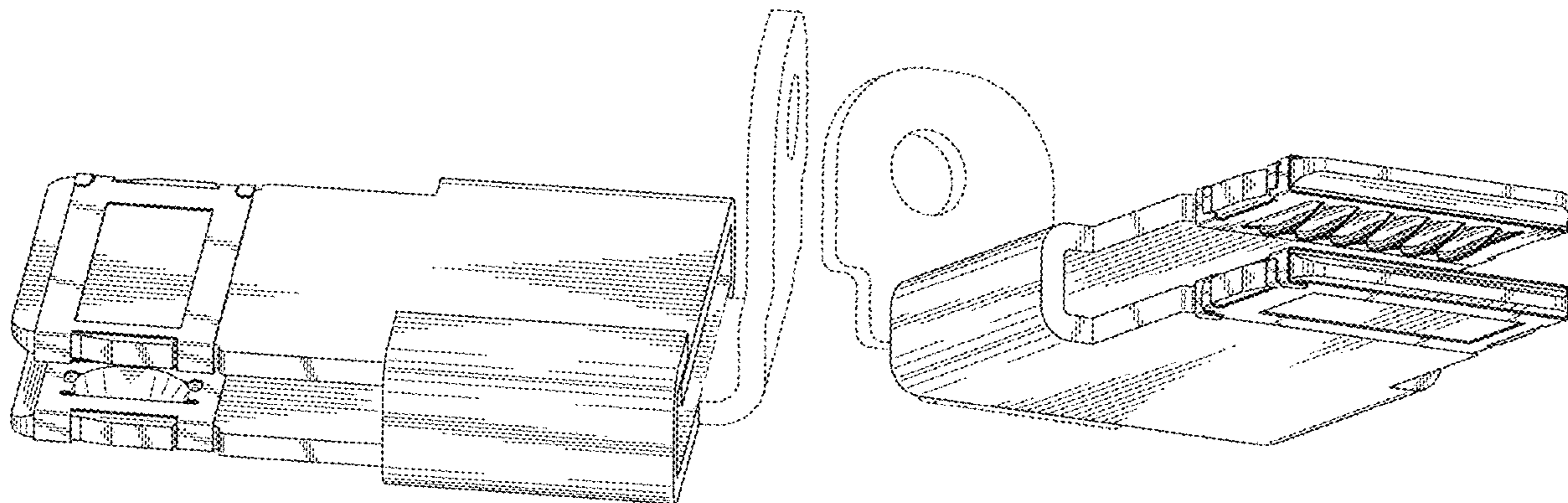


FIG. 1

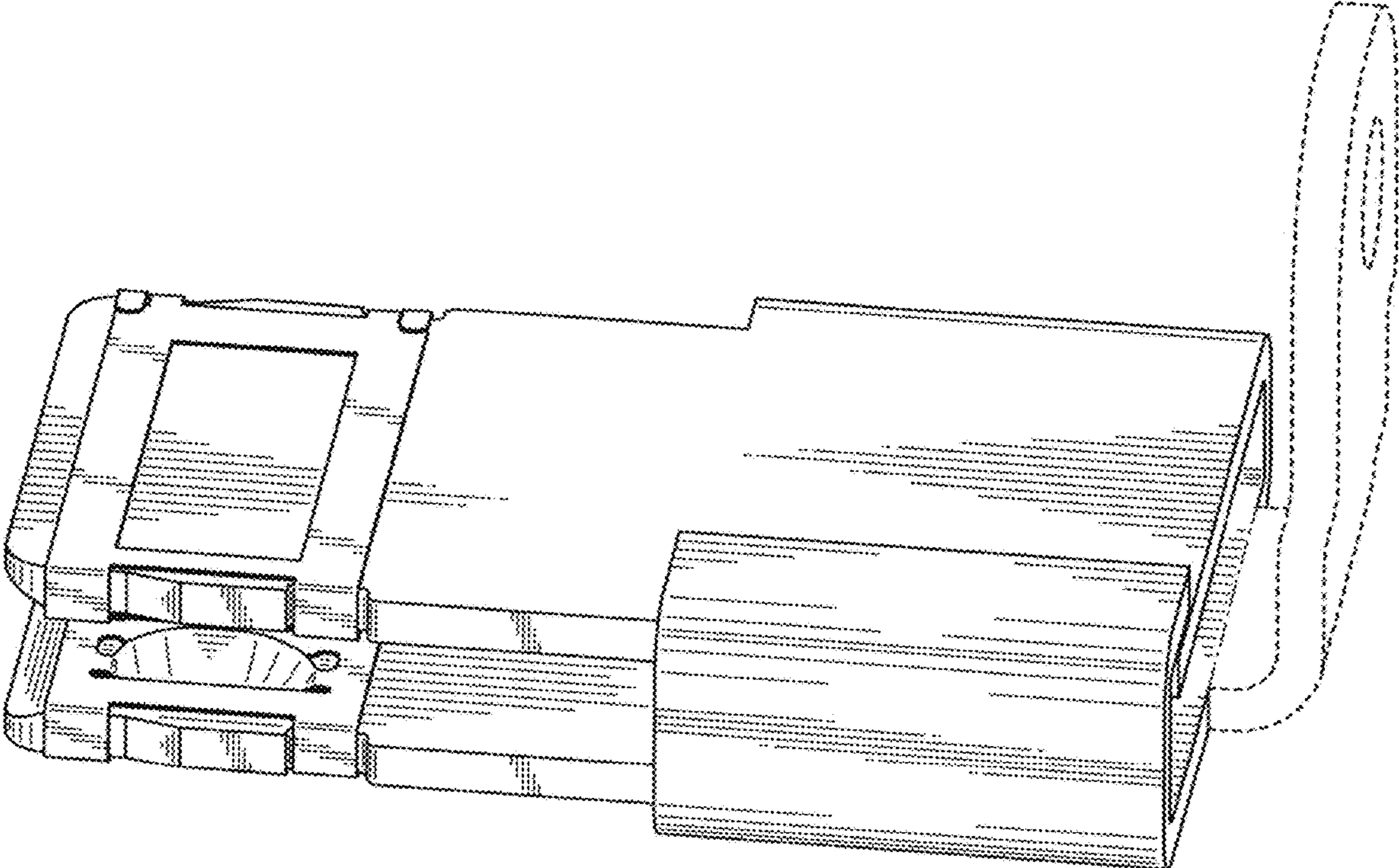


FIG. 2

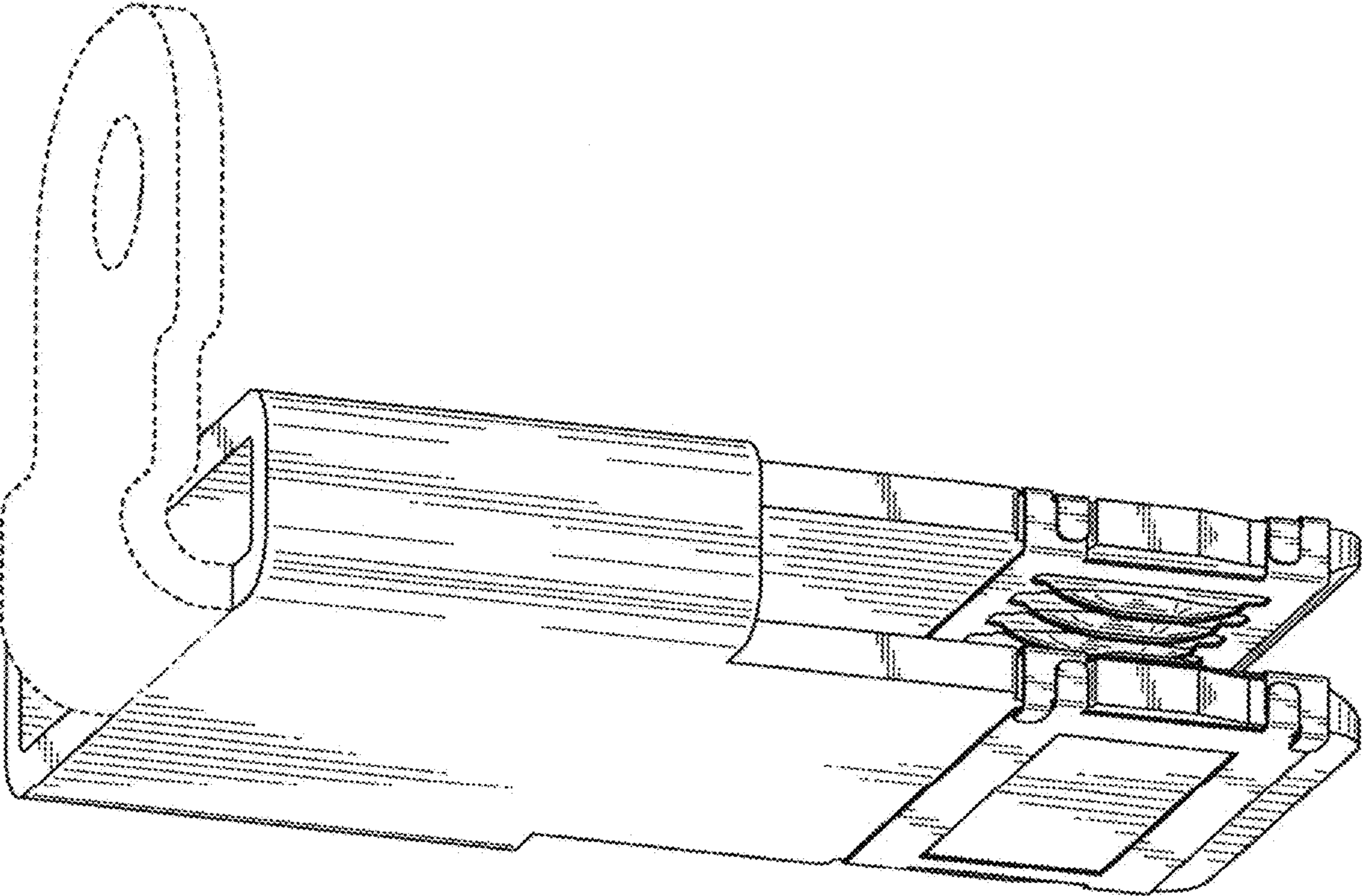


FIG. 3

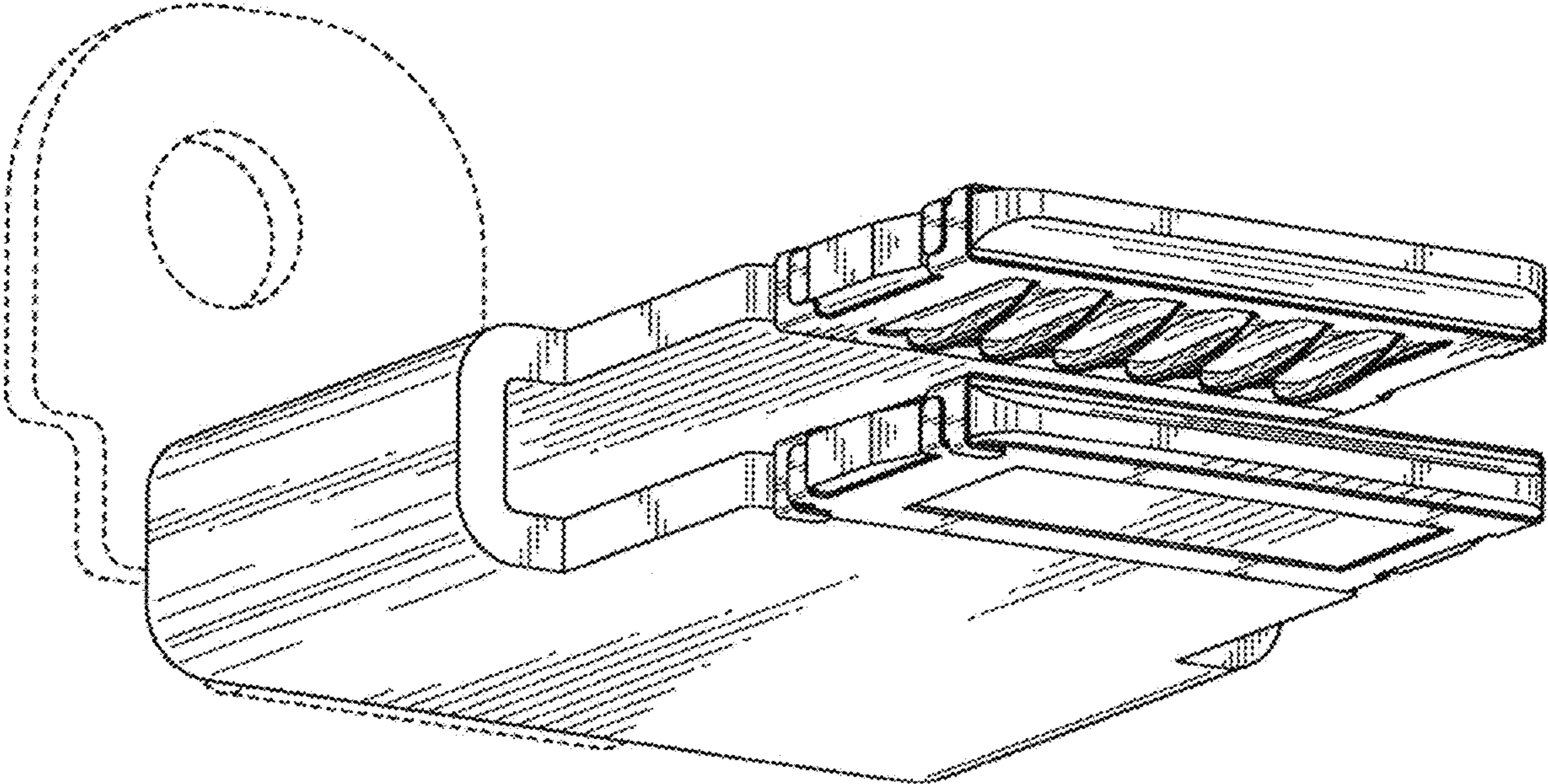


FIG. 4

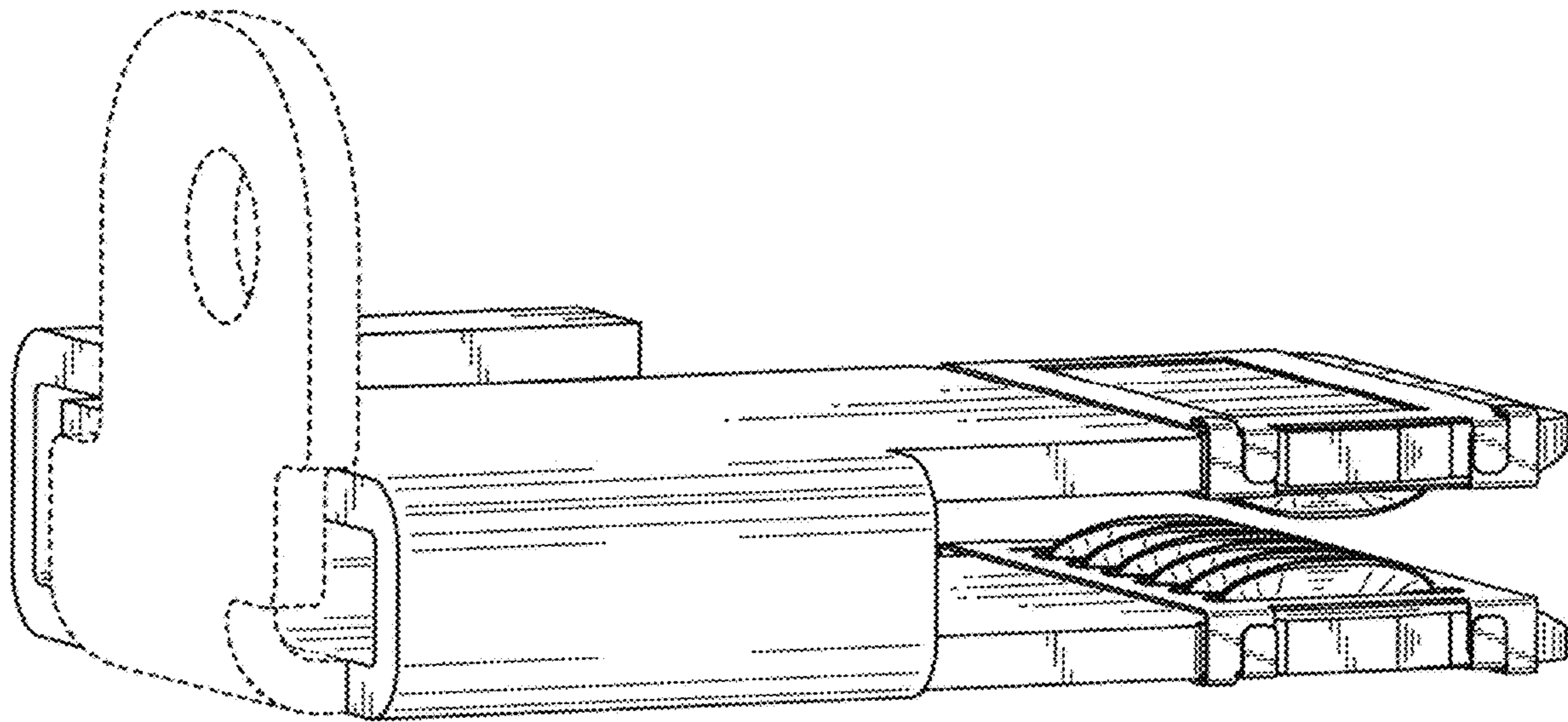


FIG. 5



FIG. 6



FIG. 7

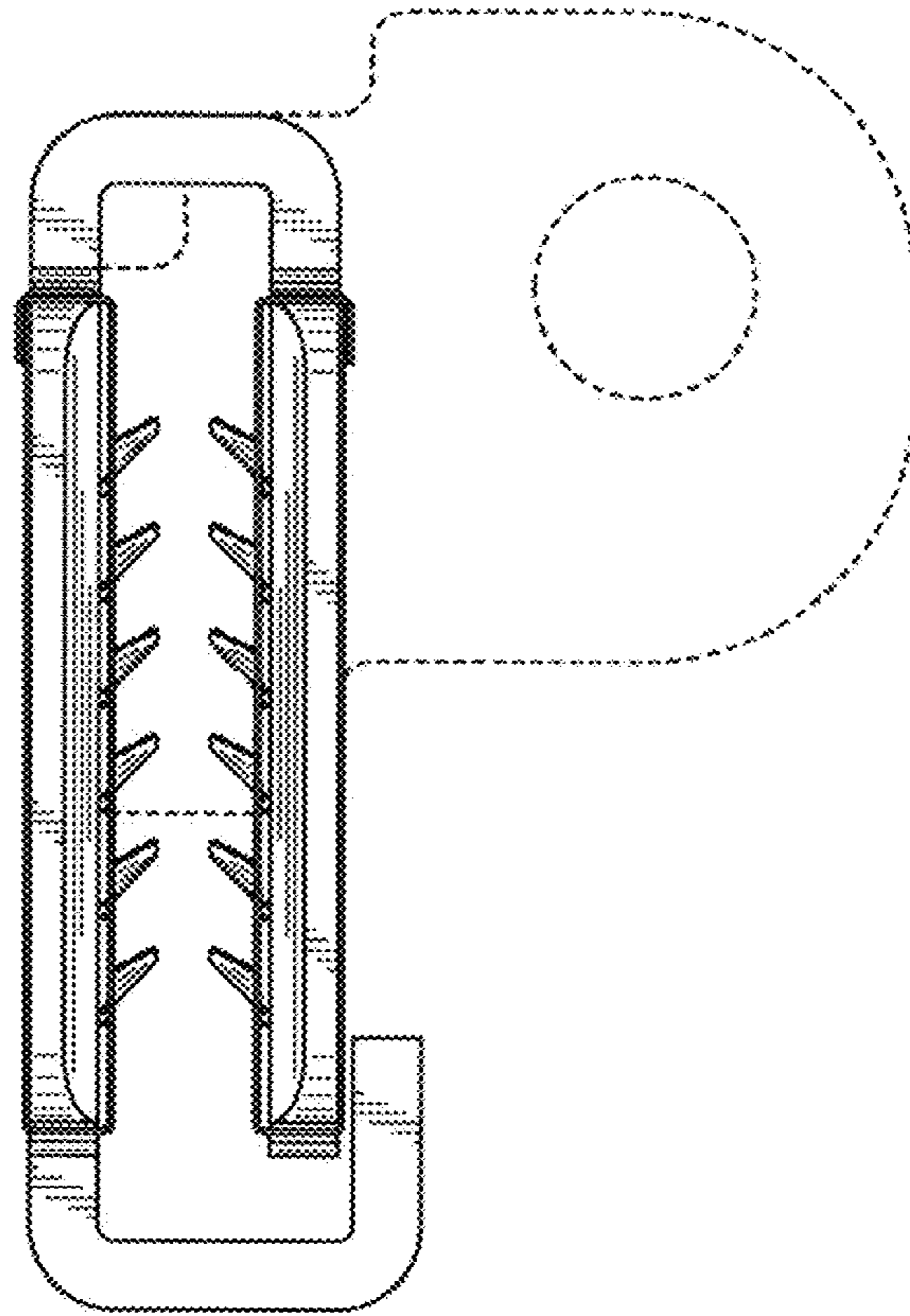


FIG. 8

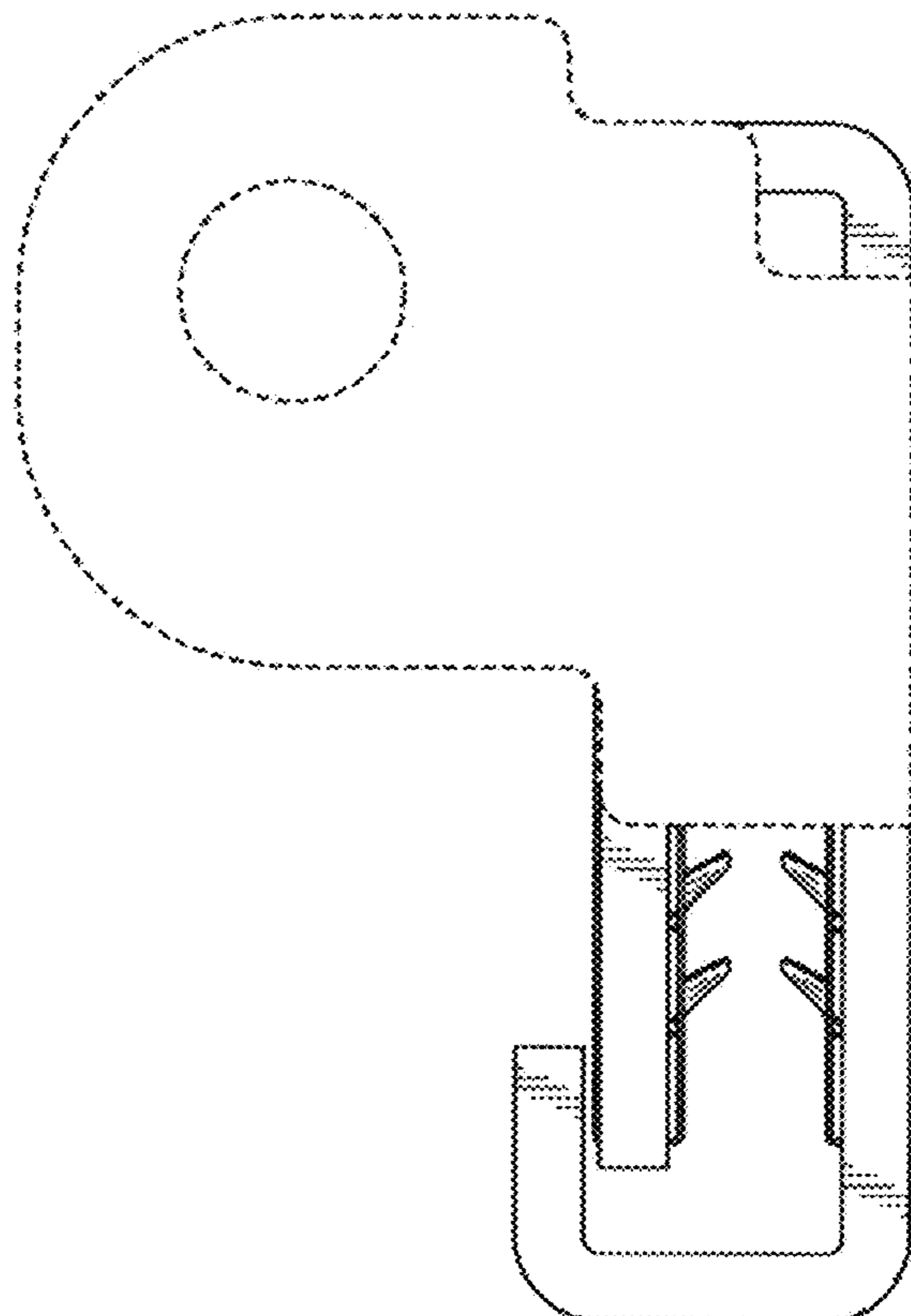


FIG. 9

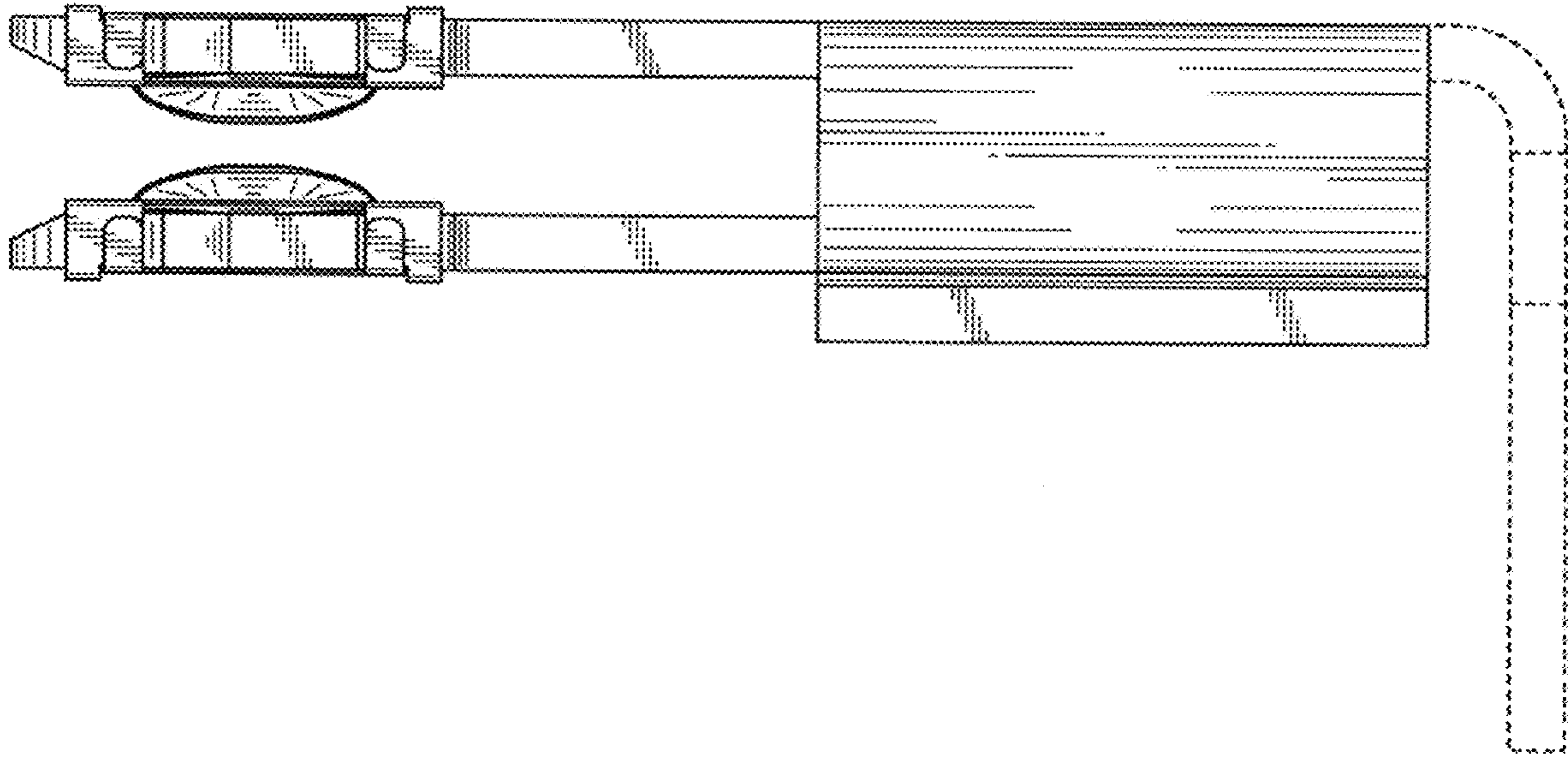


FIG. 10

