



US00D879045S

(12) **United States Design Patent**  
**Kadam et al.**

(10) **Patent No.:** **US D879,045 S**  
(45) **Date of Patent:** **\*\* Mar. 24, 2020**

(54) **RECEPTACLE**  
(71) Applicant: **EATON INTELLIGENT POWER LIMITED**, Dublin (IE)  
(72) Inventors: **Nilesh Ankush Kadam**, Pune (IN);  
**Sushant Dilip Raut**, Pune (IN);  
**Saivaraprasad Murahari**, Peachtree City, GA (US)  
(73) Assignee: **EATON INTELLIGENT POWER LIMITED**, Dublin (IE)  
(\*\*) Term: **15 Years**

D430,539 S \* 9/2000 Leopold ..... D13/139.3  
D545,272 S \* 6/2007 Zhang ..... D13/139.3  
D558,676 S \* 1/2008 Fort ..... D13/139.3  
D571,729 S \* 6/2008 Kidman ..... D13/139.3  
D601,962 S \* 10/2009 Song ..... D13/139.6  
8,193,445 B2 \* 6/2012 Li ..... H01R 13/4534  
174/50  
D662,885 S \* 7/2012 Hoffman ..... D13/139.1  
D686,577 S \* 7/2013 Flagello ..... D13/152  
D692,385 S \* 10/2013 Dodal ..... D13/139.1  
D702,640 S \* 4/2014 Restrepo ..... D13/139.1  
D703,139 S \* 4/2014 Dodal ..... D13/139.1  
D705,734 S \* 5/2014 Dodal ..... D13/139.1  
D719,511 S \* 12/2014 Dodal ..... D13/139.1  
D719,512 S \* 12/2014 Roy ..... D13/139.6  
D720,295 S \* 12/2014 Dodal ..... D13/139.1  
D722,562 S \* 2/2015 Restrepo ..... D13/139.1  
D731,432 S \* 6/2015 Murphy ..... D13/139.1

(Continued)

(21) Appl. No.: **29/654,194**  
(22) Filed: **Jun. 21, 2018**  
(51) **LOC (12) Cl.** ..... **13-03**  
(52) **U.S. Cl.**  
USPC ..... **D13/139.3**  
(58) **Field of Classification Search**  
USPC ..... D13/107, 108, 110, 123, 133,  
D13/137.1-137.4, 138.1-138.2,  
D13/139.1-139.8, 152, 154, 184  
CPC ..... H01R 11/00; H01R 9/00; H01R 13/00;  
H01R 13/04; H01R 13/10; H01R  
13/6666; H01R 13/6675; H01R 25/00;  
H01R 25/006; H01H 2207/00; H01H  
2207/022  
See application file for complete search history.

*Primary Examiner* — Rosemary K Tarcza  
*Assistant Examiner* — Christy M Nemeth  
(74) *Attorney, Agent, or Firm* — Eckert Seamans Cherin  
& Mellott, LLC

(57) **CLAIM**

The ornamental design for a receptacle, as shown and described.

**DESCRIPTION**

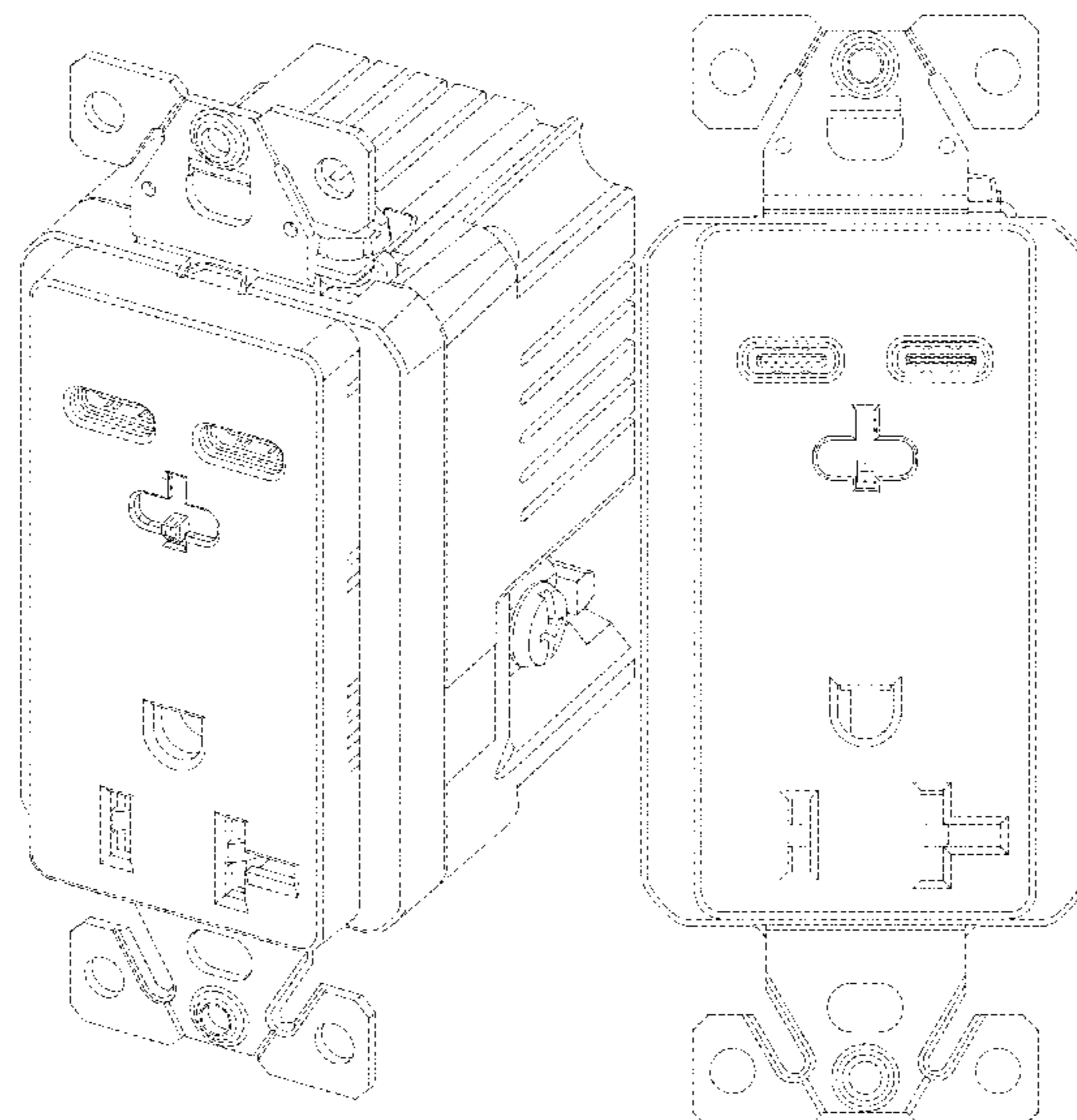
FIG. 1 is a top-front-right side perspective view of a receptacle;  
FIG. 2 is a front elevational view thereof;  
FIG. 3 is a rear elevational view thereof;  
FIG. 4 is a left side elevational view thereof;  
FIG. 5 is a right side elevational view thereof;  
FIG. 6 is a top plan view thereof; and,  
FIG. 7 is a bottom plan view thereof.  
The dot-dash broken lines are for the purpose of illustrating a boundary. The dash-dash broken lines are for the purpose of illustrating environmental subject matter. None of the broken lines form part of the claim.

(56) **References Cited**

**U.S. PATENT DOCUMENTS**

D269,341 S \* 6/1983 Doyle ..... D13/139.3  
D269,342 S \* 6/1983 Doyle ..... D13/139.3  
D269,427 S \* 6/1983 Doyle ..... D13/139.3  
D269,430 S \* 6/1983 Doyle ..... D13/139.3  
D269,509 S \* 6/1983 Doyle ..... D13/139.3  
D269,510 S \* 6/1983 Doyle ..... D13/139.3  
D269,969 S \* 8/1983 Doyle ..... D13/139.3

**1 Claim, 7 Drawing Sheets**



(56)

## References Cited

## U.S. PATENT DOCUMENTS

D732,719 S \* 6/2015 Mozdzer ..... D13/139.1  
9,048,559 B2 \* 6/2015 Huang ..... H01R 13/4534  
D744,952 S \* 12/2015 Ni ..... D13/139.3  
D754,074 S \* 4/2016 DeCosta ..... D13/139.3  
9,496,726 B2 \* 11/2016 Frid ..... H02J 7/0021  
9,520,671 B2 \* 12/2016 Misener ..... H01R 13/506  
D778,238 S \* 2/2017 Gouhl ..... D13/137.3  
D794,575 S \* 8/2017 Mortun ..... D13/139.1  
D800,662 S \* 10/2017 Wu ..... D13/137.1  
9,786,460 B2 \* 10/2017 Simonin ..... H01R 13/7135  
9,859,670 B1 \* 1/2018 Liao ..... H01R 27/00  
D813,818 S \* 3/2018 Ni ..... D13/137.2  
D817,281 S \* 5/2018 Salas ..... D13/137.2  
D817,884 S \* 5/2018 Salas ..... D13/137.2  
D817,885 S \* 5/2018 Salas ..... D13/137.2  
D820,211 S \* 6/2018 Salas ..... D13/137.2  
10,014,639 B1 \* 7/2018 Satyanarayanan ... H01R 25/006  
D825,469 S \* 8/2018 Pan ..... D13/139.1  
D826,161 S \* 8/2018 Zhuang ..... D13/139.3  
D839,830 S \* 2/2019 Weeks ..... D13/139.6  
D840,346 S \* 2/2019 Weeks ..... D13/139.3  
D840,348 S \* 2/2019 Weeks ..... D13/139.6  
D840,349 S \* 2/2019 Weeks ..... D13/139.6  
D845,245 S \* 4/2019 Tao ..... D13/139.3  
2019/0027876 A1 \* 1/2019 Murahari ..... H01R 27/00

\* cited by examiner

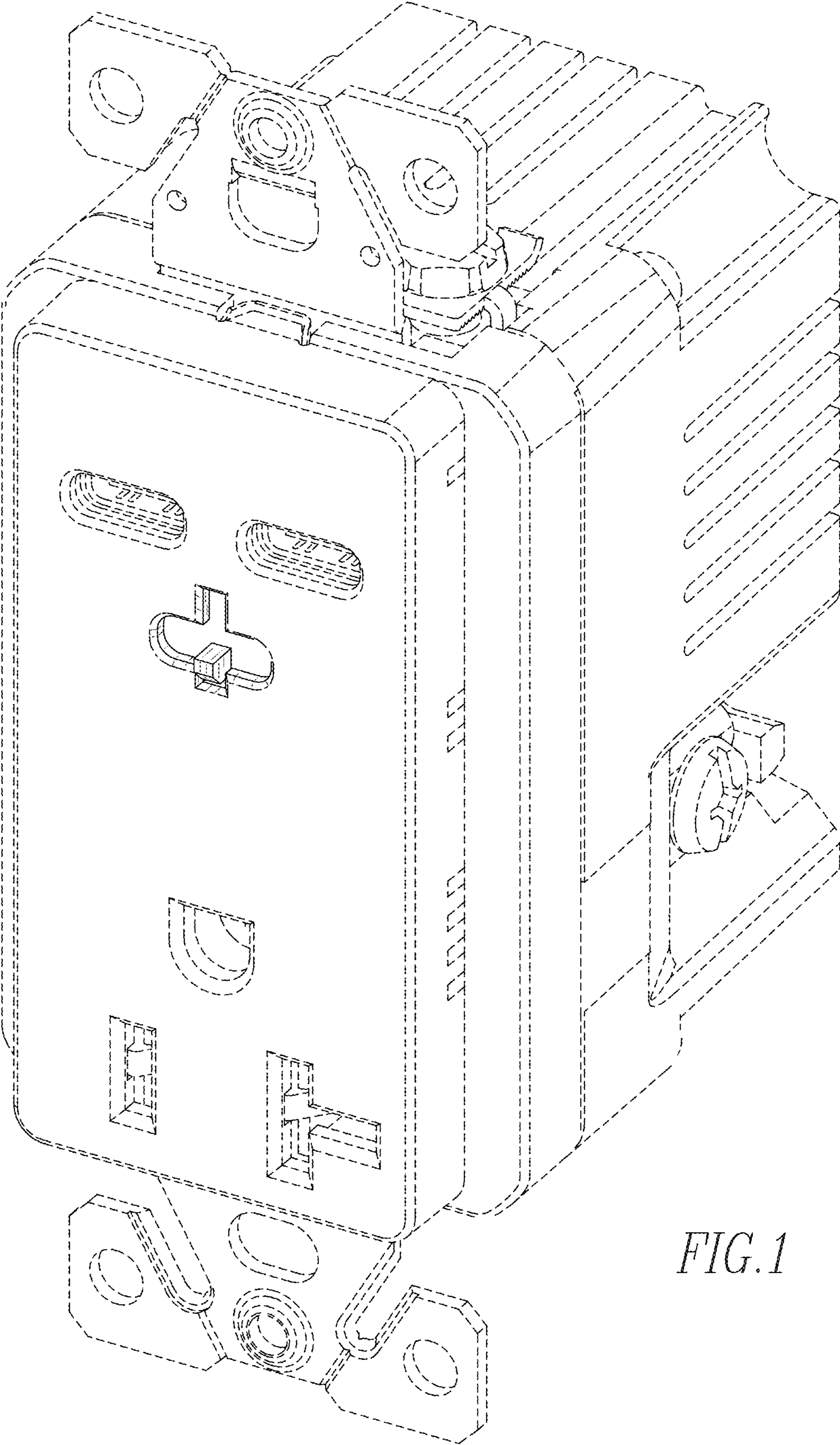


FIG. 1

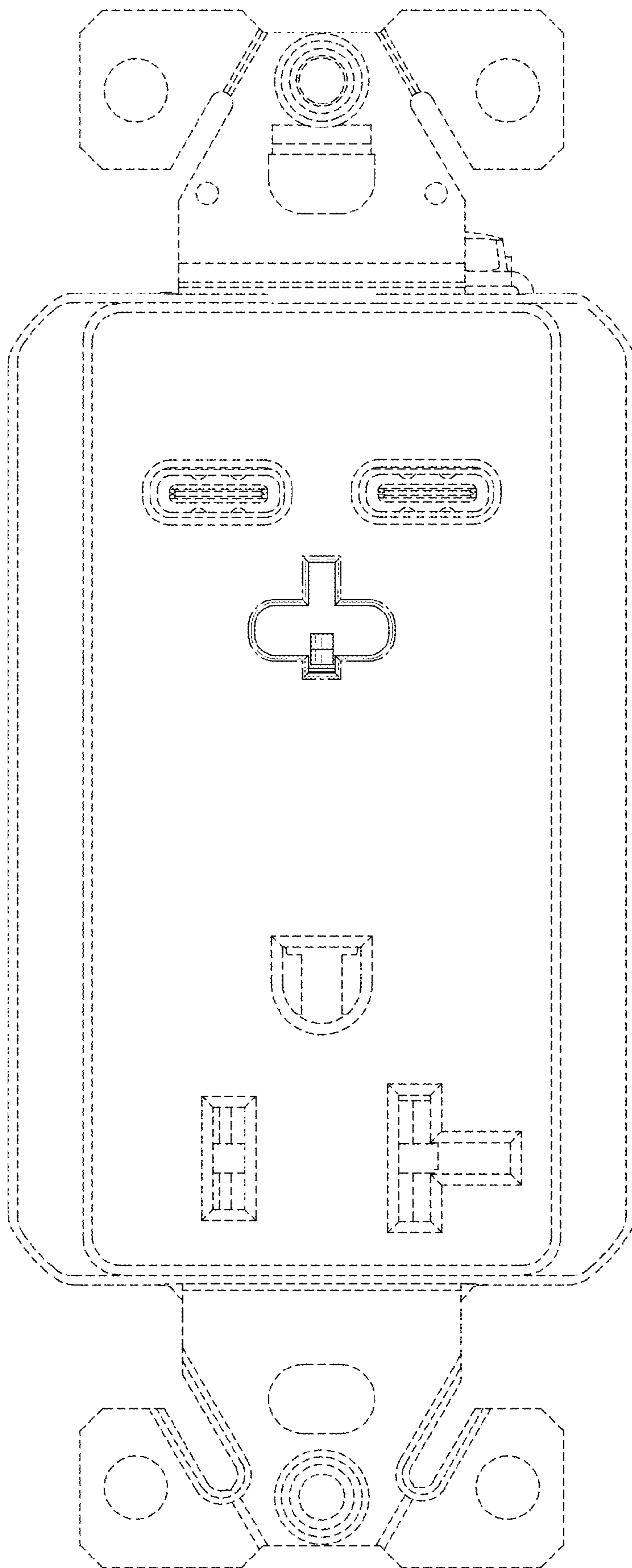
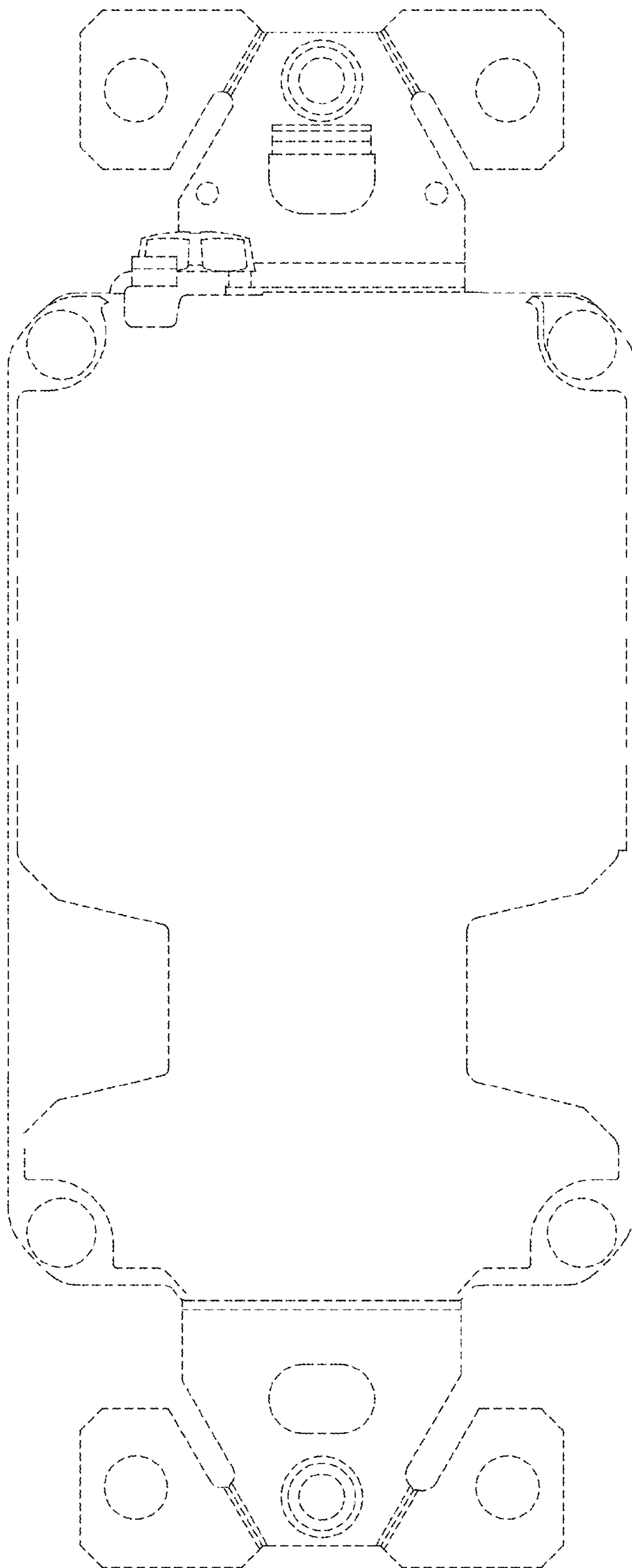


FIG. 2



*FIG. 3*

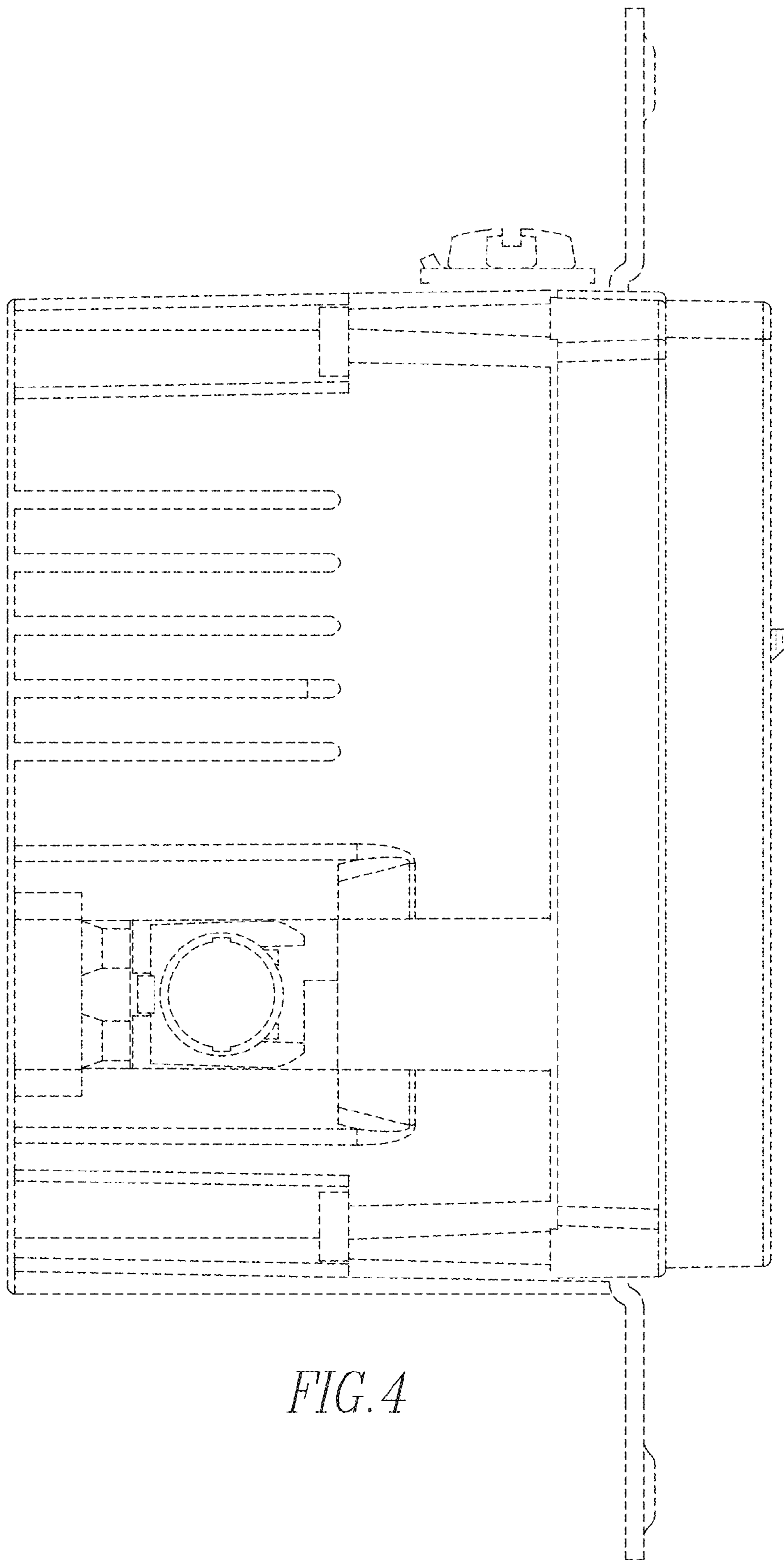


FIG. 4

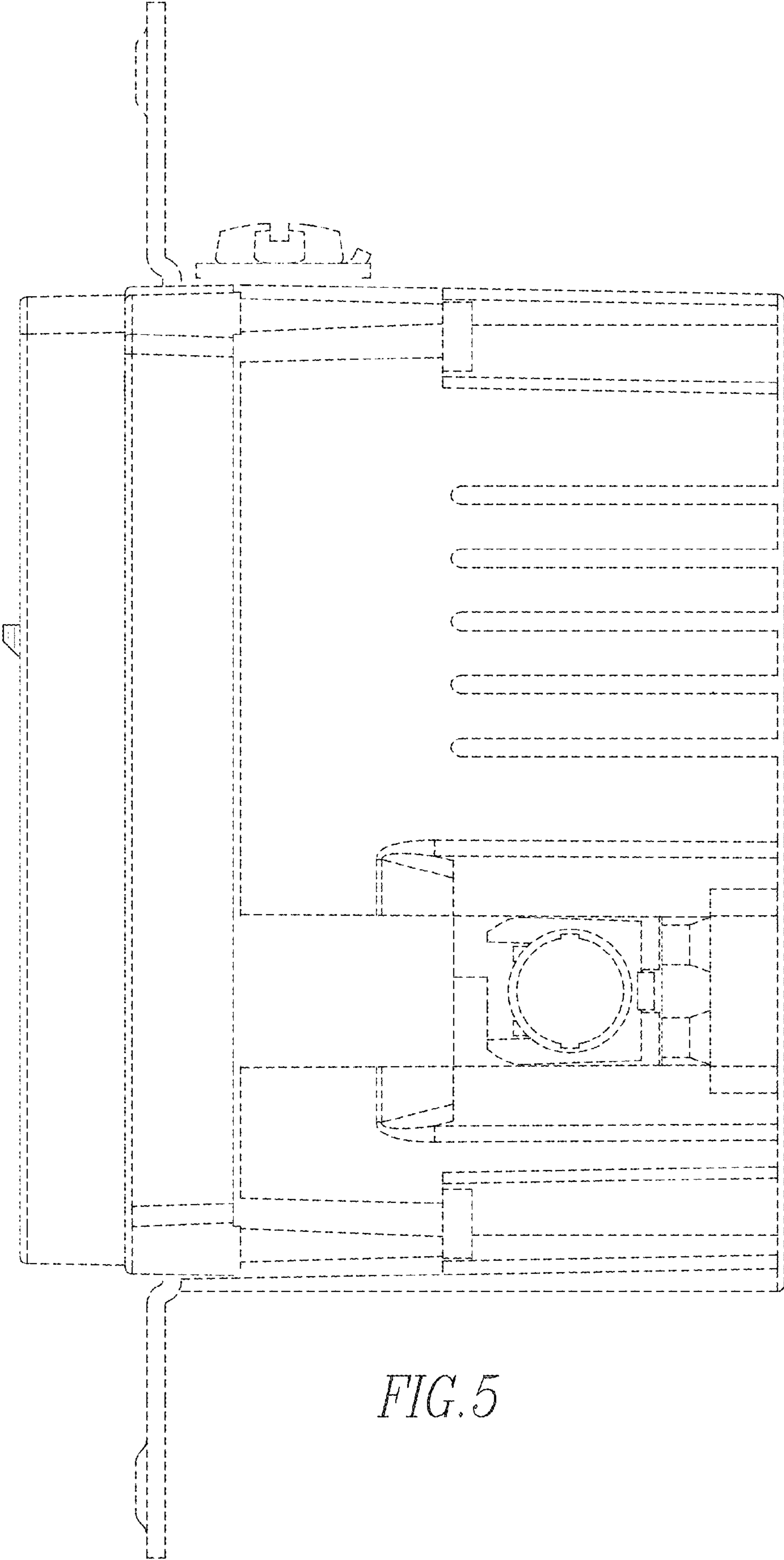


FIG. 5

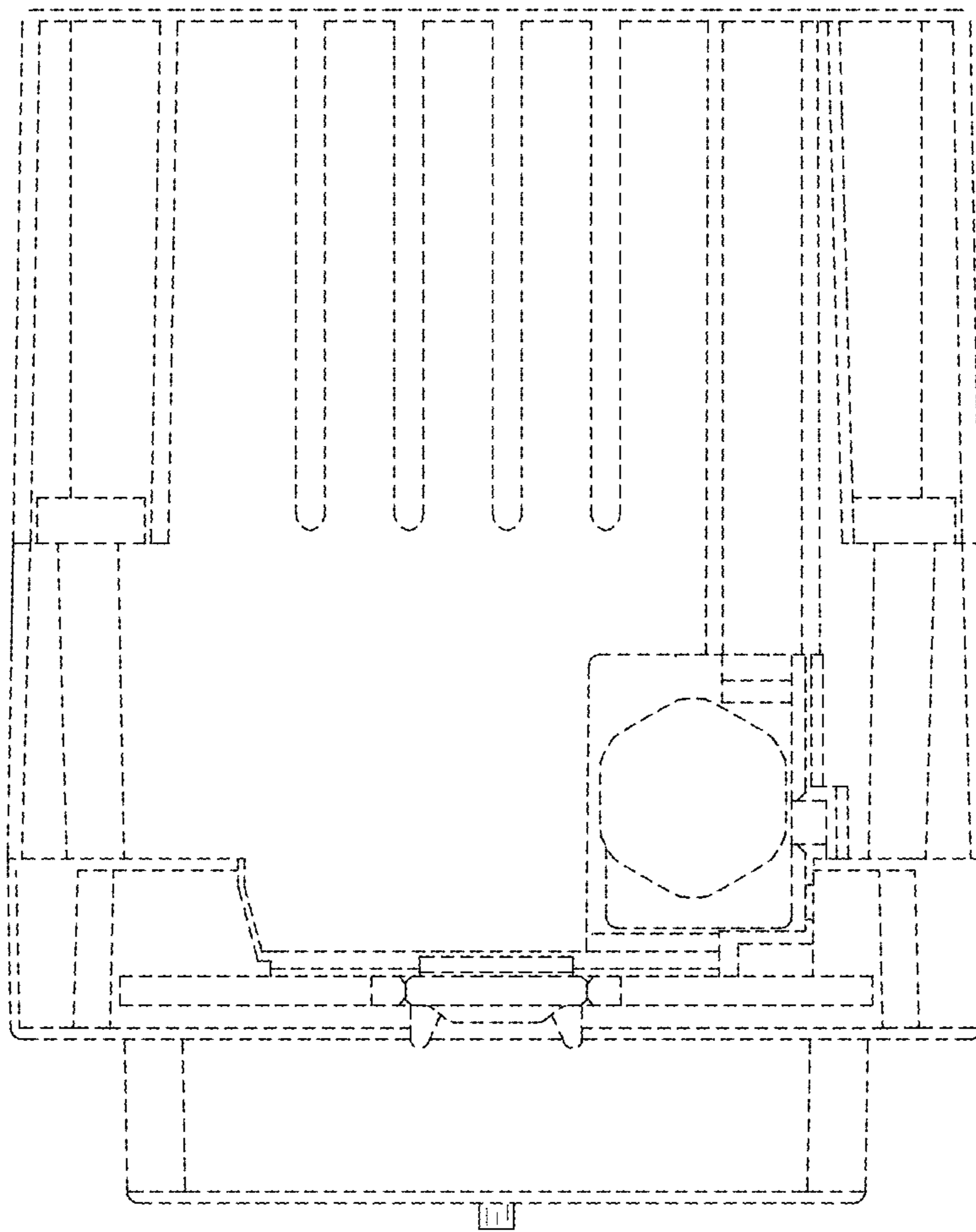


FIG. 6



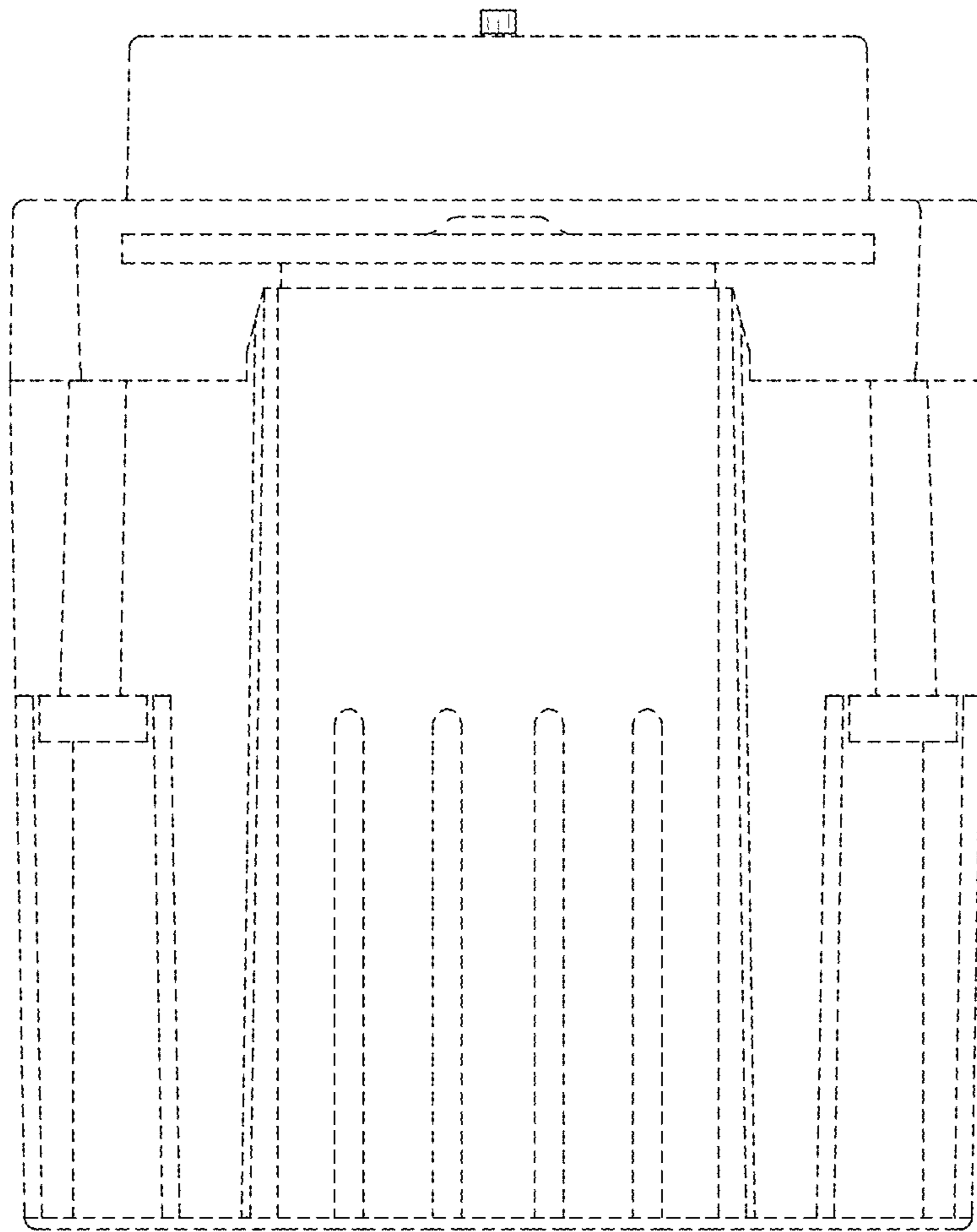


FIG. 7