



US00D879043S

(12) **United States Design Patent**
Hu

(10) **Patent No.:** **US D879,043 S**

(45) **Date of Patent:** **** Mar. 24, 2020**

(54) **ELECTRICAL CABLE PLUG**

(71) Applicant: **Qingdao Baobin Electronics Technology Co., Ltd.**, Qingdao, Shandong (CN)

(72) Inventor: **Baobin Hu**, Shandong (CN)

(**) Term: **15 Years**

(21) Appl. No.: **29/708,973**

(22) Filed: **Oct. 10, 2019**

(51) **LOC (12) Cl.** **13-03**

(52) **U.S. Cl.**
USPC **D13/133**

(58) **Field of Classification Search**
USPC D13/107, 108, 110, 123, 133, 146, 147, D13/149, 153, 154, 156, 173, 184, 199
CPC ... G02B 6/38; H01R 4/66; H01R 9/00; H01R 11/00; H01R 12/24; H01R 13/00; H01R 13/436; H01R 13/58; H01R 13/625; H01R 13/627; H01R 13/64; H01R 13/645
See application file for complete search history.

(56) **References Cited**

U.S. PATENT DOCUMENTS

D245,417 S *	8/1977	Kneller	D13/145
4,138,185 A *	2/1979	Jaconette, Jr.	H01R 13/5825 174/156
D257,035 S *	9/1980	Ostrelich	D13/138.1
D524,742 S *	7/2006	Kumagai	D13/147
7,214,086 B1 *	5/2007	Hsieh	H01R 13/53 439/352
D577,678 S	9/2008	Ball et al.		
D586,759 S *	2/2009	Victor	D13/156
D616,364 S *	5/2010	Nylen	D13/108

D625,688 S *	10/2010	So	D13/133
D636,340 S *	4/2011	Sasaki	D13/147
D642,128 S *	7/2011	Ohkuma	D13/133
D642,984 S *	8/2011	Sasaki	D13/147
8,221,163 B2 *	7/2012	Kawakami	H01R 13/6593 439/607.13
D753,662 S *	4/2016	Arrington	D14/433
D806,653 S *	1/2018	DeCosta	D13/133
2004/0147170 A1 *	7/2004	Greenwood	H01R 13/504 439/696
2009/0247017 A1 *	10/2009	Wu	H01R 13/502 439/660

* cited by examiner

Primary Examiner — Angela J Lee

Assistant Examiner — Shawn T Gingrich

(74) *Attorney, Agent, or Firm* — ZanIP; Jie Yang

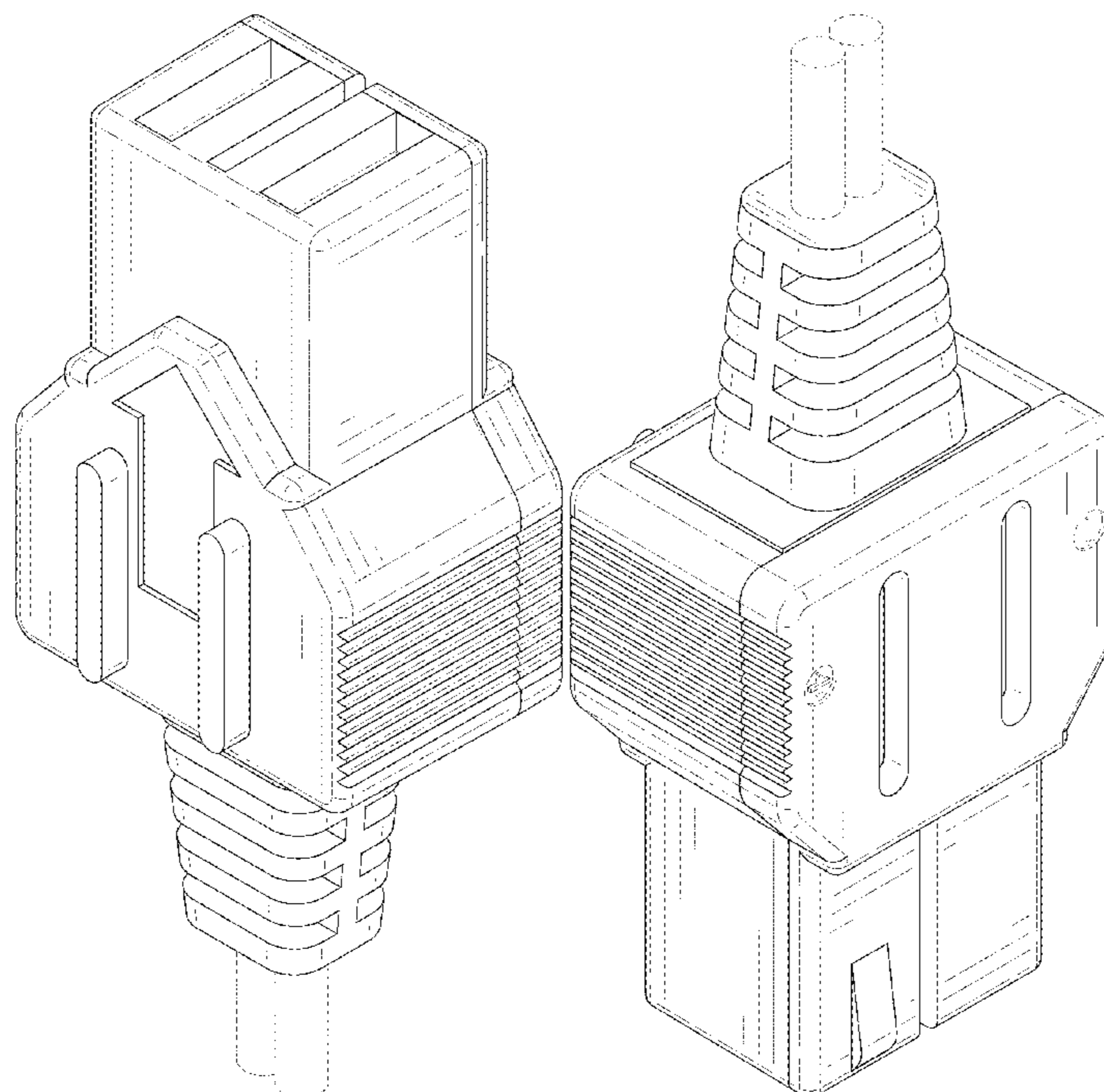
(57) **CLAIM**

The ornamental design for an electrical cable plug, as shown and described.

DESCRIPTION

FIG. 1 is a front and top perspective view of an electrical cable plug, showing my new design;
FIG. 2 is a rear and bottom perspective view thereof;
FIG. 3 is a front elevational view thereof;
FIG. 4 is a rear elevational view thereof;
FIG. 5 is a left side elevational view thereof;
FIG. 6 is a right side elevational view thereof;
FIG. 7 is a top plan view thereof;
FIG. 8 is a bottom plan view thereof; and,
FIG. 9 is an enlarged view of a portion indicated in FIG. 8.
The broken lines in the figures illustrate portions of the electrical cable plug that form no part of the claimed design.

1 Claim, 9 Drawing Sheets



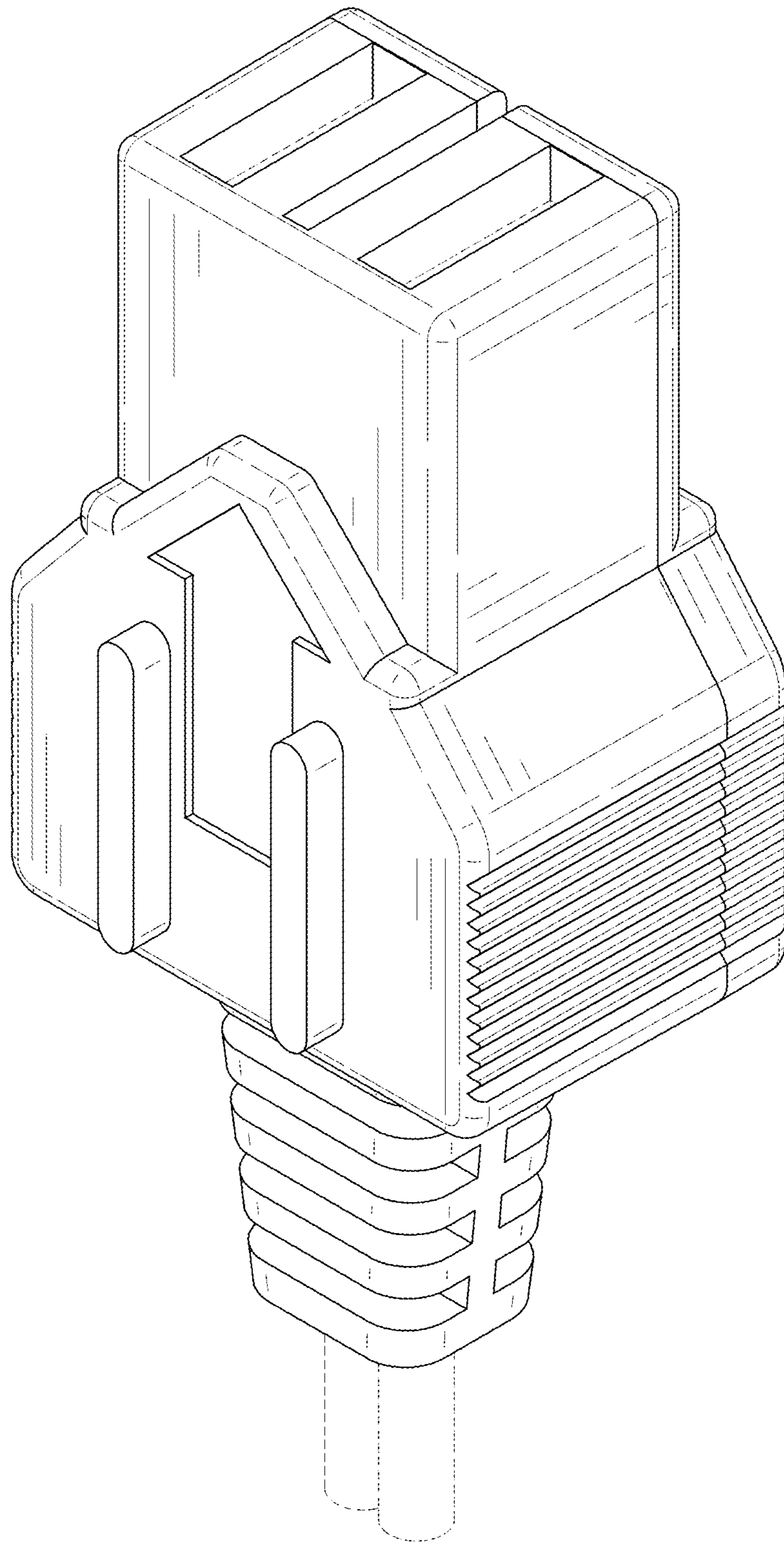


FIG. 1

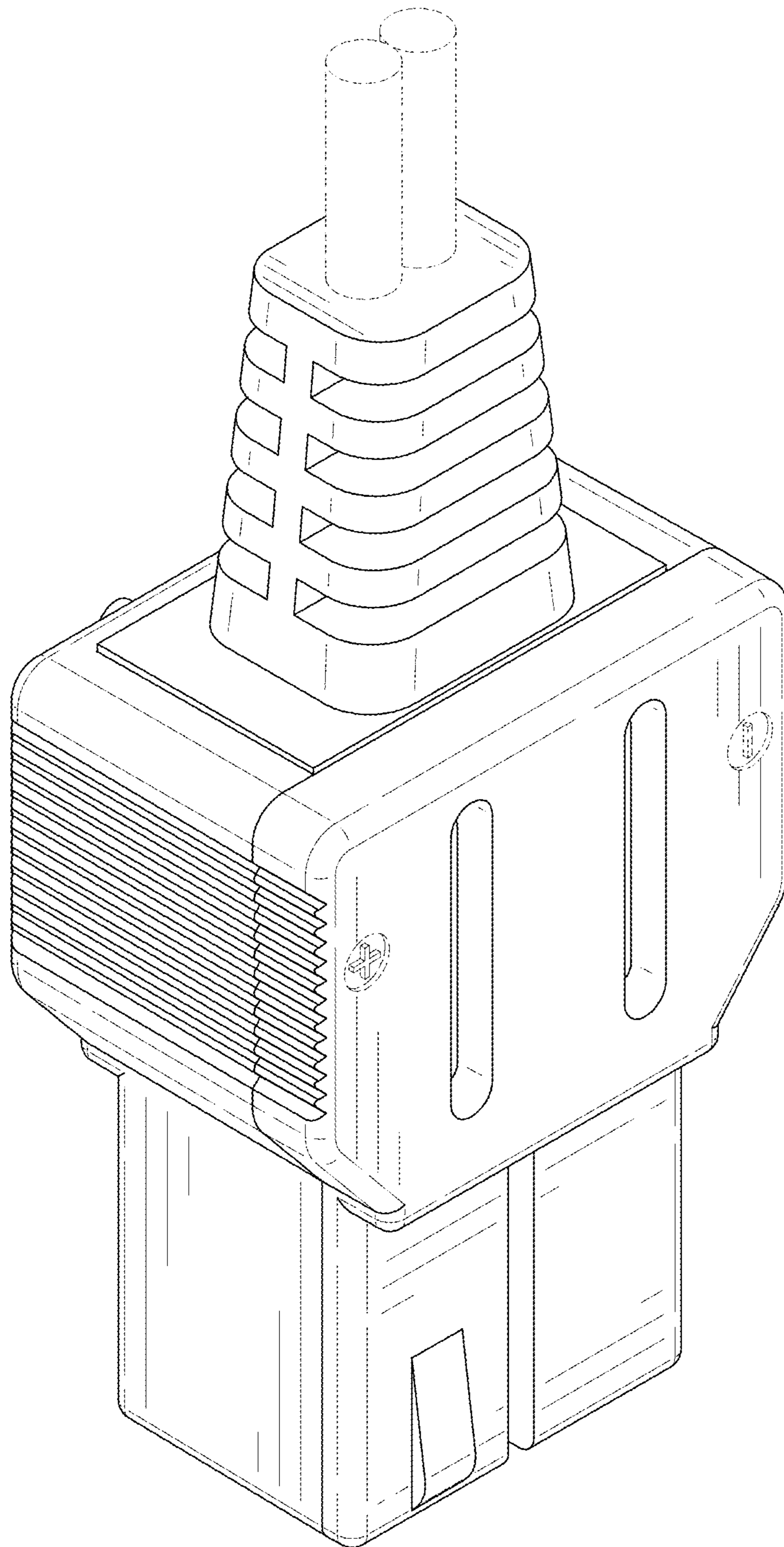


FIG. 2

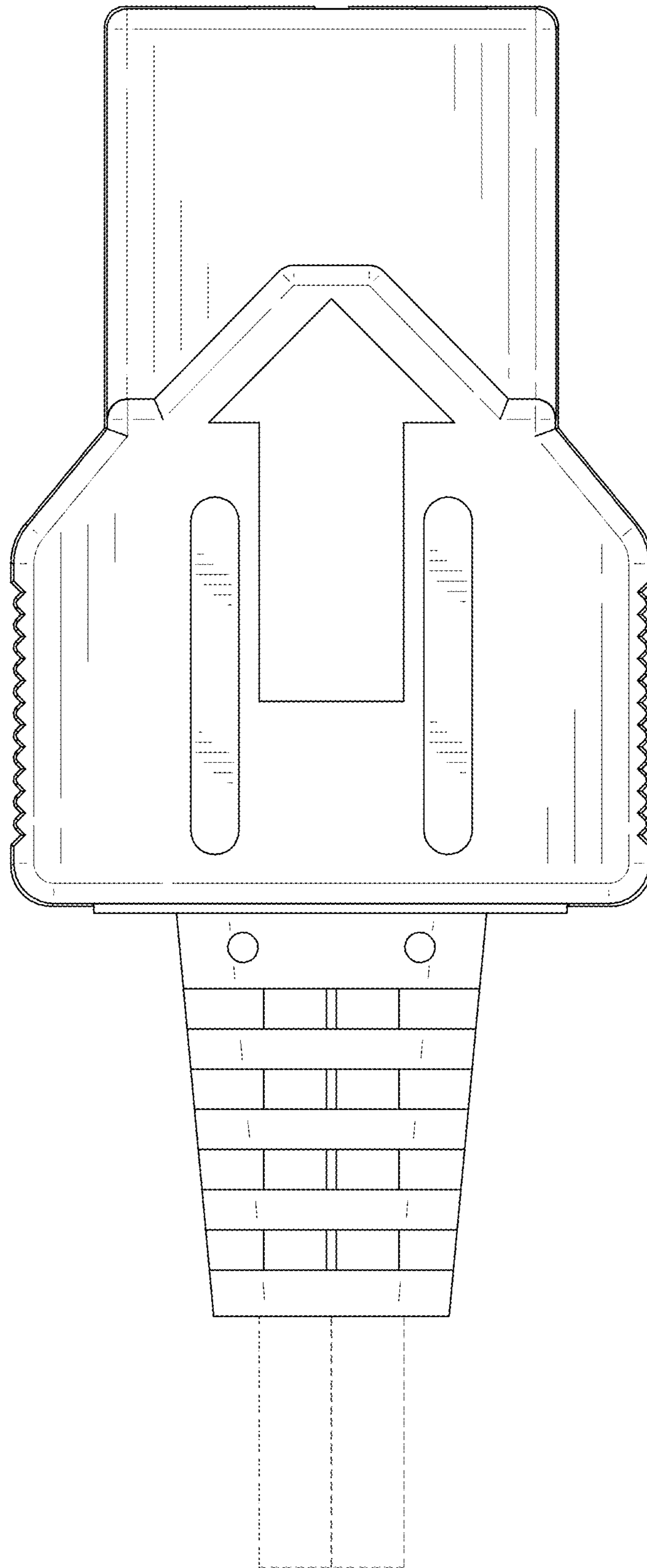


FIG. 3

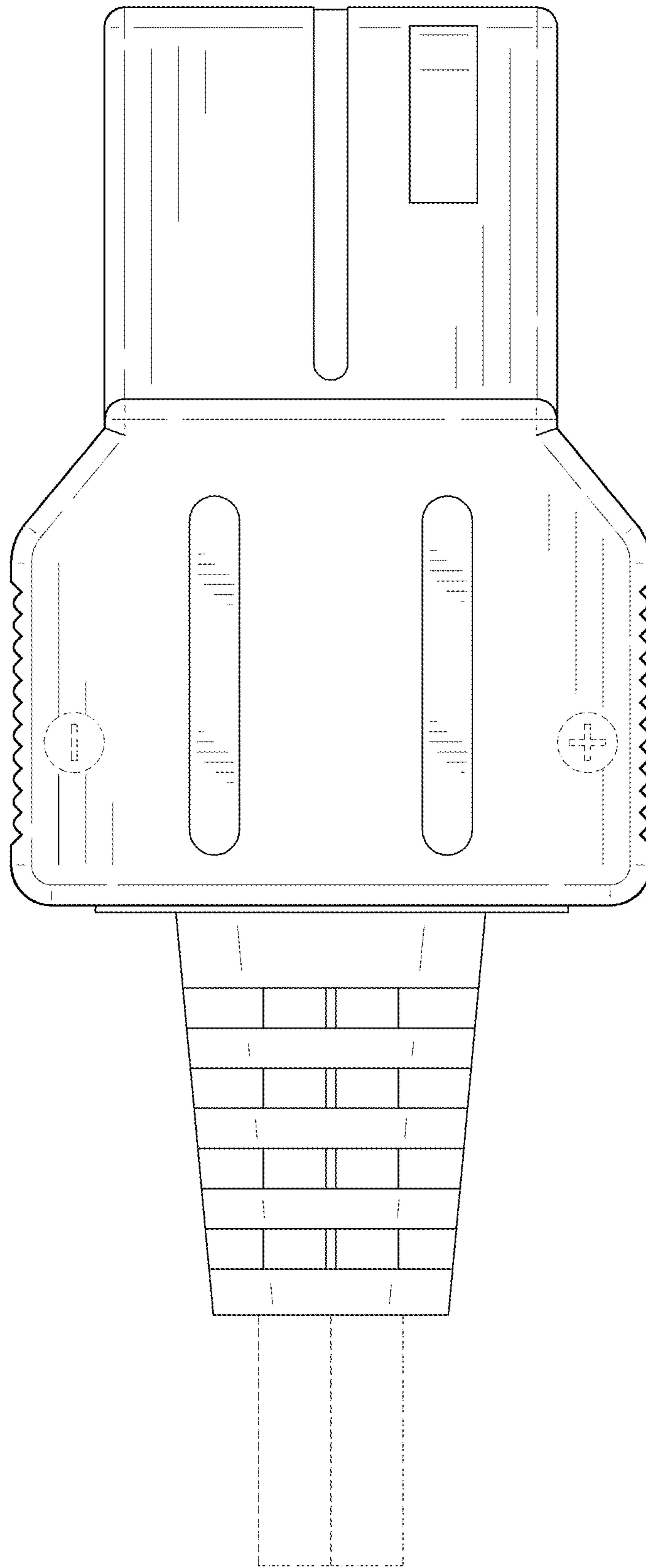


FIG. 4

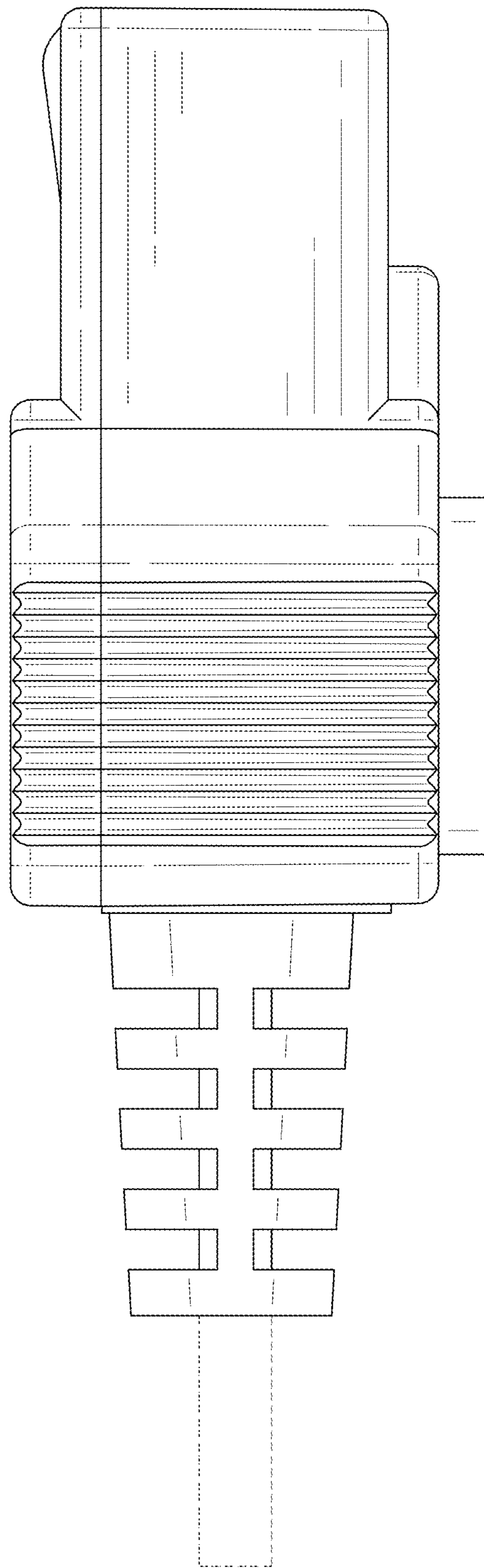


FIG. 5

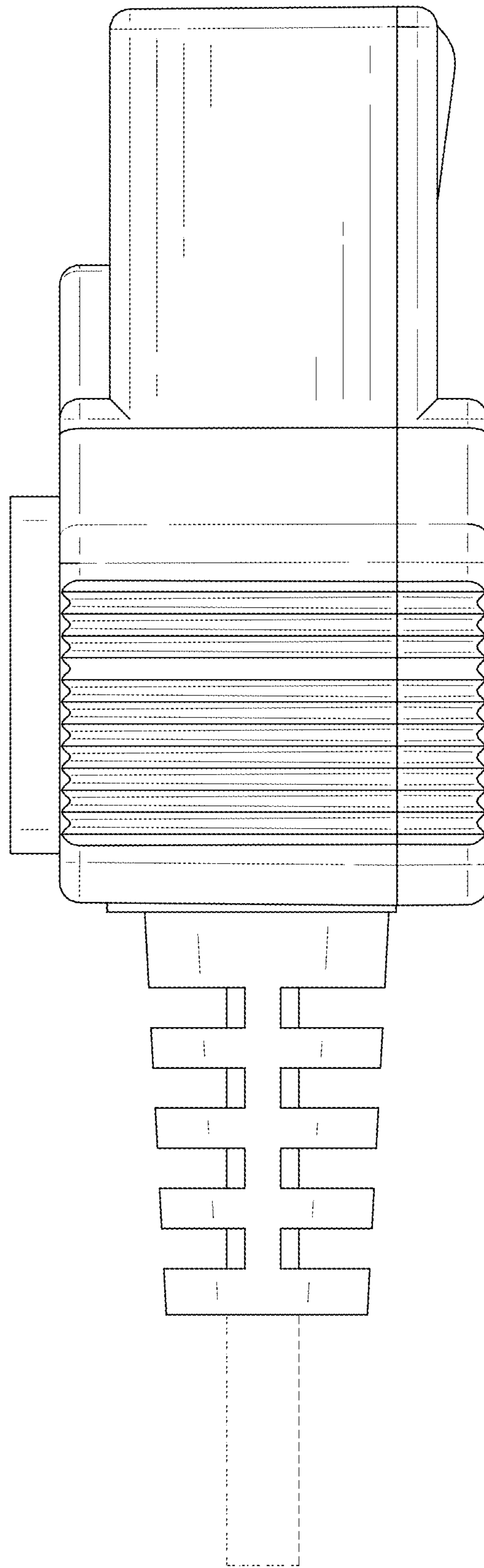


FIG. 6

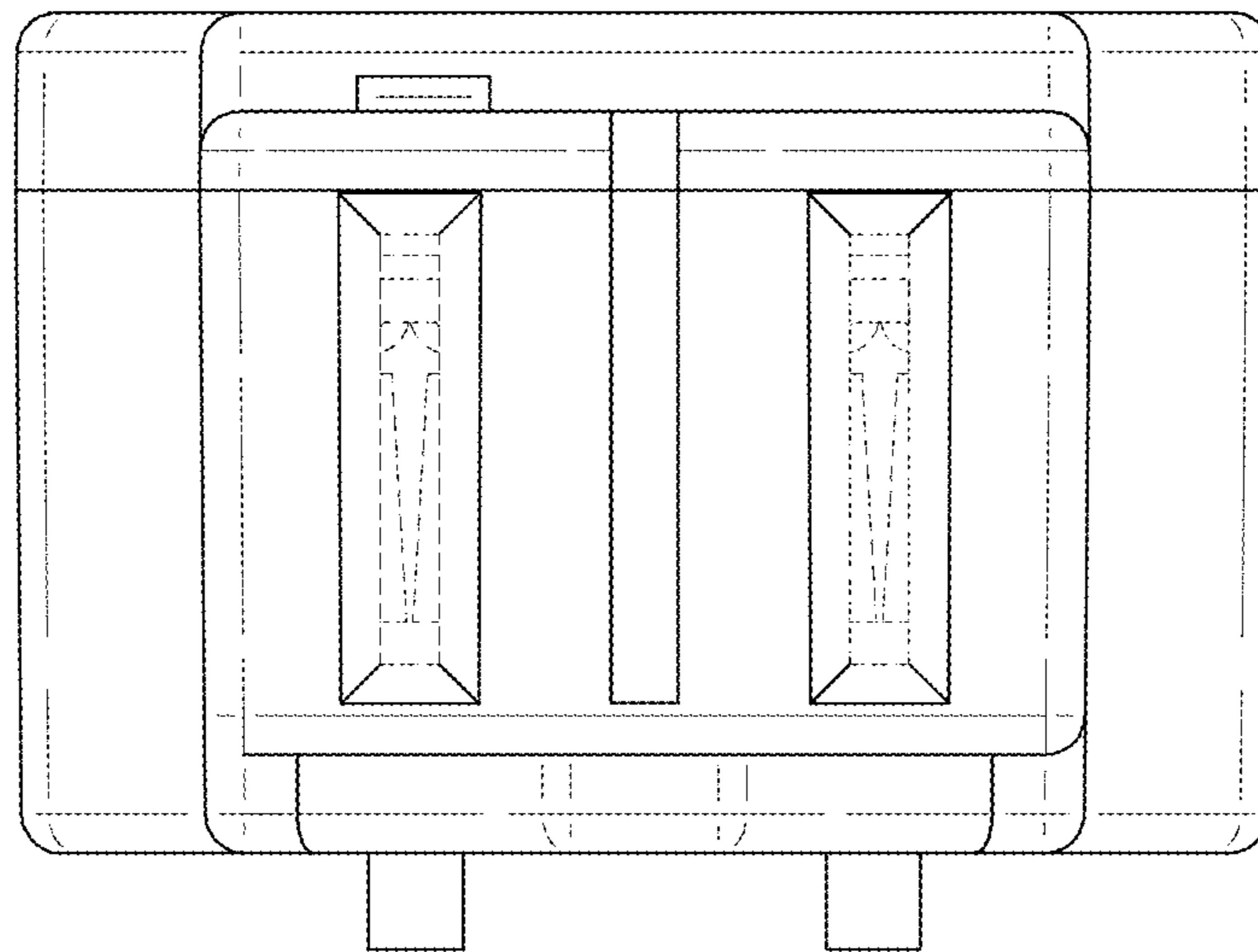


FIG. 7

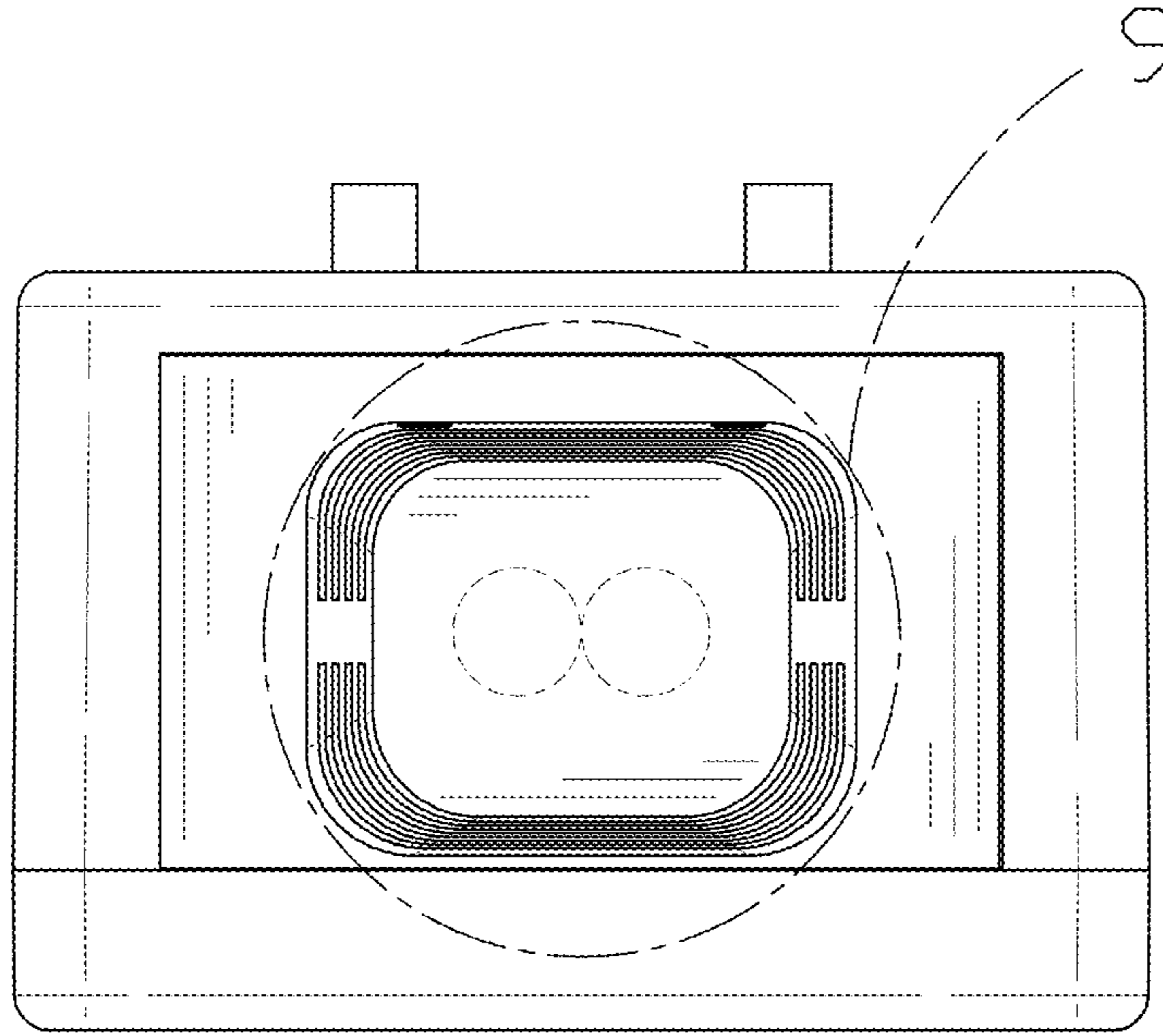


FIG. 8

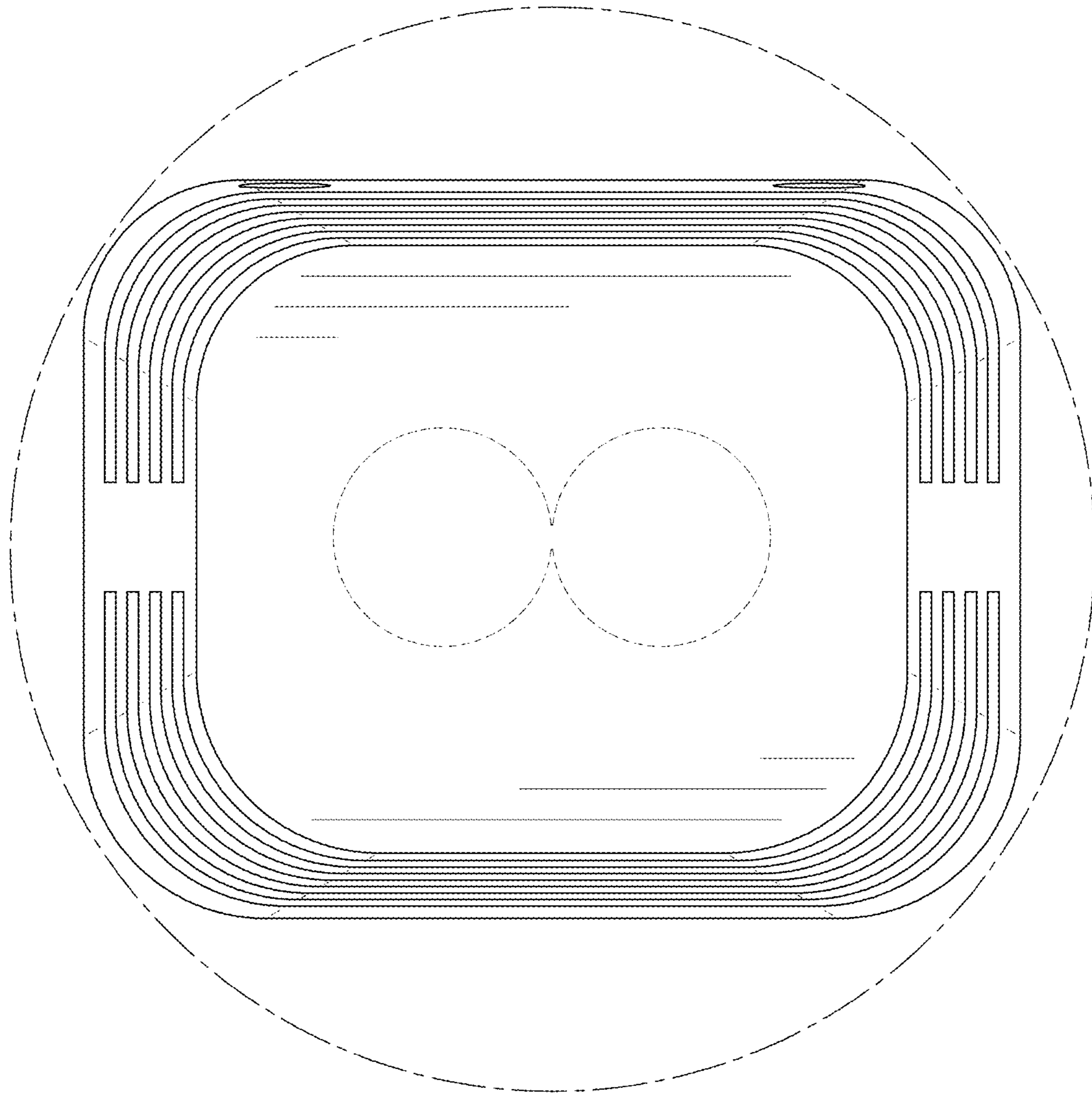


FIG. 9