



US00D879042S

(12) **United States Design Patent**
Hu

(10) **Patent No.:** **US D879,042 S**

(45) **Date of Patent:** **** Mar. 24, 2020**

(54) **ELECTRICAL CABLE PLUG**

(71) Applicant: **Qingdao Baobin Electronics Technology Co., Ltd.**, Qingdao, Shandong (CN)

(72) Inventor: **Baobin Hu**, Shandong (CN)

(**) Term: **15 Years**

(21) Appl. No.: **29/704,421**

(22) Filed: **Sep. 4, 2019**

(51) **LOC (12) Cl.** **13-03**

(52) **U.S. Cl.**
USPC **D13/133**

(58) **Field of Classification Search**
USPC D13/110, 123, 133, 146, 147, 149, 153, D13/154, 156, 173, 177, 178, 184, 199
CPC H01R 13/00; H01R 13/18; H01R 13/26; H01R 13/424; H01R 13/514; H01R 13/6272; H01R 13/6273; H01R 13/6275; H01R 13/633; H01R 13/635; H01R 13/64; H01R 27/00; H01R 31/00; H01R 43/00; H01R 43/20

See application file for complete search history.

(56) **References Cited**

U.S. PATENT DOCUMENTS

D248,465 S * 7/1978 Roberts D13/147
D259,485 S * 6/1981 Manno D13/133
D279,669 S * 7/1985 Robinson D13/133
D317,591 S * 6/1991 Matsuzaki D13/147
D348,250 S * 6/1994 Shababy D13/144

D510,908 S * 10/2005 Byrne D13/147
D531,959 S * 11/2006 Kondas D13/147
D577,678 S * 9/2008 Ball et al.
D623,597 S * 9/2010 Barrios D13/147
D837,159 S * 1/2019 Untiedt D13/133
D843,951 S * 3/2019 Lim D13/154
2003/0180004 A1 * 9/2003 Cox G02B 6/381 385/53

* cited by examiner

Primary Examiner — Angela J Lee

Assistant Examiner — Shawn T Gingrich

(74) *Attorney, Agent, or Firm* — Jie Yang; ZANIP

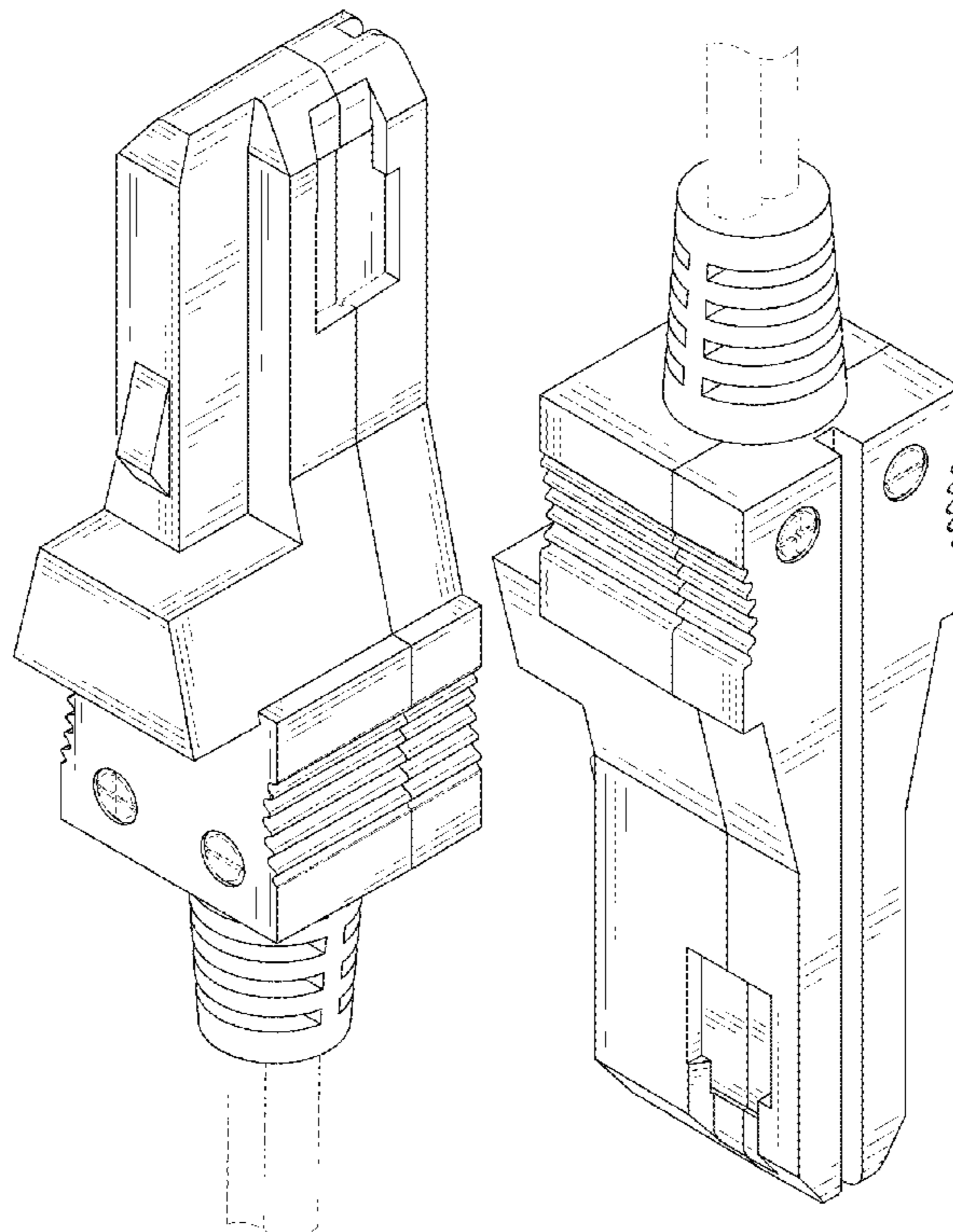
(57) **CLAIM**

The ornamental design for an electrical cable plug, as shown and described.

DESCRIPTION

FIG. 1 is a front and top perspective view of an electrical cable plug, showing my new design;
FIG. 2 is a rear and bottom perspective view thereof;
FIG. 3 is a front elevational view thereof;
FIG. 4 is a rear elevational view thereof;
FIG. 5 is a left side elevational view thereof;
FIG. 6 is a right side elevational view thereof;
FIG. 7 is an enlarged top plan view thereof;
FIG. 8 is an enlarged bottom plan view thereof; and,
FIG. 9 is an enlarged view of a portion indicated in FIG. 8.
The broken lines in the figures illustrate portions of the electrical cable plug that form no part of the claimed design.

1 Claim, 9 Drawing Sheets



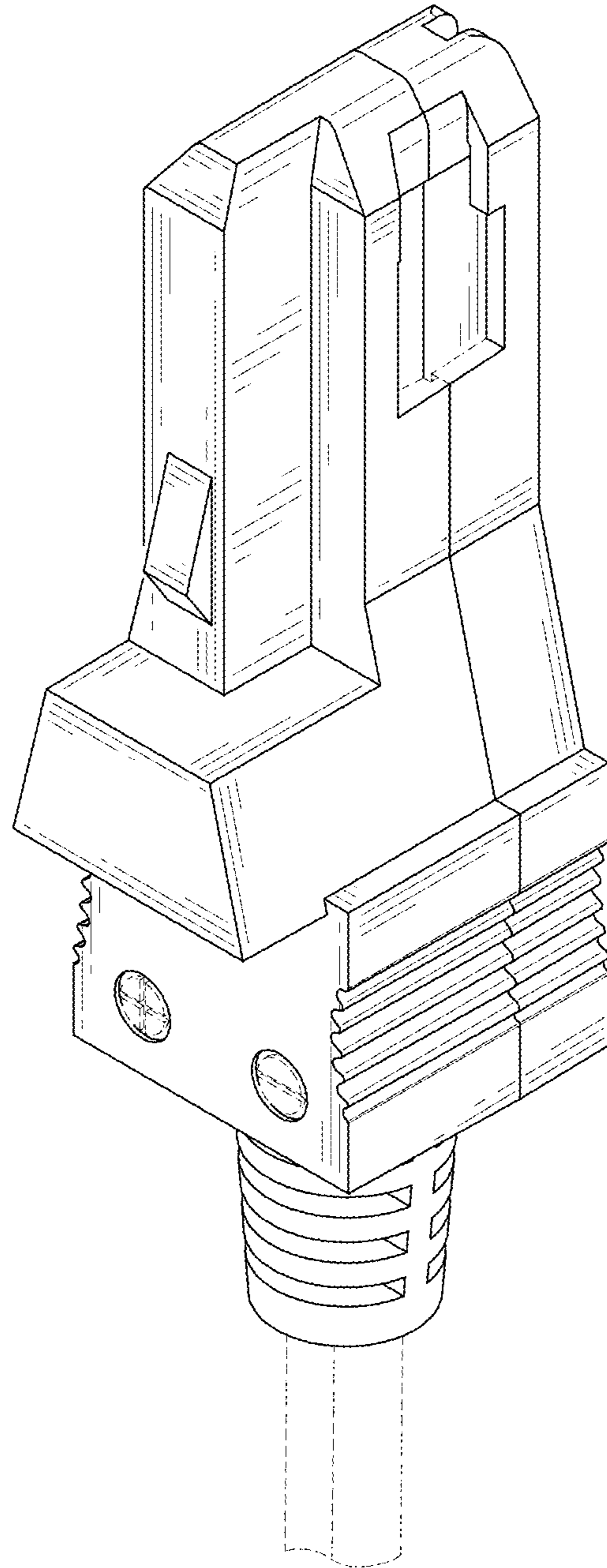


FIG. 1

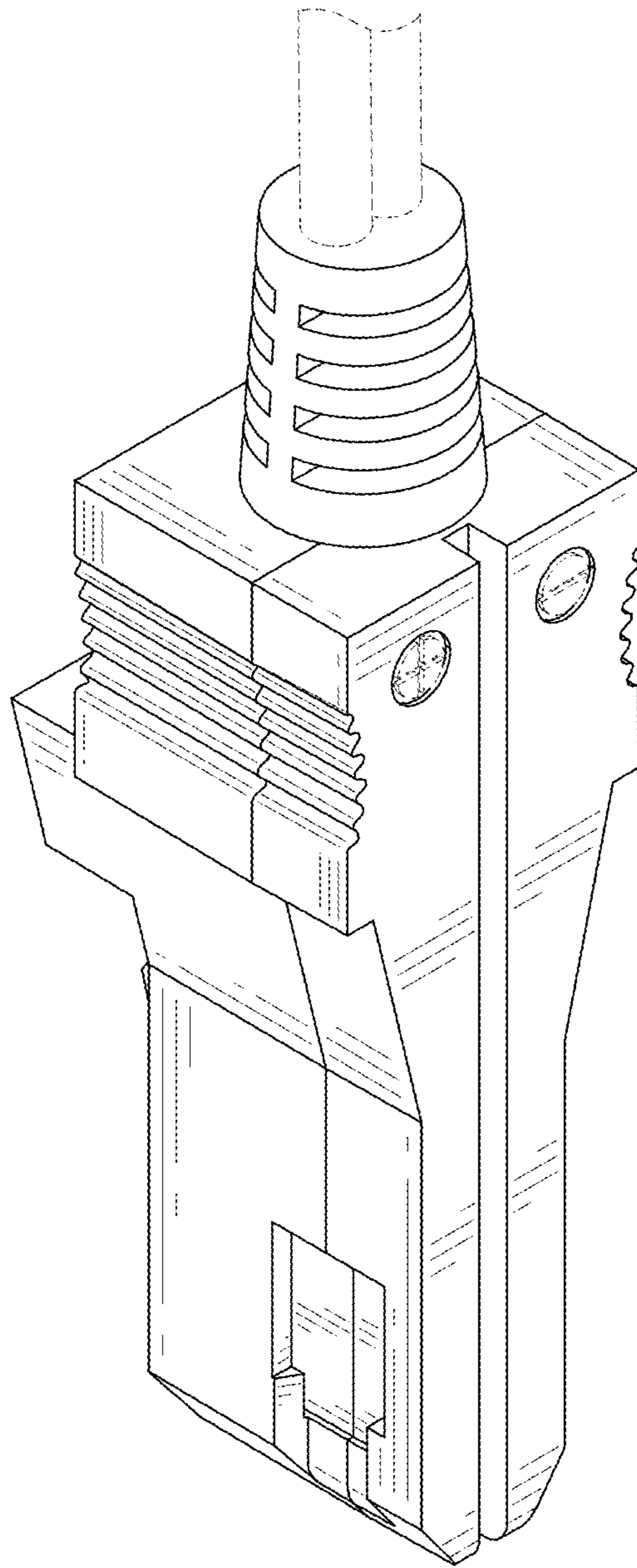


FIG. 2

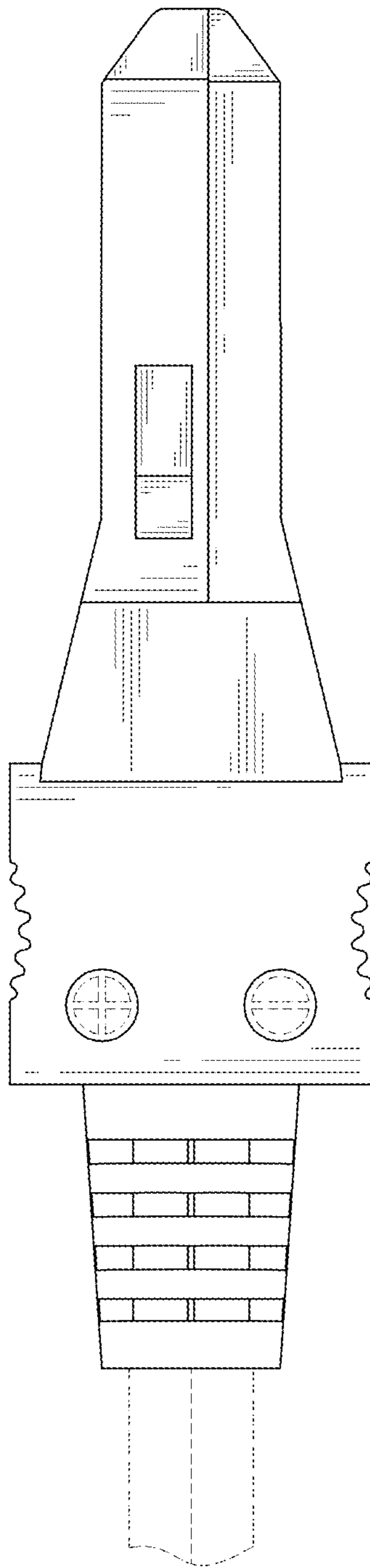


FIG. 3

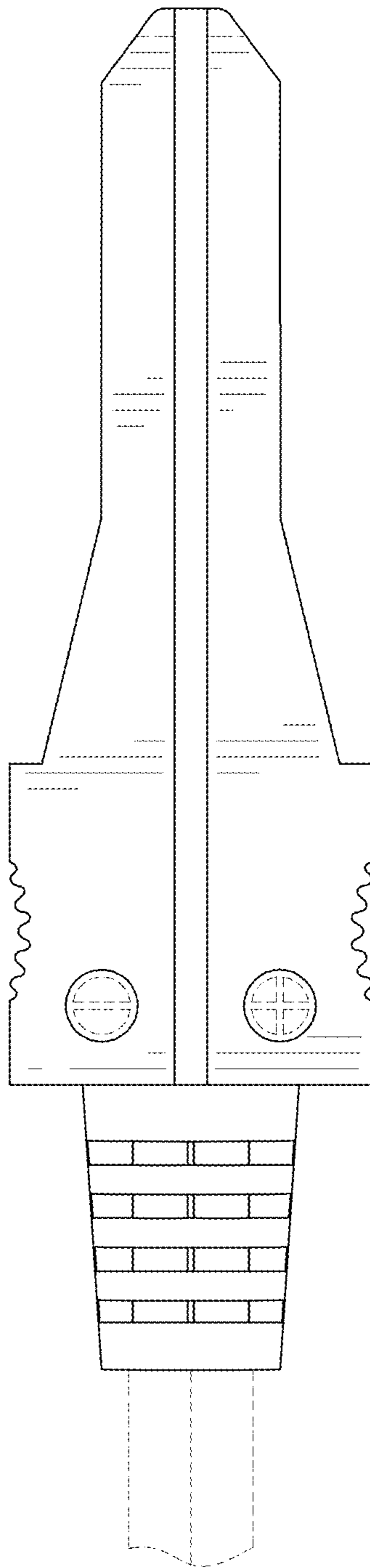


FIG. 4

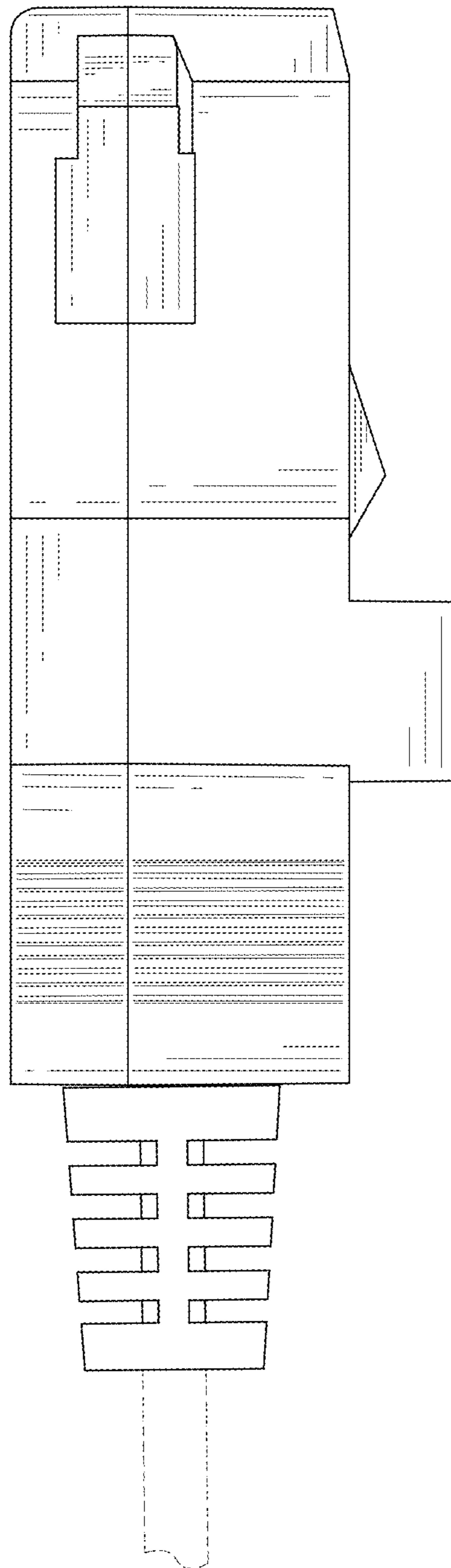


FIG. 5

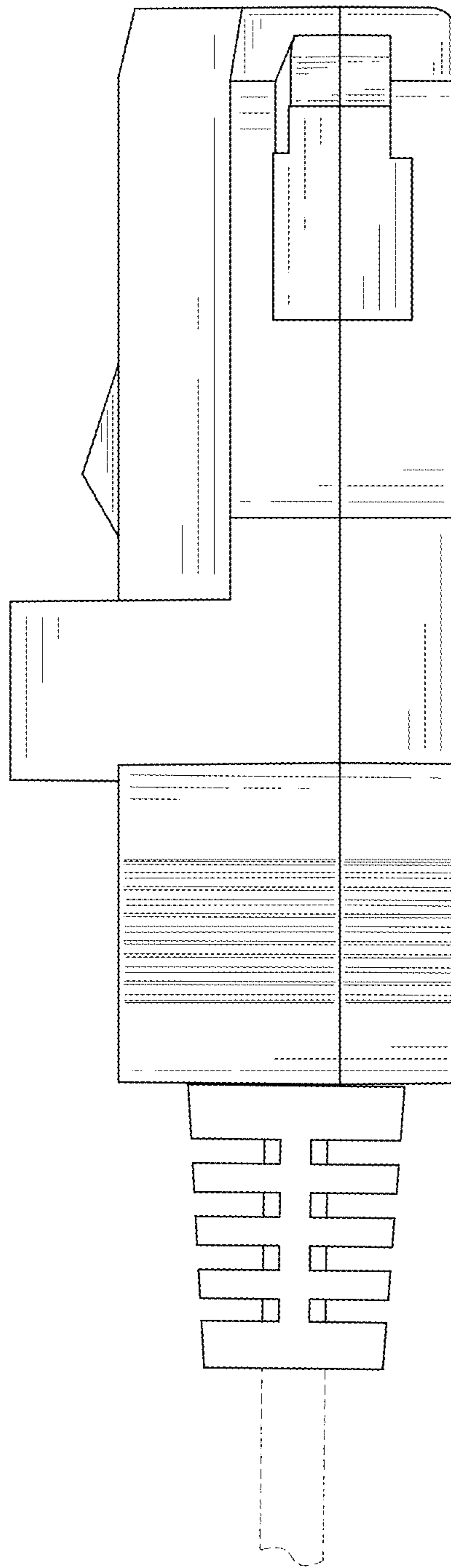


FIG. 6

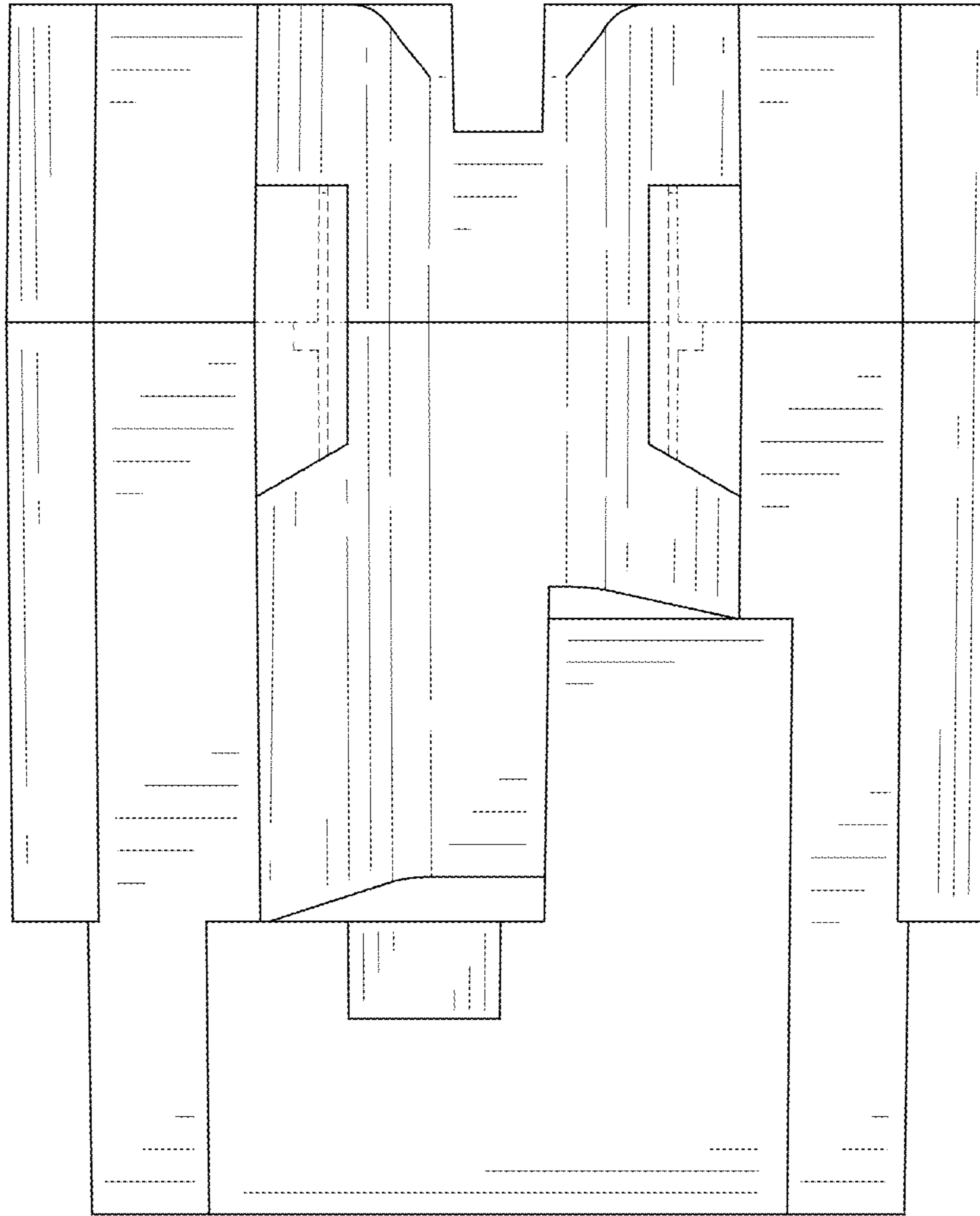


FIG. 7

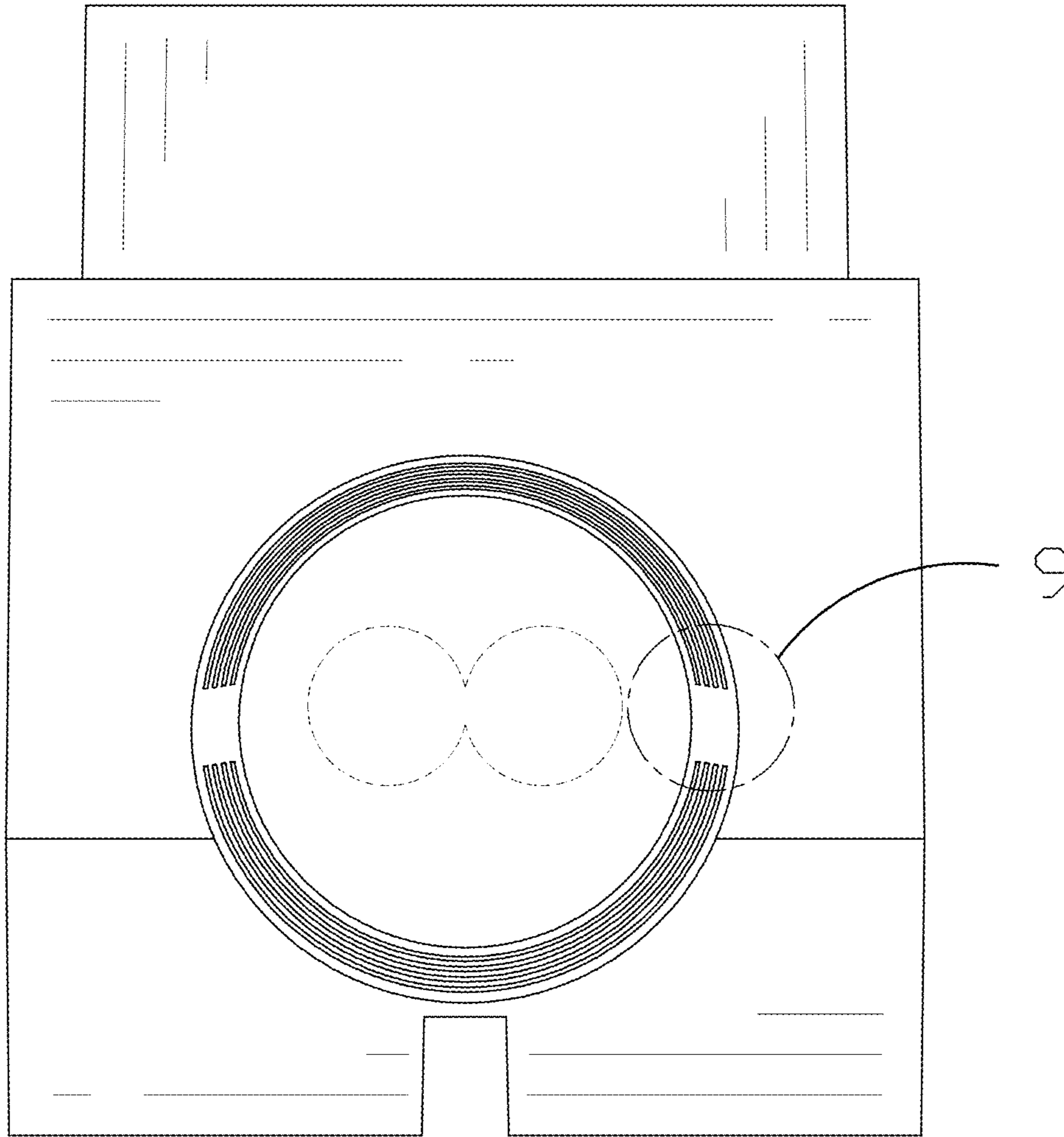


FIG. 8

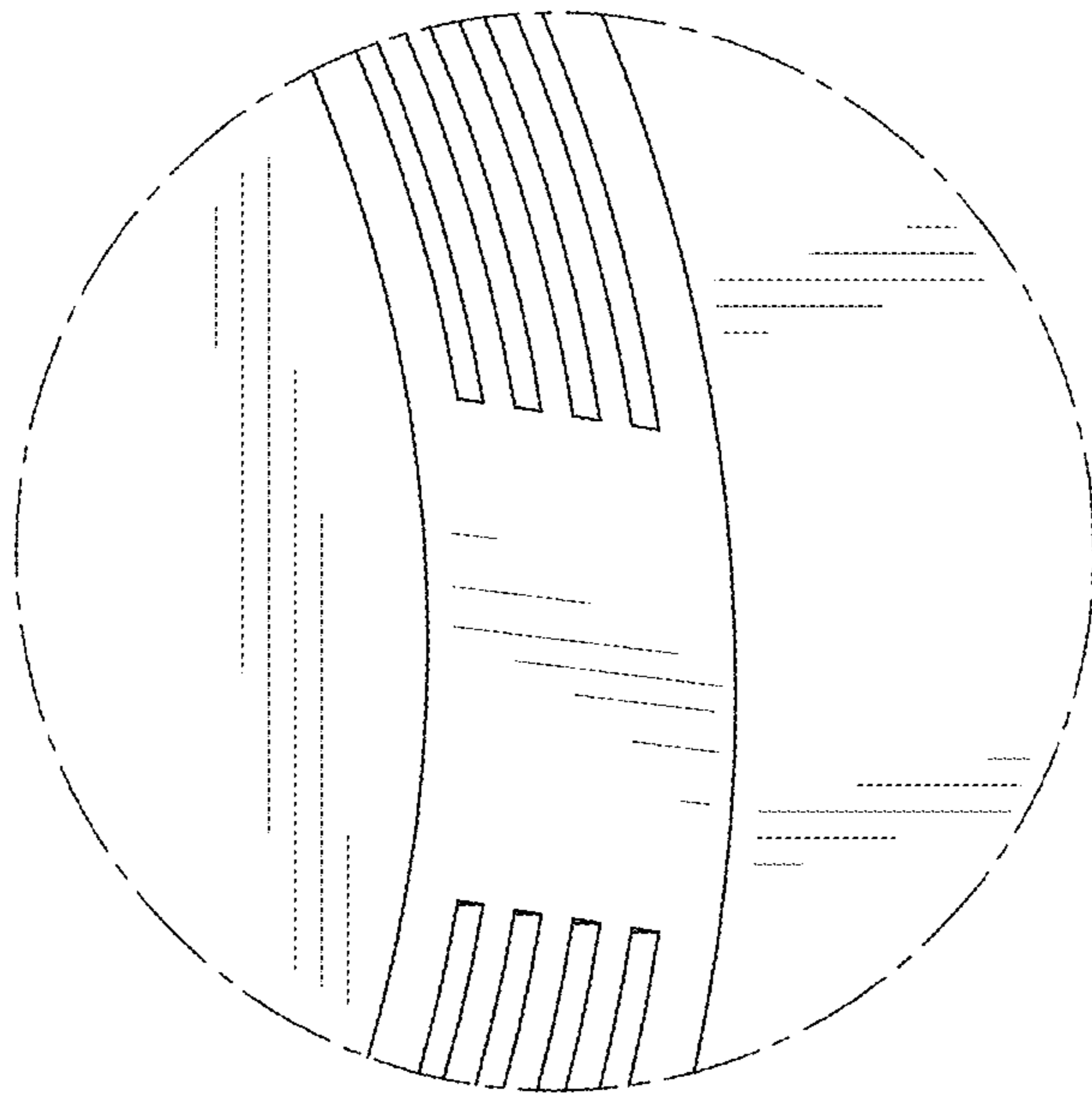


FIG. 9