



US00D879041S

(12) **United States Design Patent**  
**Moule**

(10) **Patent No.:** **US D879,041 S**

(45) **Date of Patent:** **\*\* Mar. 24, 2020**

(54) **ELECTRICAL CONNECTOR**  
(71) Applicant: **Electro Expo Limited**, Potters Bar,  
Hertfordshire (GB)  
(72) Inventor: **Peter John Moule**, Potters Bar (GB)  
(73) Assignee: **Electro Expo Limited**, Potters Bar  
(GB)

4,566,660 A \* 1/1986 Anscher ..... F16L 3/13  
24/453  
D488,778 S \* 4/2004 Ushiro ..... D13/133  
8,141,826 B1 \* 3/2012 Gallardo ..... F16L 3/1091  
24/16 R  
10,378,679 B2 \* 8/2019 Booth ..... F16L 3/1091  
2005/0006535 A1 \* 1/2005 Brown ..... F16L 3/10  
248/70  
2006/0131465 A1 \* 6/2006 Lynch, Jr. .... F16L 3/2235  
248/68.1

(\*\*) Term: **15 Years**

(Continued)

(21) Appl. No.: **29/665,429**

FOREIGN PATENT DOCUMENTS

(22) Filed: **Oct. 3, 2018**

GB 2260864 A \* 4/1993 ..... H01R 9/223

(30) **Foreign Application Priority Data**

Apr. 3, 2018 (GB) ..... 6032302

(51) **LOC (12) Cl.** ..... **13-03**

(52) **U.S. Cl.**  
USPC ..... **D13/133**

(58) **Field of Classification Search**  
USPC ..... D13/118-123, 133, 146, 147, 149,  
D13/151-156, 173, 184, 199  
CPC ... H01R 4/48; H01R 9/05; H01R 9/22; H01R  
12/00; H01R 13/00; H01R 13/44; H01R  
13/62; H01R 13/66; H02G 3/08; H02G  
3/14; H02G 3/16; H02G 3/18; H02G  
3/04; H05K 5/00; H05K 5/02; H05K  
7/20; H05K 9/00; B65D 85/20; G02B  
6/44; H04M 1/00; B60R 16/02; B60R  
16/08; B65H 2701/3919; B65H 75/98;  
F16L 3/08; F16L 3/10

See application file for complete search history.

(56) **References Cited**

U.S. PATENT DOCUMENTS

3,369,785 A \* 2/1968 Moore ..... F16L 3/00  
248/68.1  
D274,601 S \* 7/1984 Helmle ..... D8/356

OTHER PUBLICATIONS  
Terminal Box Chocbox Chocbox by Chocbox, dated Apr. 28, 2012,  
[online], [site visited Aug. 16, 2019]. Available from Internet, URL:  
<https://www.amazon.co.uk/TERMINAL-BOX-CHOCBOX/dp/B0118JNYBS> (Year: 2012).\*

(Continued)

*Primary Examiner* — Angela J Lee  
*Assistant Examiner* — Shawn T Gingrich  
(74) *Attorney, Agent, or Firm* — Seed IP Law Group LLP

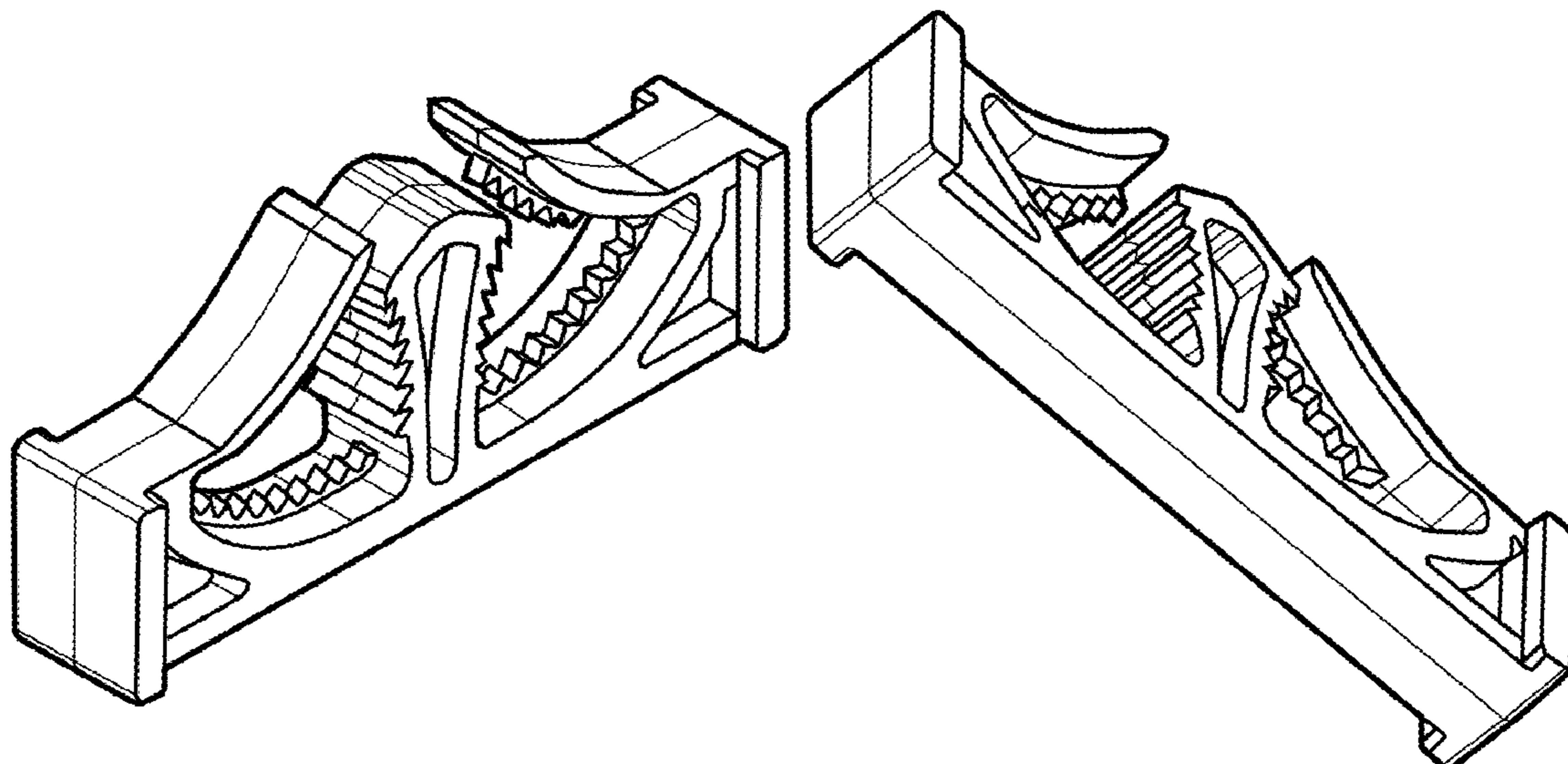
(57) **CLAIM**

The ornamental design for an electrical connector, as shown and described.

**DESCRIPTION**

FIG. 1 is a front perspective view of an electrical connector showing my new design.  
FIG. 2 is a bottom perspective view thereof.  
FIG. 3 is a front or rear elevational view thereof.  
FIG. 4 is a top plan view thereof.  
FIG. 5 is a right or left side elevational view thereof; and, FIG. 6 is a bottom plan view thereof.

**1 Claim, 3 Drawing Sheets**



(56)

**References Cited**

## U.S. PATENT DOCUMENTS

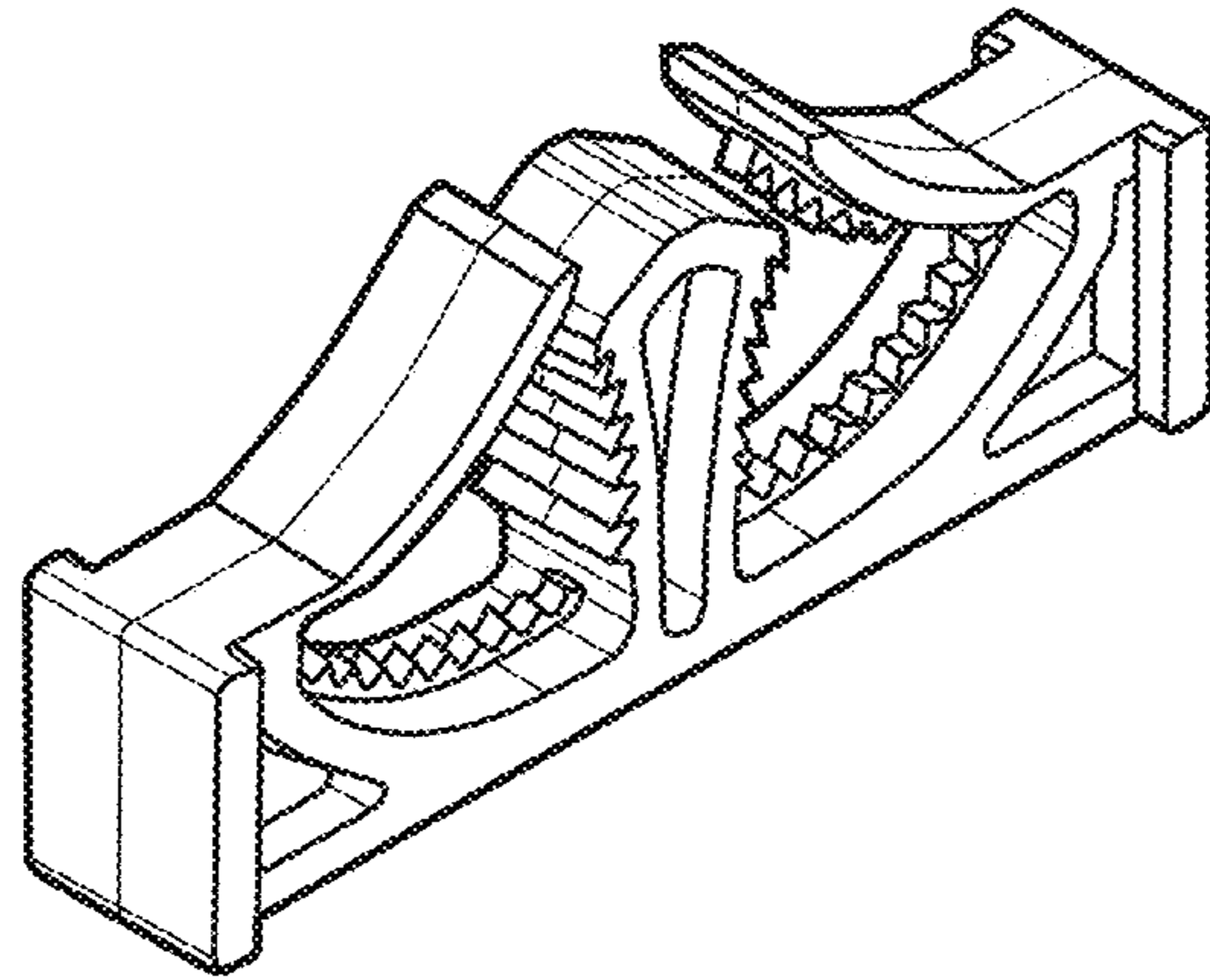
2007/0138350 A1\* 6/2007 Brown ..... F16L 3/1025  
248/65  
2007/0281539 A1\* 12/2007 Bigotto ..... H01R 13/5812  
439/469  
2009/0314903 A1\* 12/2009 Zahuranec ..... F16L 3/222  
248/74.1  
2014/0283341 A1\* 9/2014 Zhou ..... G06F 1/18  
24/16 R  
2015/0048221 A1\* 2/2015 Doushita ..... H02G 3/04  
248/71  
2015/0096802 A1\* 4/2015 Itani ..... B60R 16/0215  
174/72 A  
2015/0219246 A1\* 8/2015 Sauerhoefer ..... F16L 3/1091  
415/214.1  
2017/0175932 A1\* 6/2017 Izawa ..... F16L 3/1075  
2019/0086003 A1\* 3/2019 Jones ..... F16L 3/015

## OTHER PUBLICATIONS

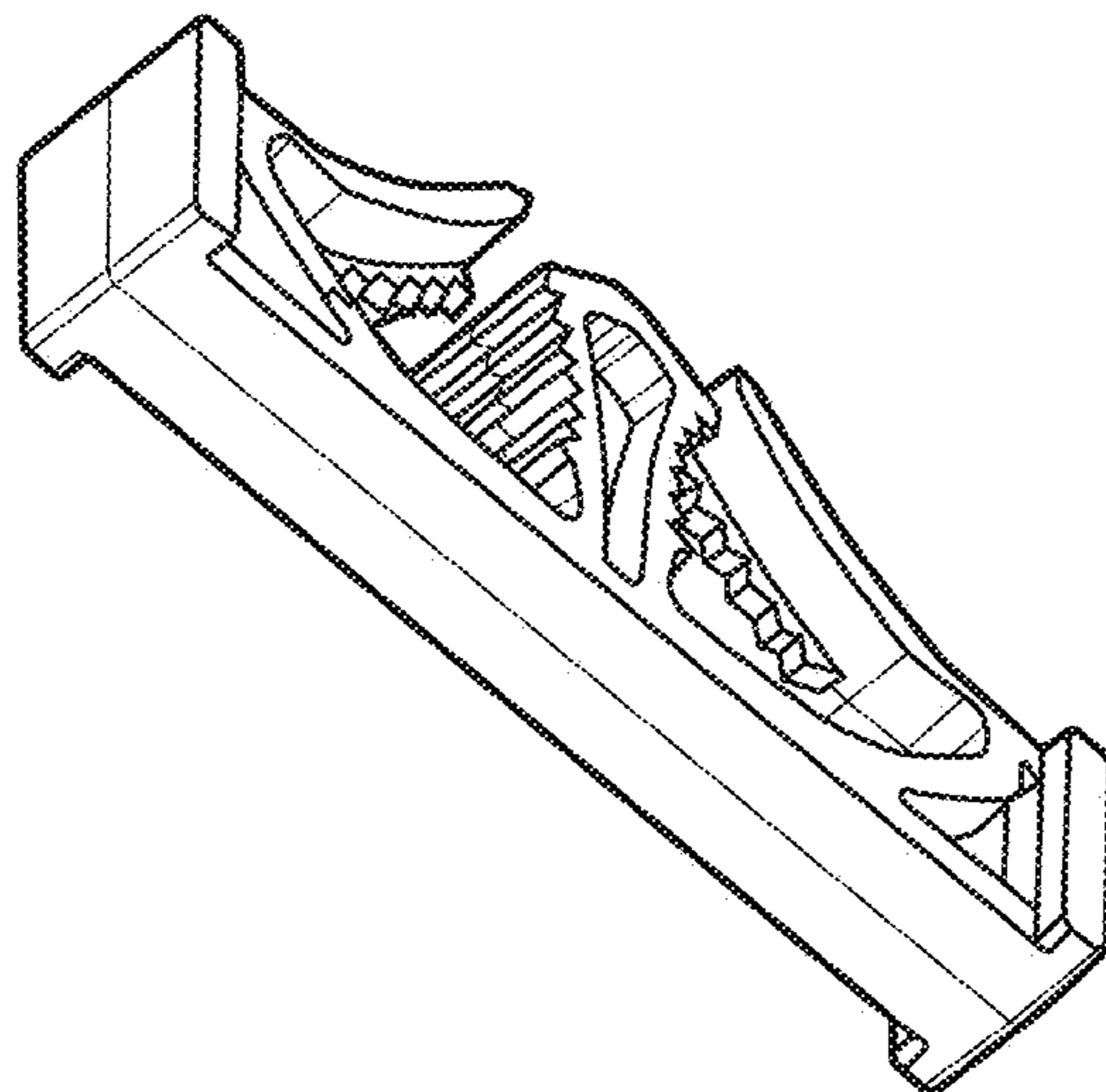
Chocbox In-Line Connector / Junction Box Clear, dated Jan. 23, 2012, [online], [site visited Aug. 16, 2019]. Available from Internet, URL: <https://www.amazon.co.uk/Chocbox-Line-Connector-Junction-Clear/dp/B0070XCJZE> (Year: 2012).\*

Grandfather's bright spark nets £25m deal on Dragon's Den, dated Dec. 12, 2007, [online], [site visited Aug. 16, 2019]. Available from Internet, URL: <https://www.dailymail.co.uk/news/article-501208/Grandfathers-bright-spark-nets-25nn-deal-Dragons-Den.html> (Year: 2007).\*

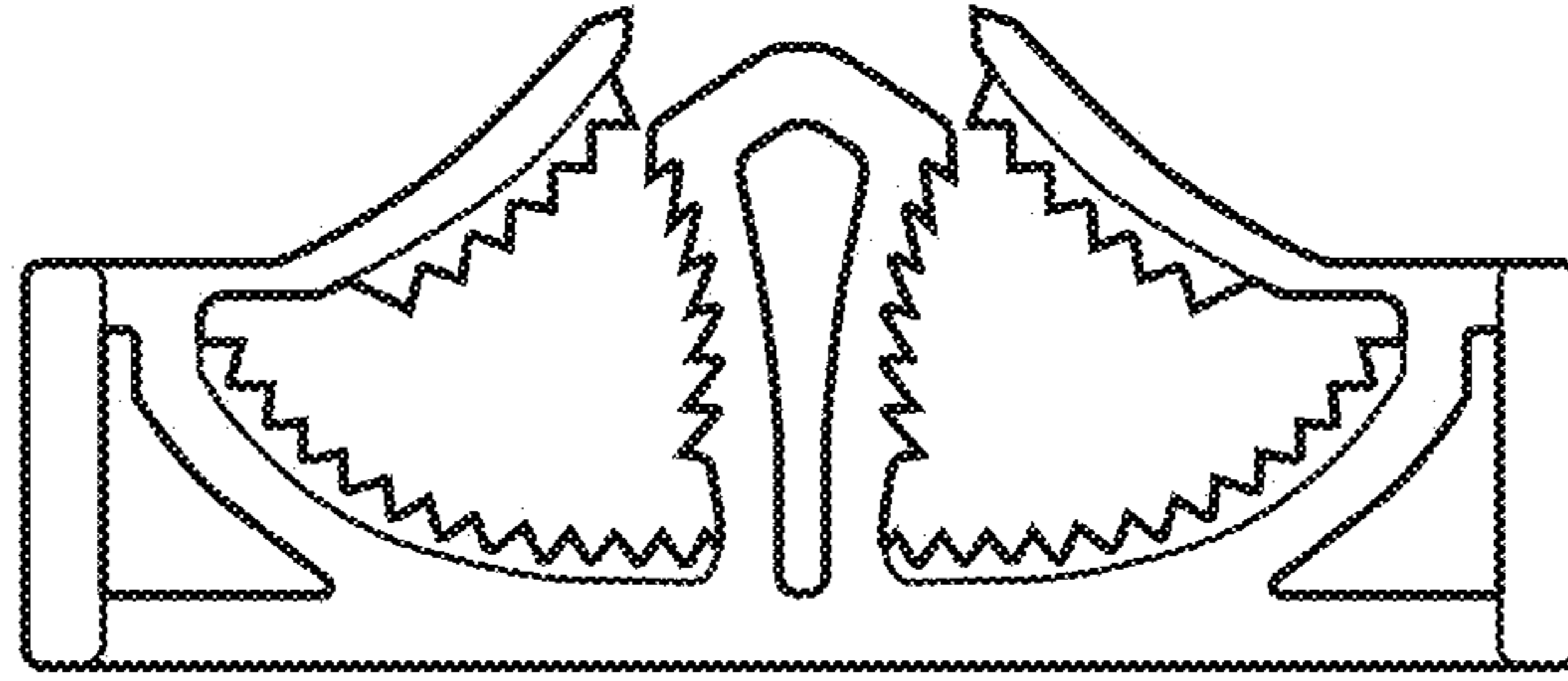
\* cited by examiner



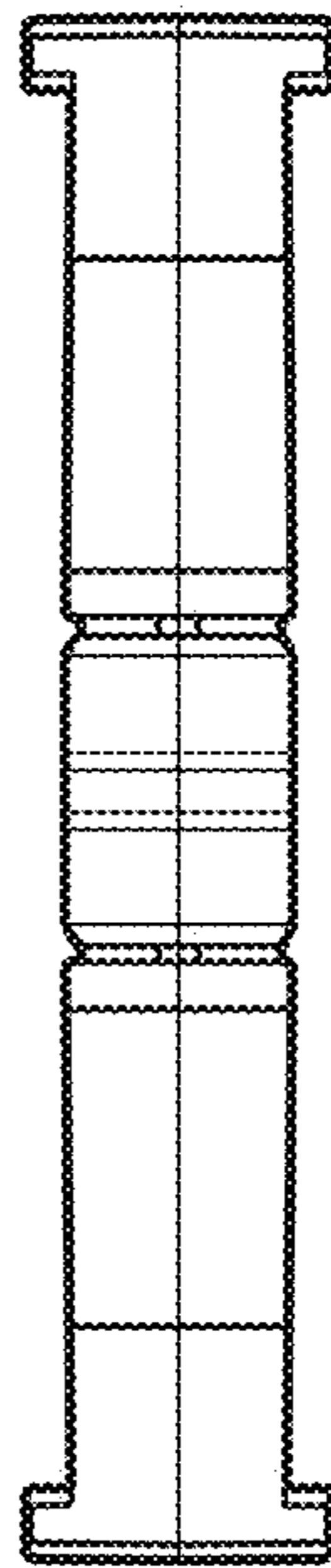
***FIG. 1***



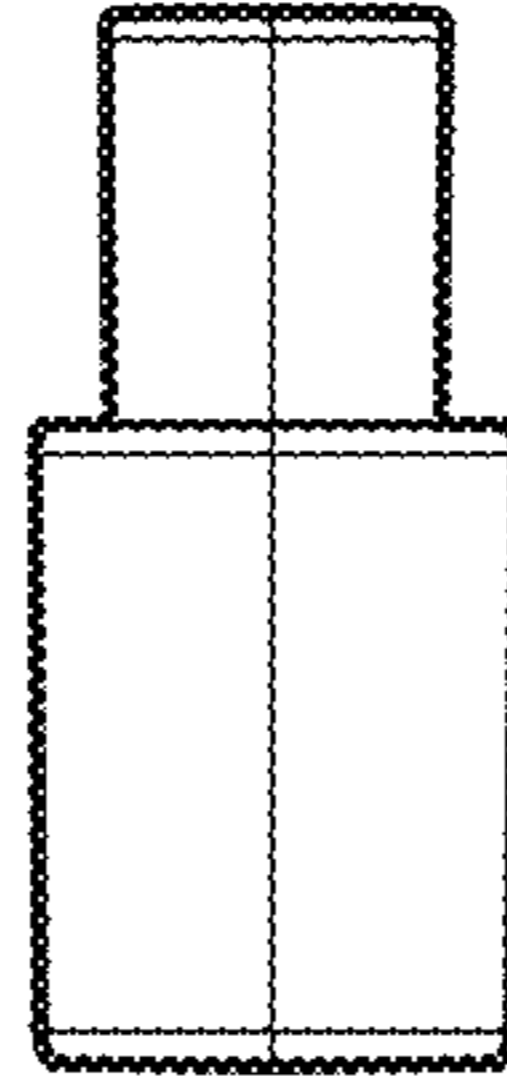
***FIG. 2***



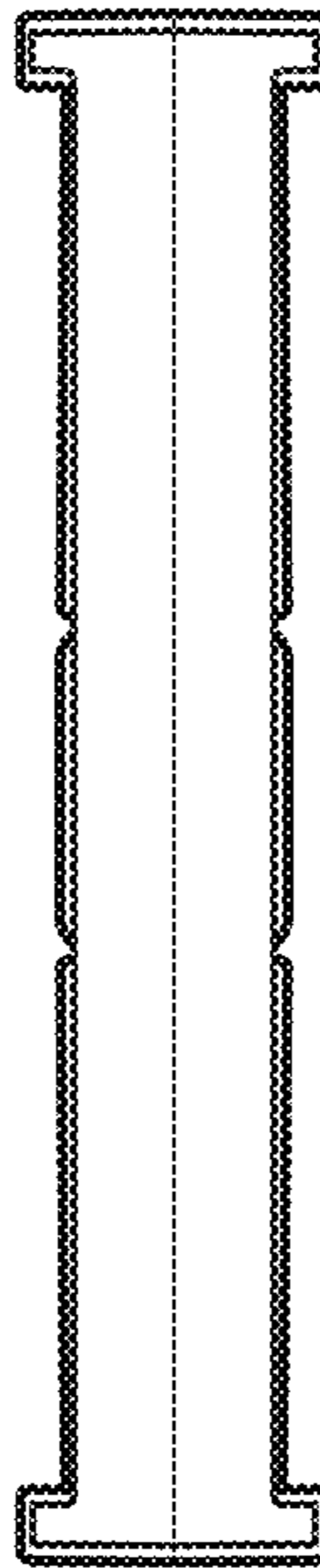
**FIG. 3**



**FIG. 4**



***FIG. 5***



***FIG. 6***