



US00D879039S

(12) **United States Design Patent**
Wu et al.

(10) **Patent No.:** **US D879,039 S**
(45) **Date of Patent:** **** Mar. 24, 2020**

- (54) **OPTICAL FIBER CONNECTOR**
- (71) Applicant: **ADVANCED-CONNECTEK INC.,**
New Taipei (TW)
- (72) Inventors: **Jun Wu, New Taipei (TW); Yang-Yang Cui, New Taipei (TW)**
- (73) Assignee: **ADVANCED-CONNECTEK INC.,**
New Taipei (TW)
- (**) Term: **15 Years**
- (21) Appl. No.: **29/650,507**
- (22) Filed: **Jun. 7, 2018**
- (51) **LOC (12) Cl.** **13-03**
- (52) **U.S. Cl.**
USPC **D13/133**
- (58) **Field of Classification Search**
USPC D13/110, 112, 123, 133, 147, 152, 154,
D13/173, 184, 199
CPC G02B 6/36; G02B 6/38; G02B 6/3821;
G02B 6/3874; G02B 6/3881; G02B
6/3893; G02B 6/444
See application file for complete search history.

(56) **References Cited**

U.S. PATENT DOCUMENTS

D481,680 S *	11/2003	Cheng	D13/133
D674,347 S *	1/2013	Shifris	D13/133
D705,731 S *	5/2014	Zhong	D13/133
9,595,786 B1 *	3/2017	Takano	H01R 13/6275
9,971,102 B2 *	5/2018	Raven	G02B 6/3893
9,995,886 B2 *	6/2018	Wang	G02B 6/3821
10,042,129 B2 *	8/2018	Taira	G02B 6/3825
10,495,828 B2 *	12/2019	Wu	G02B 6/3879
2010/0220961 A1 *	9/2010	de Jong	G02B 6/3879 385/77
2011/0222819 A1 *	9/2011	Anderson	G02B 6/3825 385/78

2012/0308183 A1 *	12/2012	Irwin	G02B 6/3879 385/56
2013/0301994 A1 *	11/2013	Motofuji	G02B 6/36 385/78
2014/0050443 A1 *	2/2014	Lee	G02B 6/3879 385/77
2015/0212282 A1 *	7/2015	Lin	G02B 6/3893 385/76
2015/0277059 A1 *	10/2015	Raven	G02B 6/3879 385/78
2016/0047993 A1 *	2/2016	Hioki	G02B 6/3869 385/139
2016/0306125 A1 *	10/2016	Wu	G02B 6/3893
2016/0349458 A1 *	12/2016	Murray	G02B 6/3825
2017/0205591 A1 *	7/2017	Takano	H01R 13/6272
2018/0052287 A1 *	2/2018	Smith	G02B 6/3878

(Continued)

Primary Examiner — Angela J Lee
Assistant Examiner — Shawn T Gingrich
 (74) *Attorney, Agent, or Firm* — Innovation Capital Law Group, LLP; Vic Lin

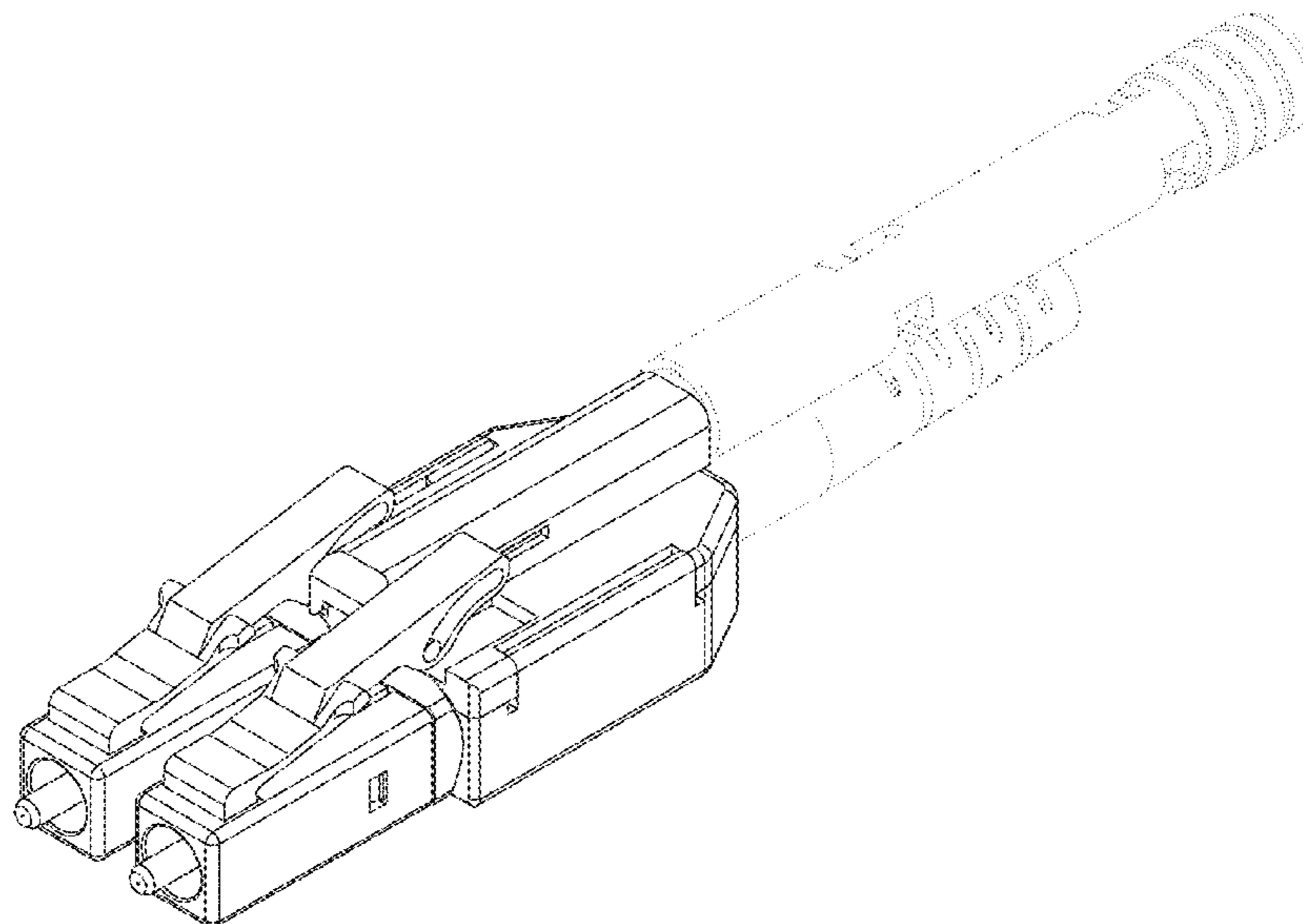
(57) **CLAIM**

The ornamental design for an optical fiber connector, as shown and described.

DESCRIPTION

FIG. 1 is a top perspective view of an optical fiber connector showing our new design;
 FIG. 2 is a front elevational view thereof;
 FIG. 3 is a rear elevational view thereof;
 FIG. 4 is a left side elevational view thereof;
 FIG. 5 is a right side elevational view thereof;
 FIG. 6 is a top plan view thereof;
 FIG. 7 is a bottom plan view thereof; and,
 FIG. 8 is a schematic perspective view thereof, shown in use environment.
 The broken lines in the drawings illustrate portions of the optical fiber connector that form no part of the claimed design.

1 Claim, 7 Drawing Sheets



(56)

References Cited

U.S. PATENT DOCUMENTS

2018/0081129	A1 *	3/2018	Kaga	G02B 6/3898
2018/0156988	A1 *	6/2018	Gniadek	G02B 6/3893
2018/0172922	A1 *	6/2018	Levy	G02B 6/3893
2018/0217338	A1 *	8/2018	Takano	G02B 6/3887
2018/0267256	A1 *	9/2018	Wu	G02B 6/3881
2018/0321448	A1 *	11/2018	Wu	G02B 6/3873
2019/0219775	A1 *	7/2019	Iizumi	G02B 6/3831
2019/0361177	A1 *	11/2019	Aoshima	G02B 6/3825

* cited by examiner

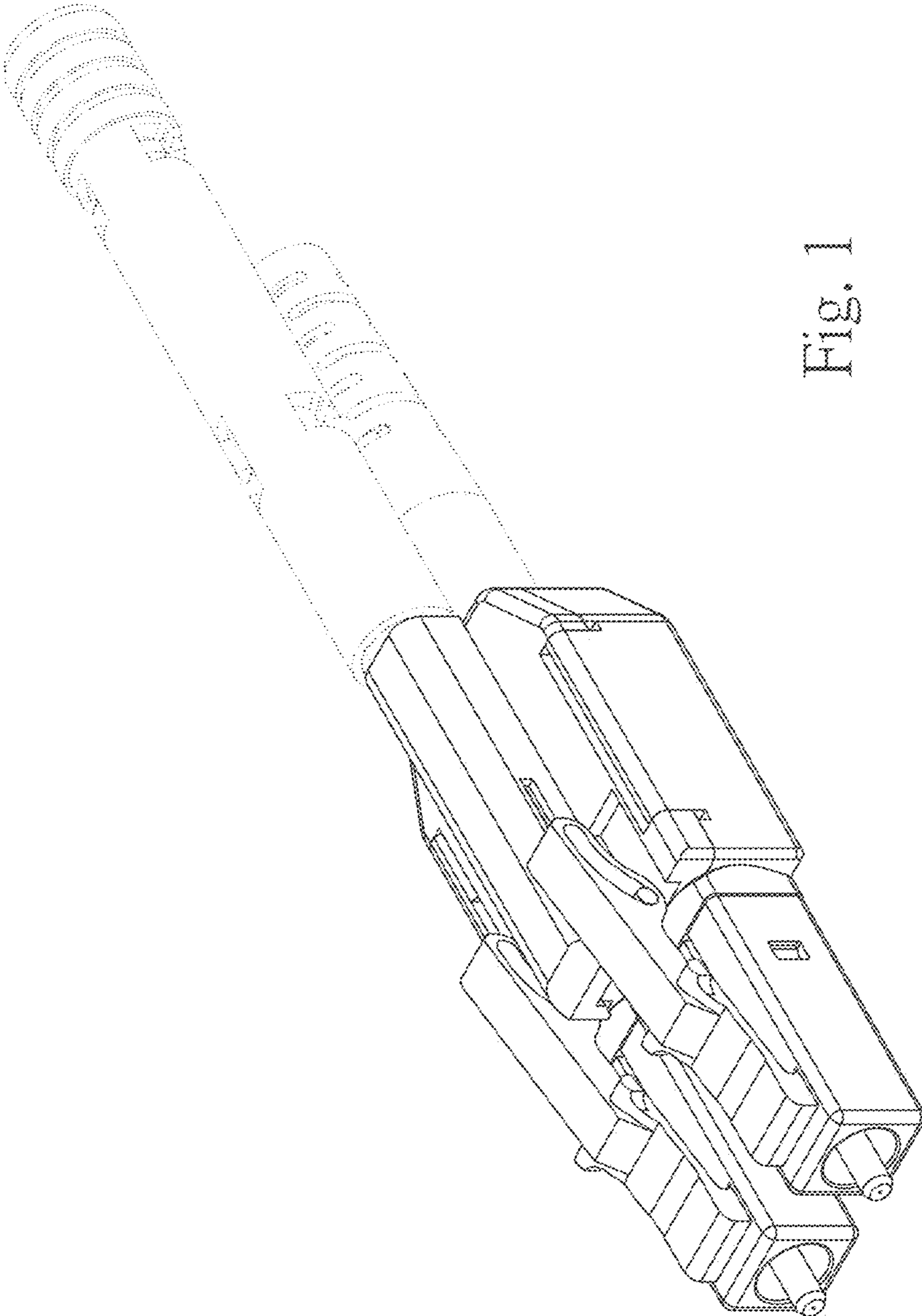


Fig. 1

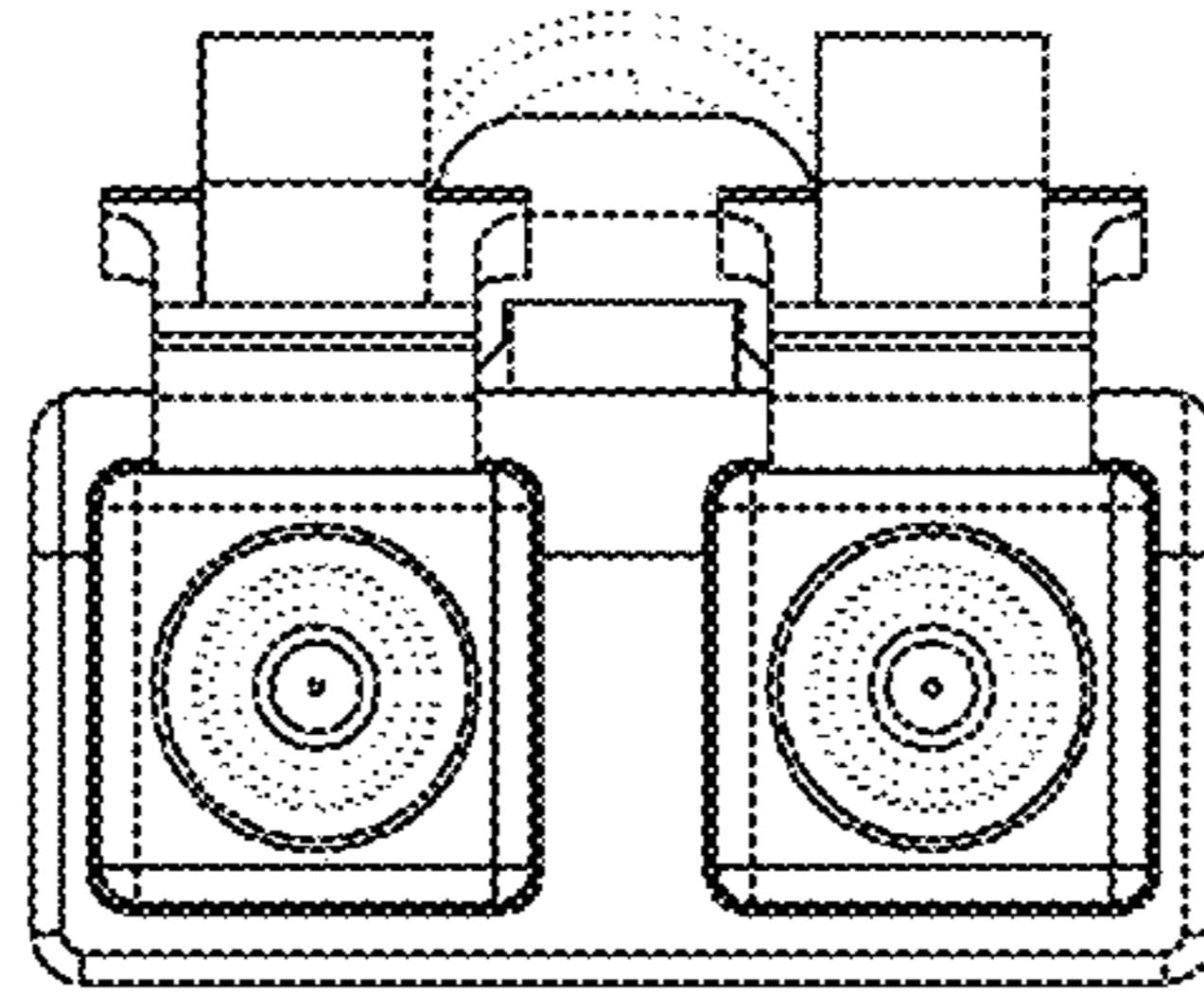


Fig. 2

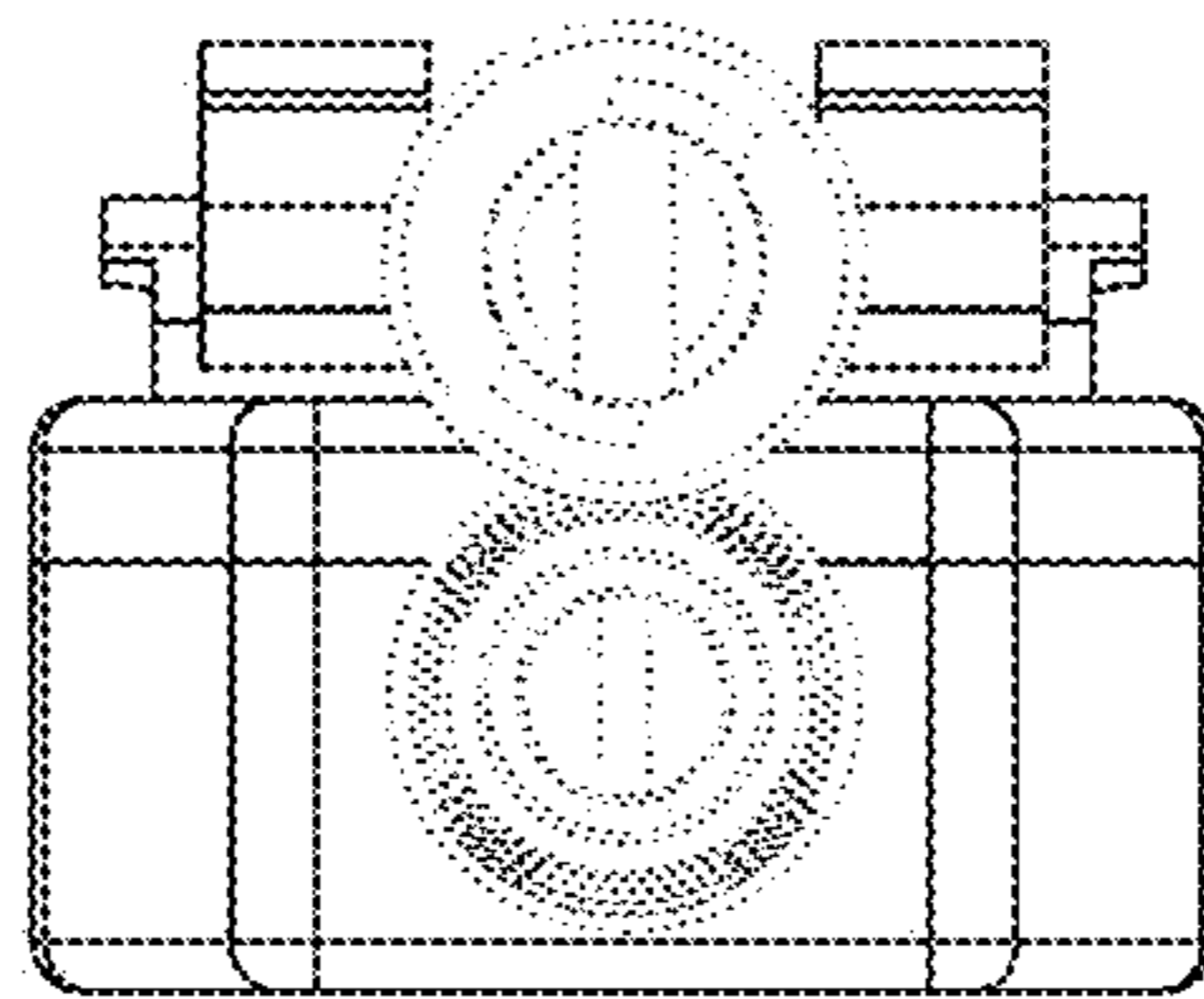


Fig. 3

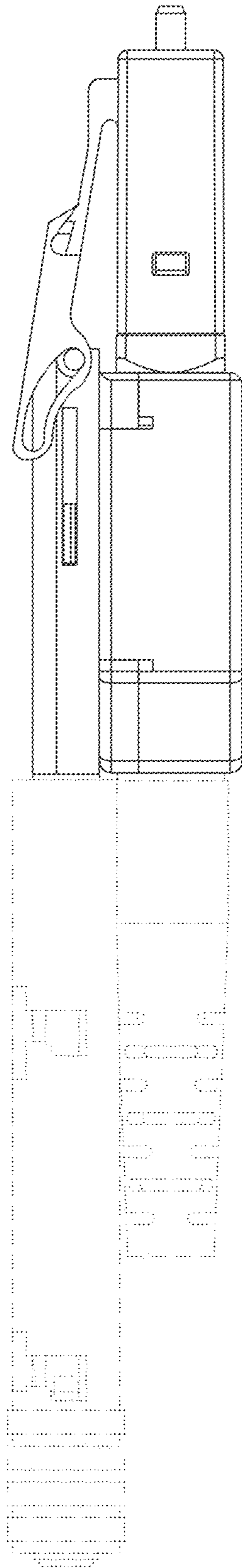


Fig. 4

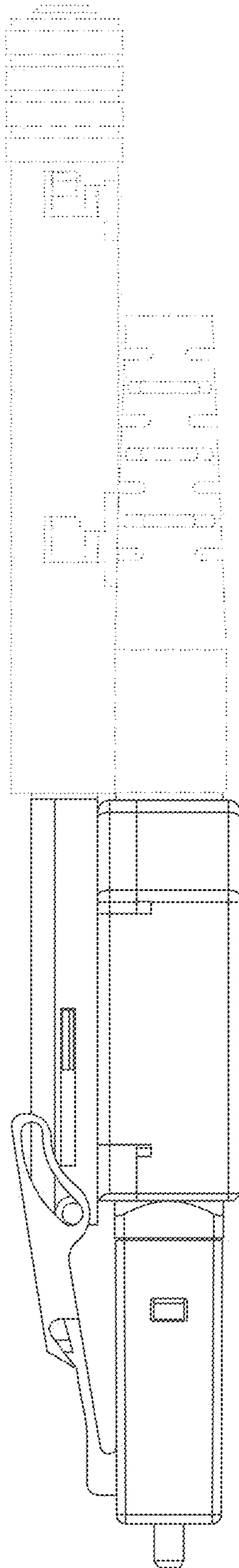


Fig. 5

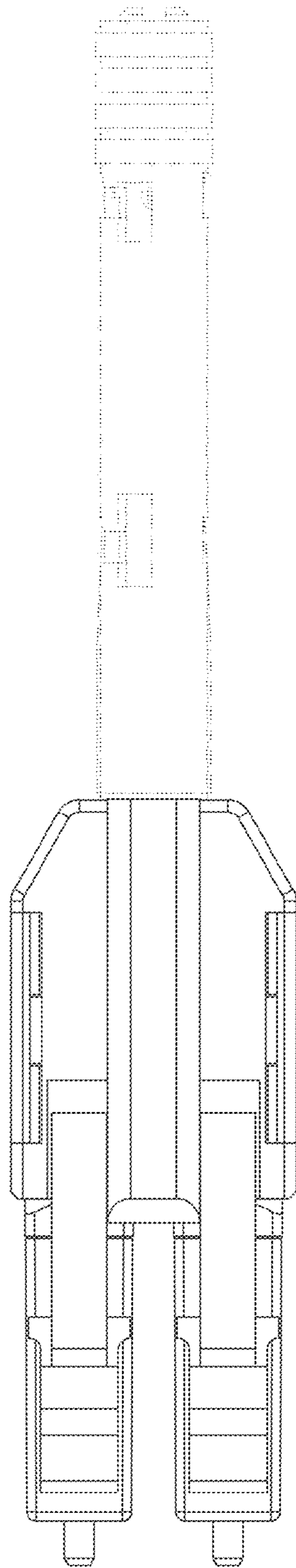


Fig. 6

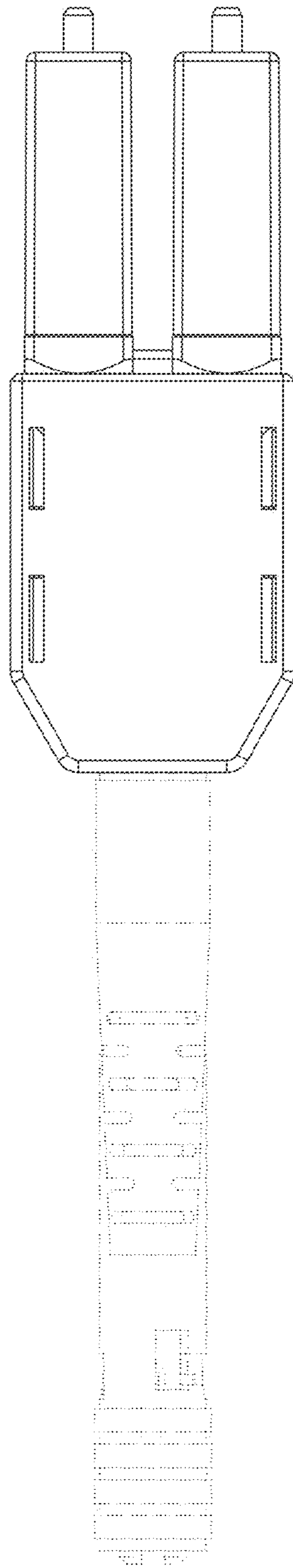


Fig. 7

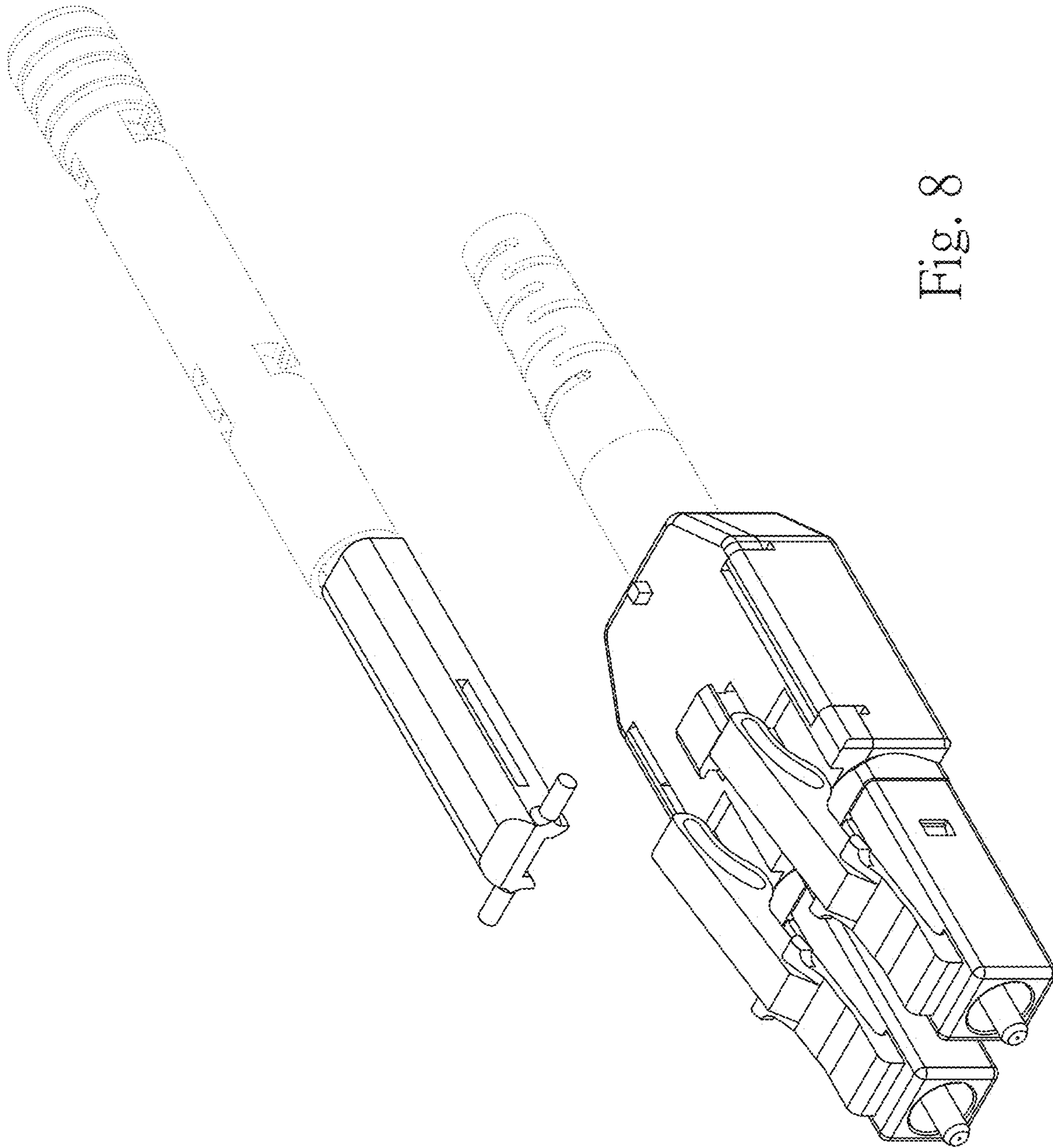


Fig. 8