



US00D879037S

(12) **United States Design Patent**
Simon et al.

(10) **Patent No.:** **US D879,037 S**
(45) **Date of Patent:** **** Mar. 24, 2020**

(54) **GENERATOR**

(71) Applicant: **Cummins Generator Technologies Limited**, Lynch Wood, Peterborough (GB)

(72) Inventors: **Kevan John Simon**, Whitstable (GB); **Neil Brown**, Holbeach (GB); **Sridhar Narayanan**, Stamford (GB); **Robert Mitchell Rolston**, Oakham (GB); **Philip Bend**, Grantham (GB); **Peethamparam Anpalahan**, Brentwood (GB)

(73) Assignee: **Cummins Generator Technologies Limited**, Peterborough (GB)

(**) Term: **15 Years**

(21) Appl. No.: **29/608,226**

(22) Filed: **Jun. 20, 2017**

(30) **Foreign Application Priority Data**

Dec. 21, 2016 (EM) 003531979
May 18, 2017 (EM) 004008035

(51) **LOC (12) Cl.** **13-03**
(52) **U.S. Cl.**
USPC **D13/112**

(58) **Field of Classification Search**
USPC D13/112, 101, 110, 113–116, 122, 184,
D13/199; D15/3, 5, 199
CPC . F02B 63/04; H02K 3/24; H02K 3/47; H02K
9/04; H02K 7/1815; F01D 15/10
See application file for complete search history.

(56) **References Cited**

U.S. PATENT DOCUMENTS

D160,713 S * 10/1950 Karstadt D13/112
D173,547 S * 11/1954 Sundberg D13/112

D198,374 S * 6/1964 Willits D13/112
D201,362 S * 6/1965 Crouse et al. D13/112
D236,005 S * 7/1975 Baumann D13/114

(Continued)

FOREIGN PATENT DOCUMENTS

CN 304414229 * 12/2017
CN 304449752 * 1/2018

(Continued)

Primary Examiner — Bridget L Eland

(74) *Attorney, Agent, or Firm* — Foley & Lardner LLP

(57) **CLAIM**

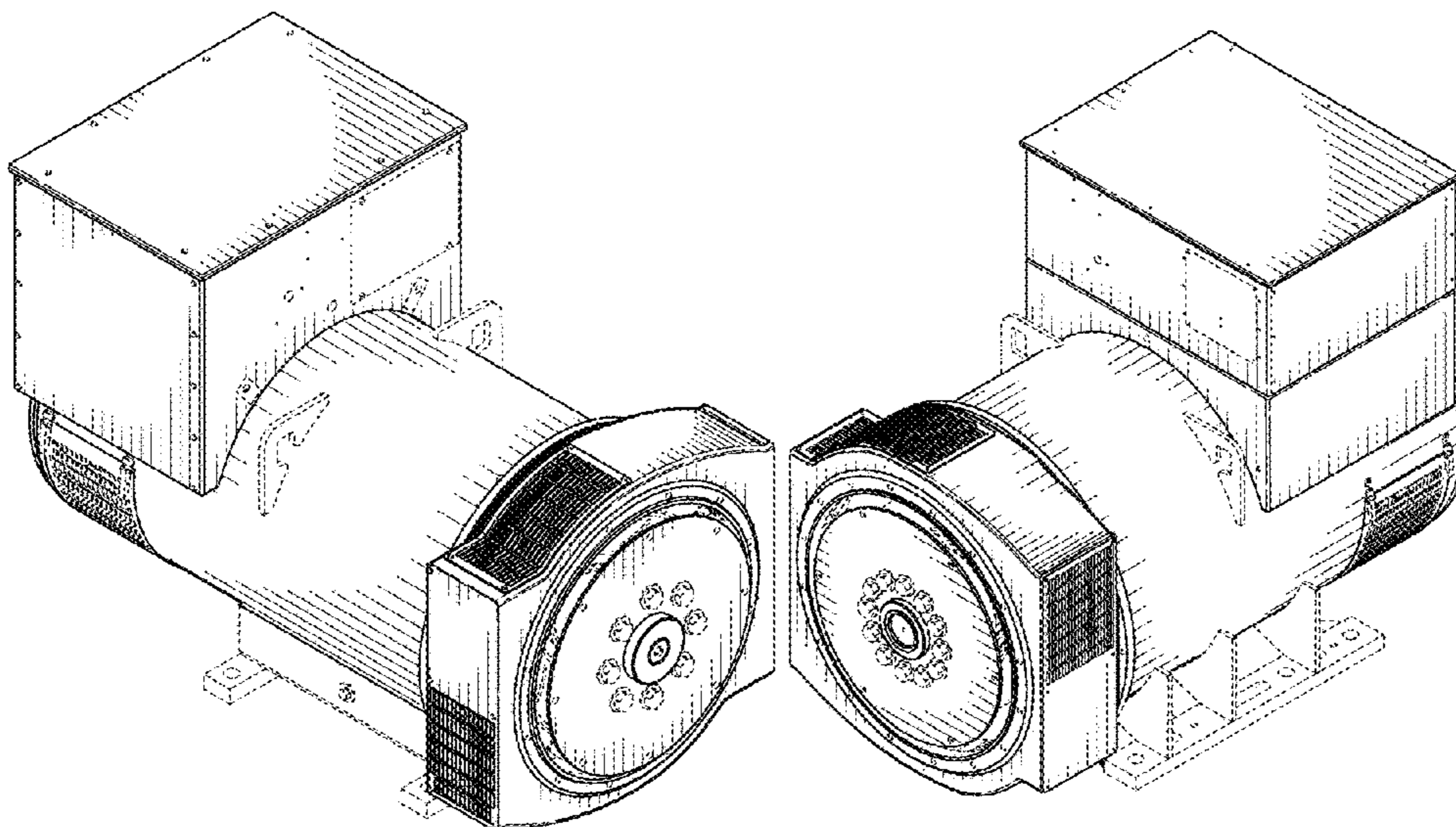
We claim the ornamental design for a generator, as shown and described.

DESCRIPTION

FIG. 1 is a top, front, left side perspective view of a first embodiment of a generator showing our new design; FIG. 2 is a top, rear, left side perspective view thereof; FIG. 3 is a front elevation view thereof; FIG. 4 is a rear elevation view thereof; FIG. 5 is a left side elevation view thereof; FIG. 6 is a right side elevation view thereof; FIG. 7 is a top plan view thereof; FIG. 8 is a bottom plan view thereof; FIG. 9 is a top, front, right side perspective view of a second embodiment of a generator showing our new design; FIG. 10 is a top, rear, right side perspective view thereof; FIG. 11 is a front elevation view thereof; FIG. 12 is a rear elevation view thereof; FIG. 13 is a left side elevation view thereof; FIG. 14 is a right side elevation view thereof; FIG. 15 is a top plan view thereof; and, FIG. 16 is a bottom plan view thereof.

The broken lines shown in the views are included for the purpose of illustrating portions of the generator that form no part of the claimed design.

1 Claim, 16 Drawing Sheets



(56)

References Cited

FOREIGN PATENT DOCUMENTS

U.S. PATENT DOCUMENTS

D236,985 S * 9/1975 Baumann D13/114
 D294,141 S * 2/1988 Ueda D13/112
 D314,550 S * 2/1991 Sieber D13/112
 D314,742 S * 2/1991 Sieber D13/112
 D332,081 S * 12/1992 Sieber D13/112
 D336,890 S * 6/1993 Hirose D13/112
 D401,553 S * 11/1998 Pearce D13/112
 D568,811 S * 5/2008 Andersson D13/112
 D568,812 S * 5/2008 Andersson D13/112
 D576,548 S * 9/2008 Andersson D13/112
 D696,628 S * 12/2013 Hutchinson D13/114
 D729,732 S * 5/2015 Kasaba D13/112
 D731,424 S * 6/2015 Kasaba D13/112
 D735,135 S * 7/2015 Todd D13/112
 D753,590 S * 4/2016 Yamada D13/112
 D754,066 S * 4/2016 Yamada D13/112
 D766,828 S * 9/2016 Yamada D13/112
 D768,079 S * 10/2016 Yamada D13/112
 D769,191 S * 10/2016 Vohlgemuth D13/114
 D772,814 S * 11/2016 Rivault D13/114
 D780,119 S * 2/2017 Schieck D13/112
 D794,563 S * 8/2017 Matta D13/114
 D813,164 S * 3/2018 Kaneko D13/112
 D813,811 S * 3/2018 Courtois D13/114
 D845,236 S * 4/2019 Grillenberger D13/112
 2019/0123618 A1 * 4/2019 Agrawal H02K 5/20

CN 304524311 * 3/2018
 CN 304553618 * 3/2018
 CN 304898425 * 11/2018
 CN 304973982 * 1/2019
 GB 6014177 * 6/2017
 GB 6014178 * 6/2017
 GB 6014180 * 6/2017
 GB 6014190 * 6/2017
 GB 6014191 * 6/2017
 GB 6014192 * 6/2017
 GB 6014194 * 6/2017
 GB 6014195 * 6/2017
 GB 6014196 * 6/2017
 GB 6014197 * 6/2017
 ID D0000007422-0001 * 11/2004
 IN 294880-0001 * 3/2018
 IN 294925-0001 * 3/2018
 IN 294885-0001 * 4/2018
 IN 294926-0001 * 4/2018
 IN 294887-0001 * 6/2018
 IN 294884-0001 * 10/2018
 IN 294886-0001 * 10/2018
 IN 294883-0001 * 11/2018
 IN 294928-0001 * 12/2018
 IN 294882-0001 * 6/2019

* cited by examiner

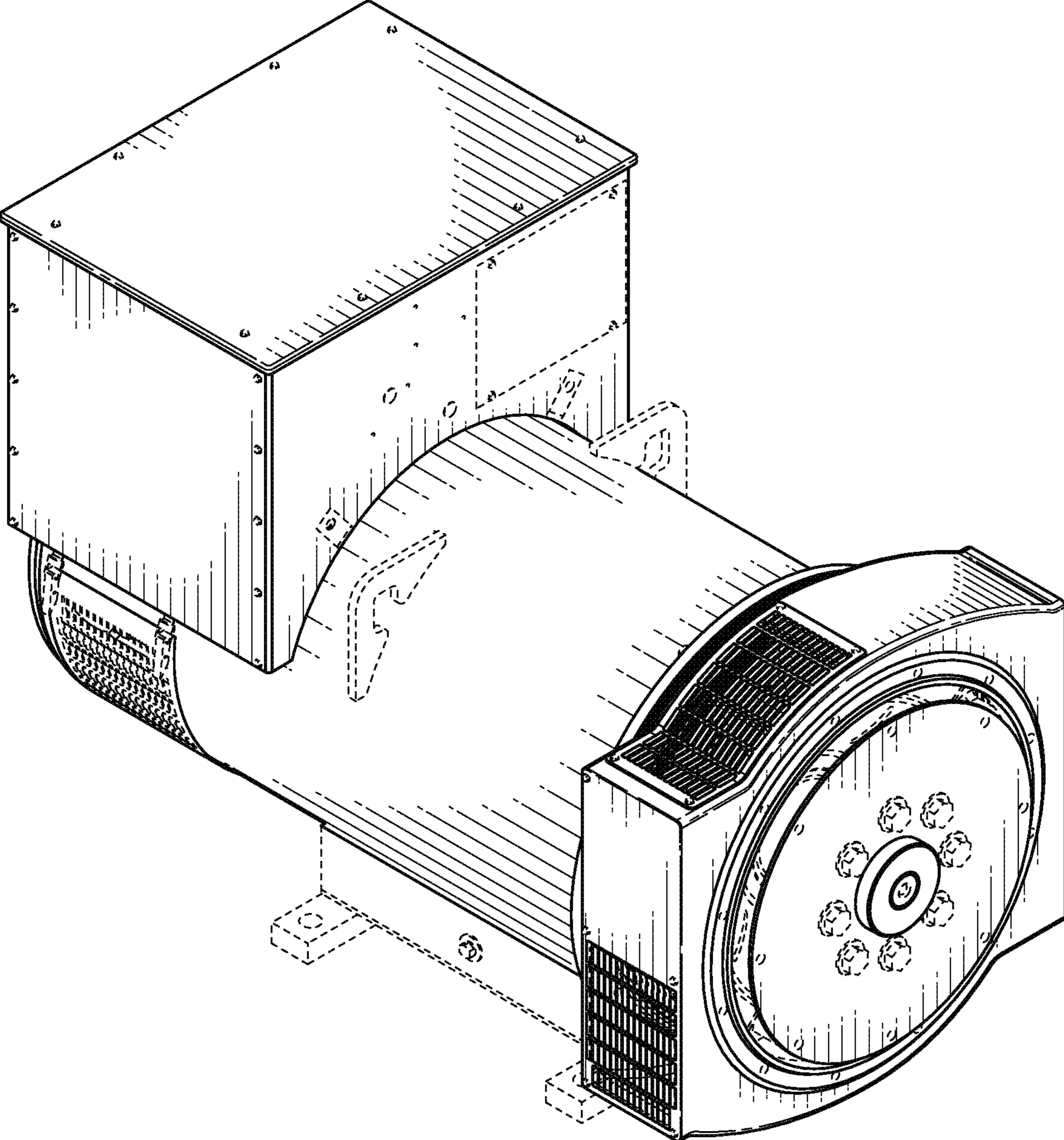


FIG. 1

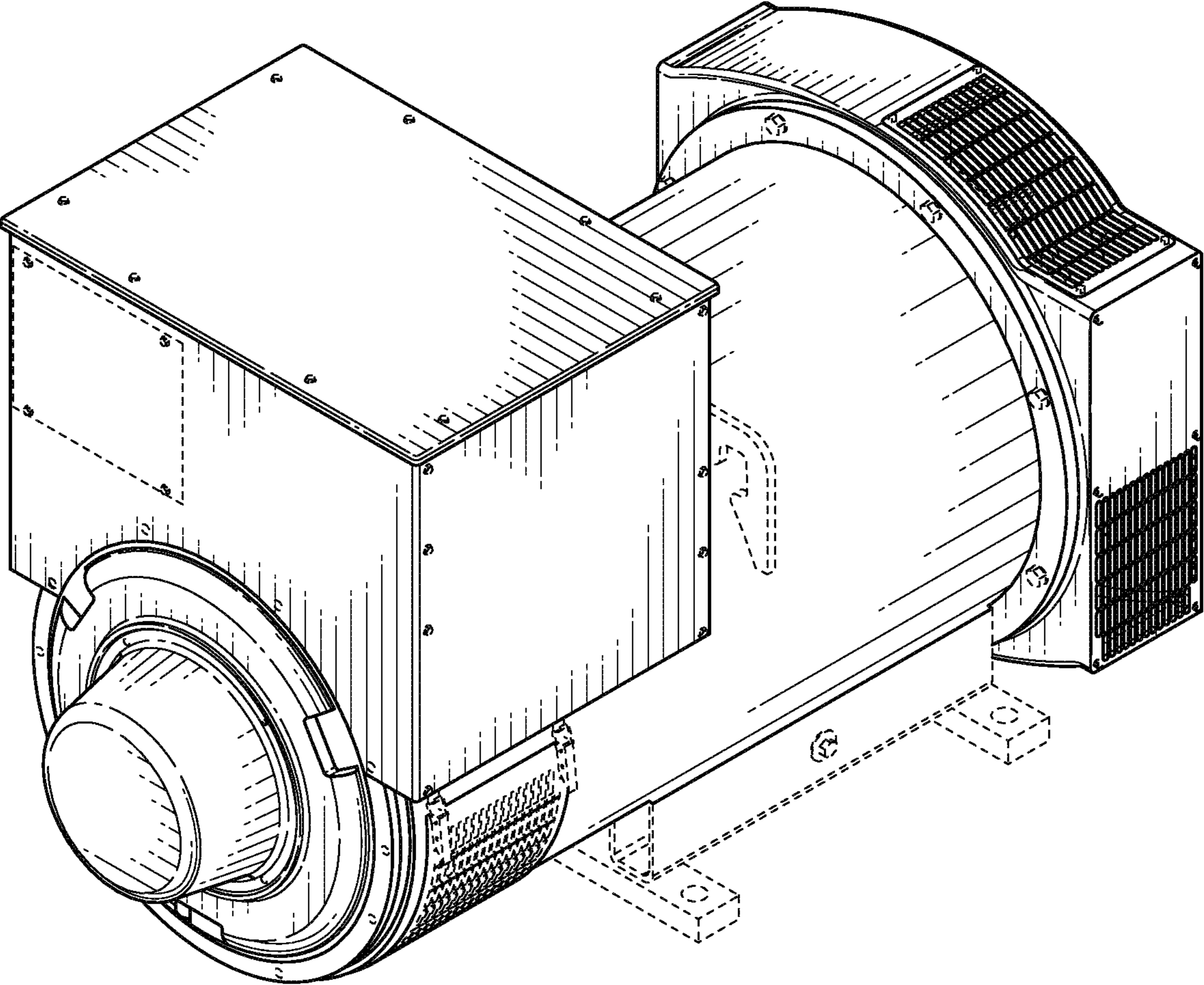


FIG. 2

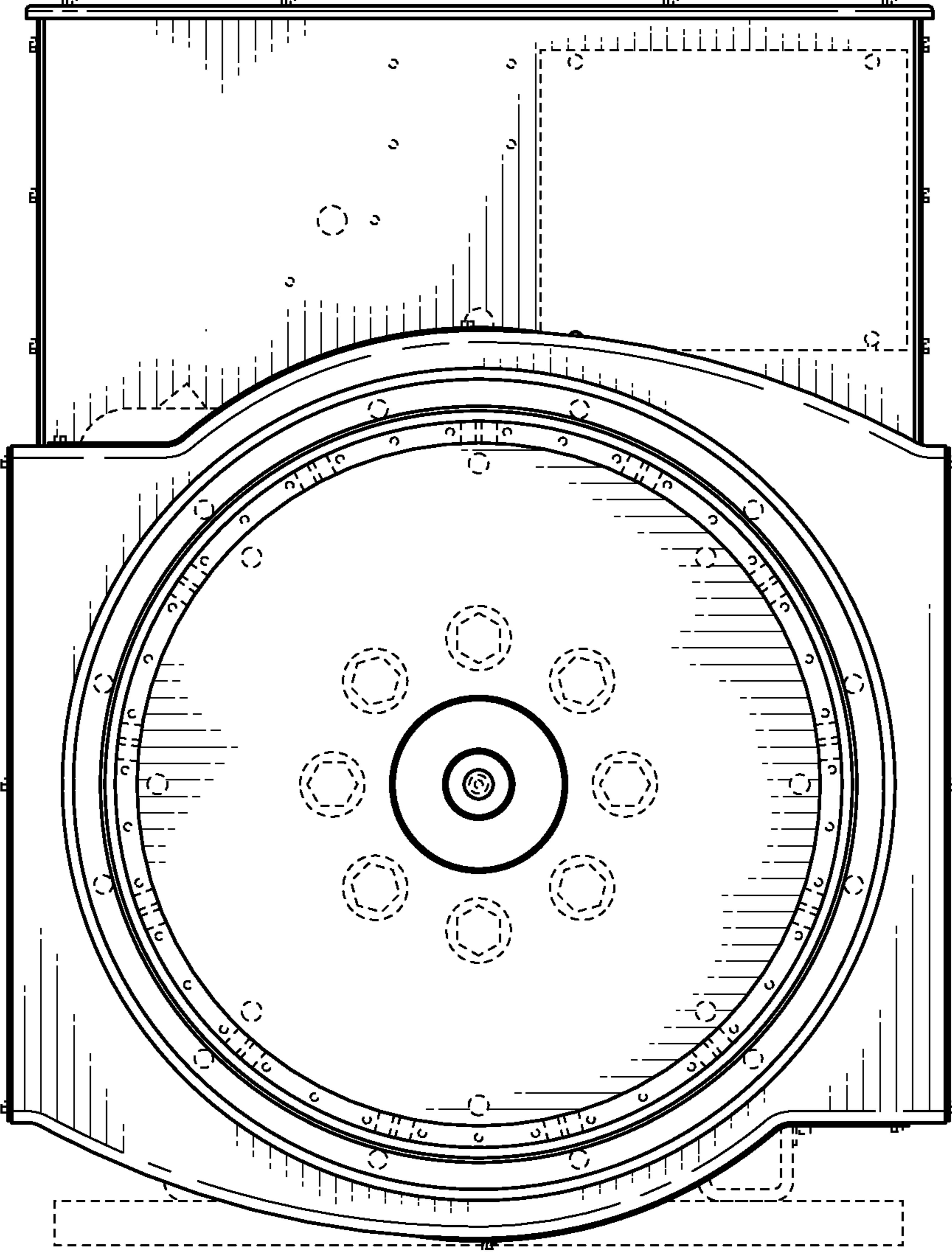


FIG. 3

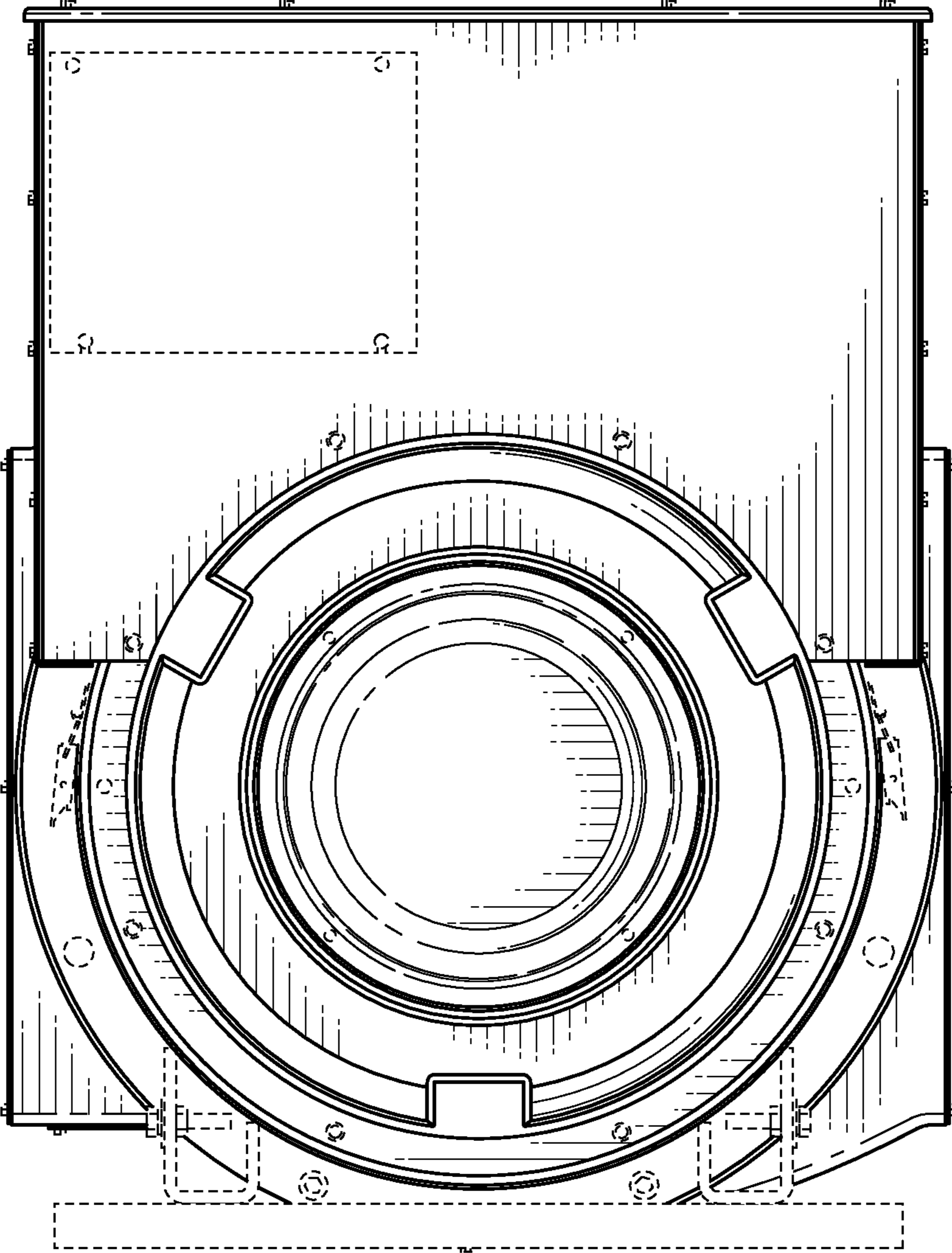


FIG. 4

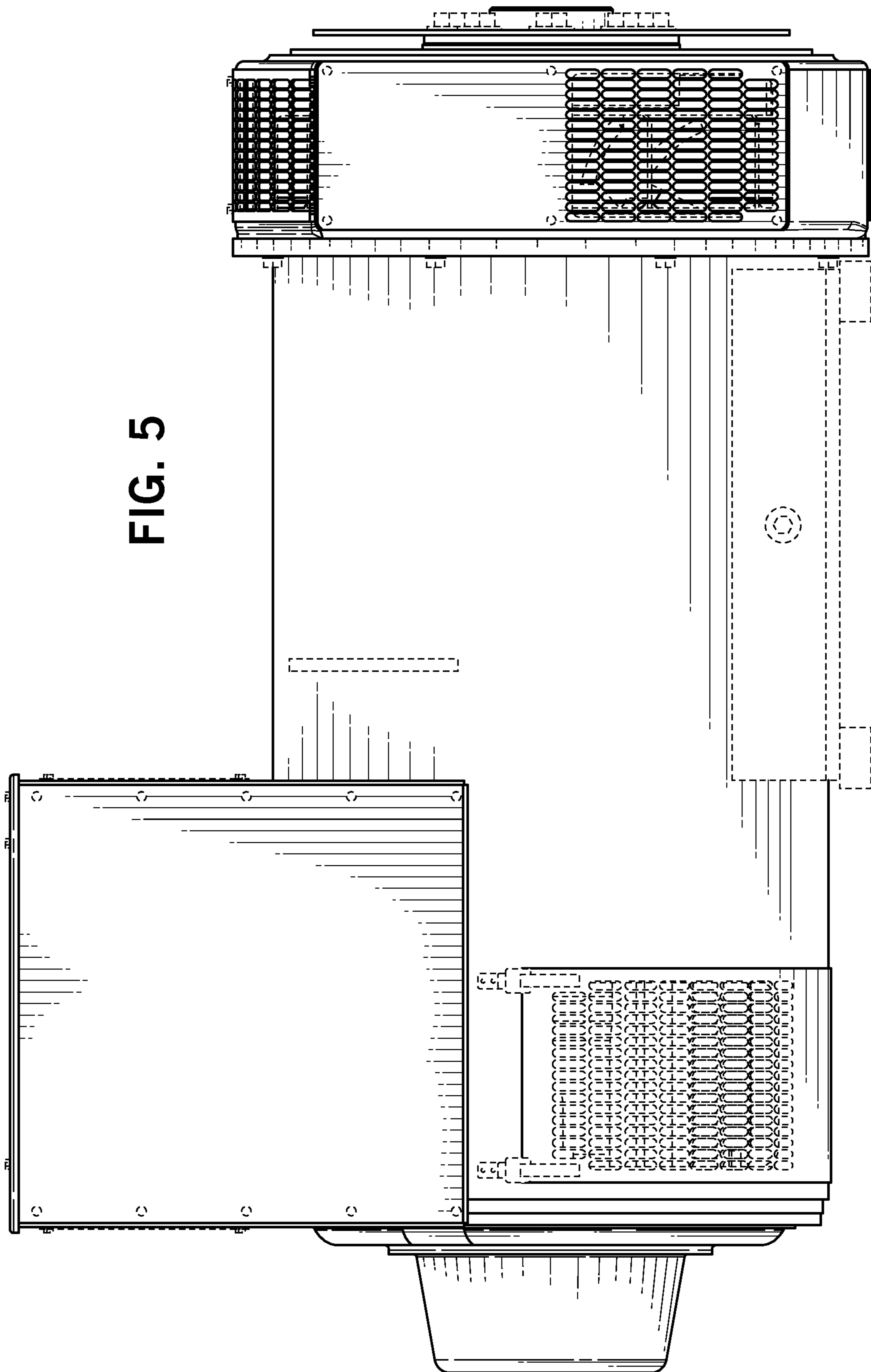


FIG. 5

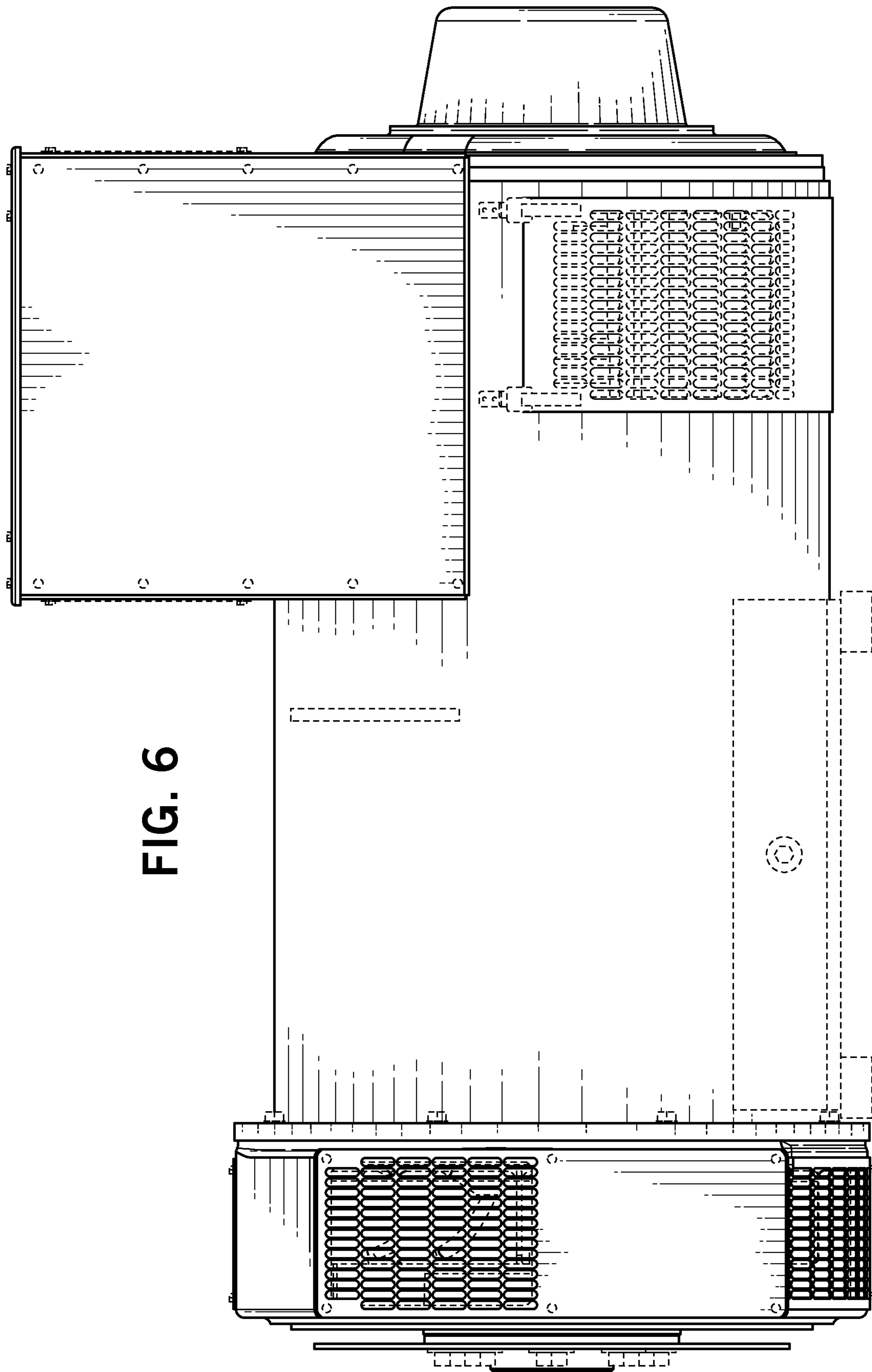


FIG. 6

FIG. 7

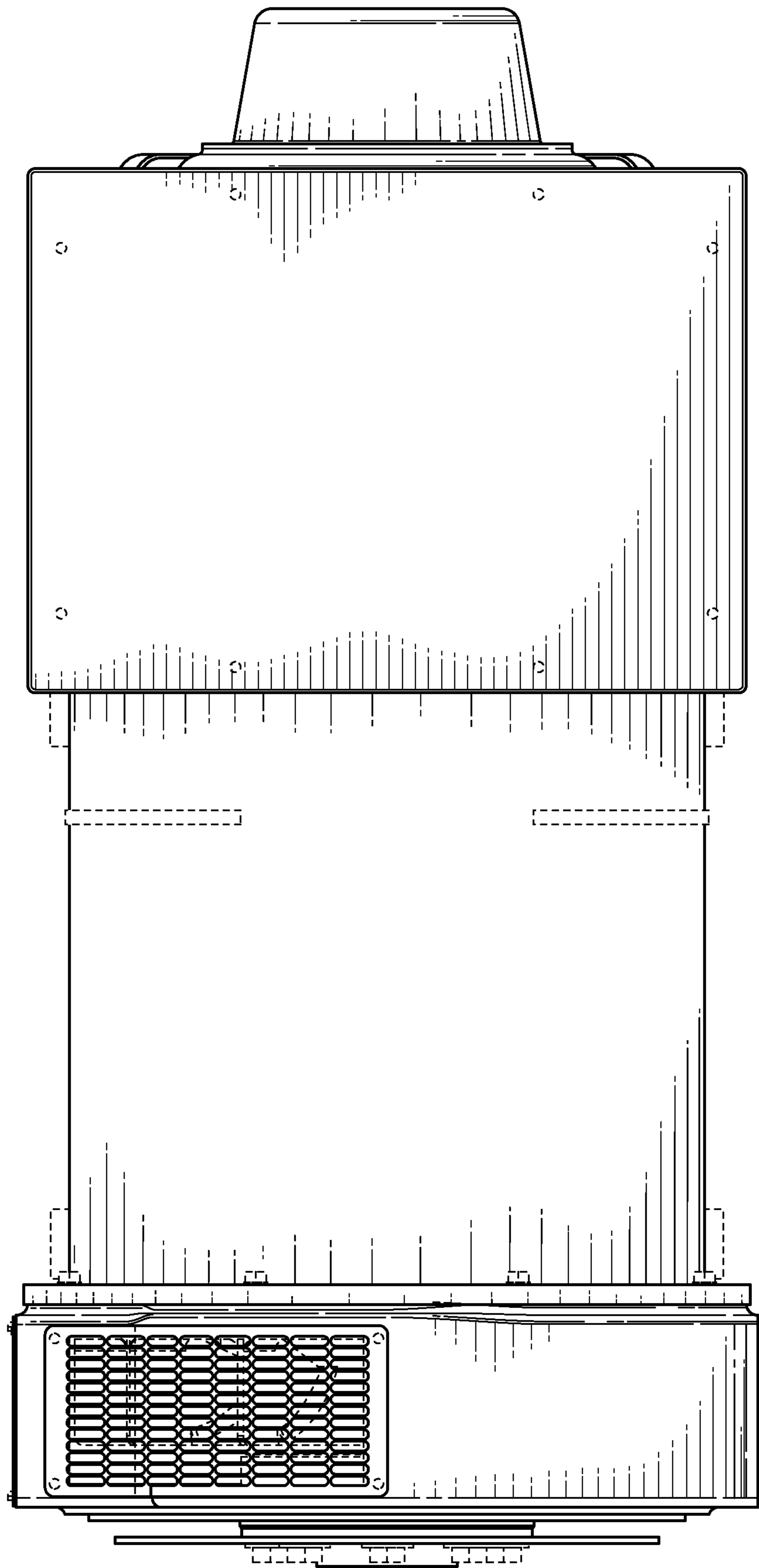
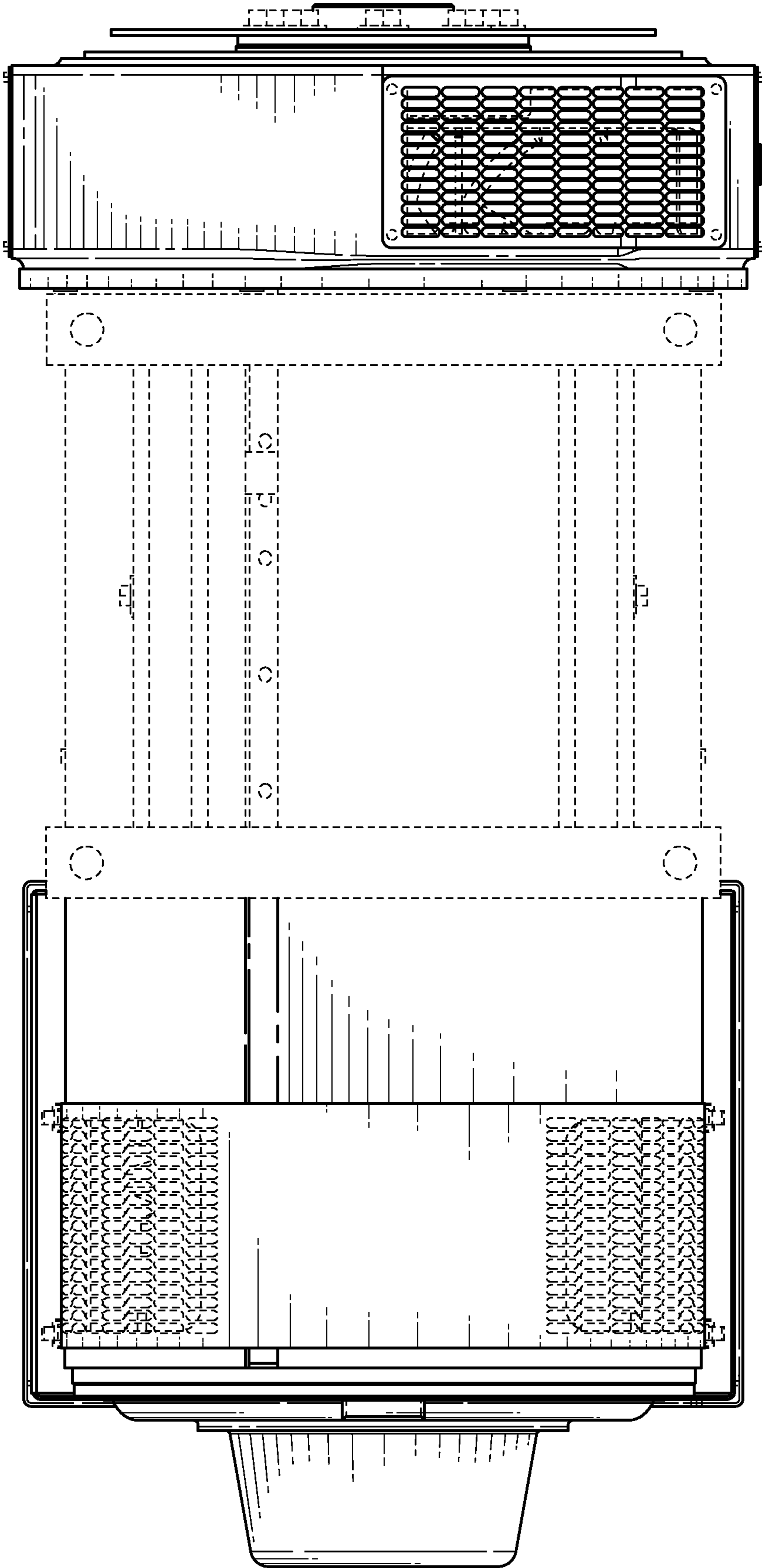


FIG. 8



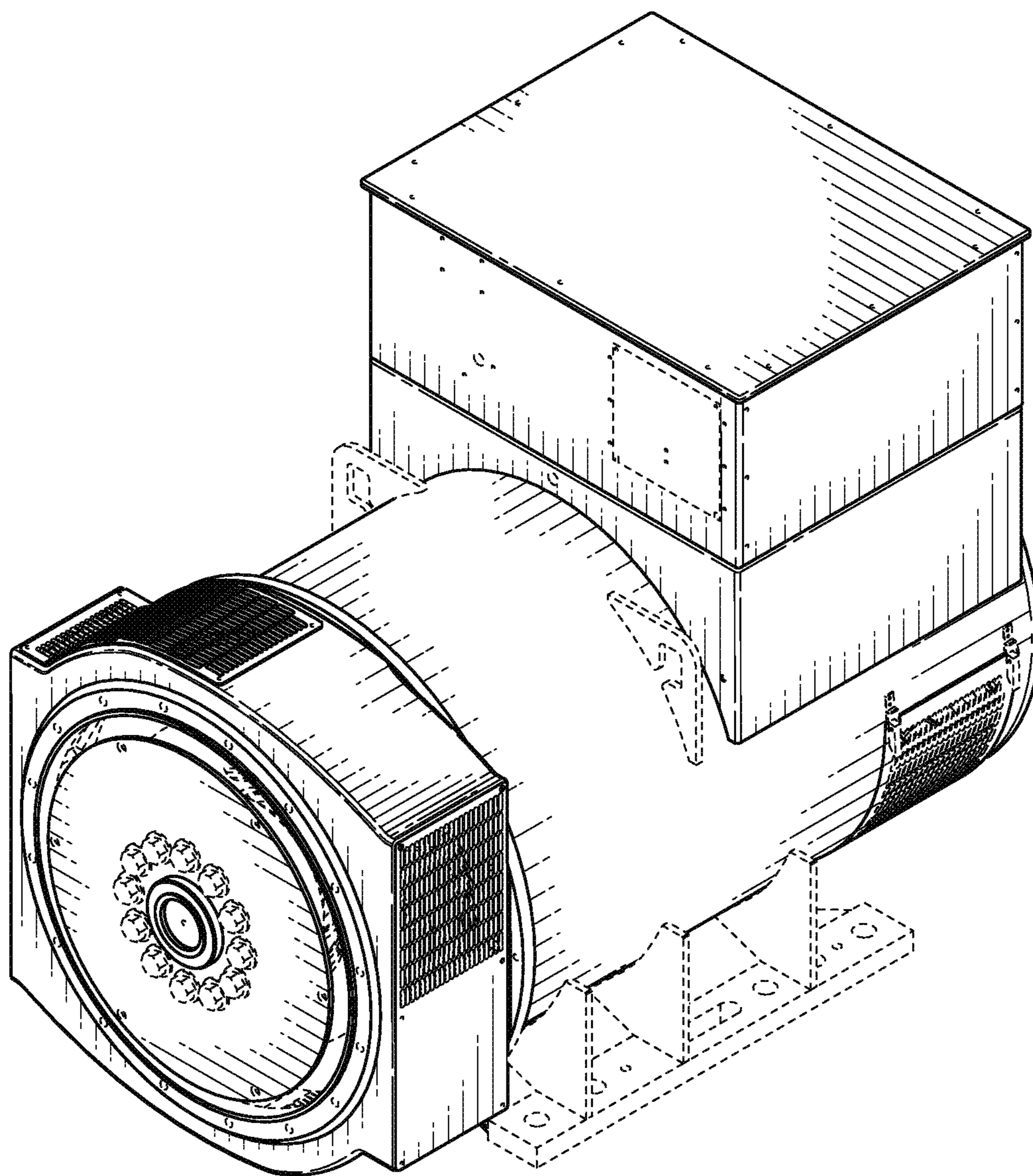


FIG. 9

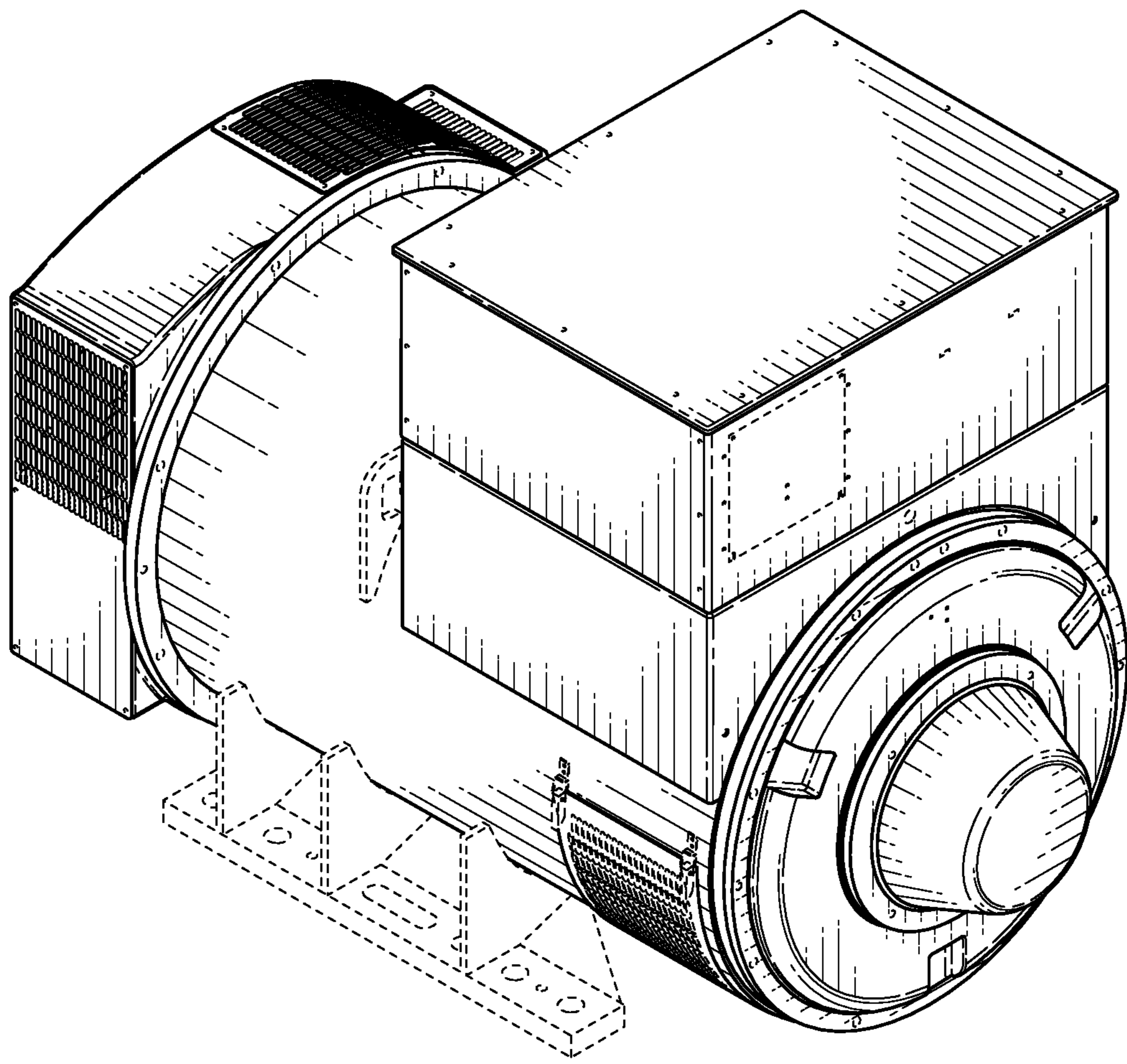


FIG. 10

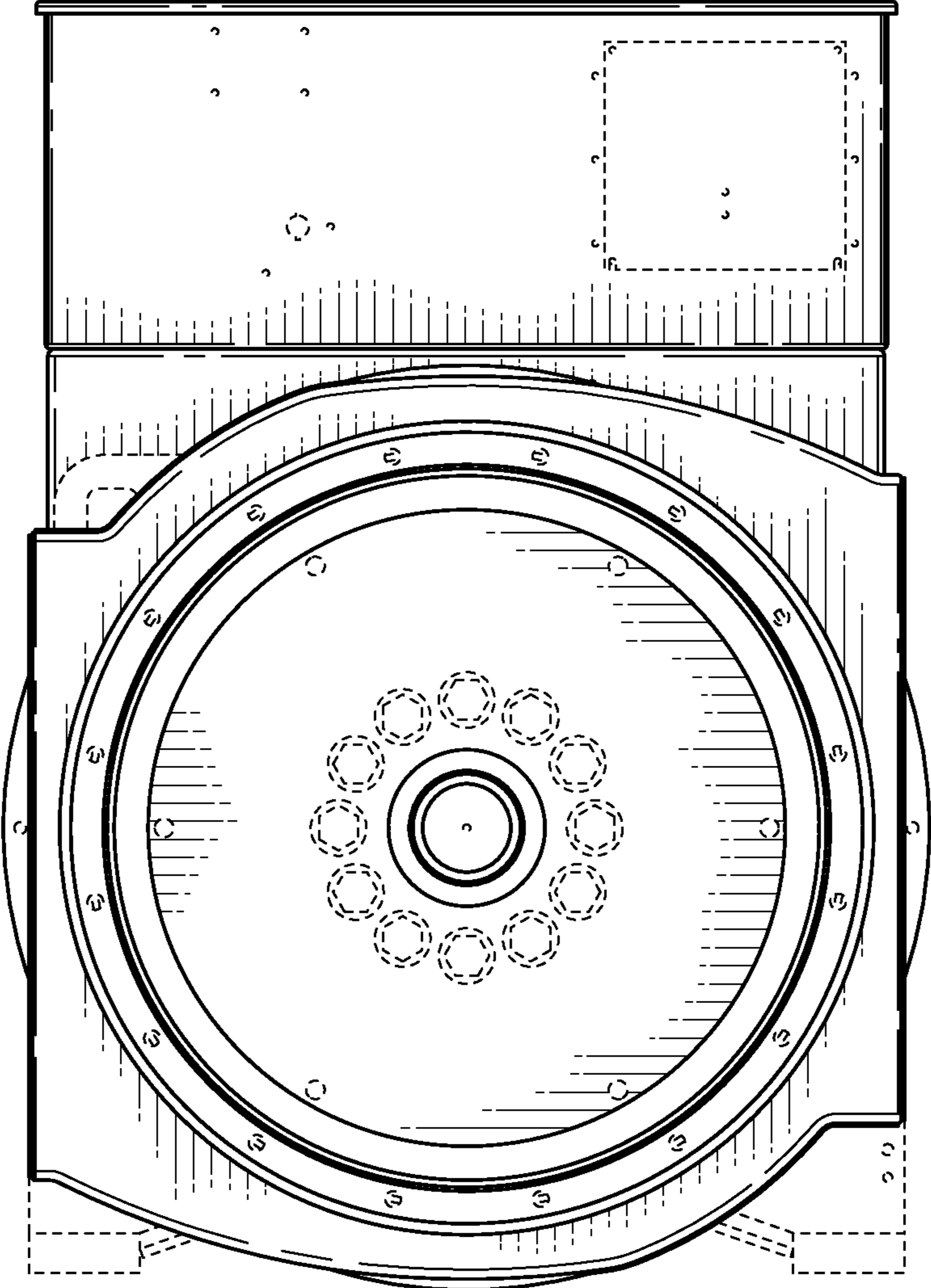


FIG. 11

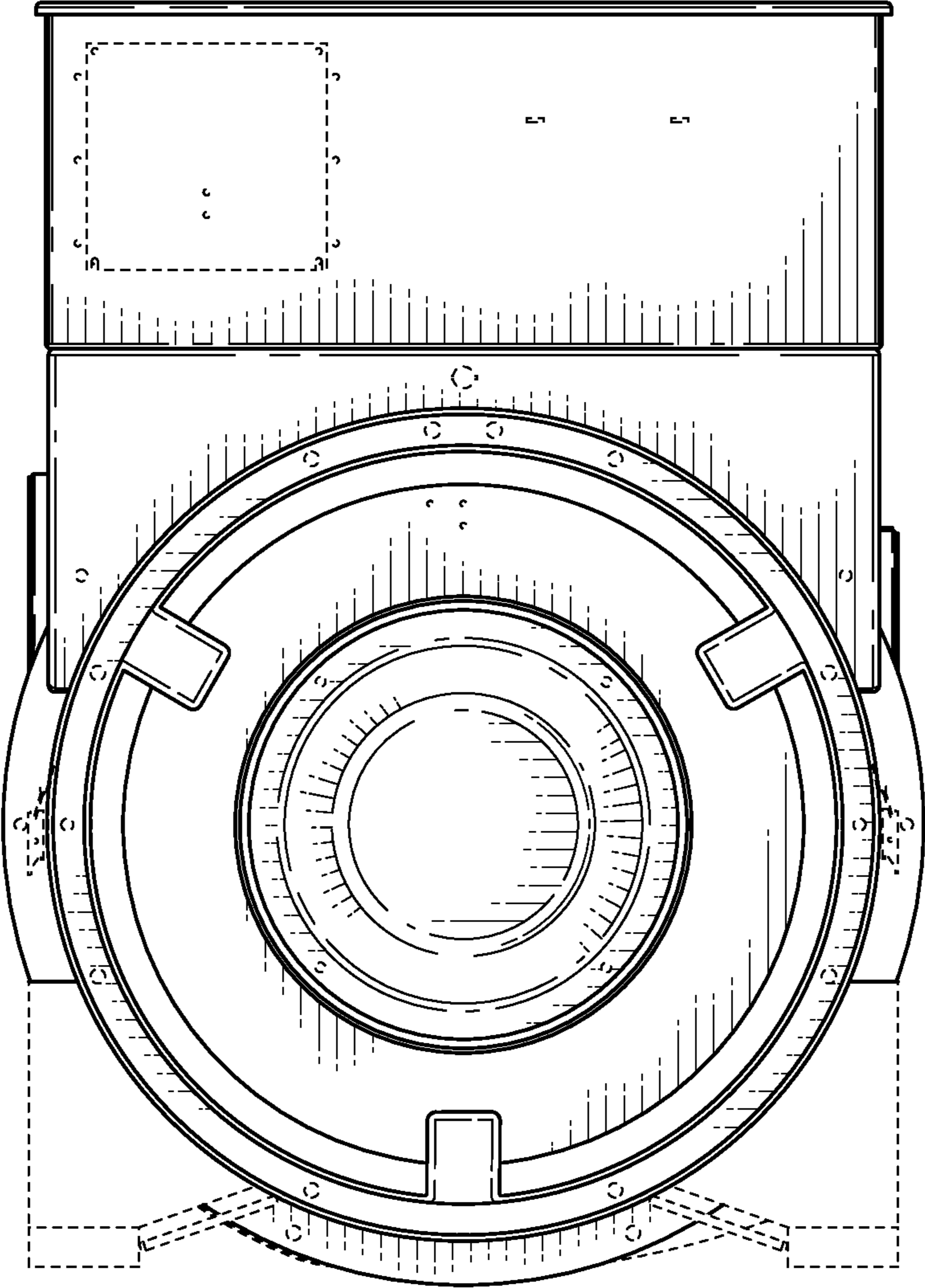
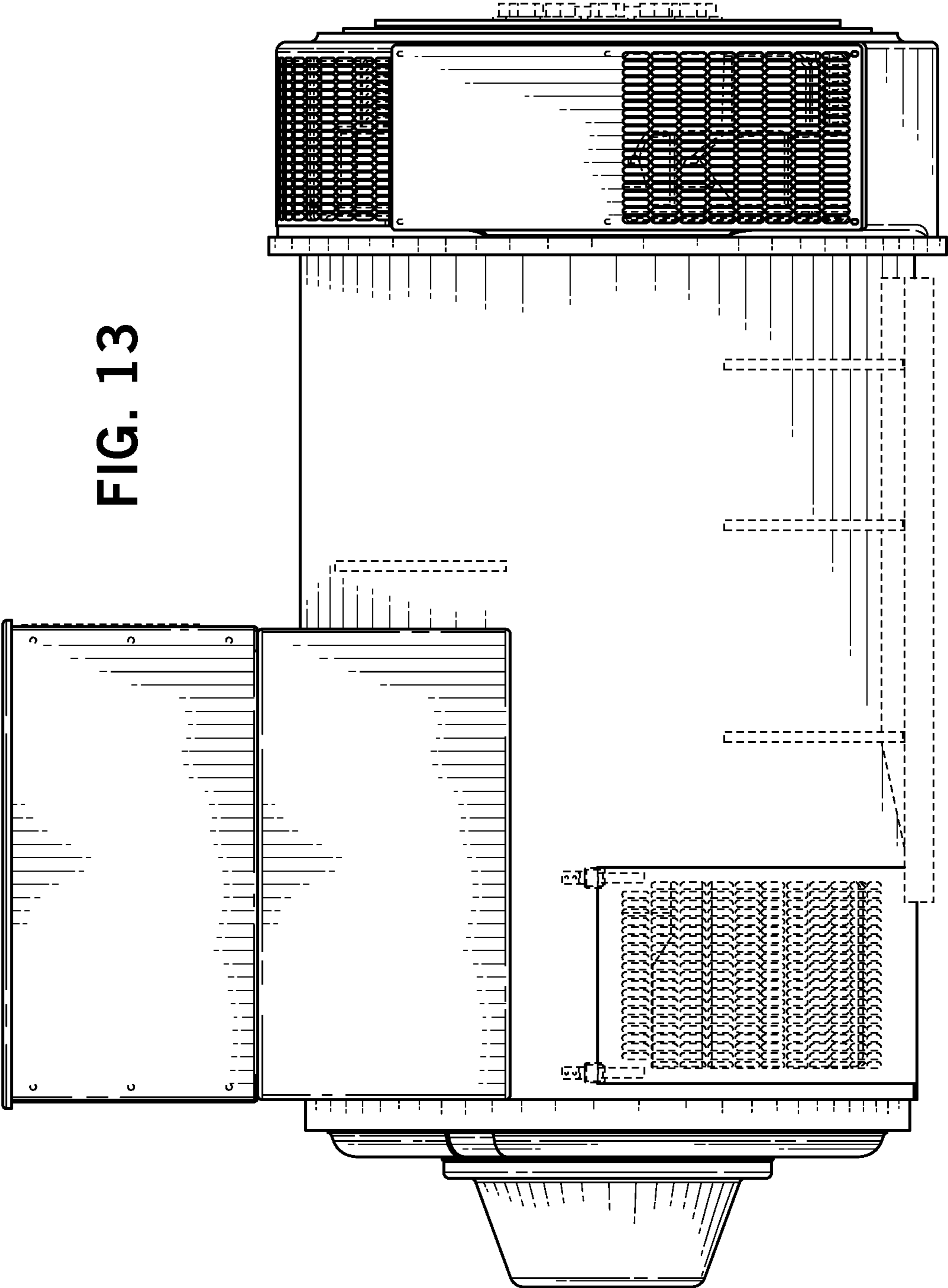


FIG. 12

FIG. 13



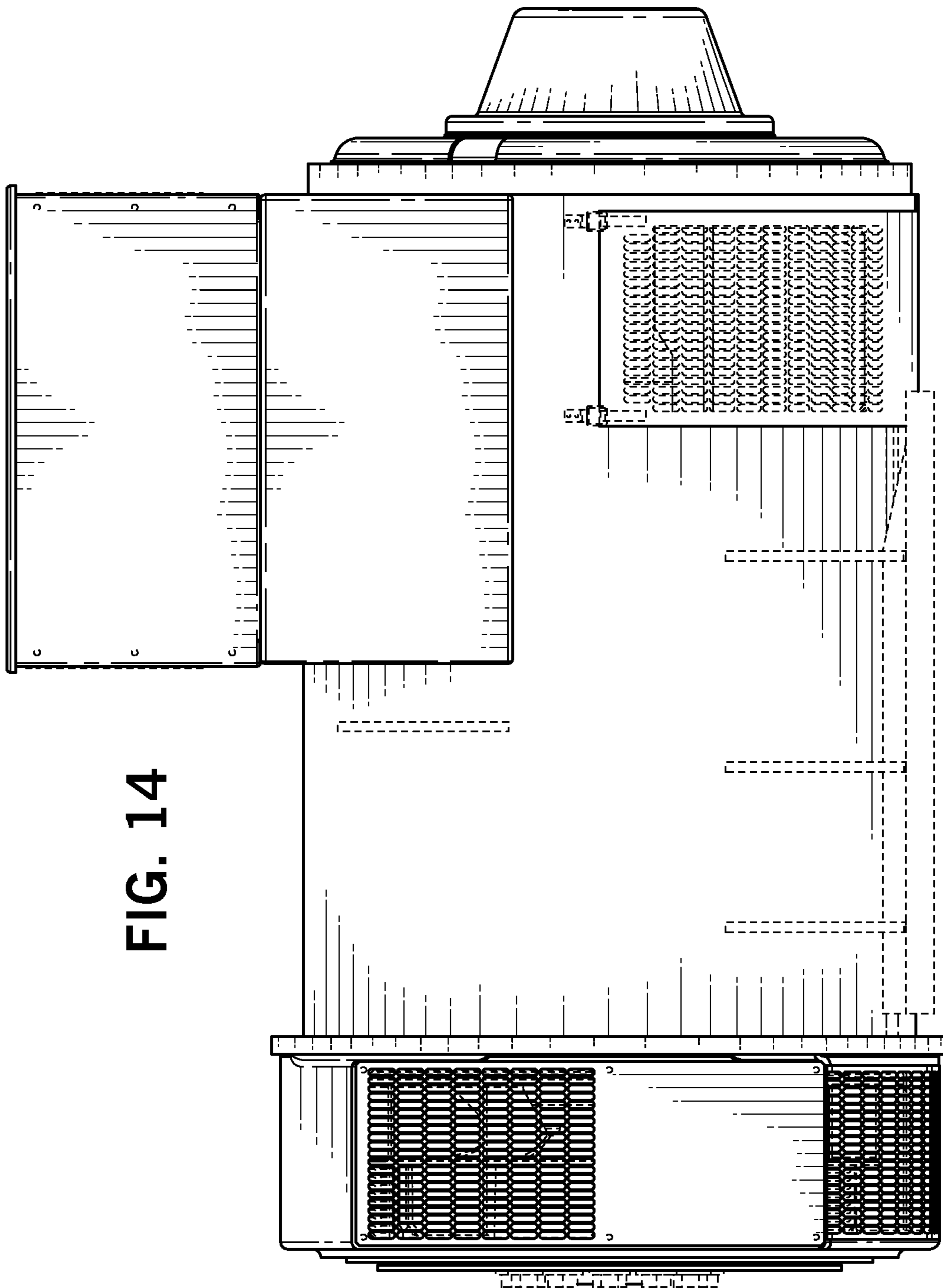


FIG. 14

FIG. 15

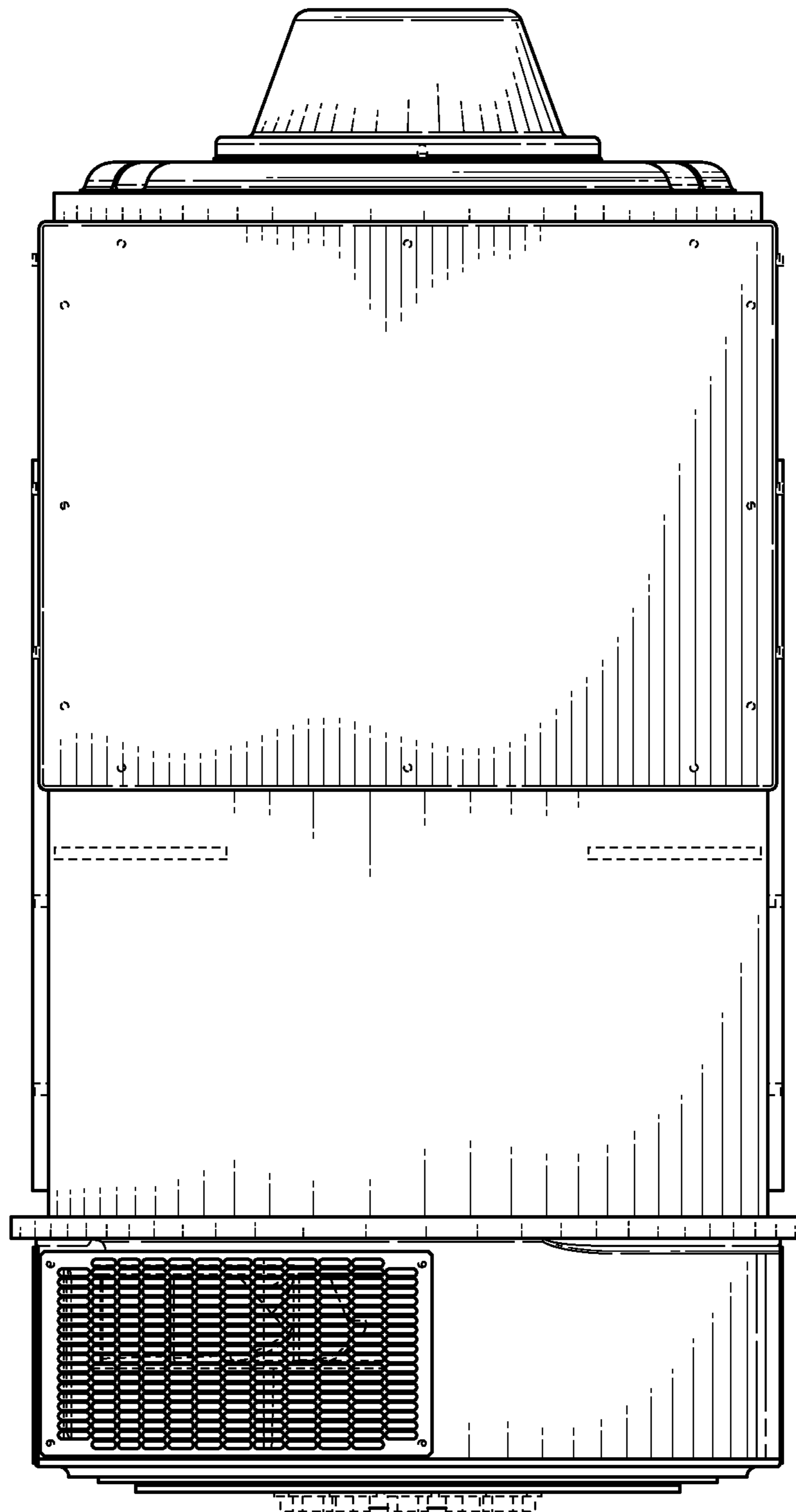


FIG. 16

