



US00D879035S

(12) **United States Design Patent**
Li et al.

(10) **Patent No.:** **US D879,035 S**
(45) **Date of Patent:** **** Mar. 24, 2020**

(54) **CHARGING DEVICE**

(71) Applicants: **Songzhen Li**, Taihe (CN); **Fei Zhang**, Shenzhen (CN)

(72) Inventors: **Songzhen Li**, Taihe (CN); **Fei Zhang**, Shenzhen (CN)

(**) Term: **15 Years**

(21) Appl. No.: **29/710,223**

(22) Filed: **Oct. 22, 2019**

(51) **LOC (12) Cl.** **13-02**

(52) **U.S. Cl.**
USPC **D13/108**

(58) **Field of Classification Search**
USPC D13/107-108, 110, 118, 184; D14/251, D14/253, 432, 434
CPC .. H02J 50/00; H02J 50/10; H02J 50/12; H02J 50/50; H02J 50/80; H02J 7/025; H02J 5/00; H02J 5/005
See application file for complete search history.

(56) **References Cited**

U.S. PATENT DOCUMENTS

D781,236 S	3/2017	Esses	
D808,904 S	1/2018	Koenig	
D810,680 S	2/2018	Carreon et al.	
D813,805 S *	3/2018	Zhong D13/108

D814,413 S *	4/2018	Zhong D13/108
D826,851 S *	8/2018	Wang D13/108
D839,190 S *	1/2019	Xie D13/108
D852,134 S *	6/2019	Mei D13/108
D852,135 S *	6/2019	Mei D13/108
D858,437 S *	9/2019	Lu D13/108
D872,726 S *	1/2020	Lindof D14/253
D873,216 S *	1/2020	Zhang D13/108
2016/0261139 A1 *	9/2016	Kidakarn H02J 7/025

* cited by examiner

Primary Examiner — Rosemary K Tarcza

(74) *Attorney, Agent, or Firm* — HYIP; Jie Yang

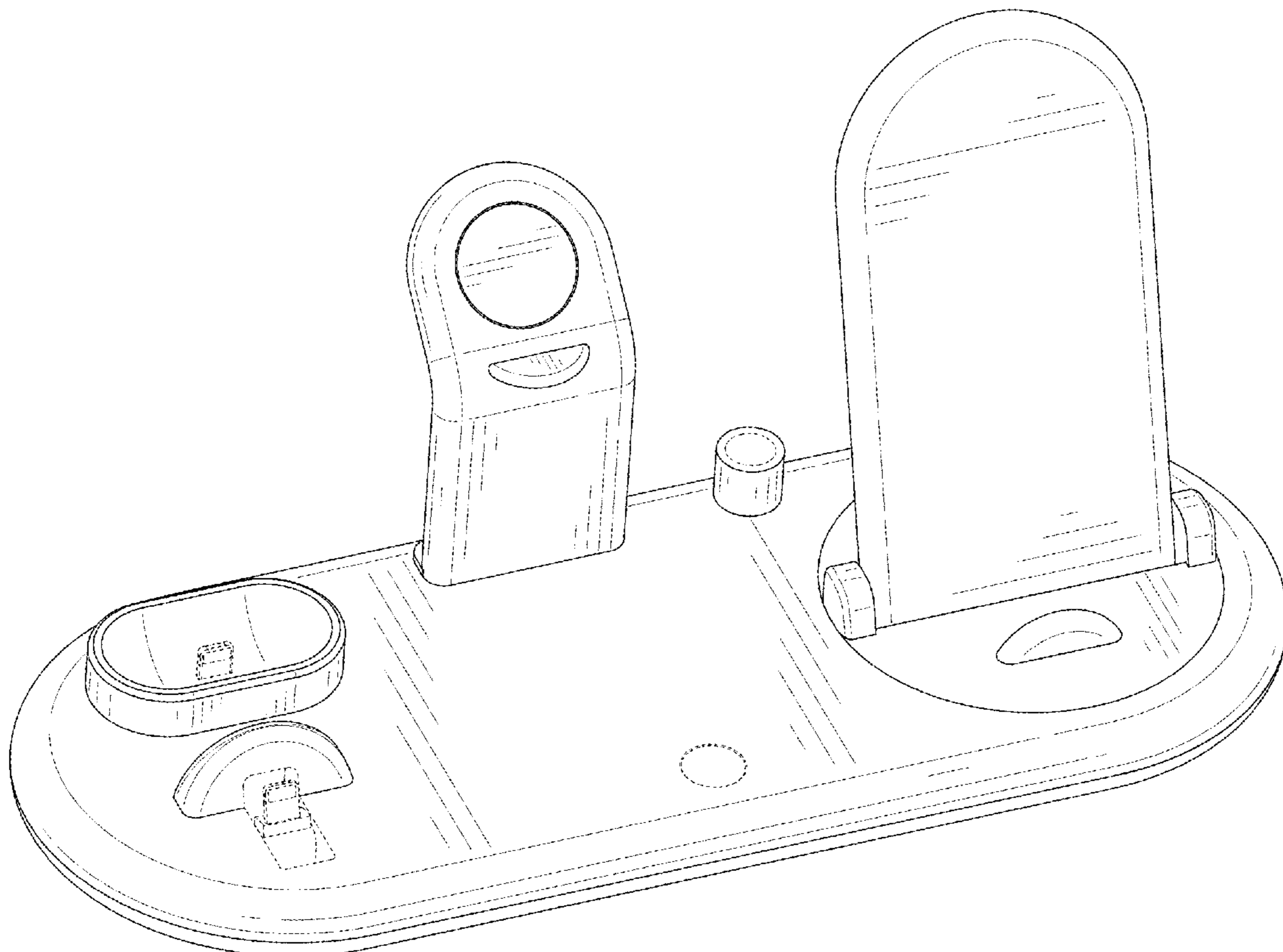
(57) **CLAIM**

The ornamental design for a charging device, as shown and described.

DESCRIPTION

FIG. 1 is a perspective view of a charging device showing my new design;
FIG. 2 is a front view thereof;
FIG. 3 is a back view thereof;
FIG. 4 is a left side view thereof;
FIG. 5 is a right side view thereof;
FIG. 6 is a top view thereof; and,
FIG. 7 is a bottom view thereof.
The broken lines shown in the drawings depict portions of the charging device in which the design is embodied that form no part of the claimed design.

1 Claim, 7 Drawing Sheets



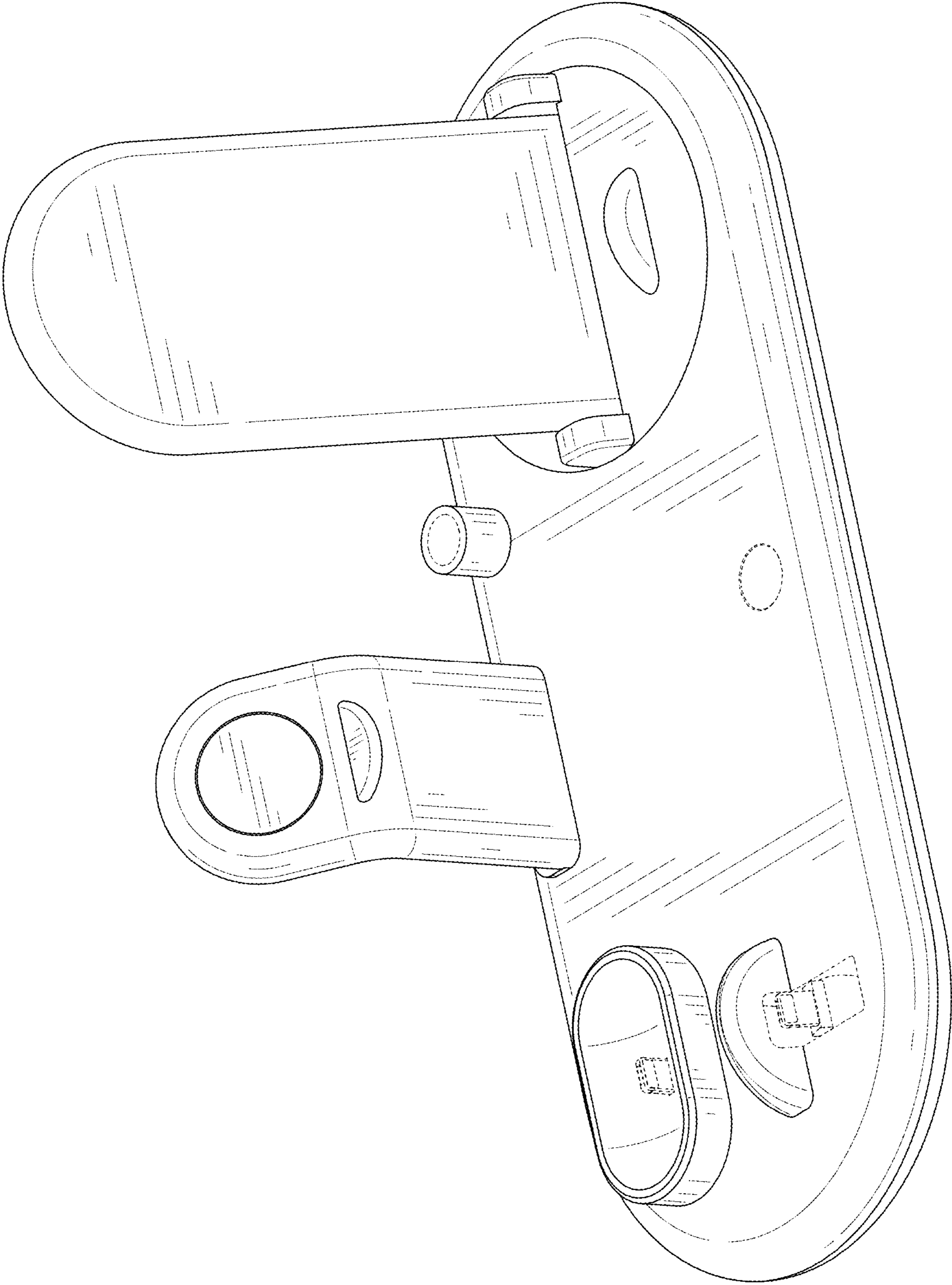


FIG. 1

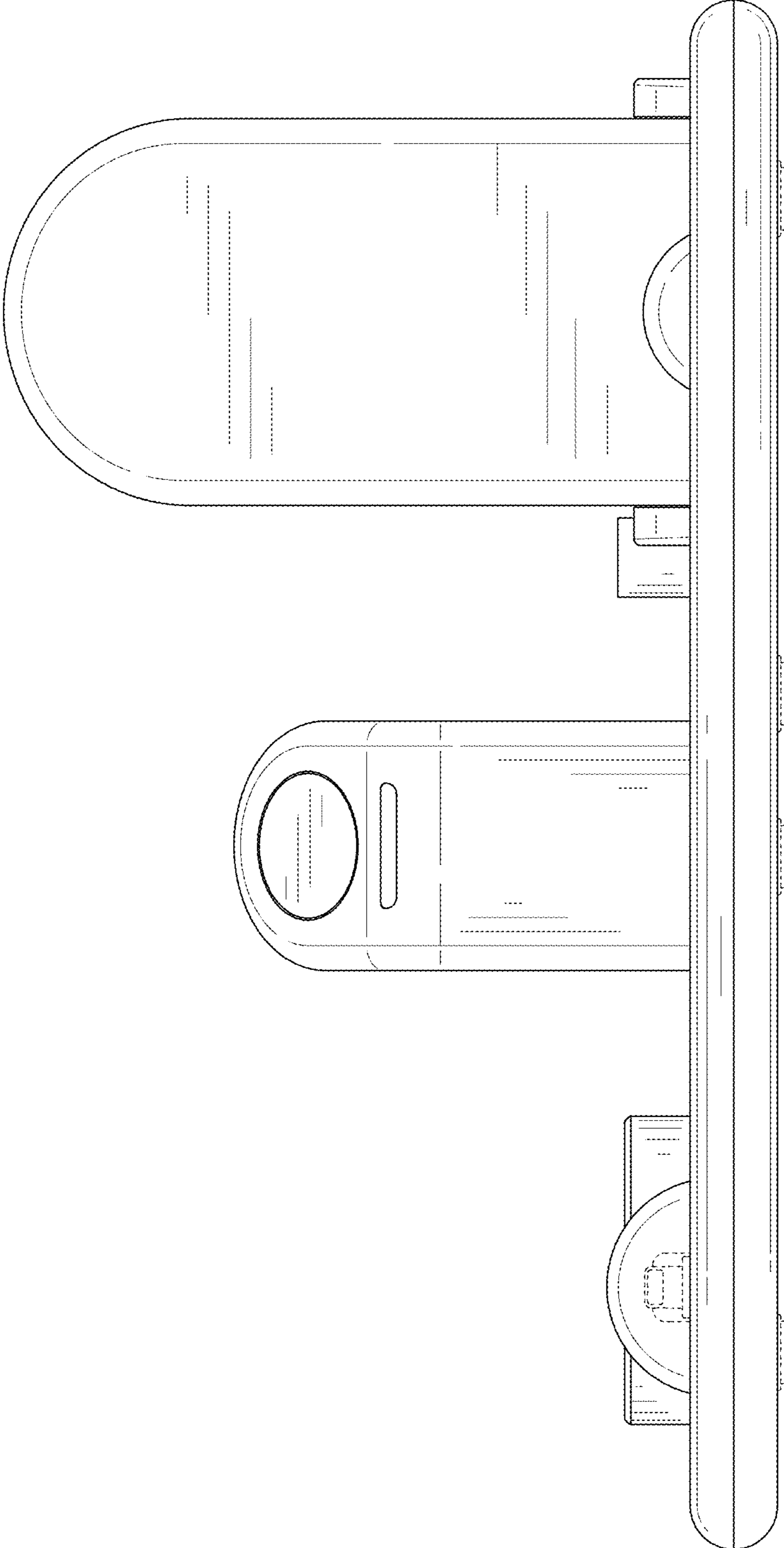


FIG. 2

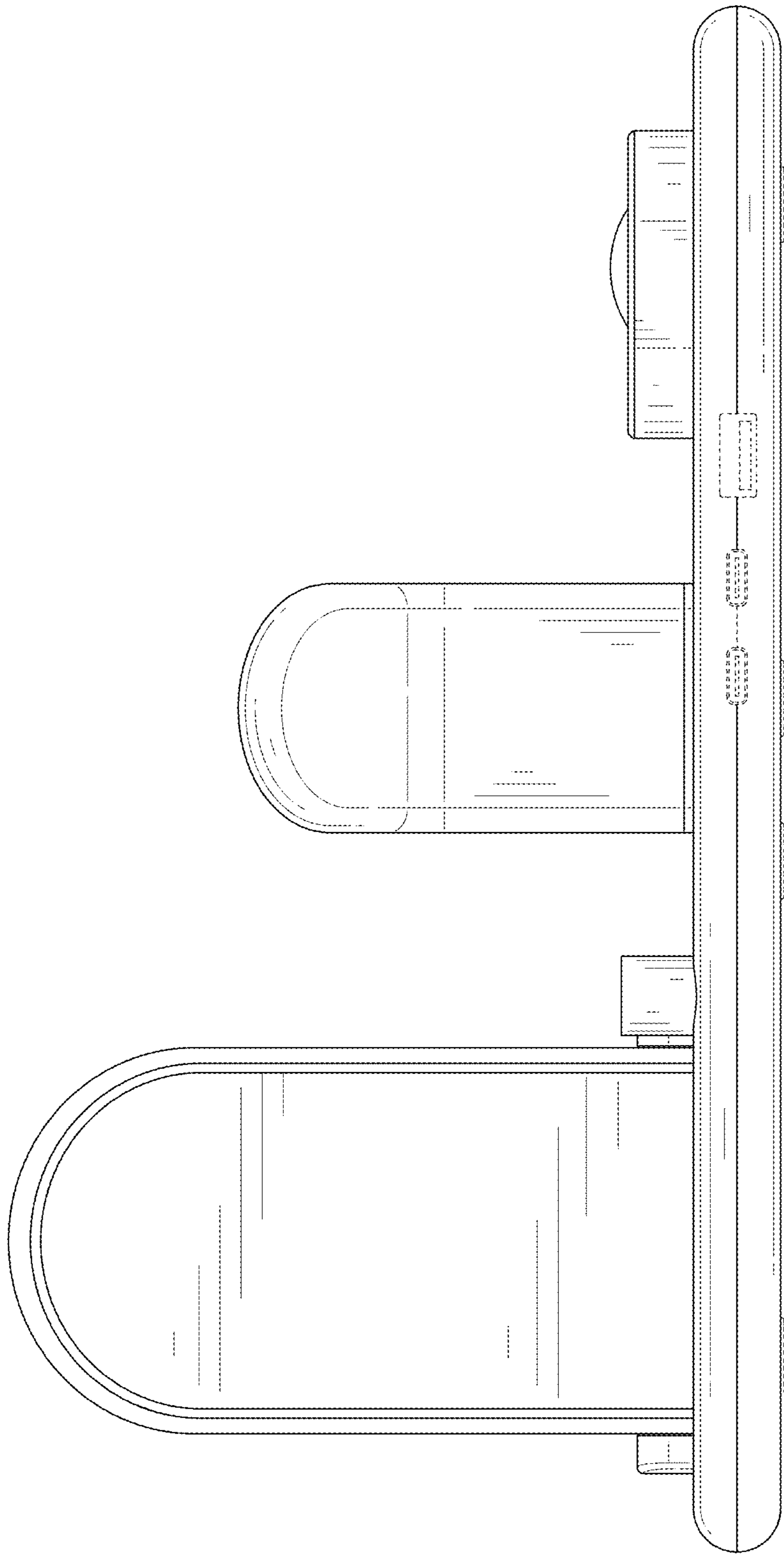


FIG. 3

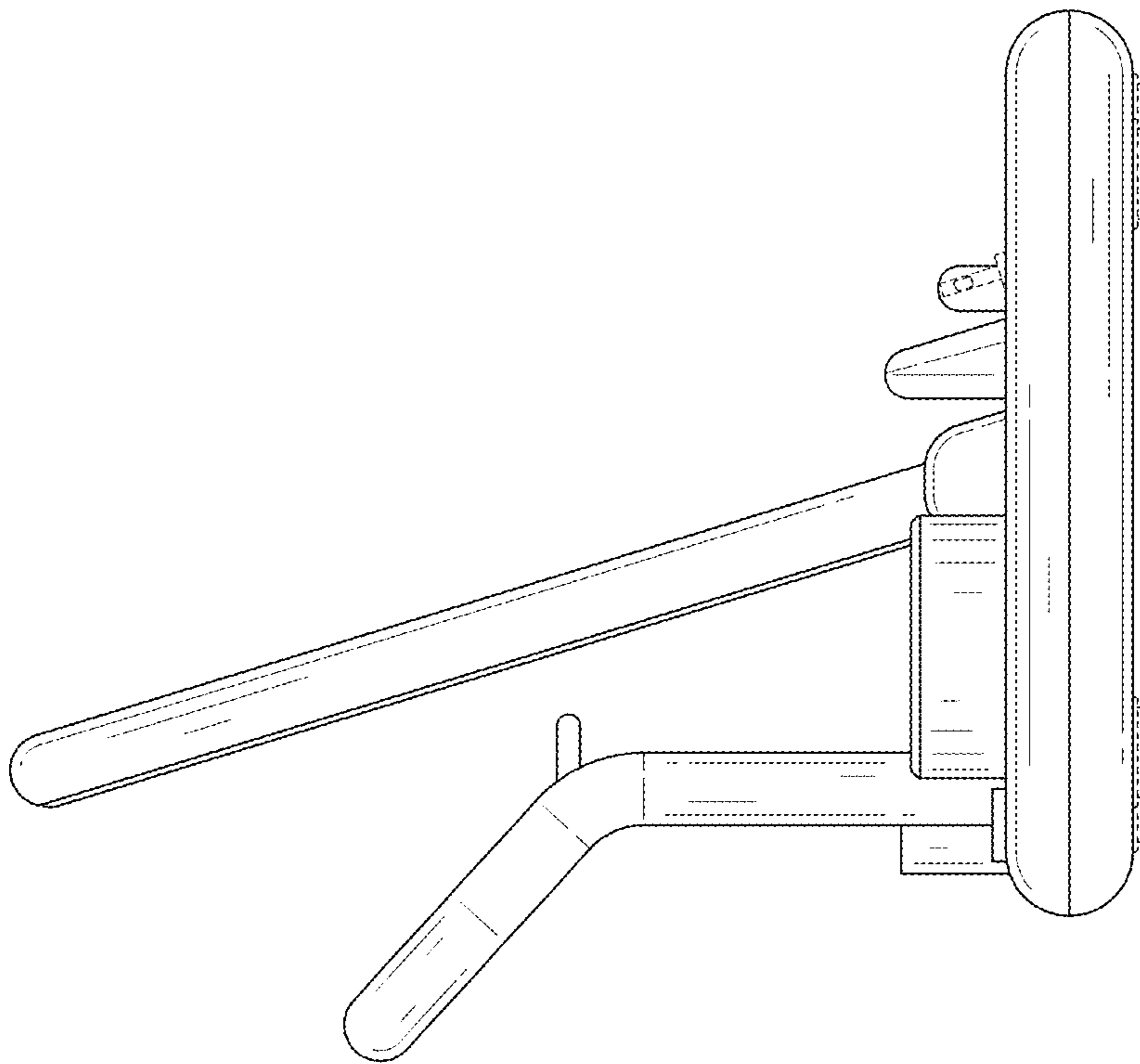


FIG. 4

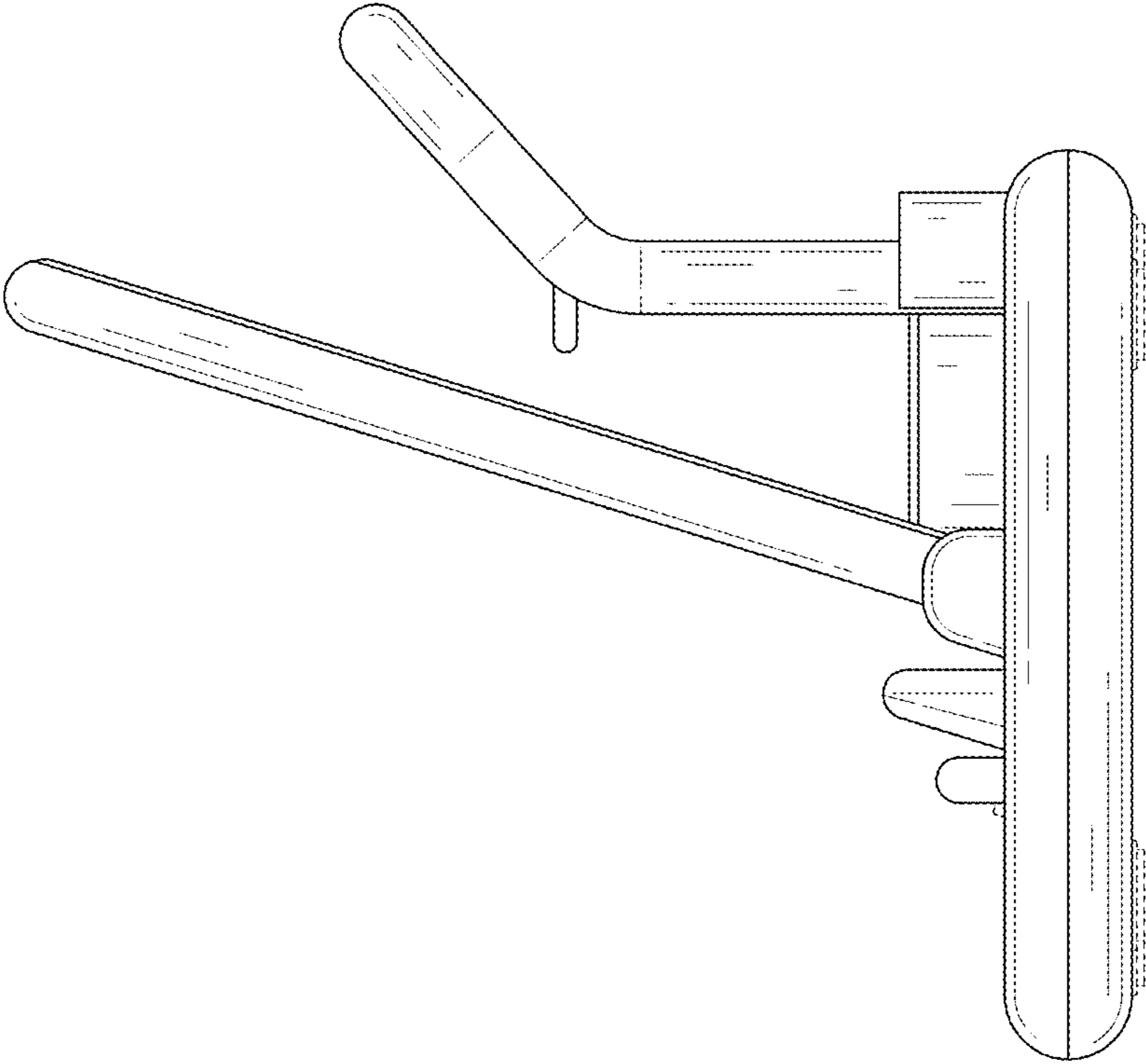


FIG. 5

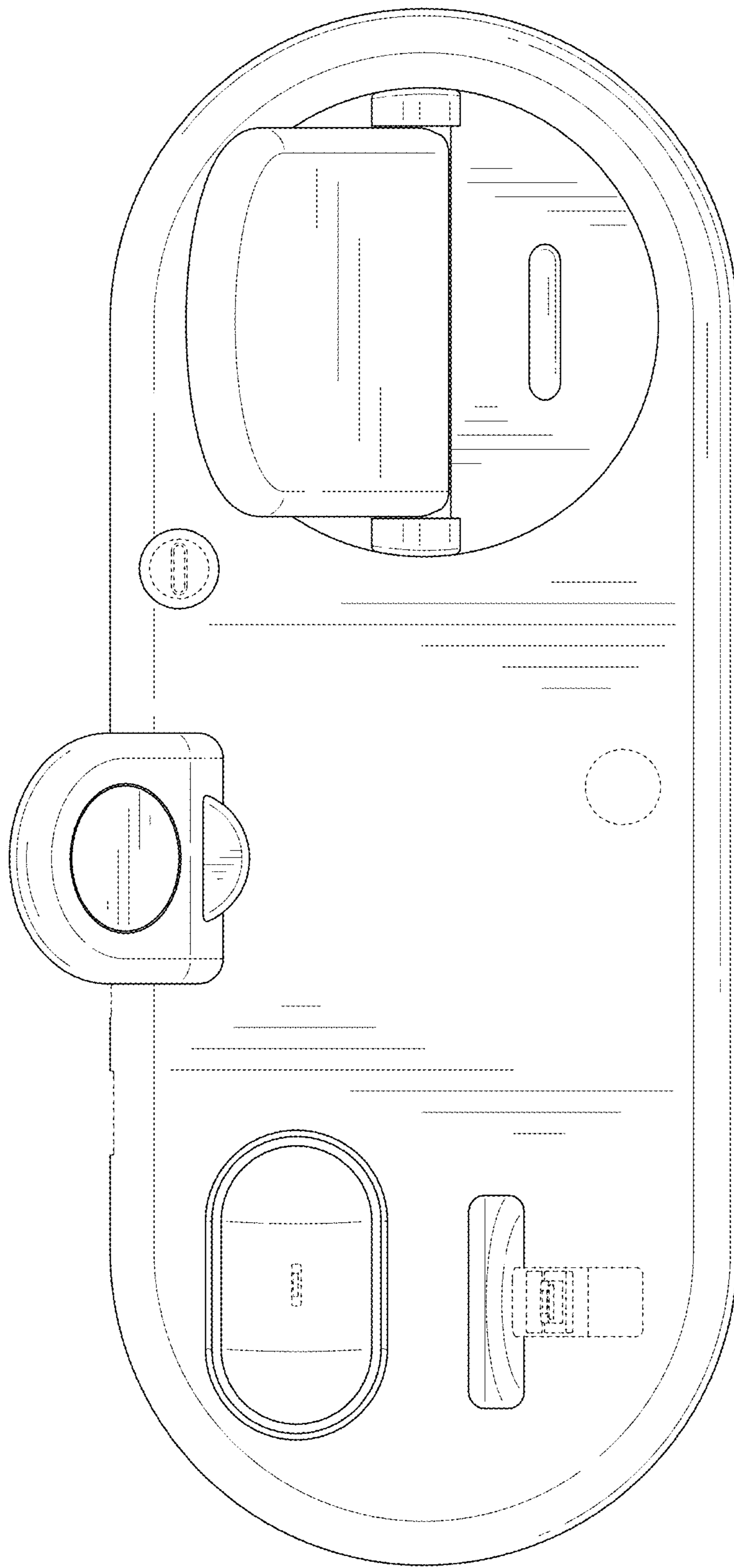


FIG. 6

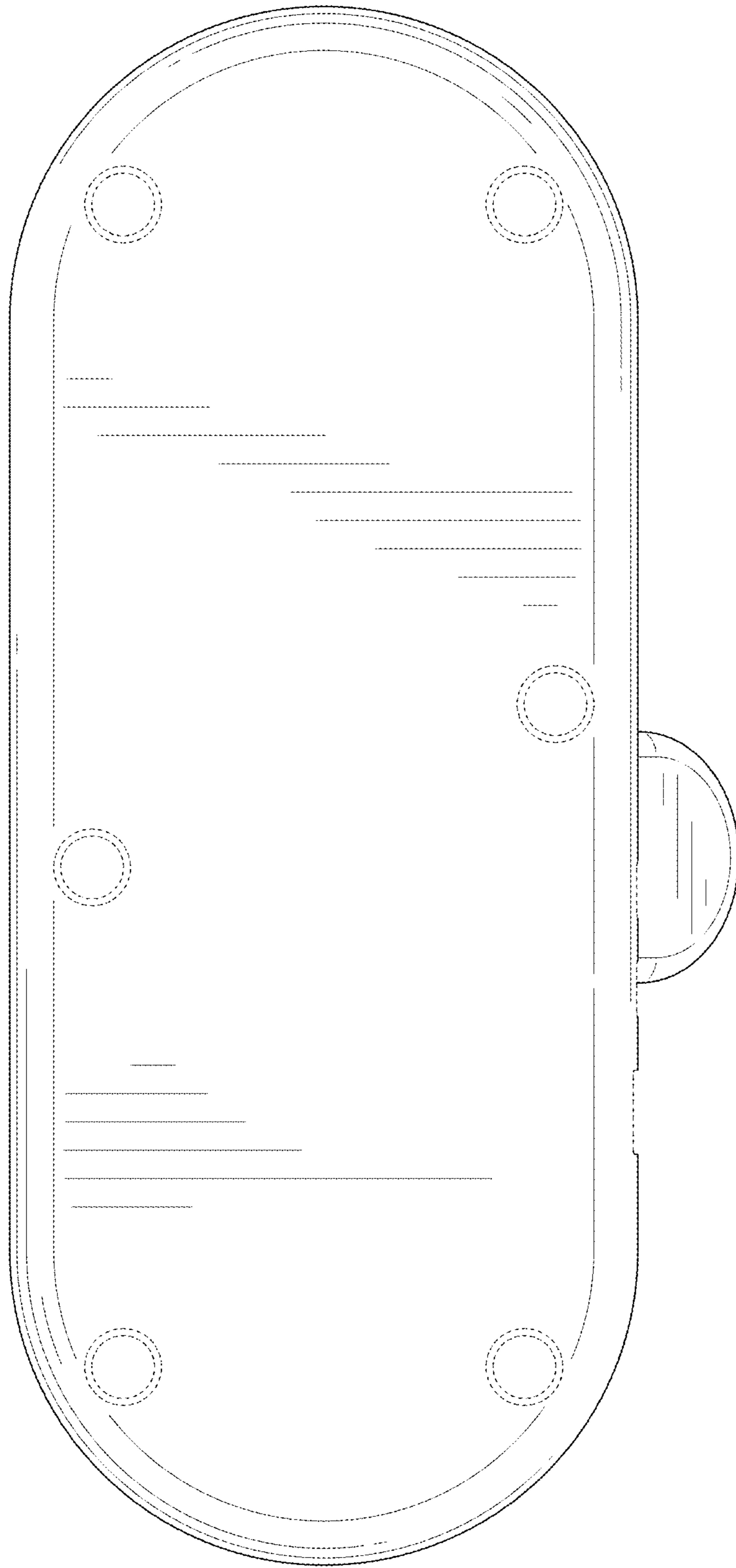


FIG. 7