



US00D879033S

(12) **United States Design Patent**  
**Yoon et al.**

(10) **Patent No.:** **US D879,033 S**  
(45) **Date of Patent:** **\*\* Mar. 24, 2020**

(54) **BATTERY PACK**

(71) Applicant: **LG Chem, Ltd.**, Seoul (KR)

(72) Inventors: **Hyoung Chul Yoon**,  
Chungcheongbuk-do (KR); **Kun Joo**  
**Yang**, Chungcheongbuk-do (KR)

(73) Assignee: **LG Chem, Ltd.** (KR)

(\*\*) Term: **15 Years**

(21) Appl. No.: **29/628,477**

(22) Filed: **Dec. 5, 2017**

(30) **Foreign Application Priority Data**

Sep. 22, 2017 (KR) ..... 30-2017-0044672

(51) **LOC (12) Cl.** ..... **13-02**

(52) **U.S. Cl.**  
USPC ..... **D13/103**

(58) **Field of Classification Search**

USPC ..... D13/102–106, 110, 118, 119, 184, 199,  
D13/107, 108

CPC ..... Y02E 60/12; Y02E 60/122; Y02E 60/124;  
Y02E 60/50; H01M 2/02; H01M 2/022;  
H01M 2/0202; H01M 2/0207; H01M  
2/0212; H01M 2/1061; H01M 2/1022;  
H01M 2/1055; H01M 2/1066; H01M  
2/105; H01M 2/204; H01M 10/4257;  
H01M 10/0436; H01M 10/48

See application file for complete search history.

(56) **References Cited**

**U.S. PATENT DOCUMENTS**

D292,576 S \* 11/1987 Kump ..... D13/106  
D458,900 S \* 6/2002 Carter ..... D13/104  
D623,127 S \* 9/2010 Seyama ..... D13/104

(Continued)

*Primary Examiner* — Rosemary K Tarca

*Assistant Examiner* — Christy M Nemeth

(74) *Attorney, Agent, or Firm* — Lerner, David,  
Littenberg, Krumholz & Mentlik, LLP

(57) **CLAIM**

The ornamental design for a battery pack, as shown and described.

**DESCRIPTION**

FIG. 1 is a front perspective view of a battery pack according to our design;

FIG. 2 is a front view thereof;

FIG. 3 is a rear view thereof;

FIG. 4 is a left side view thereof;

FIG. 5 is a right side view thereof;

FIG. 6 is a top view thereof;

FIG. 7 is a bottom view thereof;

FIG. 8 is an enlarged detail view of area 8 circumscribed within FIG. 1;

FIG. 9 is an enlarged detail view of area 9 circumscribed within FIG. 1;

FIG. 10 is an enlarged detail view of area 10 circumscribed within FIG. 1;

FIG. 11 is an enlarged detail view of area 11 circumscribed within FIG. 2;

FIG. 12 is an enlarged detail view of area 12 circumscribed within FIG. 2;

FIG. 13 is an enlarged detail view of area 13 circumscribed within FIG. 5;

FIG. 14 is an enlarged detail view of area 14 circumscribed within FIG. 5;

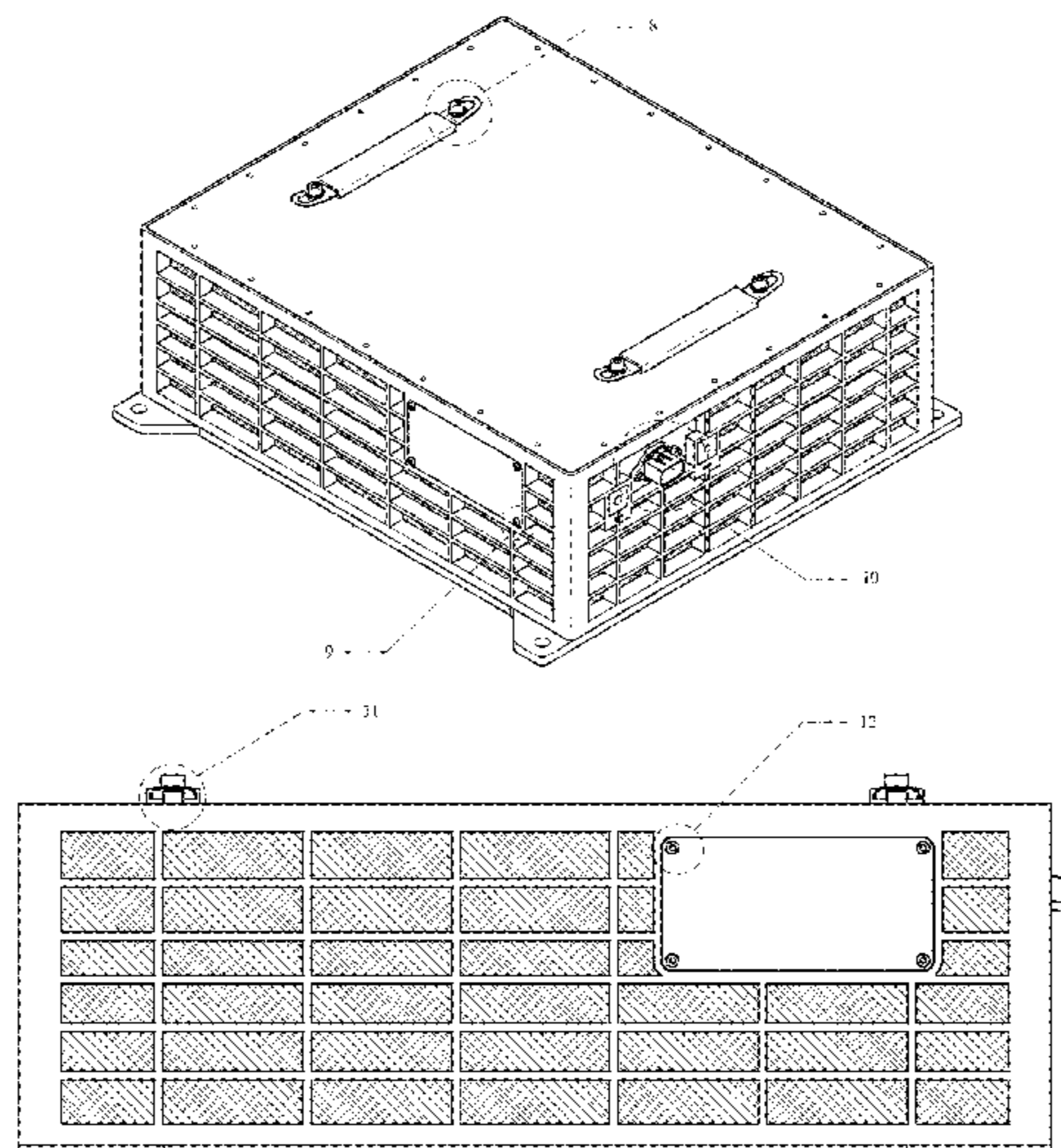
FIG. 15 is an enlarged detail view of area 15 circumscribed within FIG. 5;

FIG. 16 is an enlarged detail view of area 16 circumscribed within FIG. 6; and,

FIG. 17 is an enlarged detail view of area 17 circumscribed within FIG. 6.

The broken lines in the drawings are for the purpose of illustrating portions of the battery pack that form no part of the claimed design.

**1 Claim, 12 Drawing Sheets**



(56)

**References Cited**

U.S. PATENT DOCUMENTS

D756,912 S \* 5/2016 Sato ..... D13/104  
D766,824 S \* 9/2016 Li ..... D13/110  
9,564,663 B2 \* 2/2017 Kim ..... H01M 10/482  
9,620,761 B2 \* 4/2017 Smith ..... H01M 2/202  
D823,797 S \* 7/2018 Krantz ..... D13/110  
10,020,486 B2 \* 7/2018 Eom ..... H01M 2/1077  
10,084,217 B2 \* 9/2018 Merriman ..... H01M 10/6555  
10,096,862 B2 \* 10/2018 Motoi ..... H01M 4/20  
10,096,867 B2 \* 10/2018 Lee ..... H01M 2/10  
2017/0162841 A1 \* 6/2017 Lee ..... H02S 40/38

\* cited by examiner

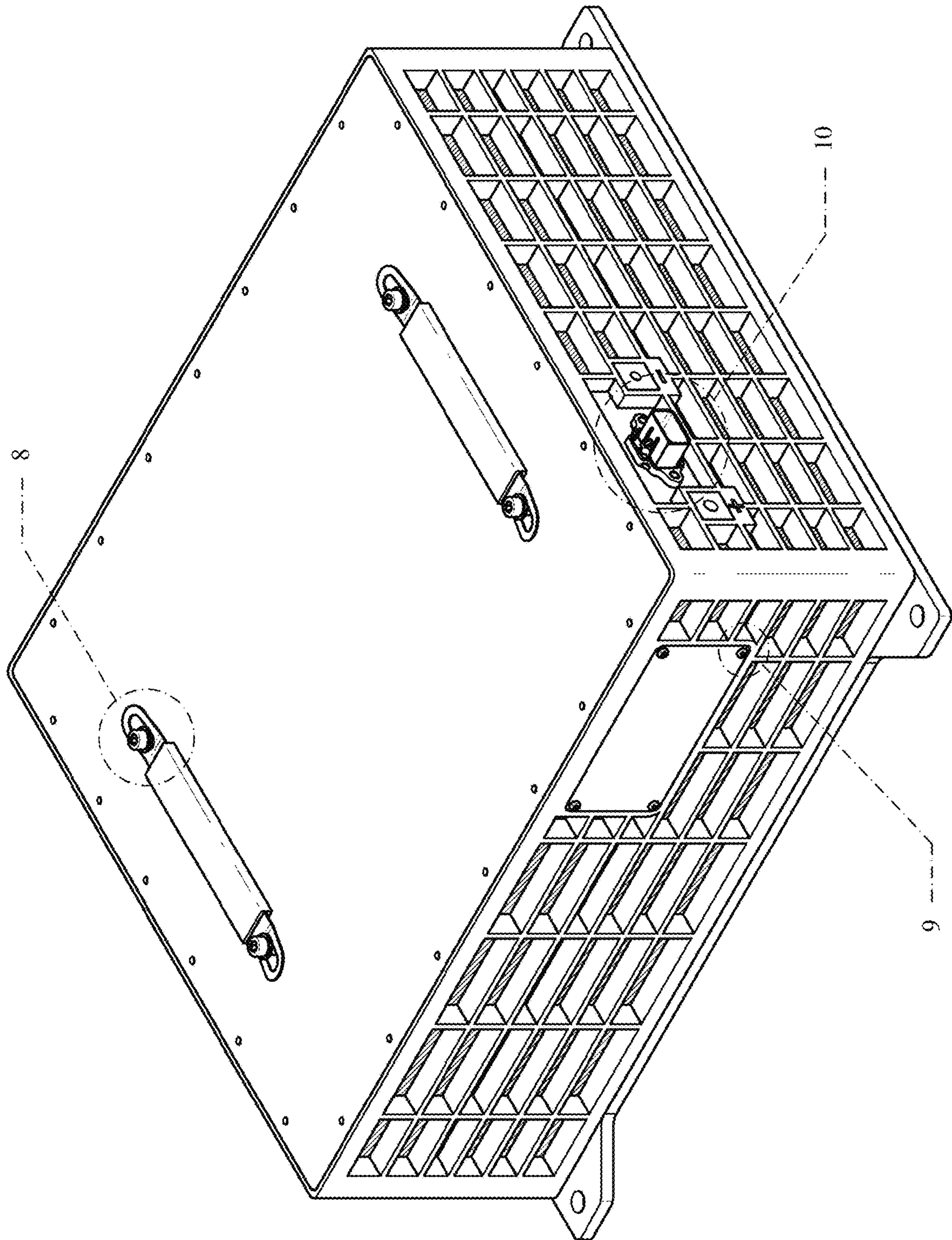


Figure 1

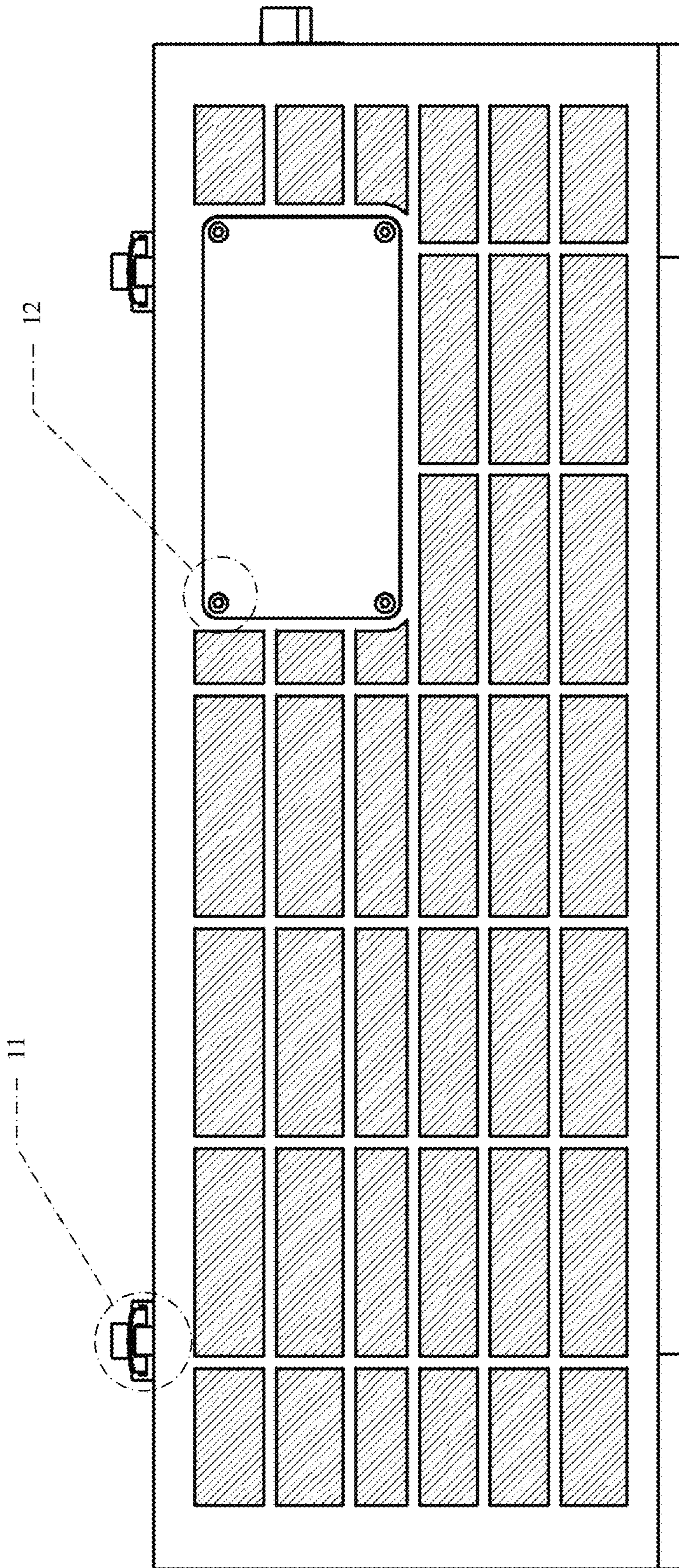


Figure 2

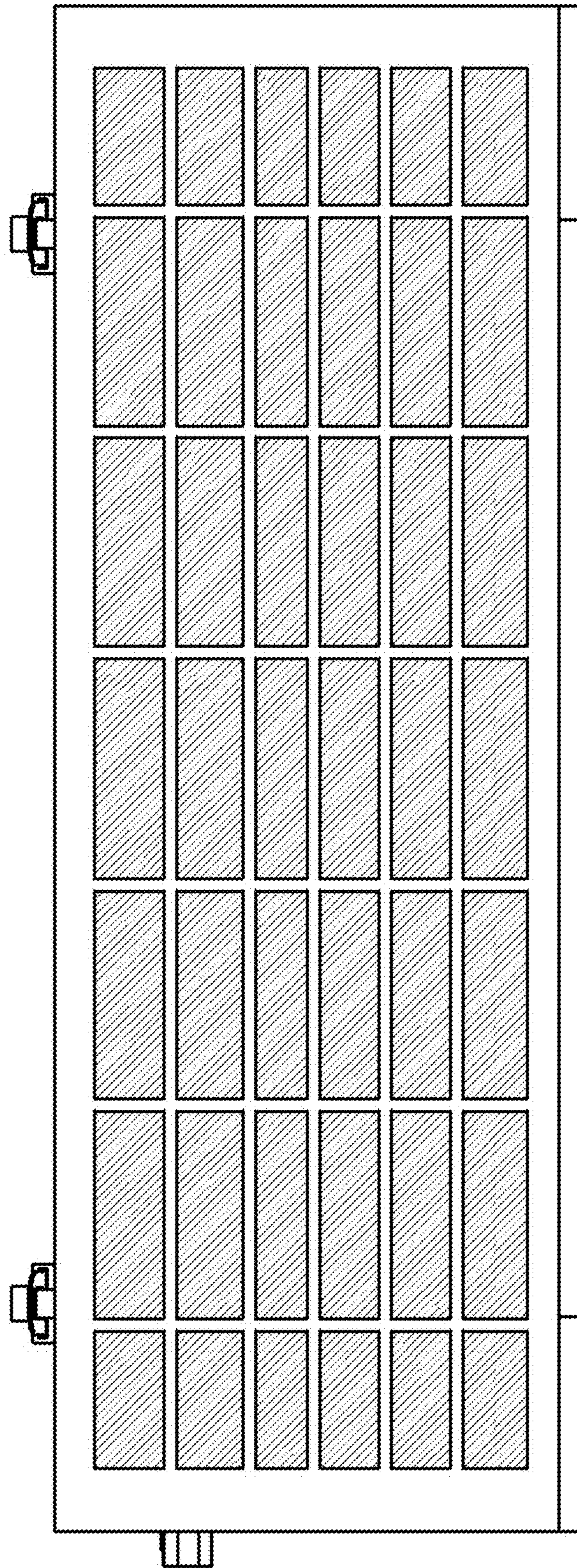


Figure 3

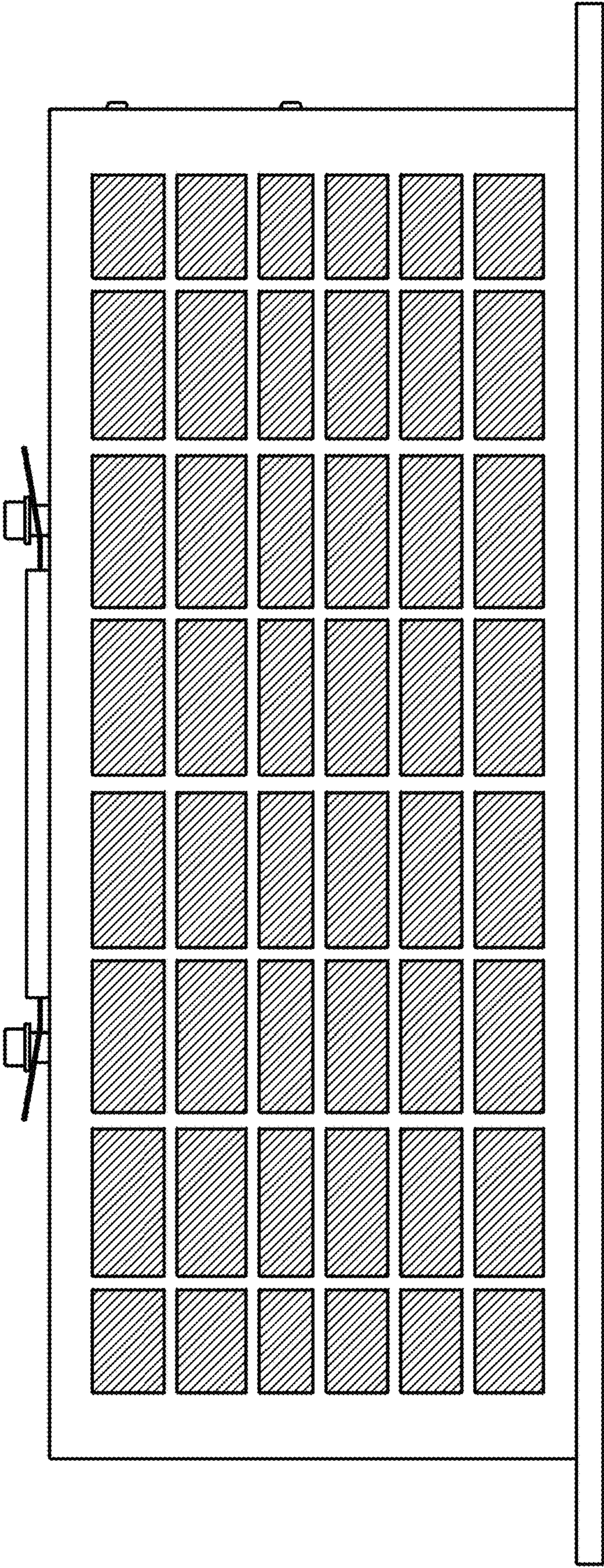


Figure 4

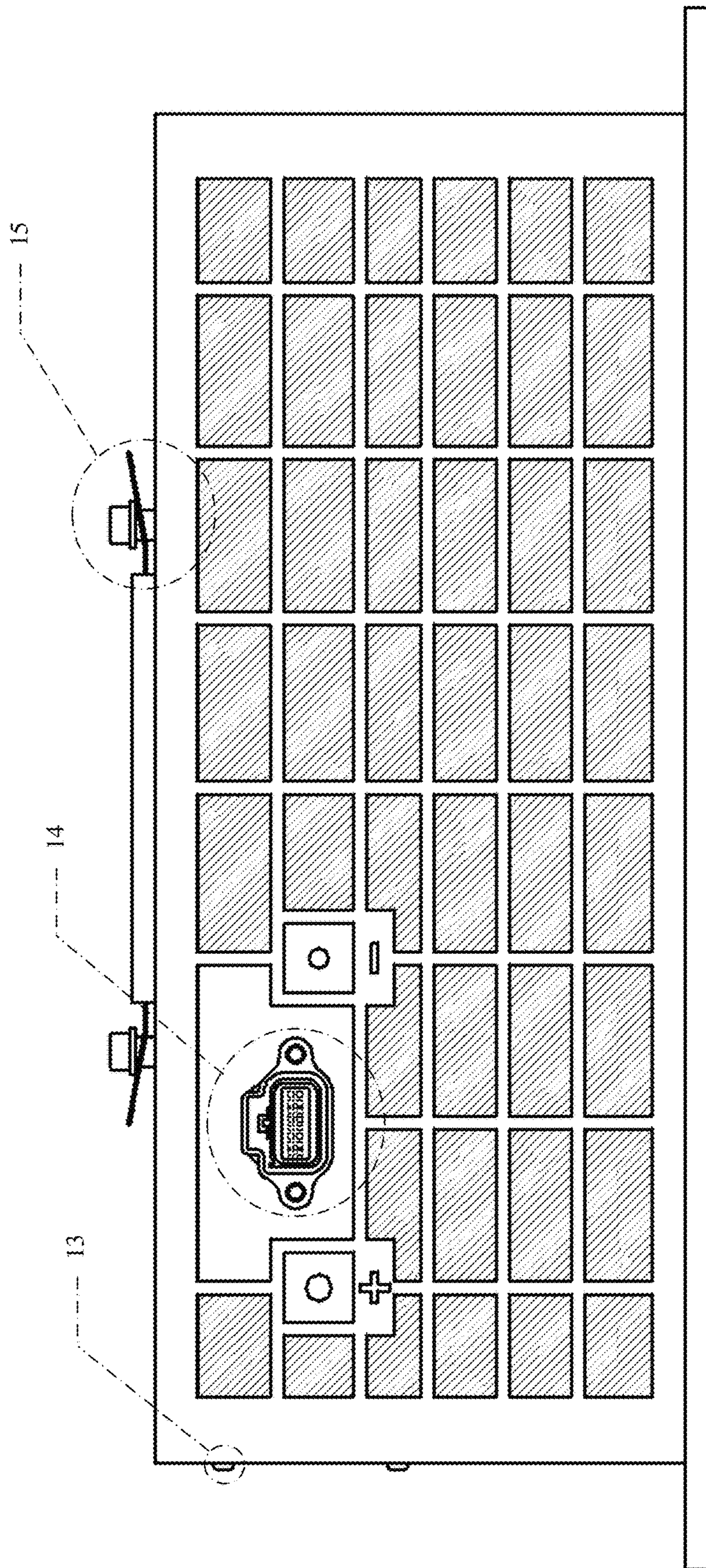


Figure 5

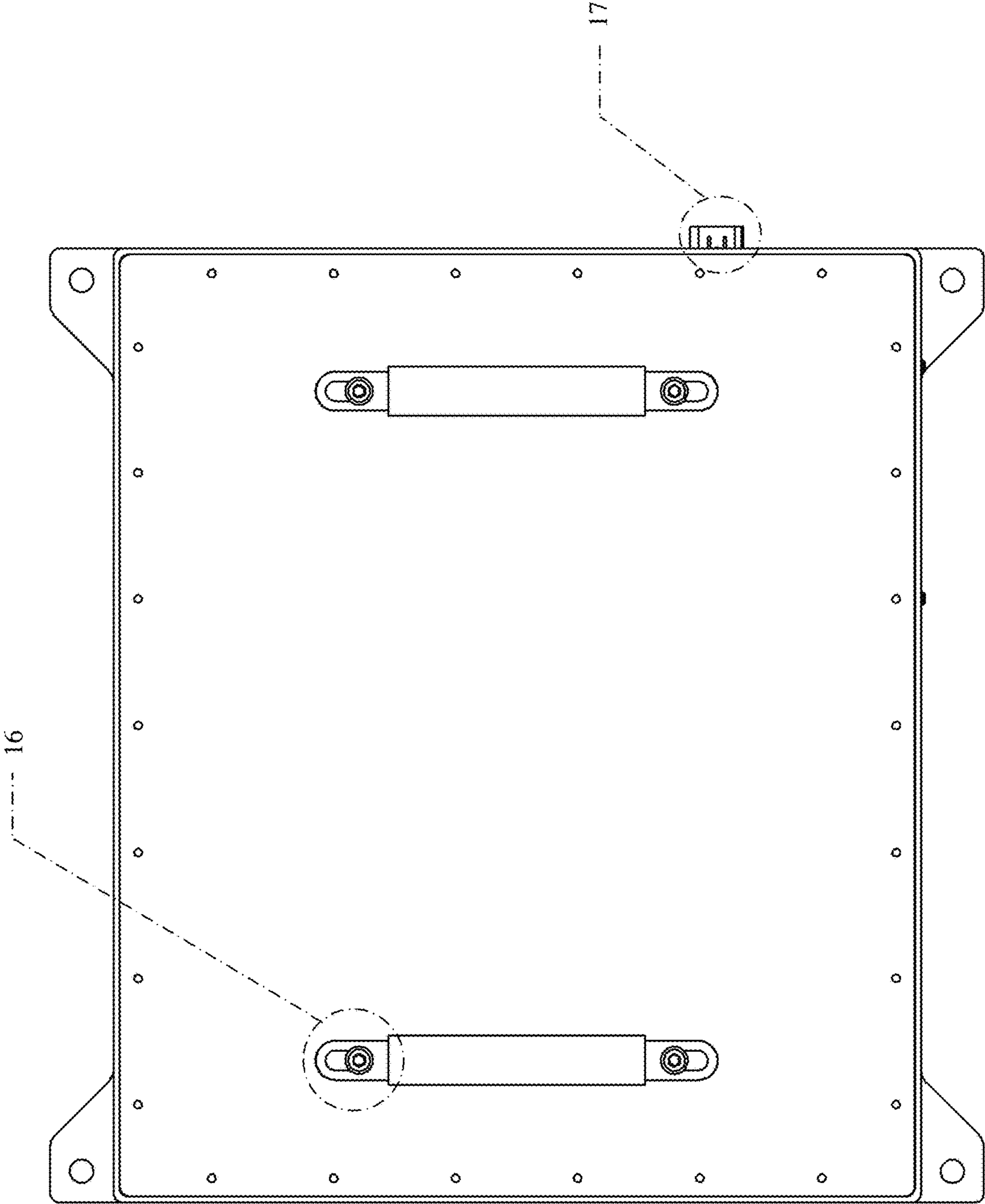


Figure 6



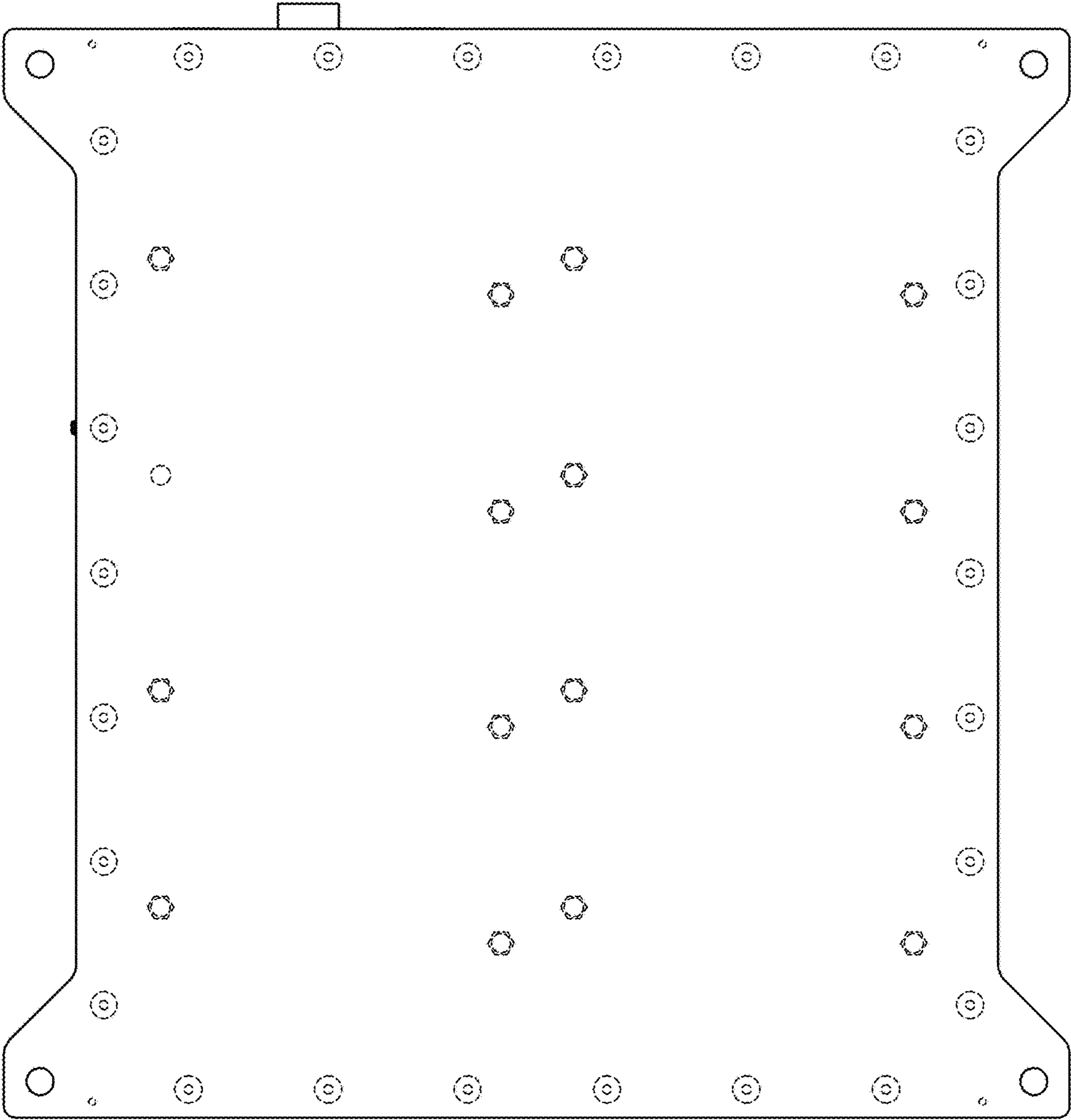


Figure 7

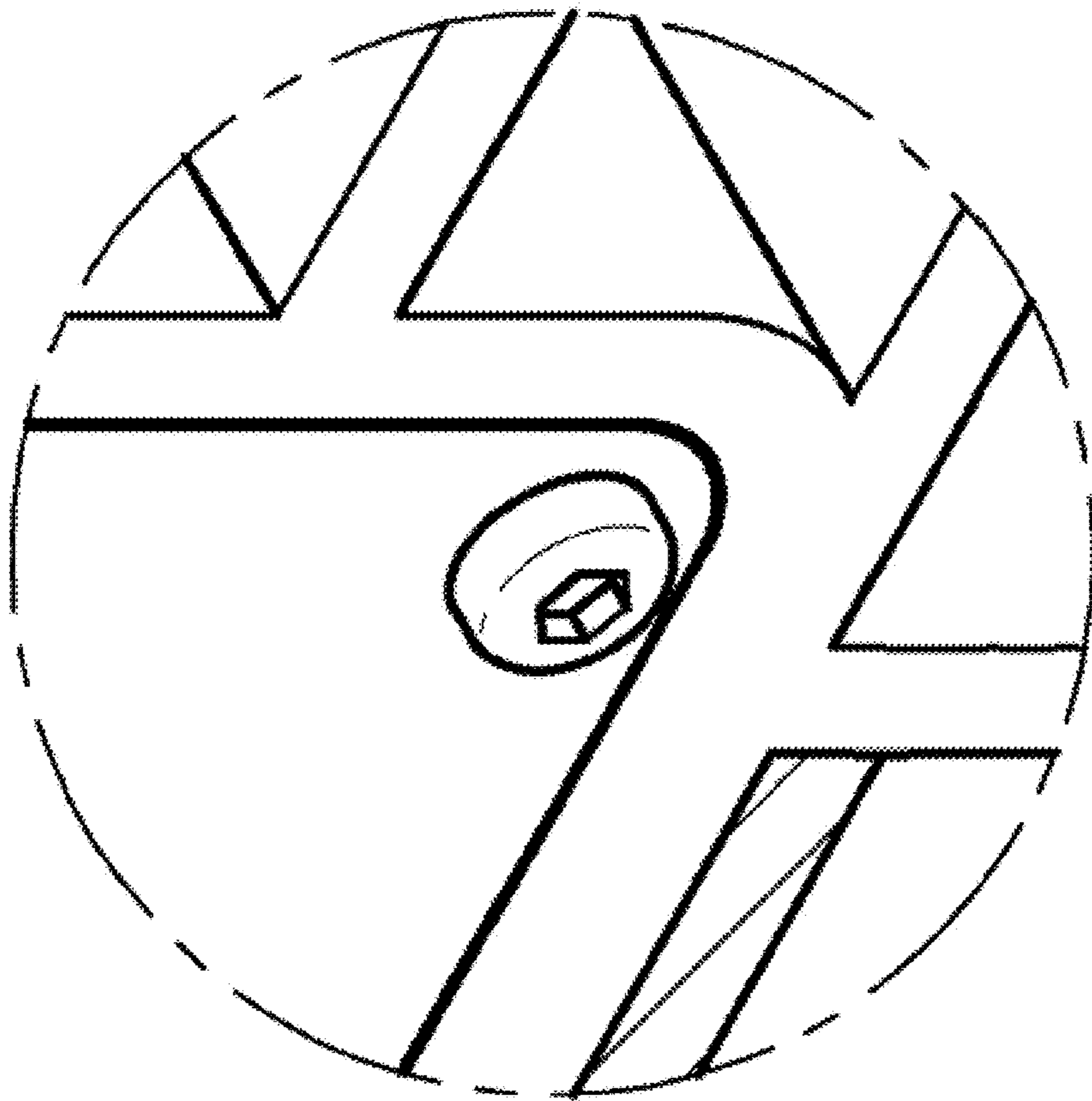


Figure 9

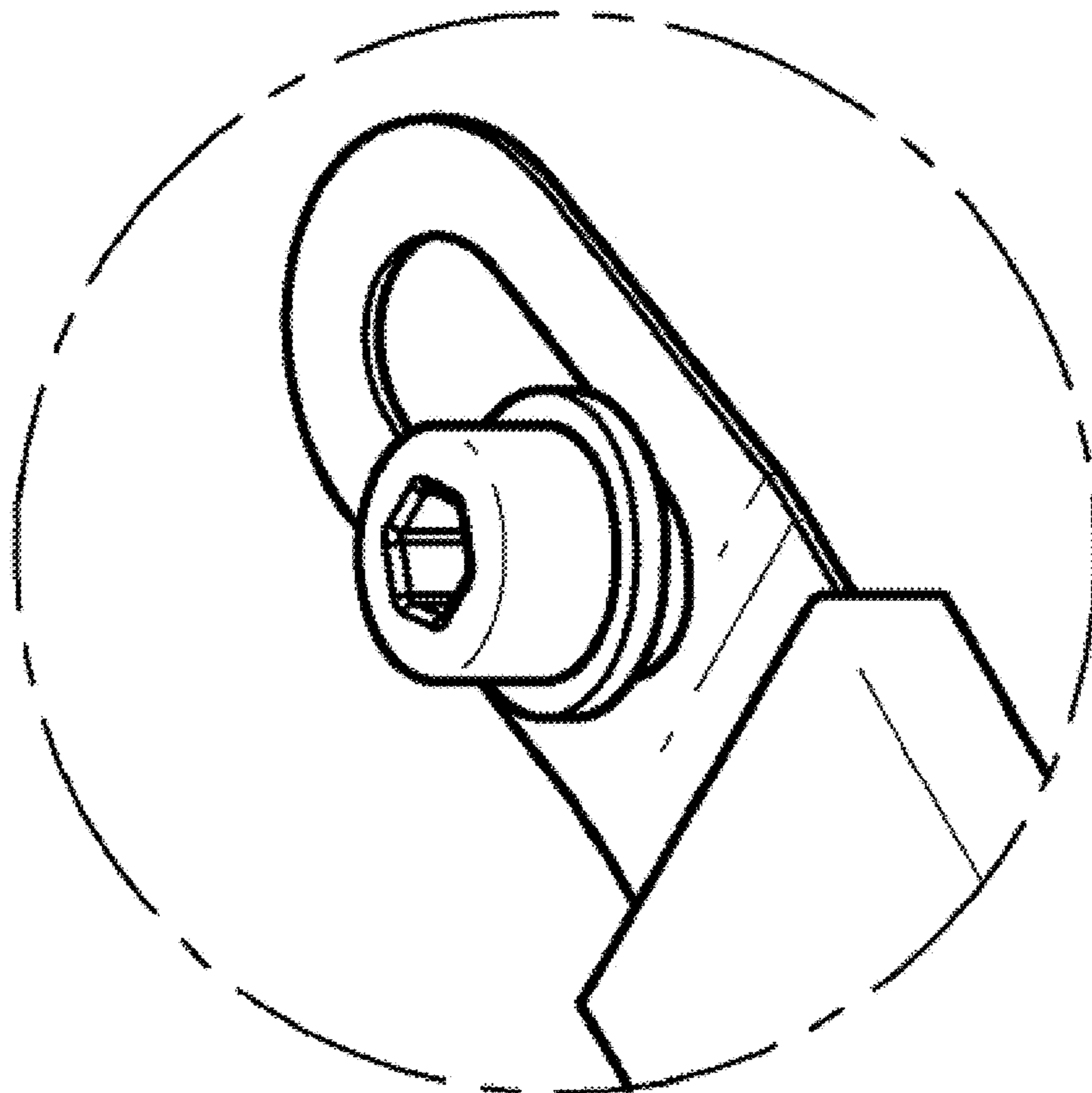


Figure 8

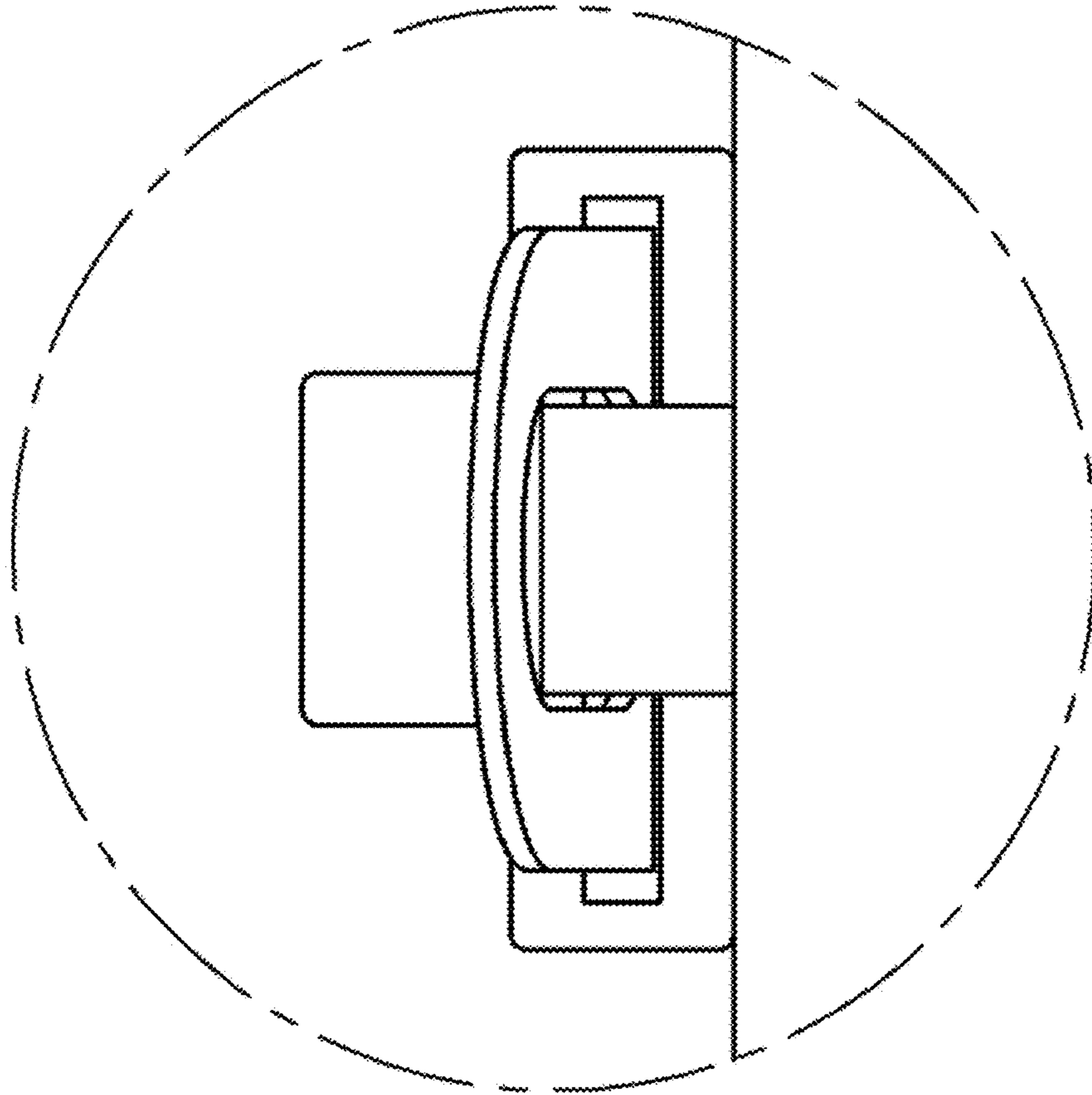


Figure 11

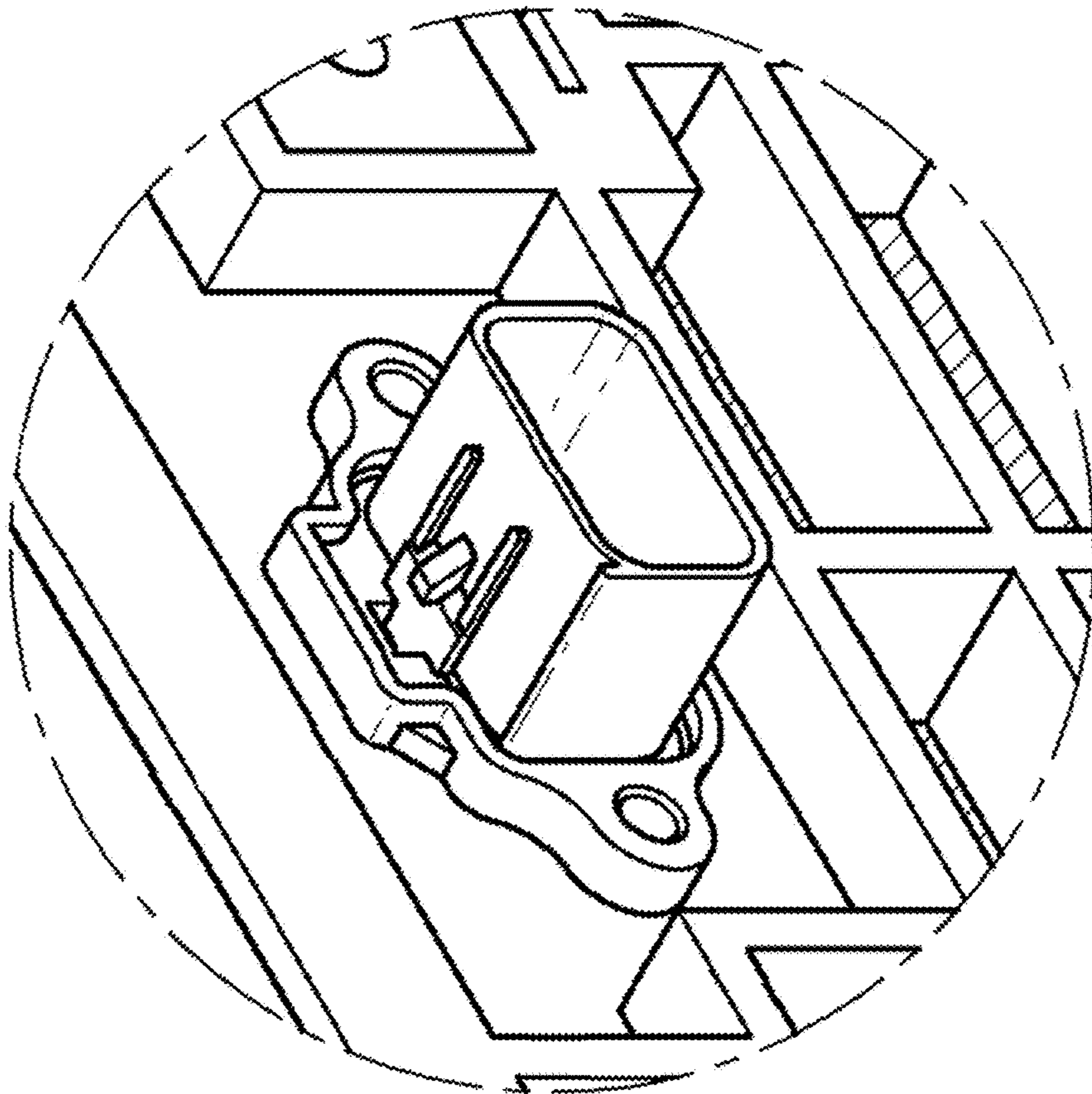


Figure 10

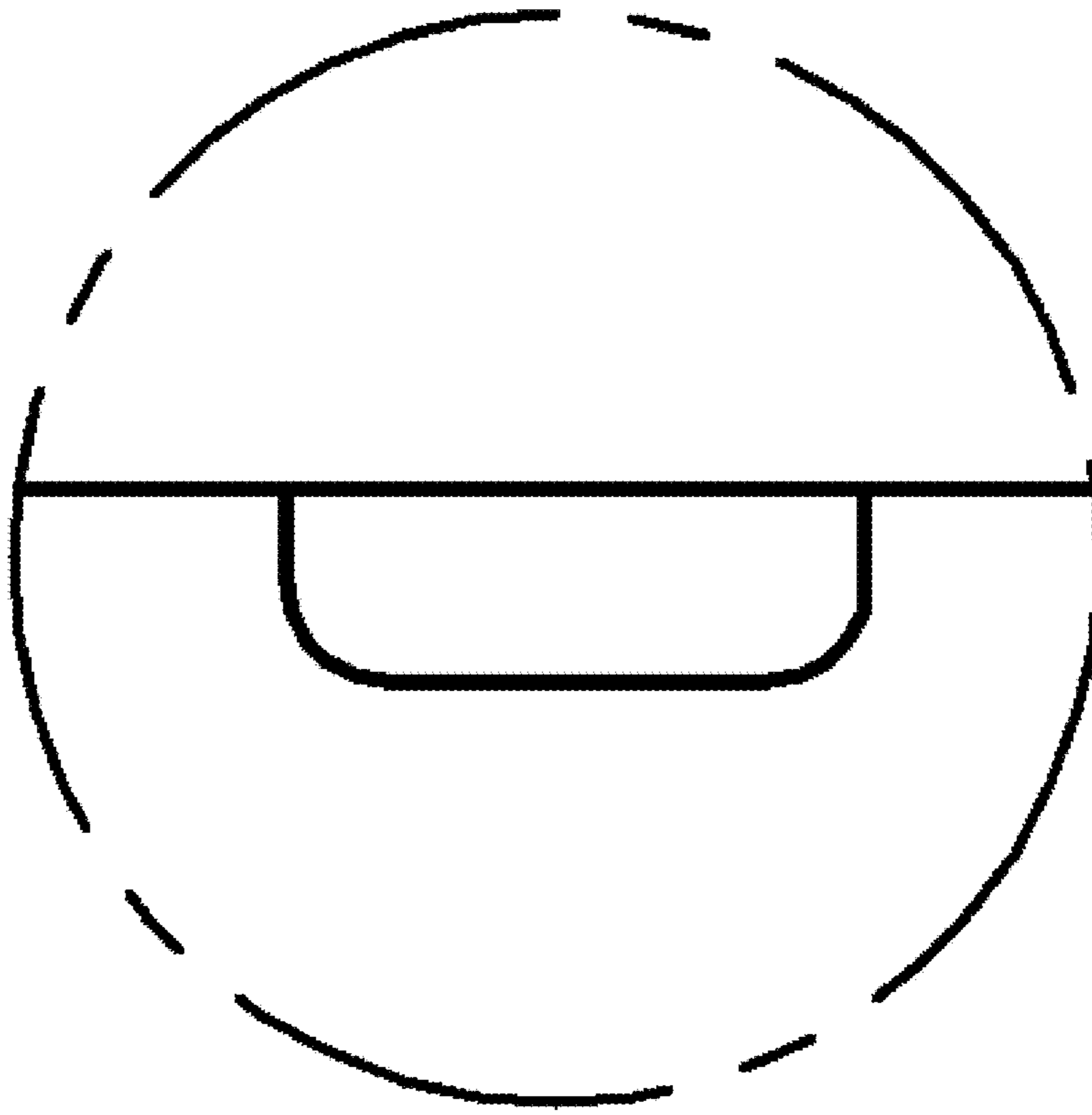


Figure 13

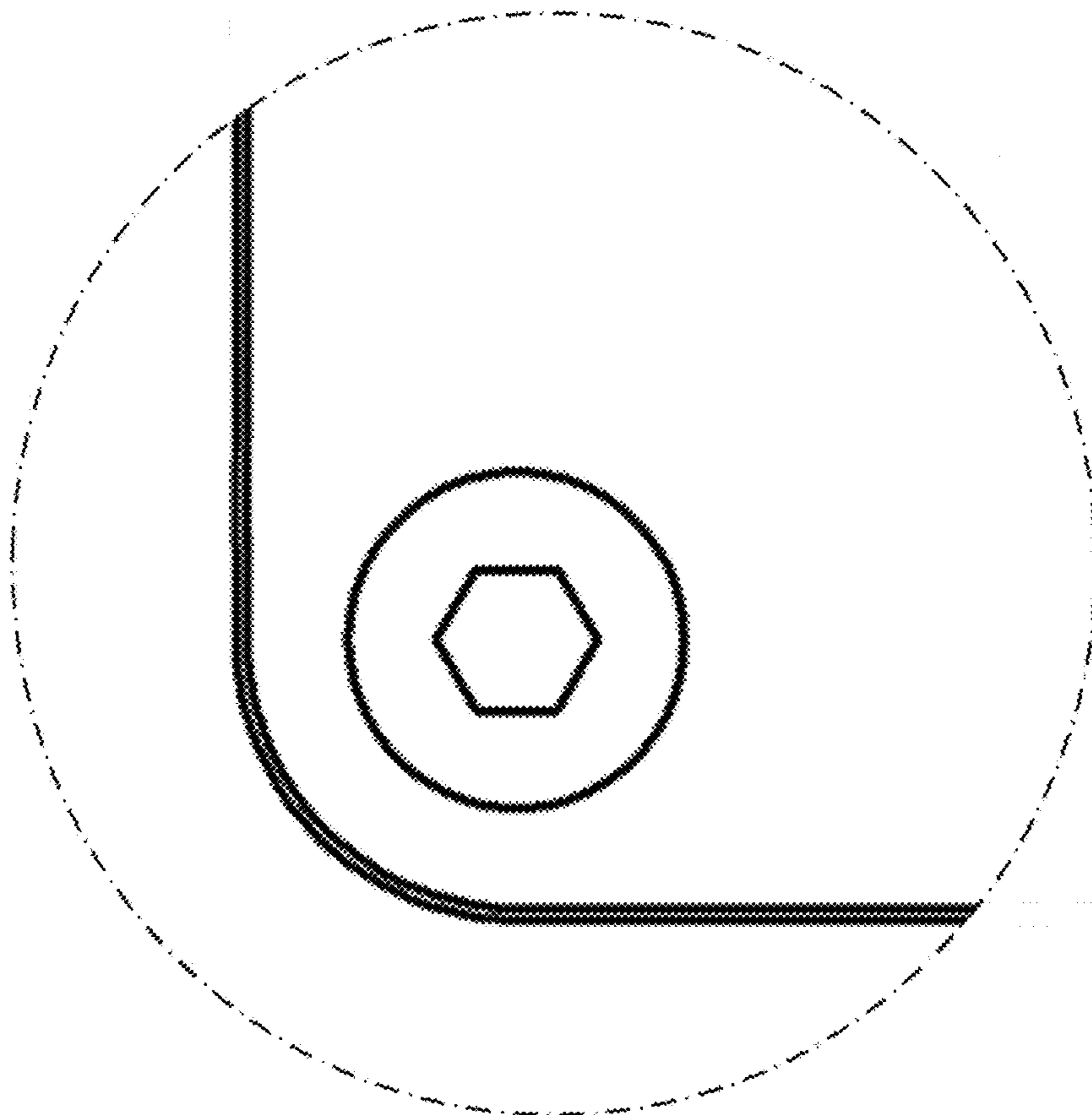


Figure 12

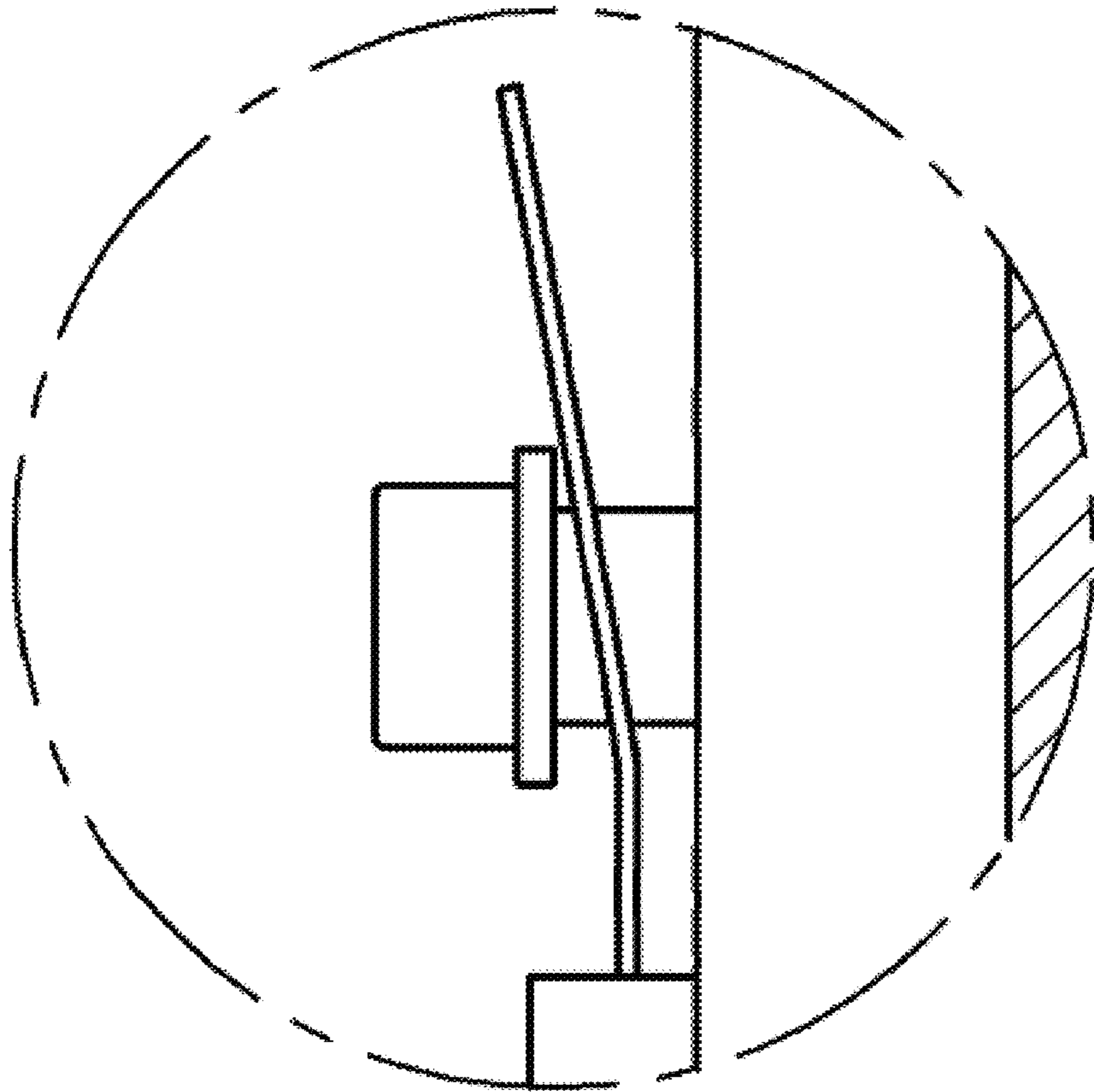


Figure 15

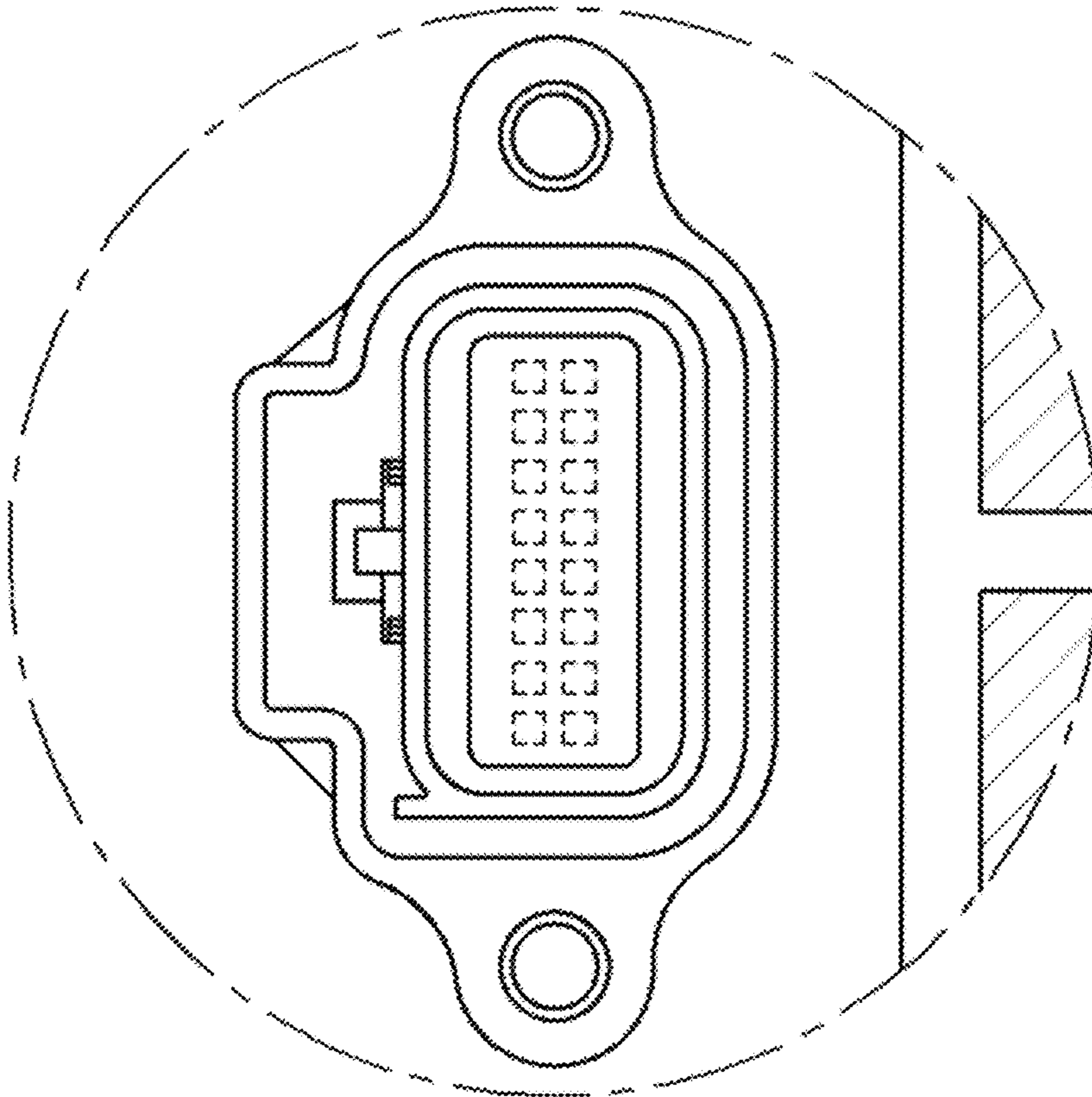


Figure 14

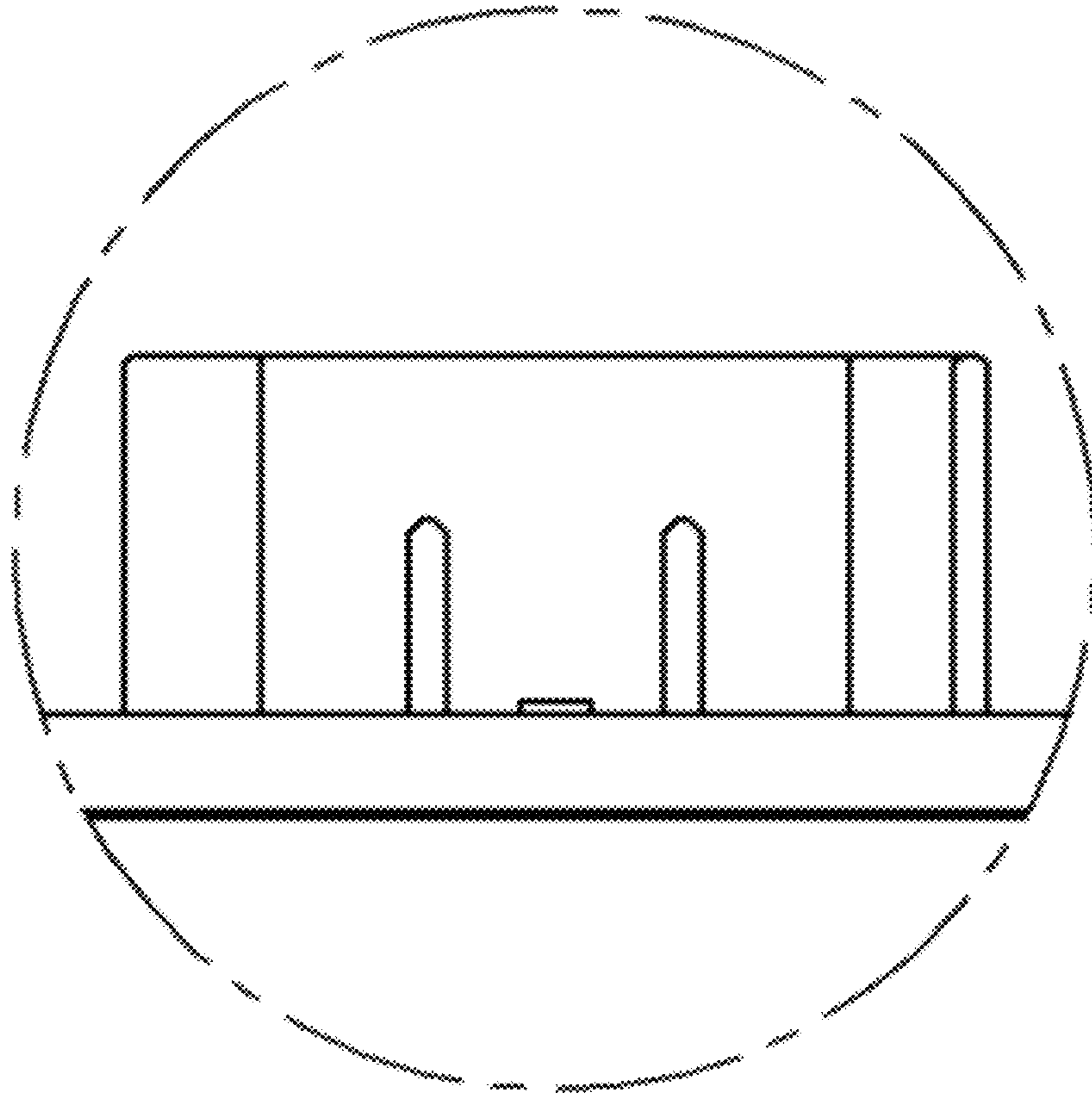


Figure 17

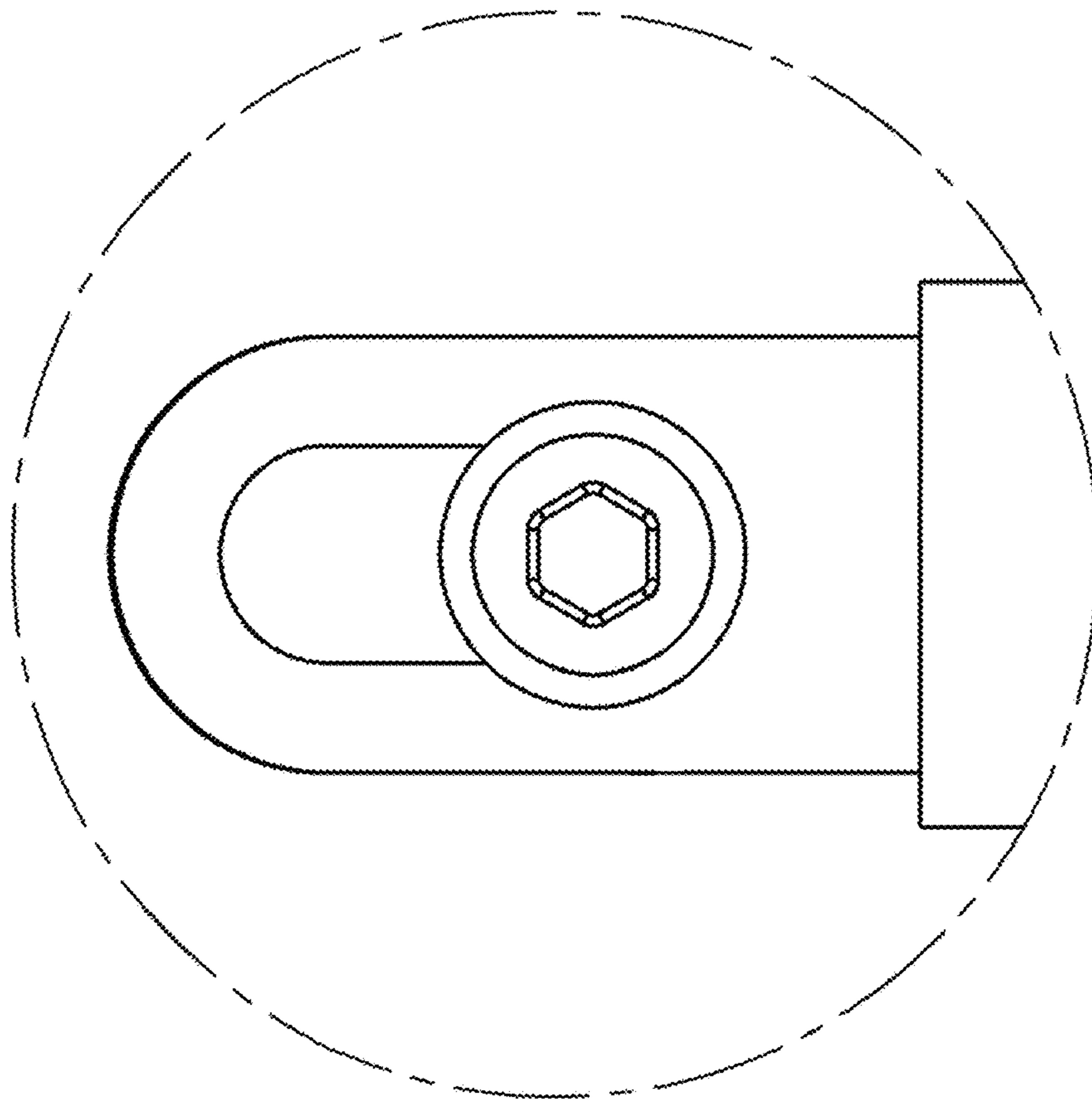


Figure 16