



US00D879020S

(12) **United States Design Patent**
Sato et al.

(10) **Patent No.:** **US D879,020 S**
(45) **Date of Patent:** **** Mar. 24, 2020**

(54) **TIRE**

(71) Applicant: **TOYO TIRE & RUBBER CO., LTD.**,
Itami-shi, Hyogo (JP)

(72) Inventors: **Yoshiki Sato**, Itami (JP); **Jiro Taniguchi**, Itami (JP)

(73) Assignee: **TOYO TIRE & RUBBER CO., LTD.**,
Itami-shi (JP)

(**) Term: **15 Years**

(21) Appl. No.: **29/647,636**

(22) Filed: **May 15, 2018**

(30) **Foreign Application Priority Data**

Nov. 17, 2017 (JP) 2017-025761

(51) **LOC (12) Cl.** **12-15**

(52) **U.S. Cl.**
USPC **D12/579**

(58) **Field of Classification Search**
USPC D12/579, 596, 597, 602, 603
CPC B60C 11/01; B60C 11/0306; B60C 11/11
See application file for complete search history.

(56) **References Cited**

U.S. PATENT DOCUMENTS

D337,977 S 8/1993 Shinohara et al.
D653,195 S * 1/2012 Sareen D12/579
D762,562 S 8/2016 Bonifas

D775,065 S * 12/2016 Hanlon D12/579
D780,097 S * 2/2017 Fujioka D12/574
D806,640 S * 1/2018 Petr D12/602
D816,018 S * 4/2018 Chiang D12/579
D838,662 S * 1/2019 Tikka D12/579
D844,547 S * 4/2019 Sakamoto D12/579
D859,297 S * 9/2019 Liu D12/579

* cited by examiner

Primary Examiner — Robert M. Spear

(74) *Attorney, Agent, or Firm* — Sterne, Kessler,
Goldstein & Fox P.L.L.C.

(57) **CLAIM**

The ornamental design for a tire, as shown and described.

DESCRIPTION

FIG. 1 is a front perspective view of a tire showing the claimed design;

FIG. 2 is a front view thereof, the rear view being the same;

FIG. 3 is a top plan view thereof, the bottom plan view being the same;

FIG. 4 is a right side view thereof, the left side view being the same;

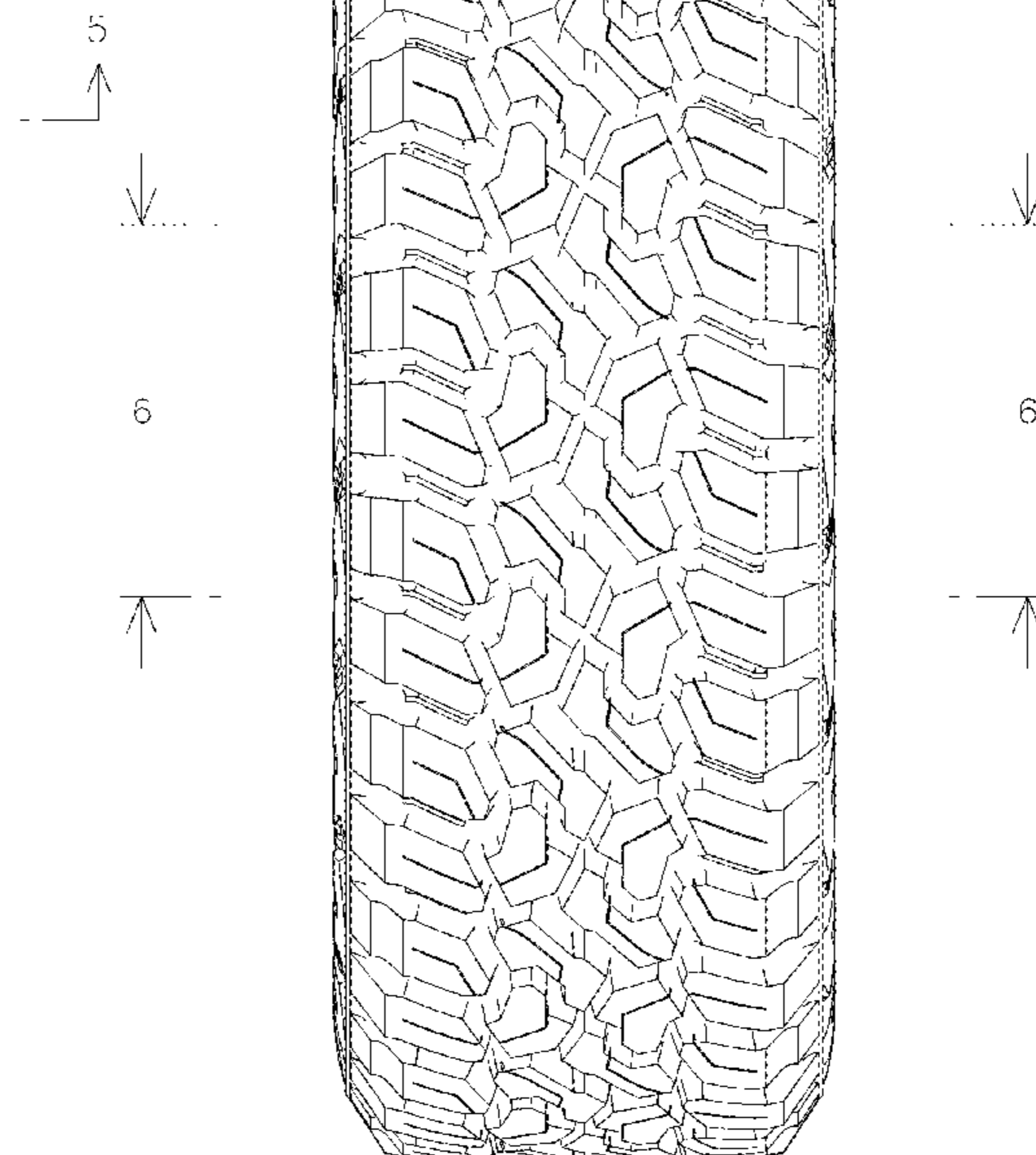
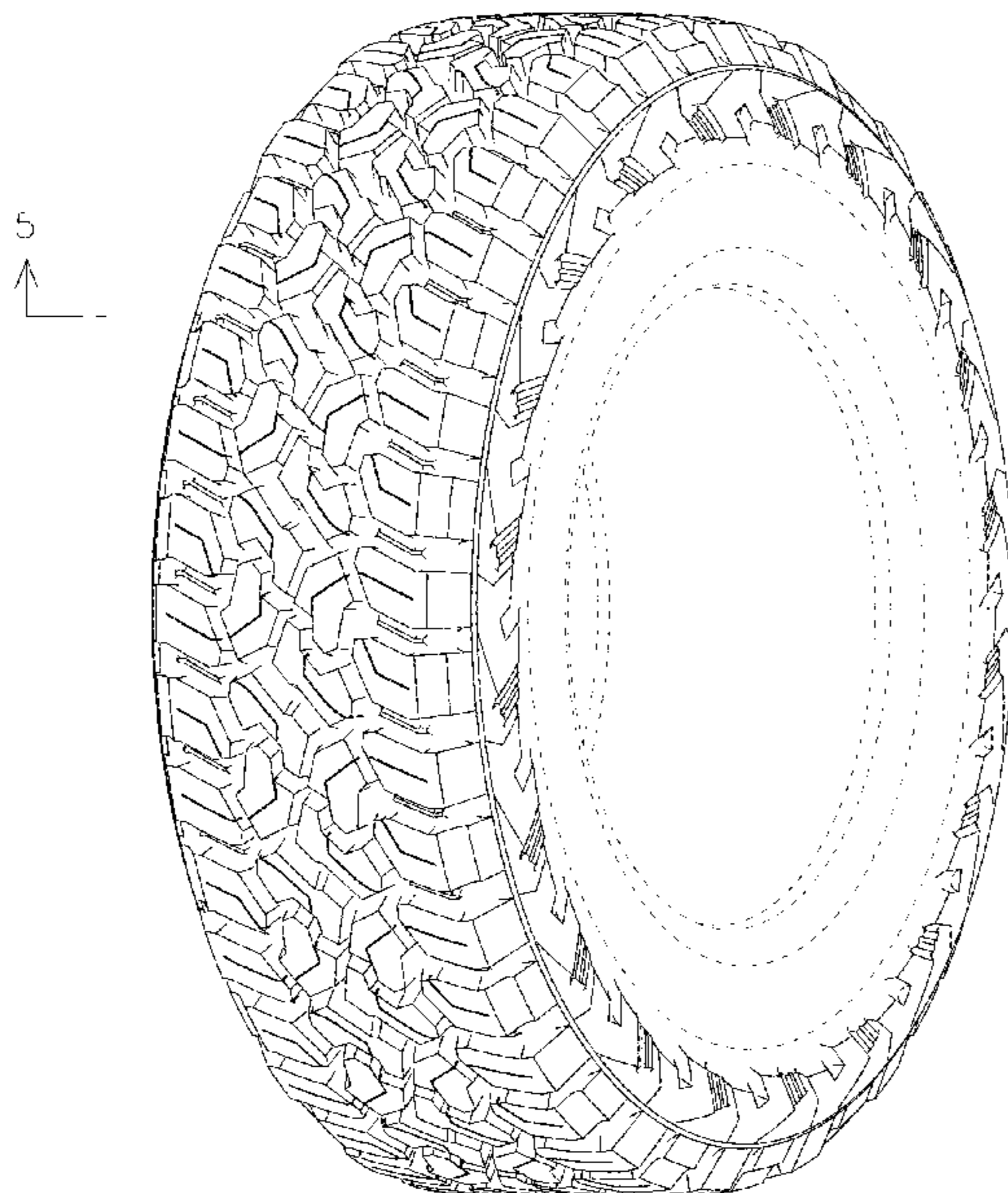
FIG. 5 is an enlarged view taken along line 5-5 in FIG. 1;

FIG. 6 is an enlarged view of the portion 6-6 in FIG. 2; and,

FIG. 7 is a cross-sectional view taken along line 7-7 in FIG. 6.

In the drawings, the broken lines show portions of the tire that form no part of the claimed design. The outermost broken lines of the sidewall form the boundary of the claim and form no part thereof.

1 Claim, 7 Drawing Sheets



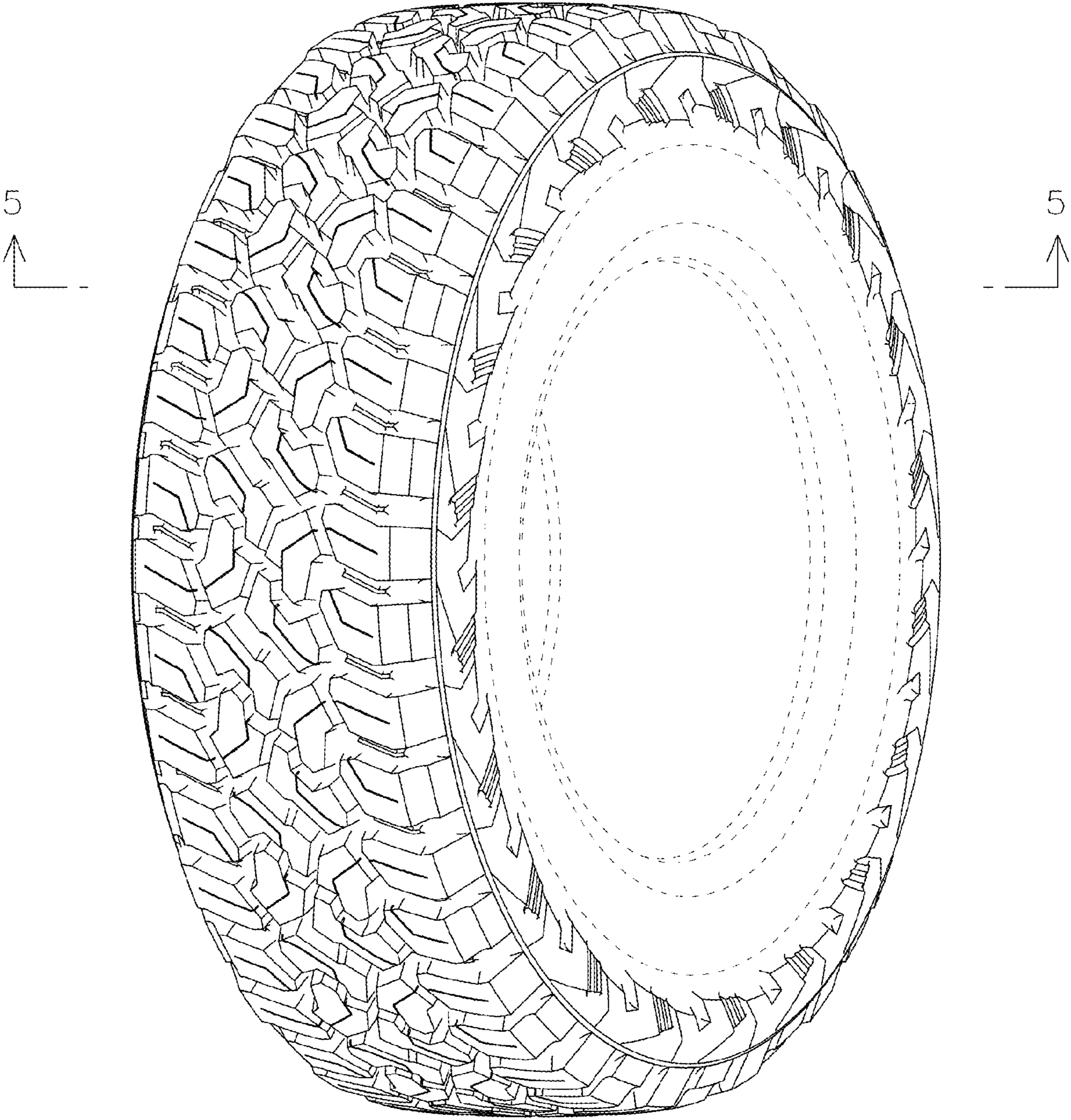


FIG. 1

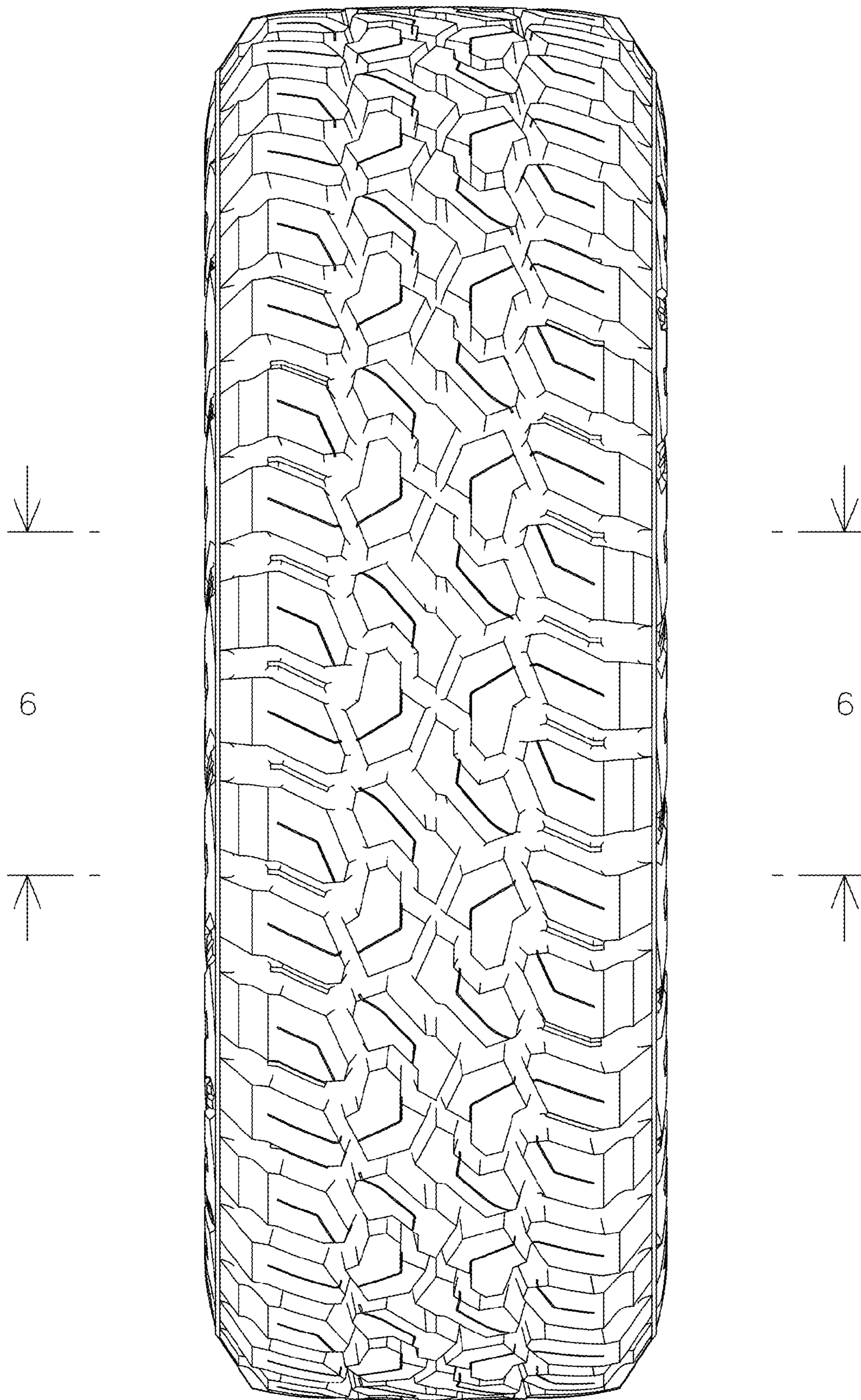


FIG. 2

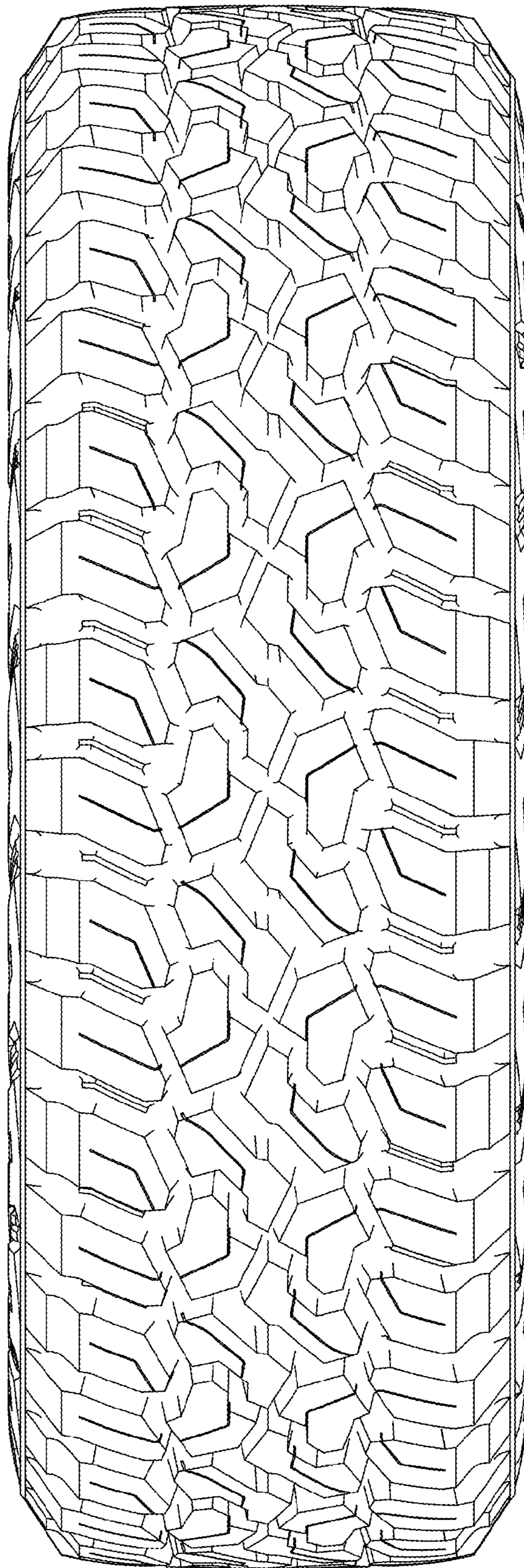


FIG. 3

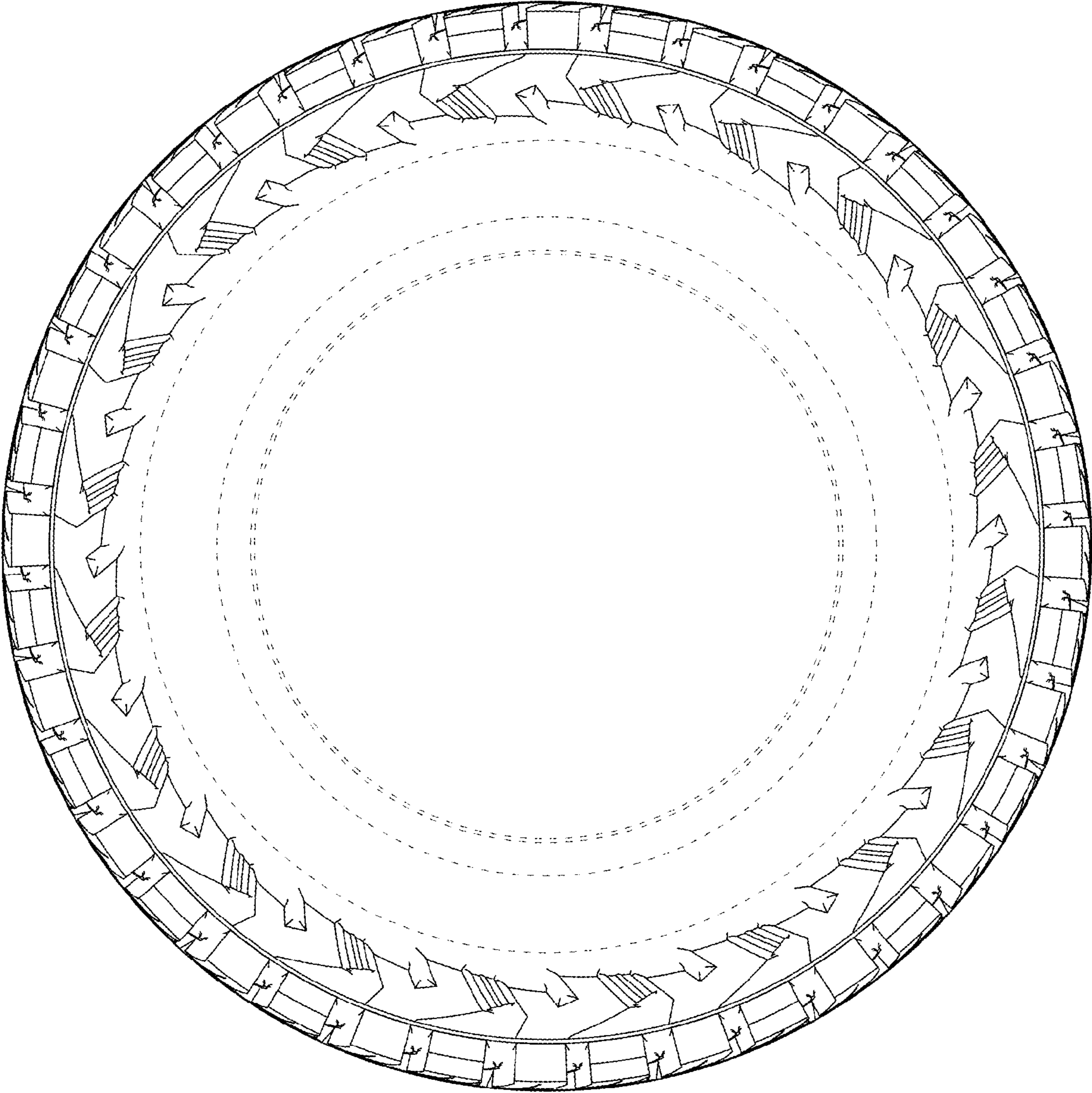


FIG. 4

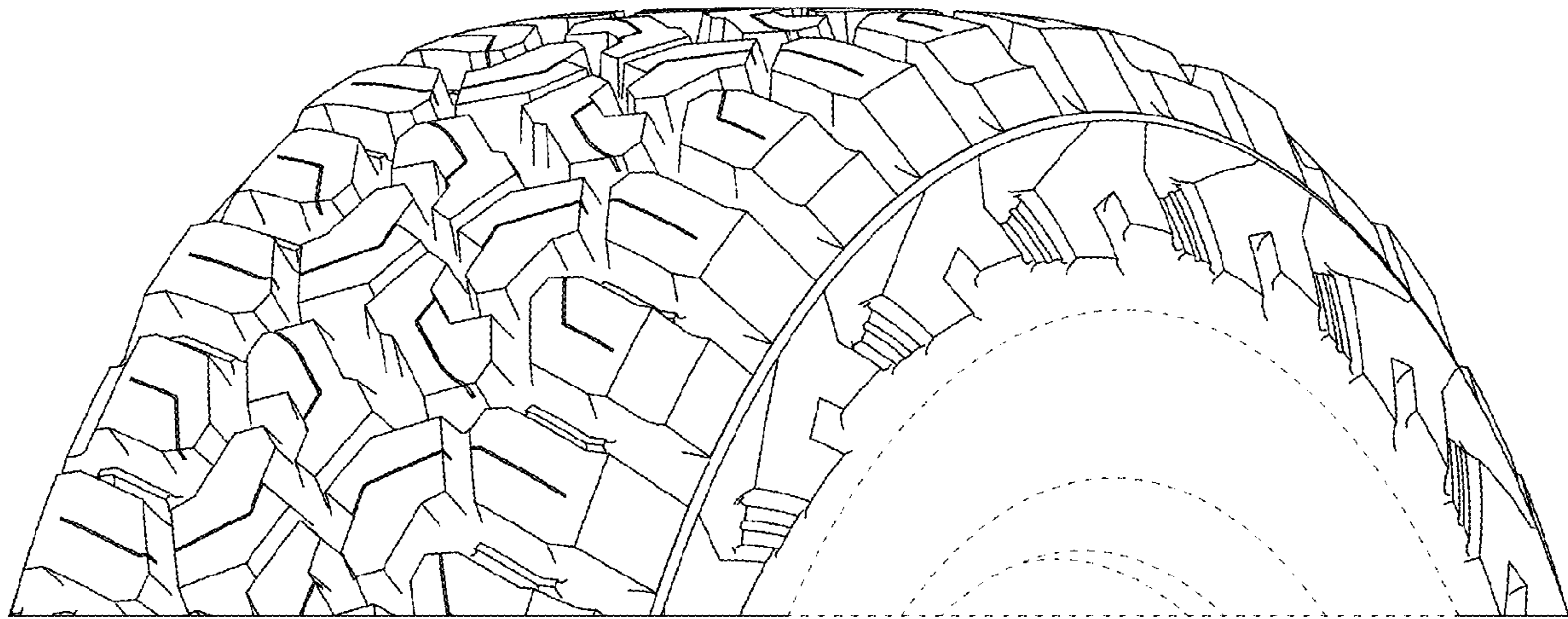


FIG. 5

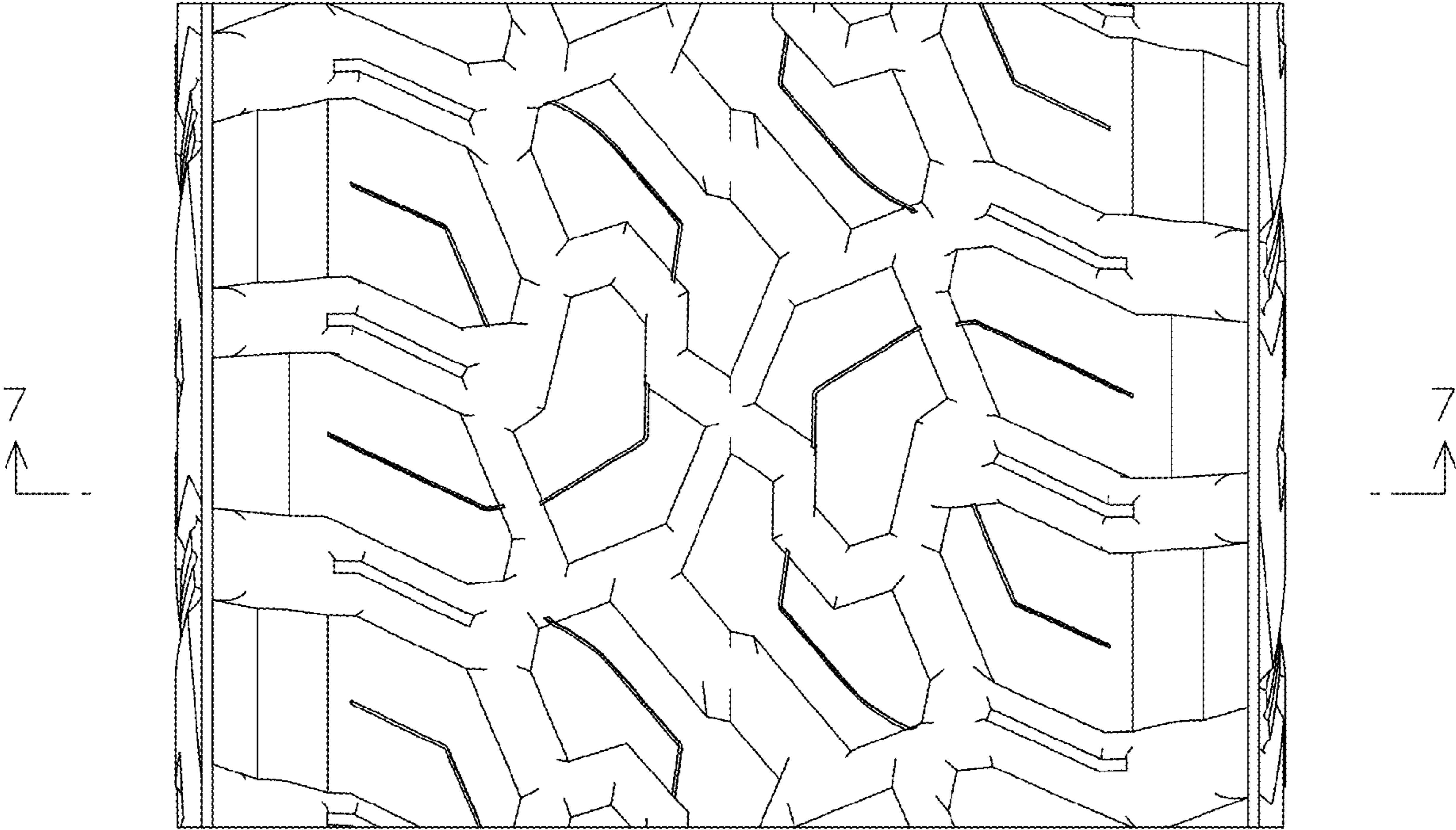


FIG. 6

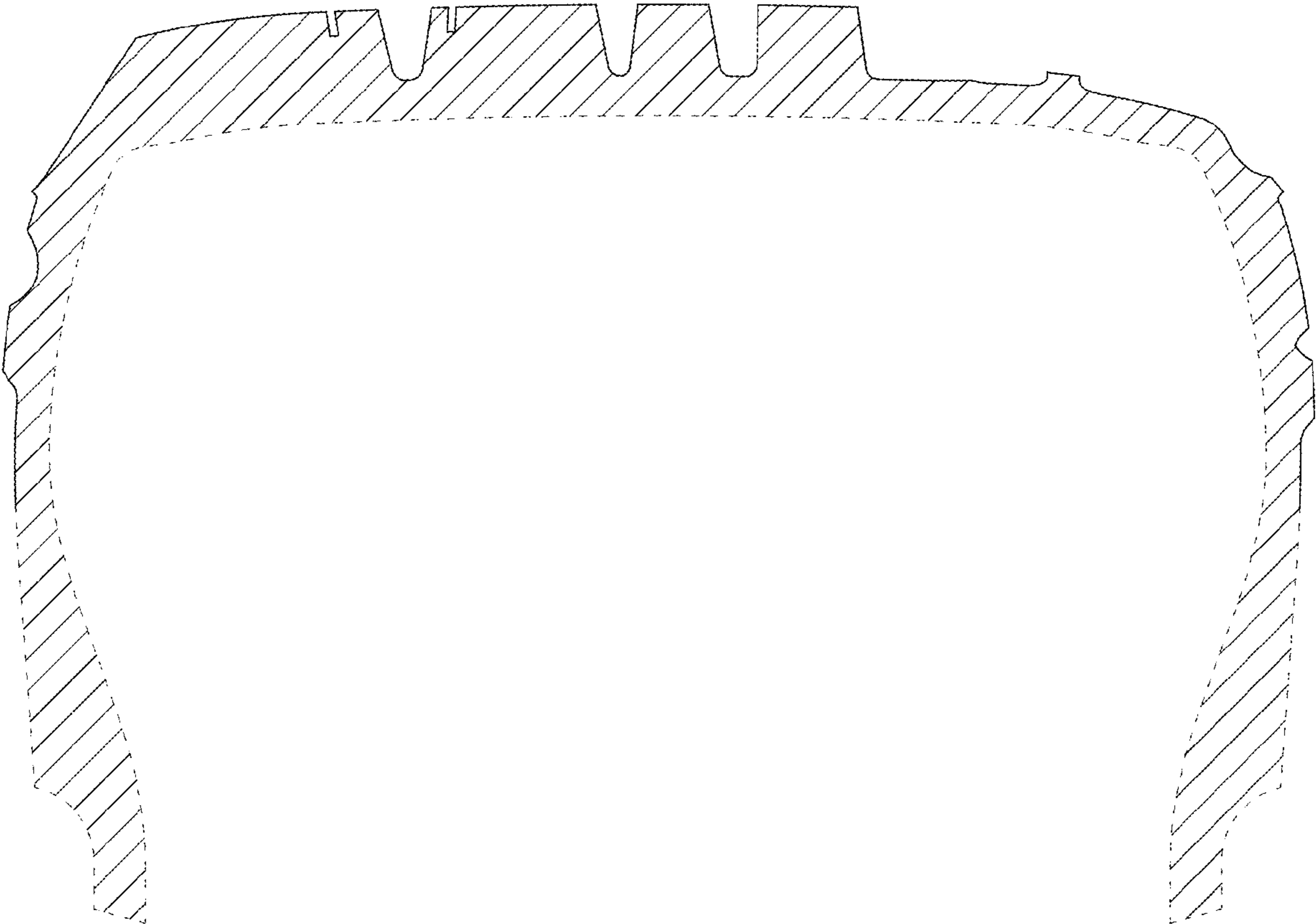


FIG. 7