



US00D879015S

(12) **United States Design Patent** (10) **Patent No.:** **US D879,015 S**  
**Besley** (45) **Date of Patent:** **\*\* Mar. 24, 2020**

(54) **VEHICLE CONSOLE ORGANIZER**  
(71) Applicant: **Matthew Thomas Besley**, Carlsbad, CA (US)  
(72) Inventor: **Matthew Thomas Besley**, Carlsbad, CA (US)

6,422,440 B1 \* 7/2002 Stone ..... B60R 7/043  
224/275  
D474,733 S \* 5/2003 Webb ..... D12/419  
D490,044 S \* 5/2004 Smith ..... D12/419  
D491,880 S \* 6/2004 Guidry ..... D12/425  
D500,982 S \* 1/2005 Smith ..... D12/419  
D507,777 S \* 7/2005 Klopp, III ..... D12/415  
D540,738 S \* 4/2007 Hatch ..... D12/415

(\*\*) Term: **15 Years**

(Continued)

(21) Appl. No.: **29/649,153**

**OTHER PUBLICATIONS**

(22) Filed: **May 26, 2018**

Sunkissed for Toyota 4Runner 2010-2019 Car Center Console Organizer Tray Accessories, Amazon.com, Date First Available: Nov. 20, 2018, [online], [site visited Oct. 12, 2019]. <URL: https://www.amazon.com/SUNKISSED-Toyota-4Runner-2010-2019-Organizer/dp/B07KSBC8GM/ref=pd\_sbs\_2> (Year: 2018).\*

(51) **LOC (12) Cl.** ..... **12-16**

(52) **U.S. Cl.**  
USPC ..... **D12/424**

(Continued)

(58) **Field of Classification Search**  
USPC ..... D12/424, 415, 604, 400, 425, 416-420;  
D3/304, 313, 314, 318-319;  
D7/637-638, 701, 601, 602, 553.2, 550.1;  
D34/28; D8/71; D21/421; D6/512;  
D9/414-433  
CPC ..... A47G 21/14; A45F 2200/05; A45F  
2200/0575; B25H 3/006; B60N 2/46  
See application file for complete search history.

*Primary Examiner* — T Chase Nelson  
*Assistant Examiner* — Jonathan J. Han  
(74) *Attorney, Agent, or Firm* — Elie Gendloff; Gendloff IP

(56) **References Cited**

(57) **CLAIM**

The ornamental design for a vehicle console organizer, substantially as shown and described.

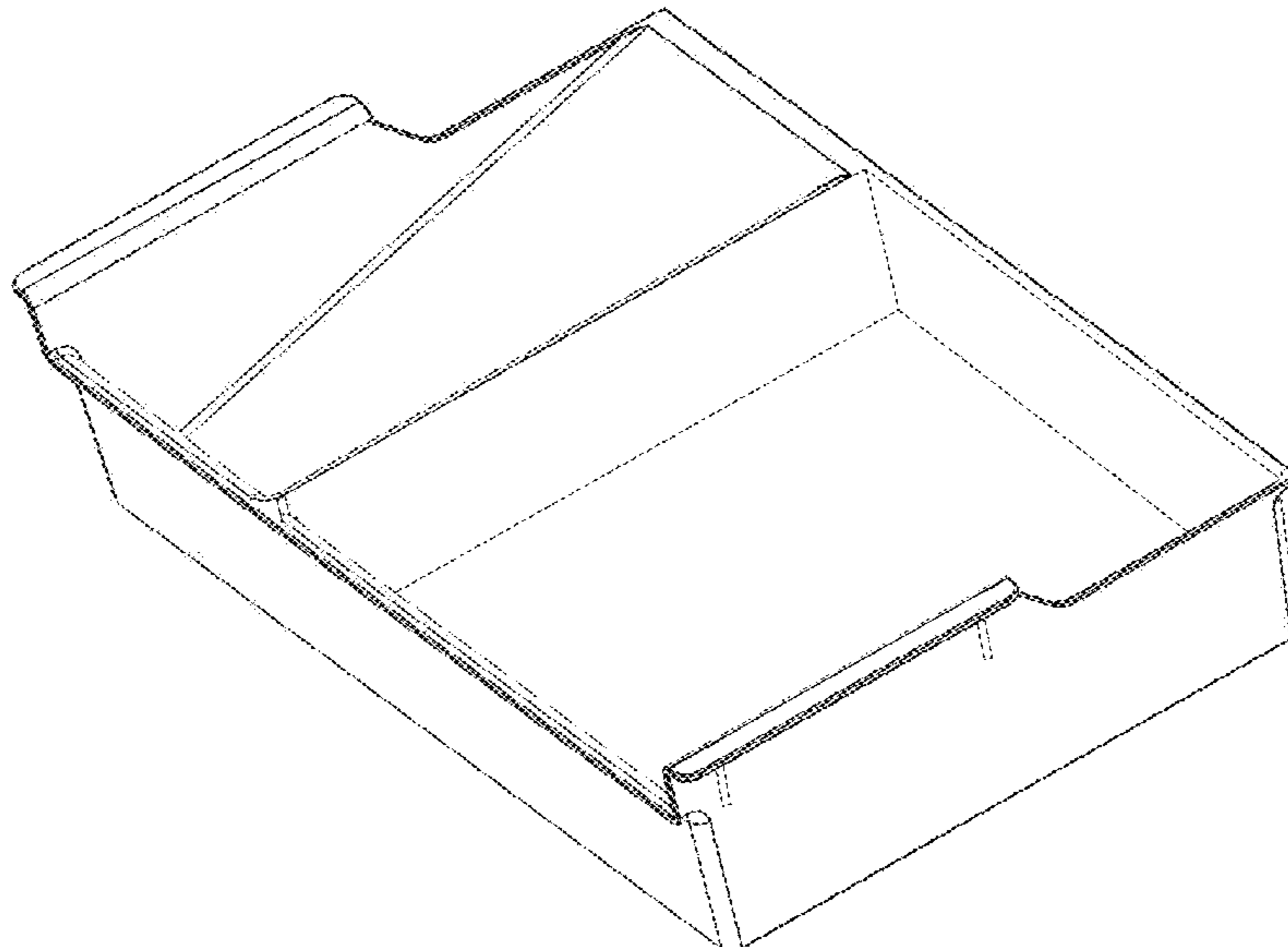
**U.S. PATENT DOCUMENTS**

**DESCRIPTION**

3,909,092 A \* 9/1975 Kiernan ..... B60R 7/043  
312/235.8  
D368,066 S \* 3/1996 Boles ..... D12/425  
D371,109 S \* 6/1996 Schlattl ..... D12/425  
D373,754 S \* 9/1996 Pinterpe ..... D12/424  
D374,423 S \* 10/1996 Downey, II ..... D12/423  
D378,950 S \* 4/1997 McKee ..... D12/218  
D391,223 S \* 2/1998 Lucas, Jr. .... D12/424  
D428,701 S \* 8/2000 Lamo, Jr. .... D3/304  
D434,721 S \* 12/2000 Lieberman ..... D12/419  
D453,995 S \* 3/2002 Slight ..... D3/304  
6,386,412 B1 \* 5/2002 Konechne ..... B60R 7/04  
224/275  
D460,635 S \* 7/2002 Lieberman ..... D12/419

FIG. 1 is a perspective view of a vehicle console organizer showing my new design;  
FIG. 2 is a right-side view thereof, the left side being a mirror image;  
FIG. 3 is a top view thereof;  
FIG. 4 is a front view thereof; and,  
FIG. 5 is a back view thereof.  
The broken lines shown in the figures depict portions of the vehicle console organizer that form no part of the claimed design.

**1 Claim, 3 Drawing Sheets**



(56)

**References Cited**

## U.S. PATENT DOCUMENTS

D548,672 S \* 8/2007 Hatch ..... D12/423  
 D582,190 S \* 12/2008 Valiulis ..... D6/567  
 D627,291 S \* 11/2010 Lindsay, Jr. .... D12/416  
 D651,966 S \* 1/2012 Hwang ..... D12/419  
 D661,489 S \* 6/2012 Kraemer ..... D3/313  
 D690,514 S \* 10/2013 Shamp ..... D3/304  
 D695,796 S \* 12/2013 Lee ..... D15/89  
 D724,118 S \* 3/2015 Kim ..... D15/89  
 D770,270 S \* 11/2016 McGarry ..... D9/423  
 D795,789 S \* 8/2017 Ehtesham ..... D12/425  
 D802,525 S \* 11/2017 Mohr ..... D8/71  
 D812,649 S \* 3/2018 Onrat ..... D15/89  
 D823,230 S \* 7/2018 Galib ..... D12/415  
 D826,714 S \* 8/2018 Pipes ..... D9/456  
 10,093,241 B2 \* 10/2018 Hughes ..... B60R 7/08  
 10,421,407 B2 \* 9/2019 Hughes ..... B60R 7/08

## OTHER PUBLICATIONS

Seven Sparta Center Console Organizer for Chevy/Chevrolet Tahoe Suburban Silverado GMC Sierra Yukon 2015-2018, Amazon.com, Date First Available: Sep. 6, 2018, [online], [site visited Oct. 12, 2019]. <URL: <https://www.amazon.com/Seven-Sparta-Organizer-Chevrolet-Silverado/dp/B07H4K>> (Year: 2018).\*

MX Auto Accessories—Center Console Organizer Compatible with the Toyota Tundra & Sequoia (2007-2019), Amazon.com, Date First Available: Oct. 20, 2017, [online], [site visited Oct. 12, 2019]. <URL: <https://www.amazon.com/MX-Auto-Accessories-Organizer-Compatible/dp/B076MGDCVV>> (Year: 2017).\*

2019 Suburban Front Floor Console Organizer, ShopChevyParts.com, [online], [site visited Oct. 12, 2019]. <URL: <https://www.shopchevyparts.com/cargo-management/2019-suburban-front-floor-console-organizer/22817343-p-92301743.html>> (Year: 2019).\*

\* cited by examiner

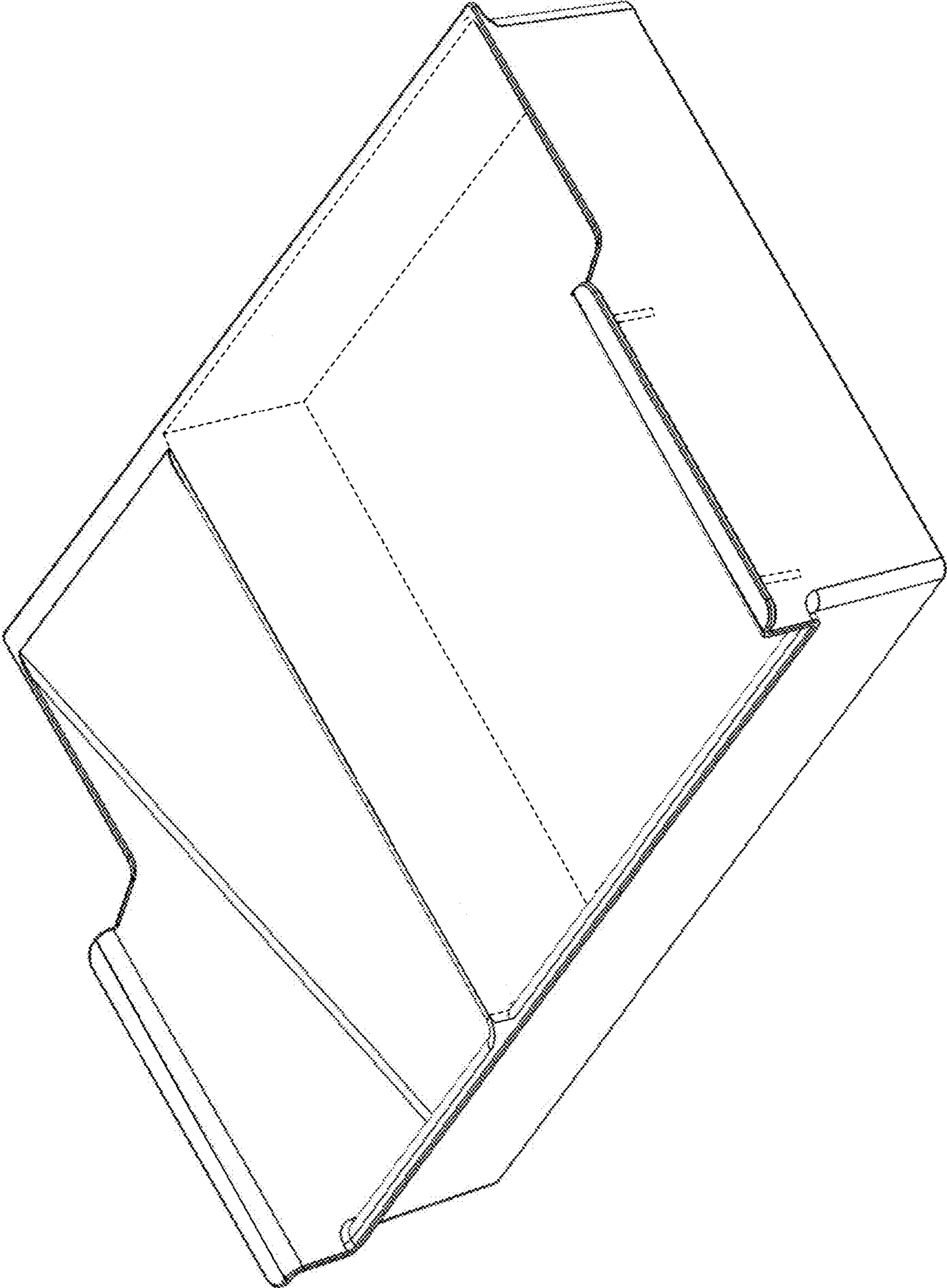


FIG. 1

FIG. 2

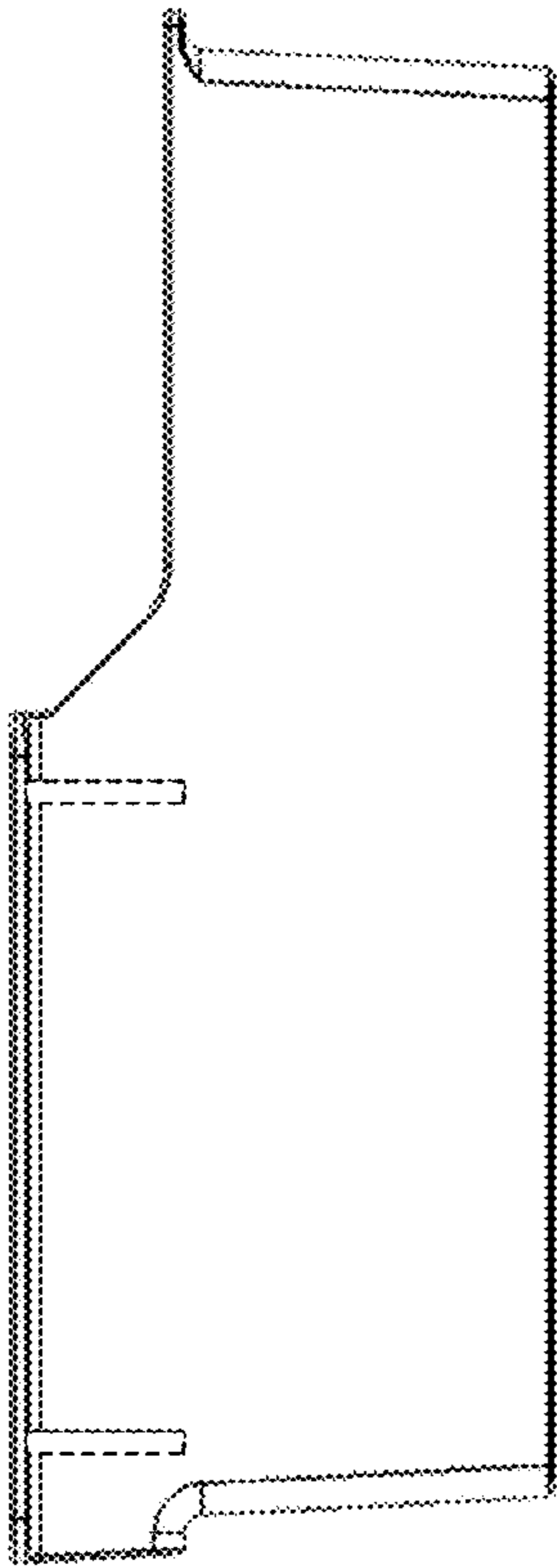


FIG. 3

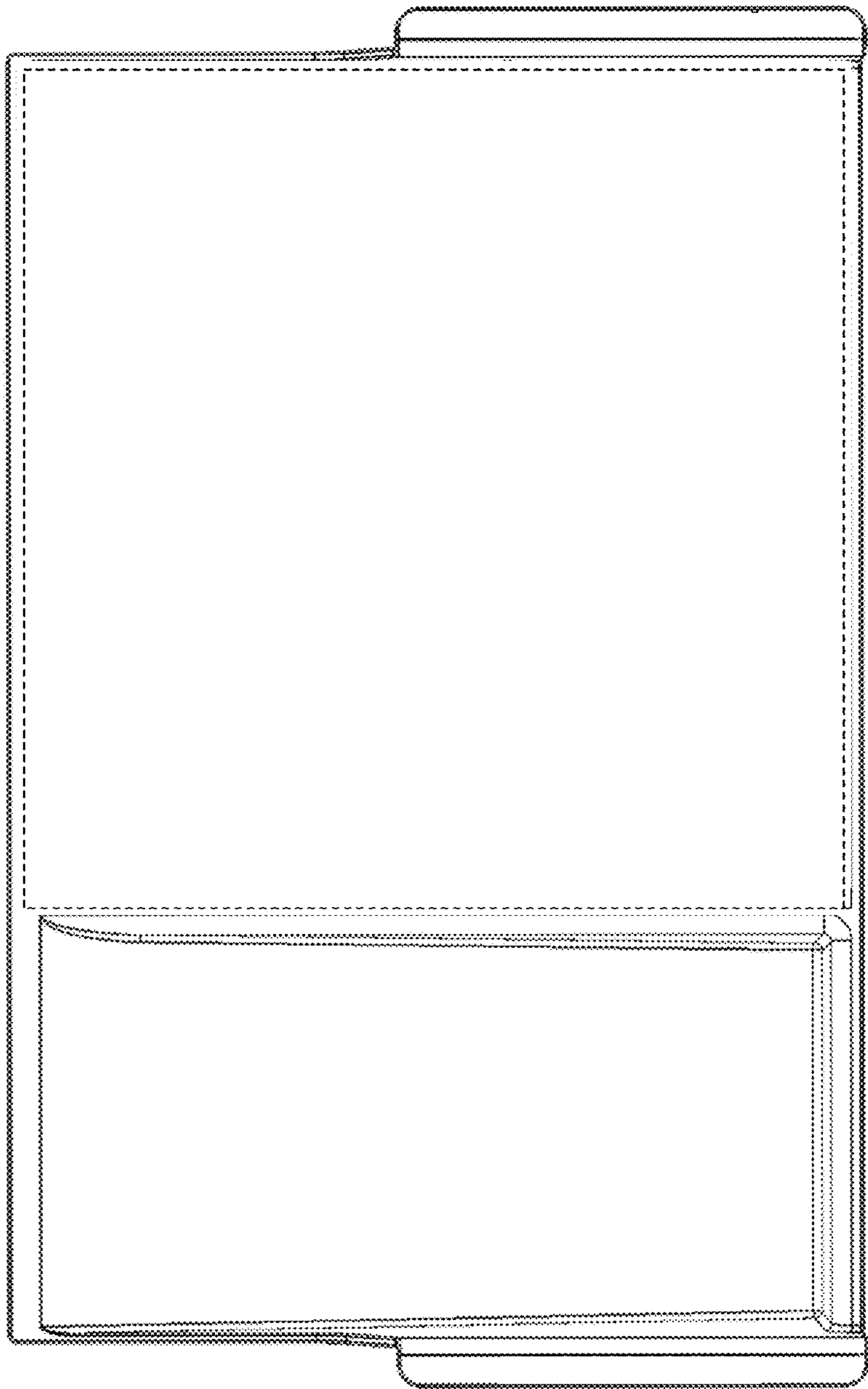


FIG. 4

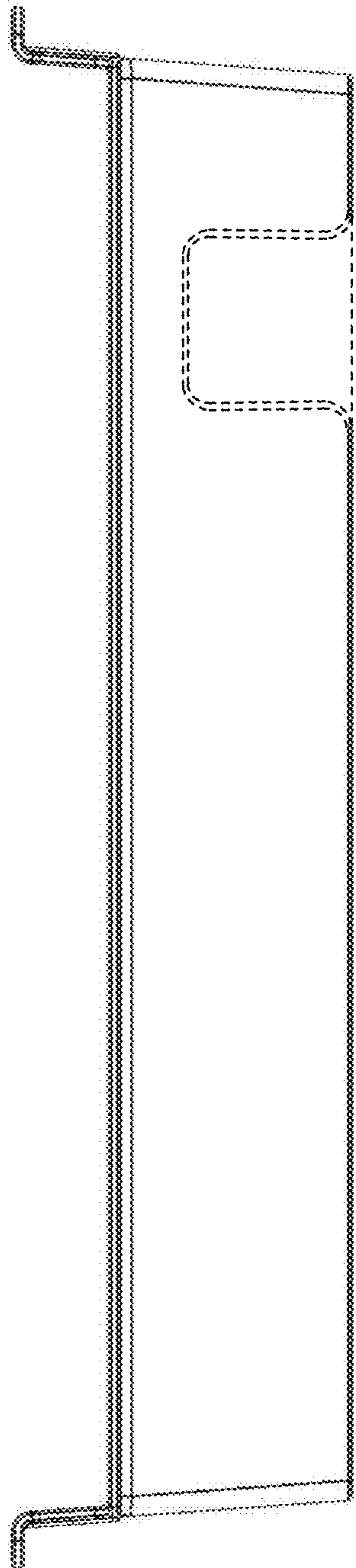


FIG. 5

