



US00D879012S

(12) **United States Design Patent** (10) **Patent No.:** **US D879,012 S**
Guo (45) **Date of Patent:** **** Mar. 24, 2020**

(54) **VEHICLE ROOF RACK CLAMPER**
(71) Applicant: **Jingchun Guo**, Novi, MI (US)
(72) Inventor: **Jingchun Guo**, Novi, MI (US)
(**) Term: **15 Years**

D695,206 S 12/2013 Eriksson
D709,818 S 7/2014 Zhang
D792,833 S 7/2017 Chan
D823,229 S 7/2018 Chiang
D831,562 S * 10/2018 Salsi D12/412

(21) Appl. No.: **29/650,630**
(22) Filed: **Jun. 8, 2018**
(51) **LOC (12) Cl.** **12-16**
(52) **U.S. Cl.**
USPC **D12/412**
(58) **Field of Classification Search**
USPC D12/414, 406–413, 414.1, 96–100, 561;
D32/35, 58; D6/552; D3/304–306;
224/309–310, 323–329, 400, 331, 42.1;
280/760–762, 769, 727, 848; 296/37.1,
296/10, 36, 190.08, 190.01, 190.02,
296/100.01; 410/104–105, 107, 111
CPC . B60R 2011/0042; B60R 11/06; B60R 11/00;
B60R 9/048; B60R 9/045; B60R 9/00;
B60R 9/058; B60R 9/12; B60R 9/02;
B60R 9/08; B60R 9/042; B60R 9/0423;
B60R 9/0426; B60R 9/05; B60R 9/052;
B60R 9/04; B60R 9/055; B60R 9/065;
B60R 7/04; B60R 7/08
See application file for complete search history.

OTHER PUBLICATIONS

US Trademark Registration No. 4484888; Mark—Brightlines Filing date: Jul. 11, 2013 Registration date: Feb. 18, 2014.
US Trademark Registration No. 4673992; Logo Mark—Brightlines Filing date: Nov. 27, 2013 Registration date: Jan. 20, 2015.

(Continued)

Primary Examiner — Abraham Bahta
(74) *Attorney, Agent, or Firm* — LegalForce RAPC Worldwide

(57) **CLAIM**

The ornamental design for a vehicle roof rack clamper, as shown and described.

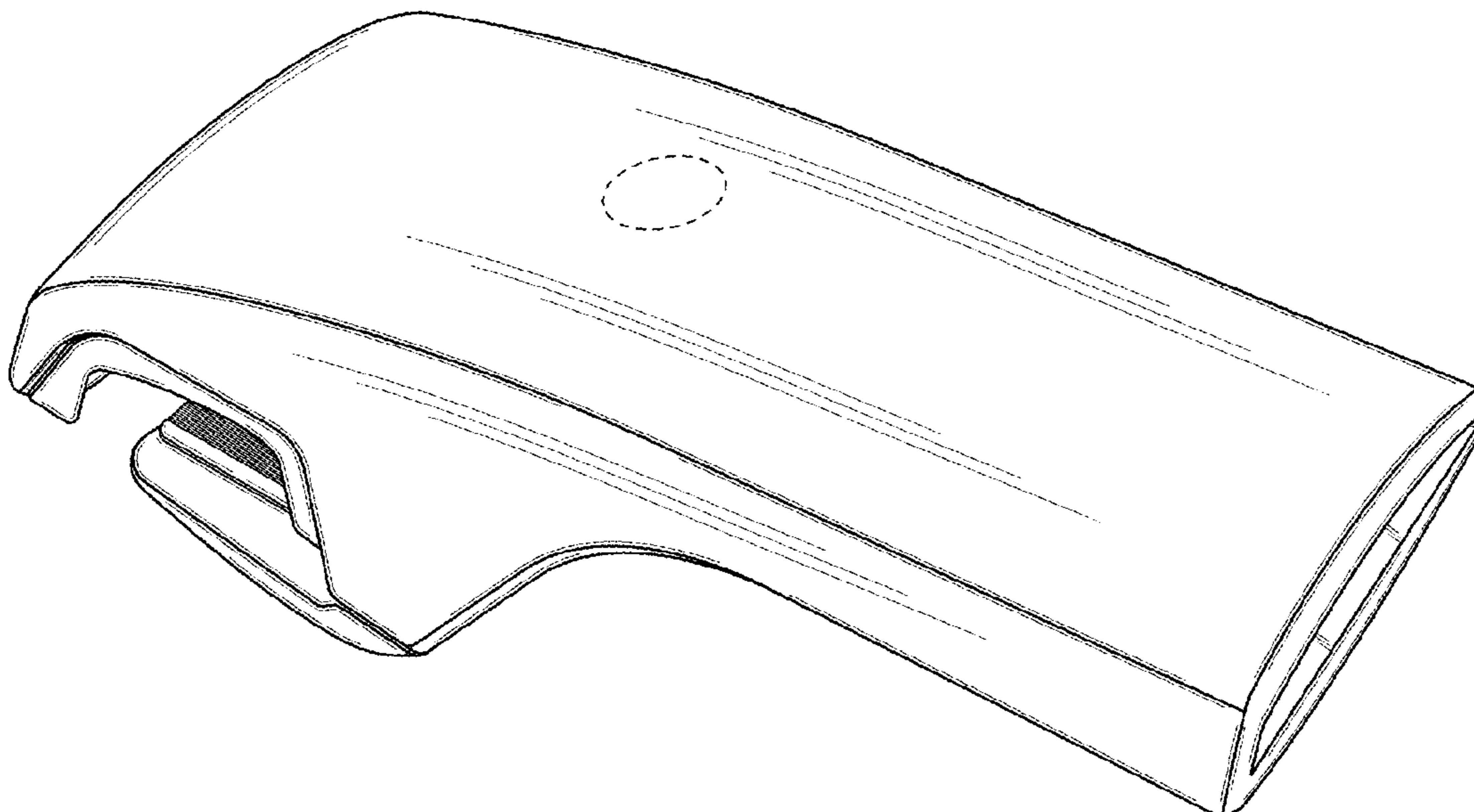
DESCRIPTION

FIG. 1 is a rear-top left side perspective view of the vehicle roof rack clamper, showing my new design wherein the rear-top right side perspective views is a mirror image thereof;
FIG. 2 is a front elevation view thereof;
FIG. 3 is a left side perspective view thereof;
FIG. 4 is a top plan view thereof;
FIG. 5 is a left-bottom plan view thereof;
FIG. 6 is a right-bottom plan view thereof;
FIG. 7 is a right-side bottom perspective view thereof; and,
FIG. 8 is a right-side bottom perspective view thereof.
The broken line showing of portions of the vehicle roof rack clamper is included for the purpose of illustrating environmental structure and forms no part of the claimed design.

(56) **References Cited**
U.S. PATENT DOCUMENTS

D294,137 S 2/1988 Robson
D340,690 S 10/1993 Arvidsson
D457,123 S 5/2002 Sin
D497,589 S * 10/2004 Elwell D12/414
D499,372 S * 12/2004 Andersson D12/414
D577,327 S 9/2008 Jung et al.
D627,704 S 11/2010 Bucher et al.
D694,170 S 11/2013 Eriksson

1 Claim, 8 Drawing Sheets



(56)

References Cited

OTHER PUBLICATIONS

“Brightlines® aero roof bars”, by Auto Sports Group, Published Online on [Mar. 20, 2018] <https://www.asgautosports.com/store/ProdImages/whats%20included%2081207-1.jpg>.

“Brightlines®cross bars”, by Auto Sports Group, Found Online on [Oct. 9, 2018]. <https://www.asgautosports.com/store/ProdImages/F185070986.jpg>.

“Forester Cross Bars”, by Auto Sports Group, Found Online on [Oct. 9, 2018] <https://www.asgautosports.com/store/ProdImages/whats%20included%2081120.jpg>.

“Thule roof bars package”, by Thule, Found Online on [Oct. 9, 2018] <https://www.roofbox.co.uk/gal/bar/Thule-WingBar-Edge-TU959xxx-01Z.jpg>.

“Car Roof Rack Bars”, by thuleroofrack, Posted Online on [Jan. 27, 2018] <http://thuleroofrack.club/wp-content/uploads/2017/12/car-roof-rack-bars-.jpg>.

“Lockable Aluminium Roof Rack Rail Bars”, by M-Way, Found Online on [Oct. 9, 2018] [https://www.picclicking.com/00/s/MTlwMFgxNjAw/z/90sAAOSwJb9Wszjq/\\$/M-Way-Lockable-Aluminium-Roof-Rack-Rail-Bars-for-_57.jpg](https://www.picclicking.com/00/s/MTlwMFgxNjAw/z/90sAAOSwJb9Wszjq/$/M-Way-Lockable-Aluminium-Roof-Rack-Rail-Bars-for-_57.jpg).

* cited by examiner

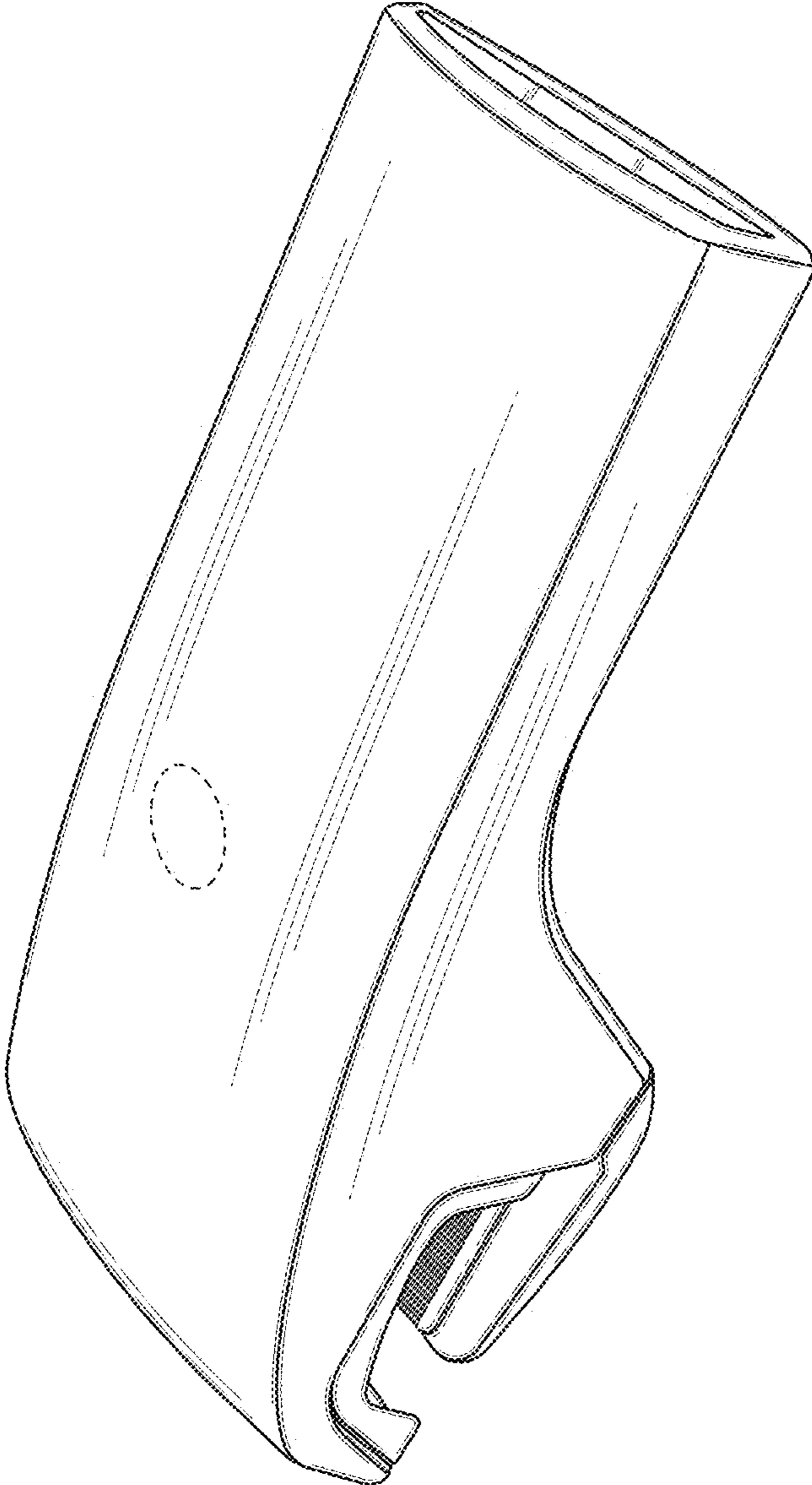


FIG. 1

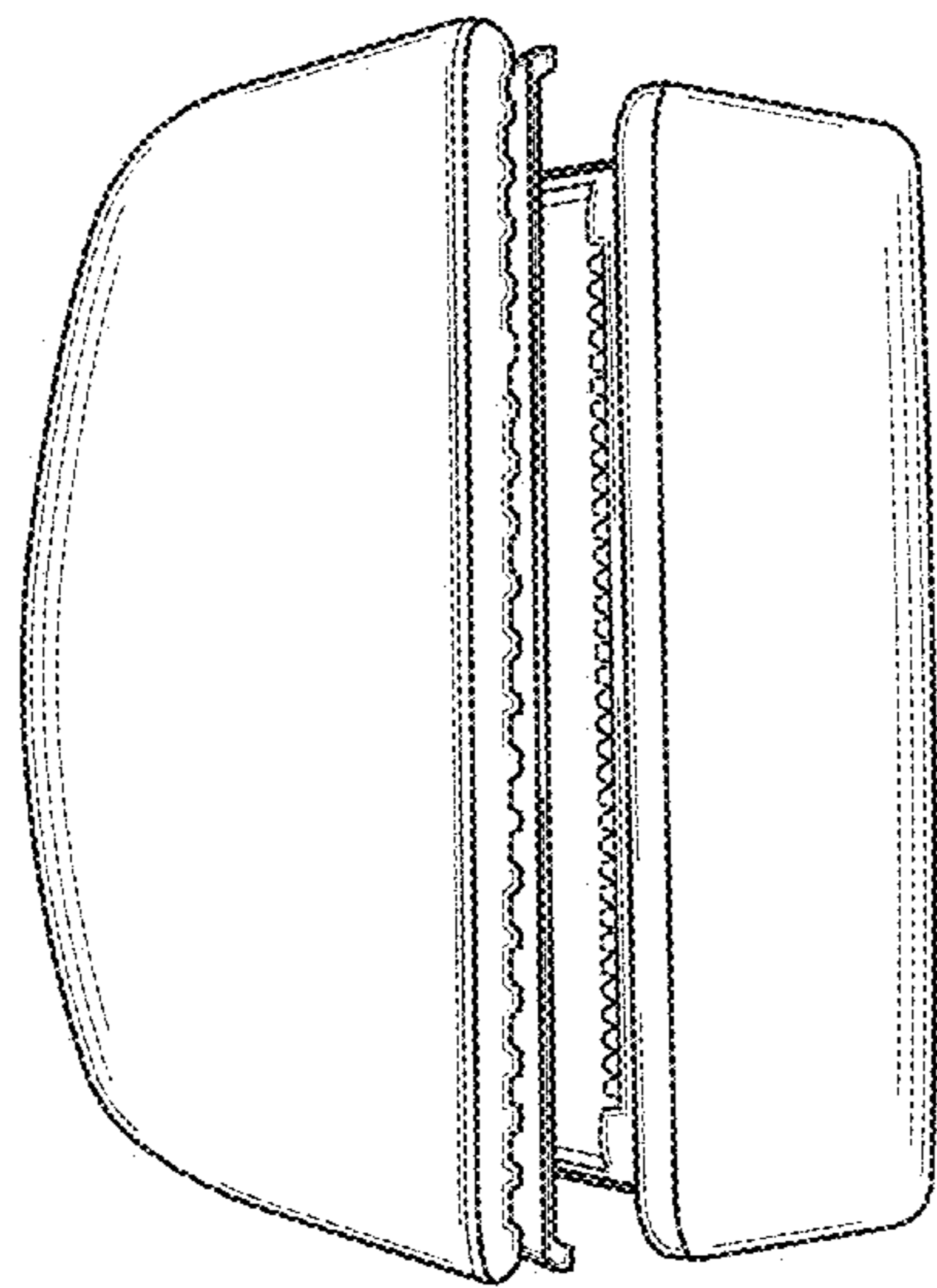


FIG. 2

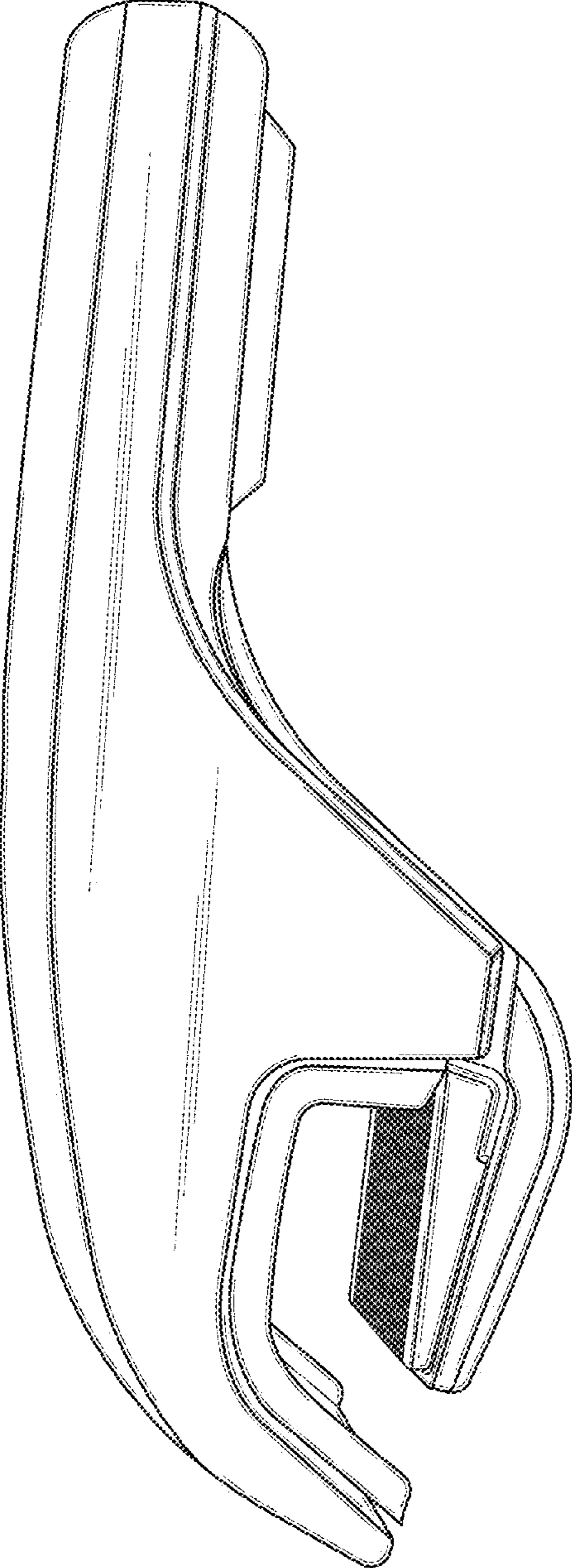


FIG. 3

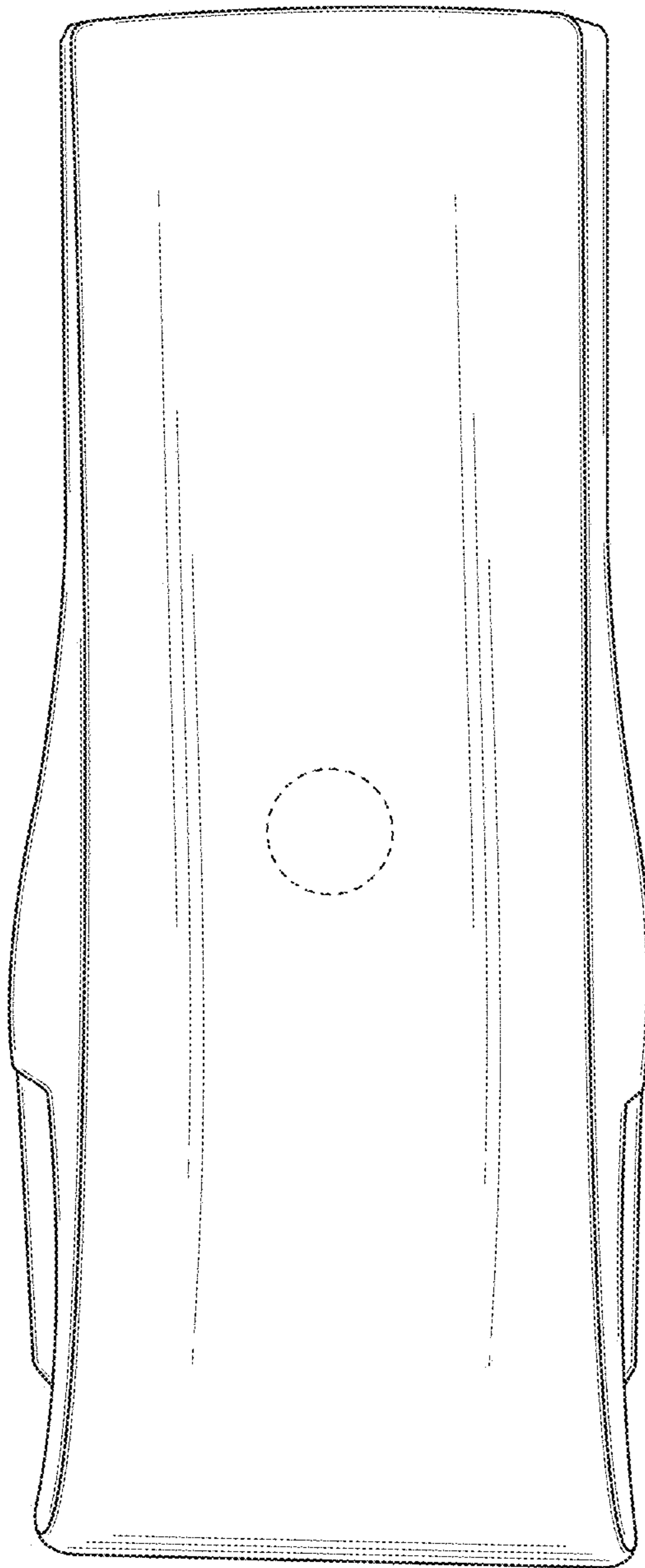


FIG. 4

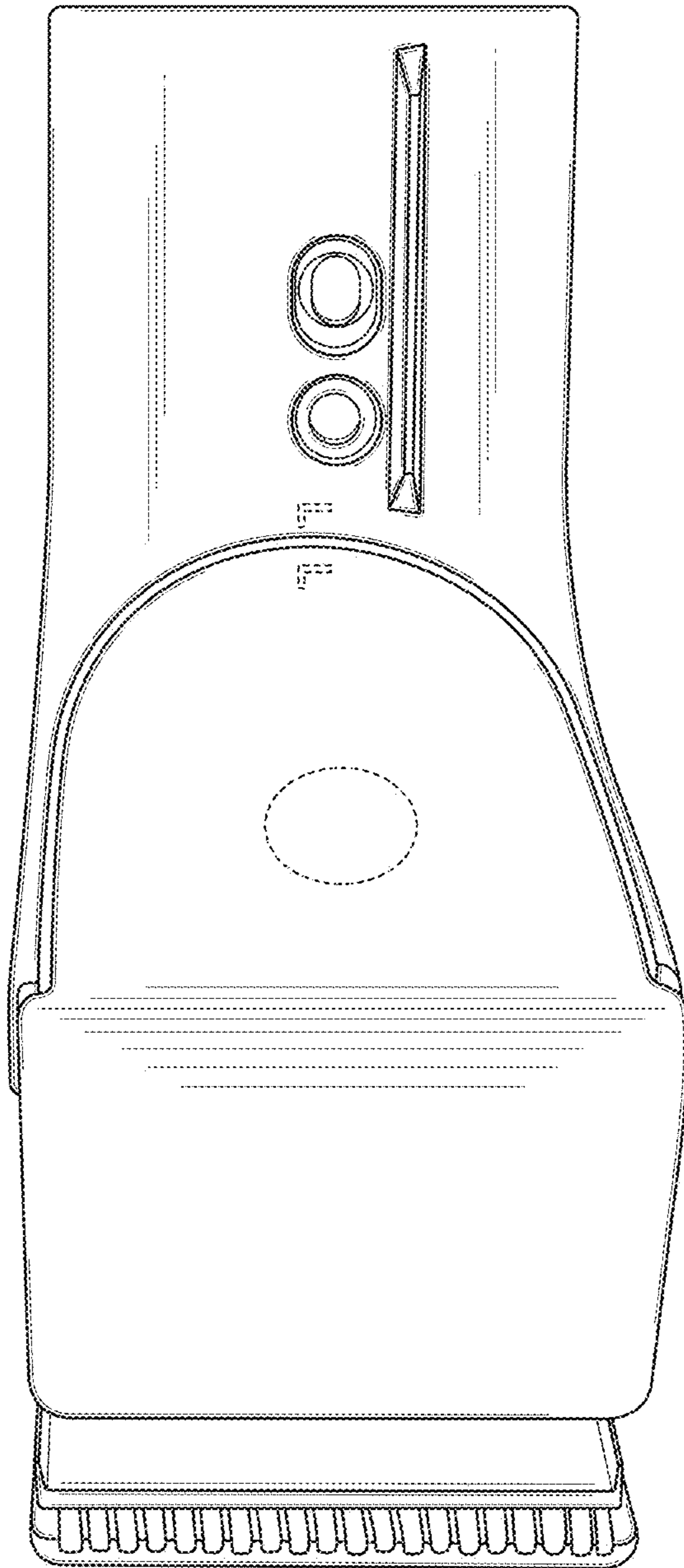


FIG. 5

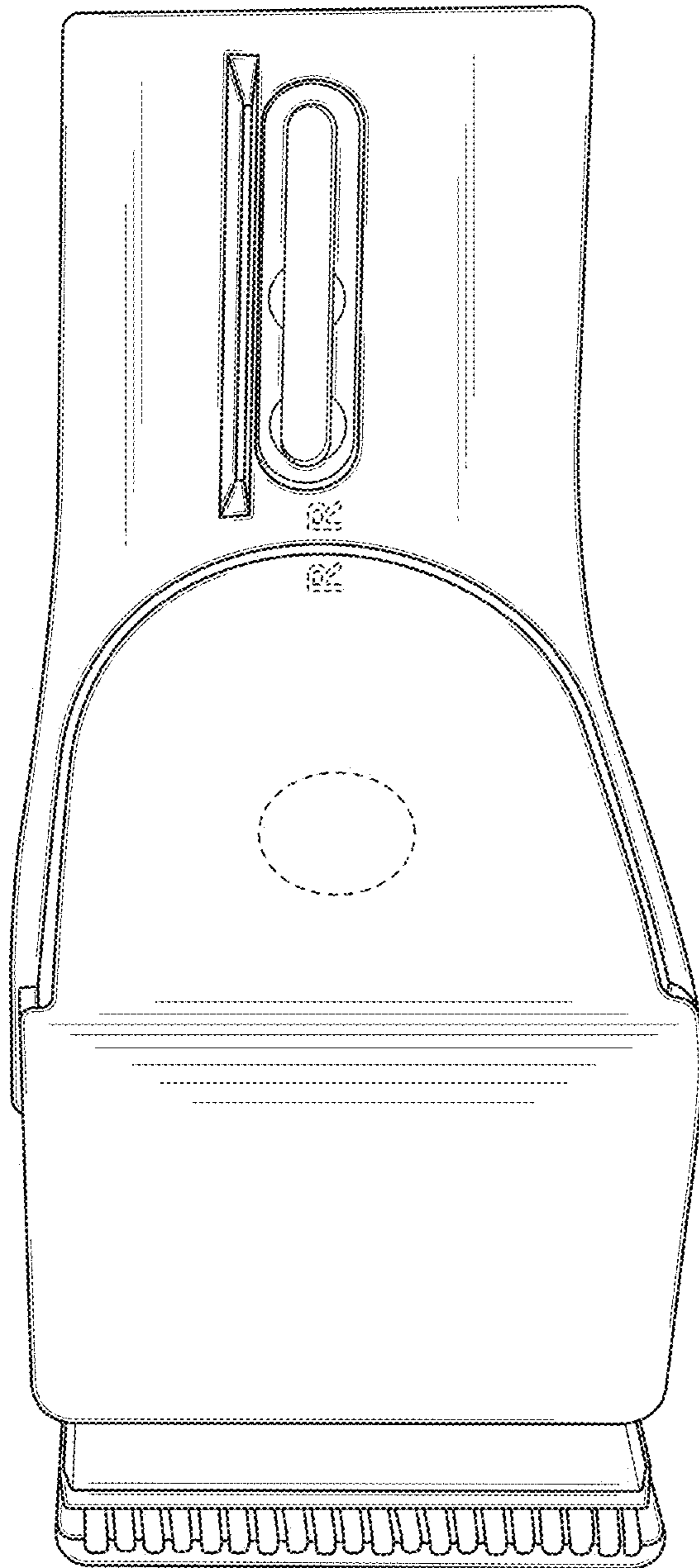


FIG. 6

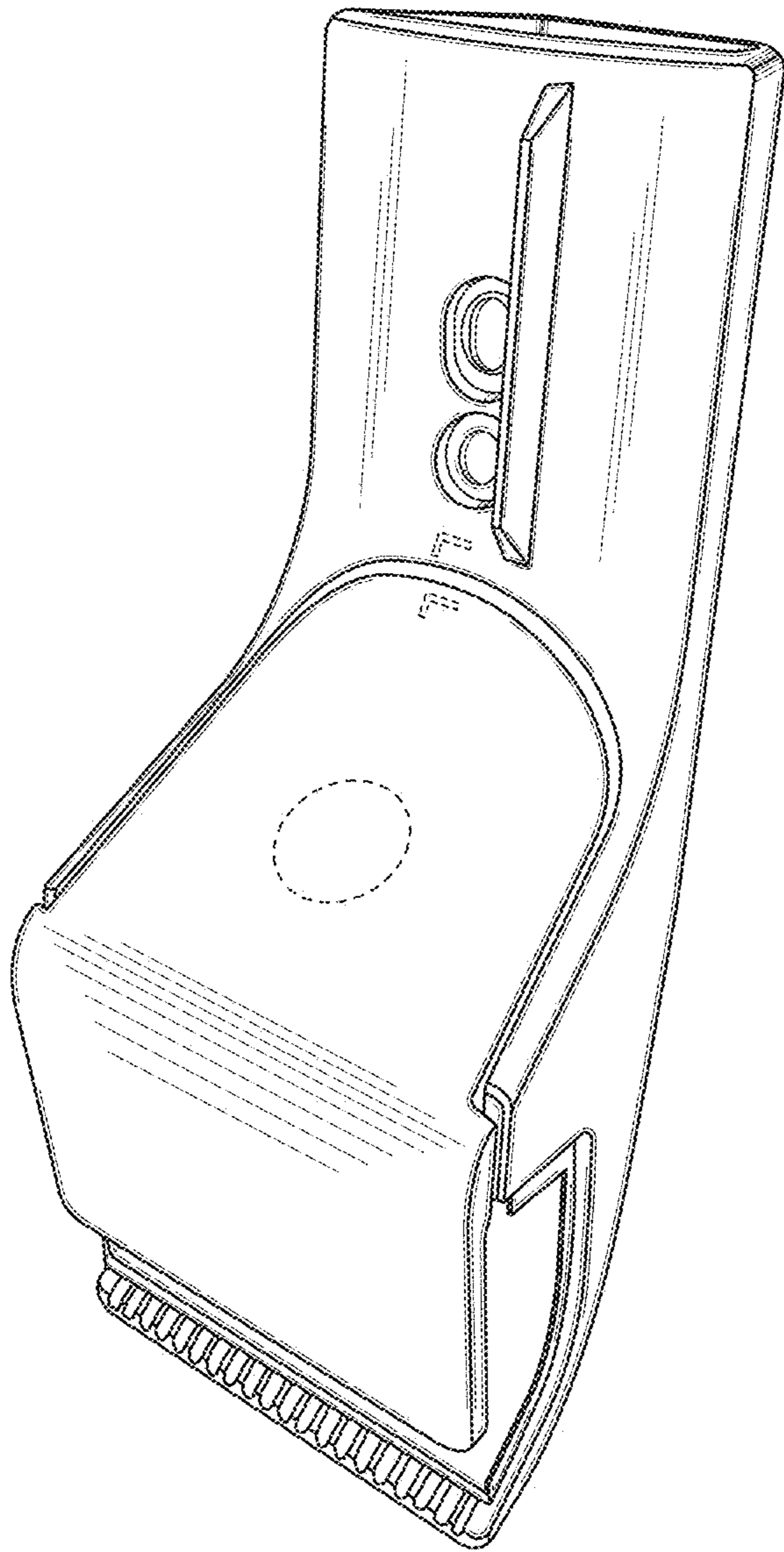


FIG. 7

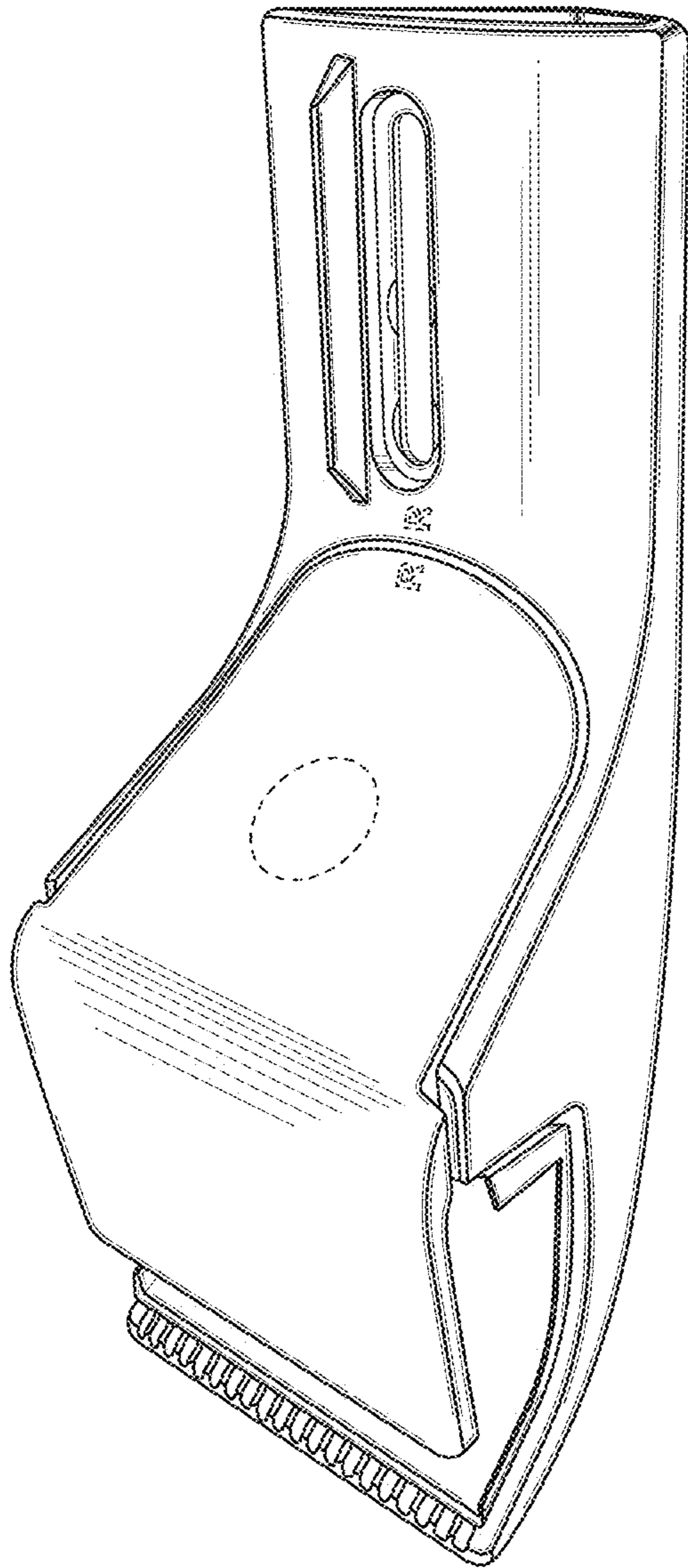


FIG. 8