



US00D879010S

(12) **United States Design Patent**
Schildmeier

(10) **Patent No.:** **US D879,010 S**
(45) **Date of Patent:** **** Mar. 24, 2020**

(54) **BED RAIL STAKE POCKET COVER**

8,974,161 B1 * 3/2015 Hemphill B60P 7/0807
410/106

(71) Applicant: **Eugene Schildmeier**, Anderson, IN
(US)

D816,584 S * 5/2018 Schildmeier D12/400
10,384,582 B2 * 8/2019 Parker B60N 3/02

(72) Inventor: **Eugene Schildmeier**, Anderson, IN
(US)

OTHER PUBLICATIONS

(**) Term: **15 Years**

Bed Rail Stake Pocket Covers posted to Amazon.com. Available date Dec. 13, 2016 [site visited Nov. 21, 2019]. Available: <https://www.amazon.com/Pocket-Covers-Shaped-Silverado-Sierra/dp/B01MQVOJV0> (Year: 2016).*

(21) Appl. No.: **29/627,298**

* cited by examiner

(22) Filed: **Nov. 25, 2017**

(51) **LOC (12) Cl.** **12-16**

Primary Examiner — Kevin K Rudzinski

(52) **U.S. Cl.**

(74) *Attorney, Agent, or Firm* — Ritchison Law Offices
PC; John D Ritchison

USPC **D12/400**

(58) **Field of Classification Search**

USPC D12/400

See application file for complete search history.

(57) **CLAIM**

(56) **References Cited**

I claim the ornamental design for a bed rail stake pocket cover, as shown and described.

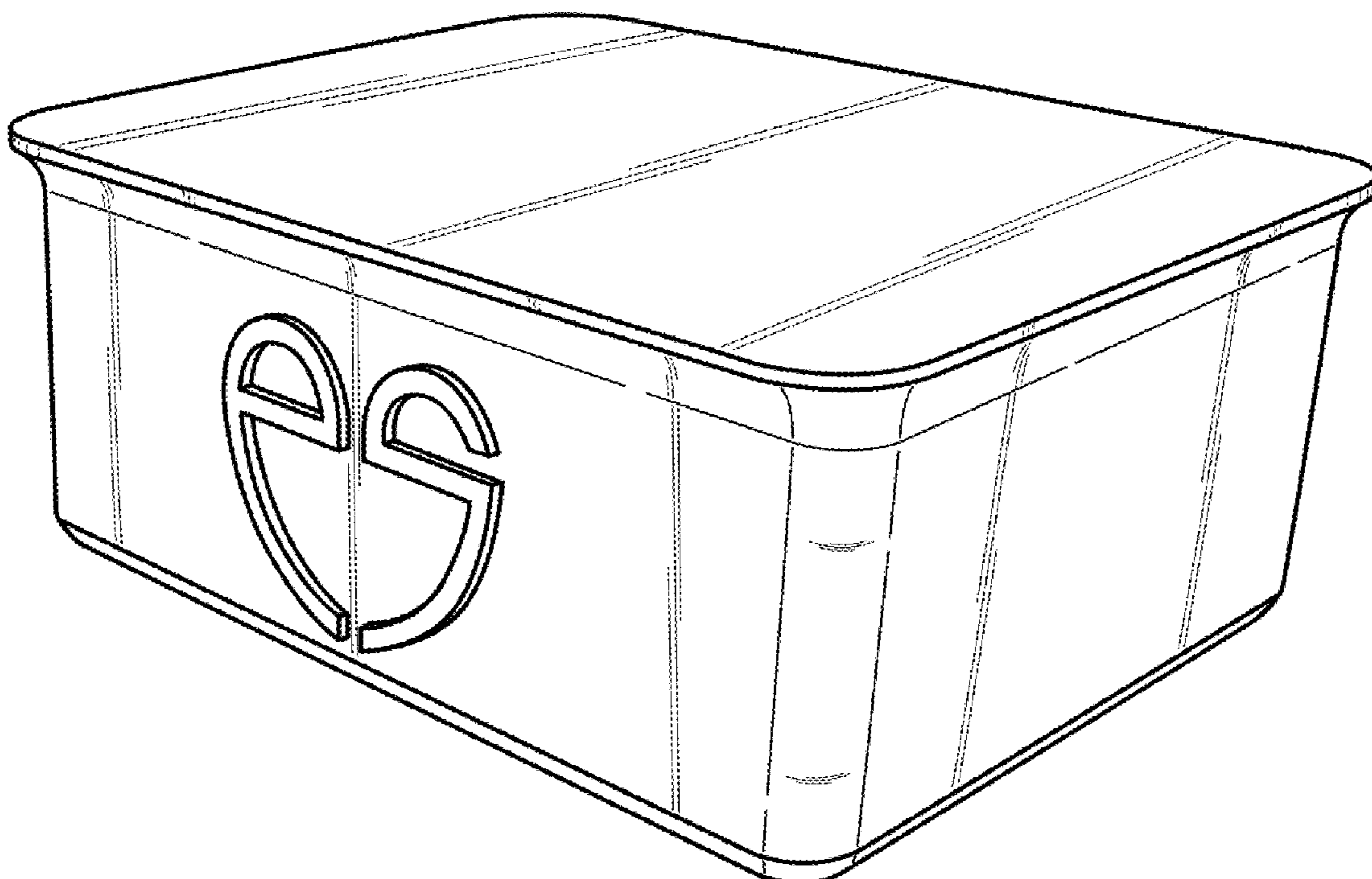
U.S. PATENT DOCUMENTS

DESCRIPTION

- 3,421,726 A * 1/1969 Getter B60P 7/0807
410/110
- 5,326,203 A * 7/1994 Cockrell B62D 33/0207
410/106
- 5,738,471 A * 4/1998 Zentner B60P 7/0807
410/101
- 5,823,601 A * 10/1998 Stanesic B60R 13/01
296/41
- 5,997,227 A * 12/1999 Bundy B60P 7/0815
410/101
- 6,286,884 B1 * 9/2001 Speece B60R 13/01
280/770
- 6,969,219 B2 * 11/2005 Speece B60P 7/0807
410/106

FIG. 1 is a Front Perspective view of a bed rail stake pocket cover;
FIG. 2 is a Back perspective view thereof;
FIG. 3 is a Front view thereof;
FIG. 4 is a Back view thereof;
FIG. 5 is a Left Side elevational view thereof;
FIG. 6 is a Right Side view thereof;
FIG. 7 is a Top view thereof; and,
FIG. 8 is a Bottom view thereof.

1 Claim, 8 Drawing Sheets



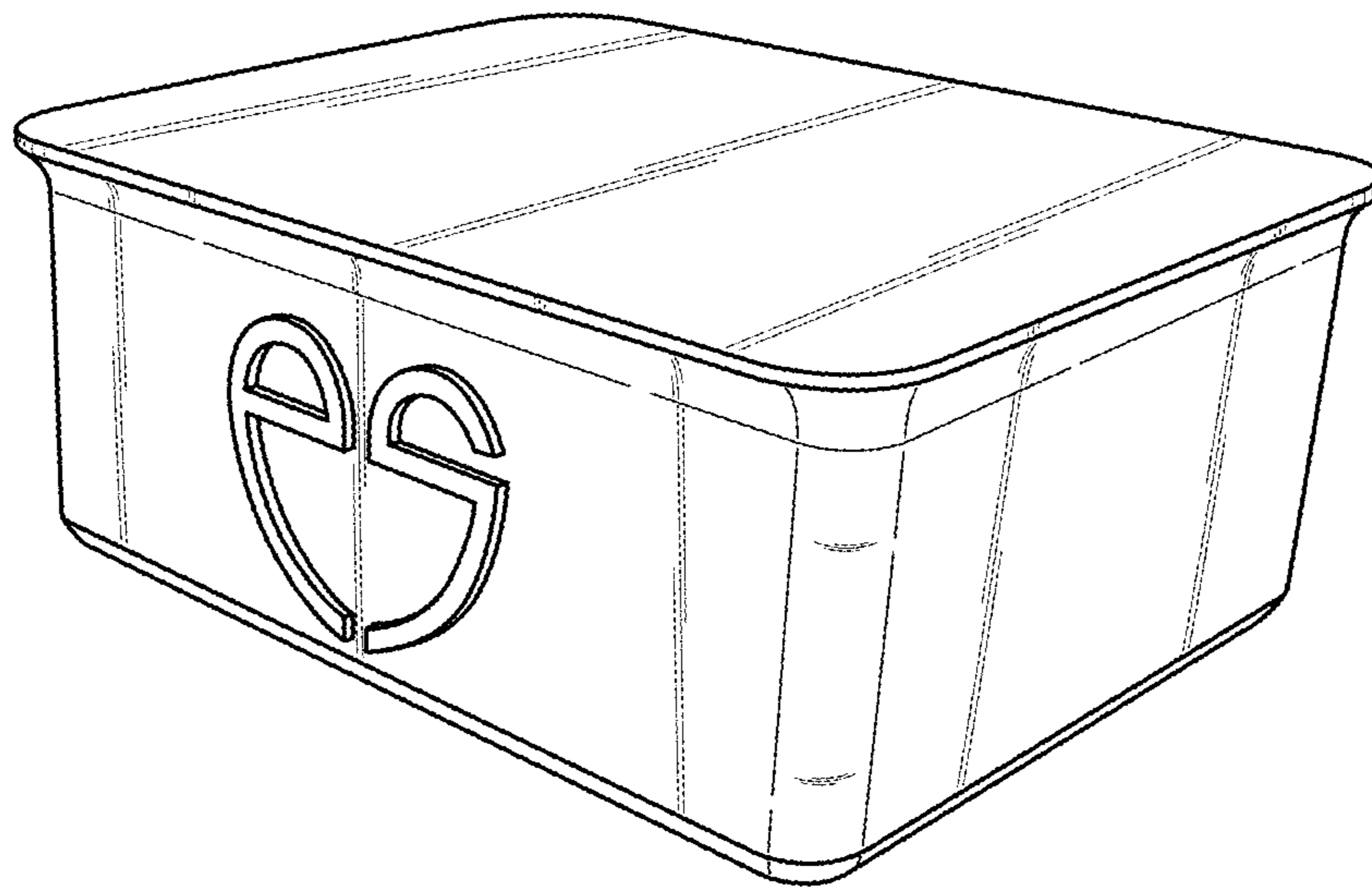


FIG. 1

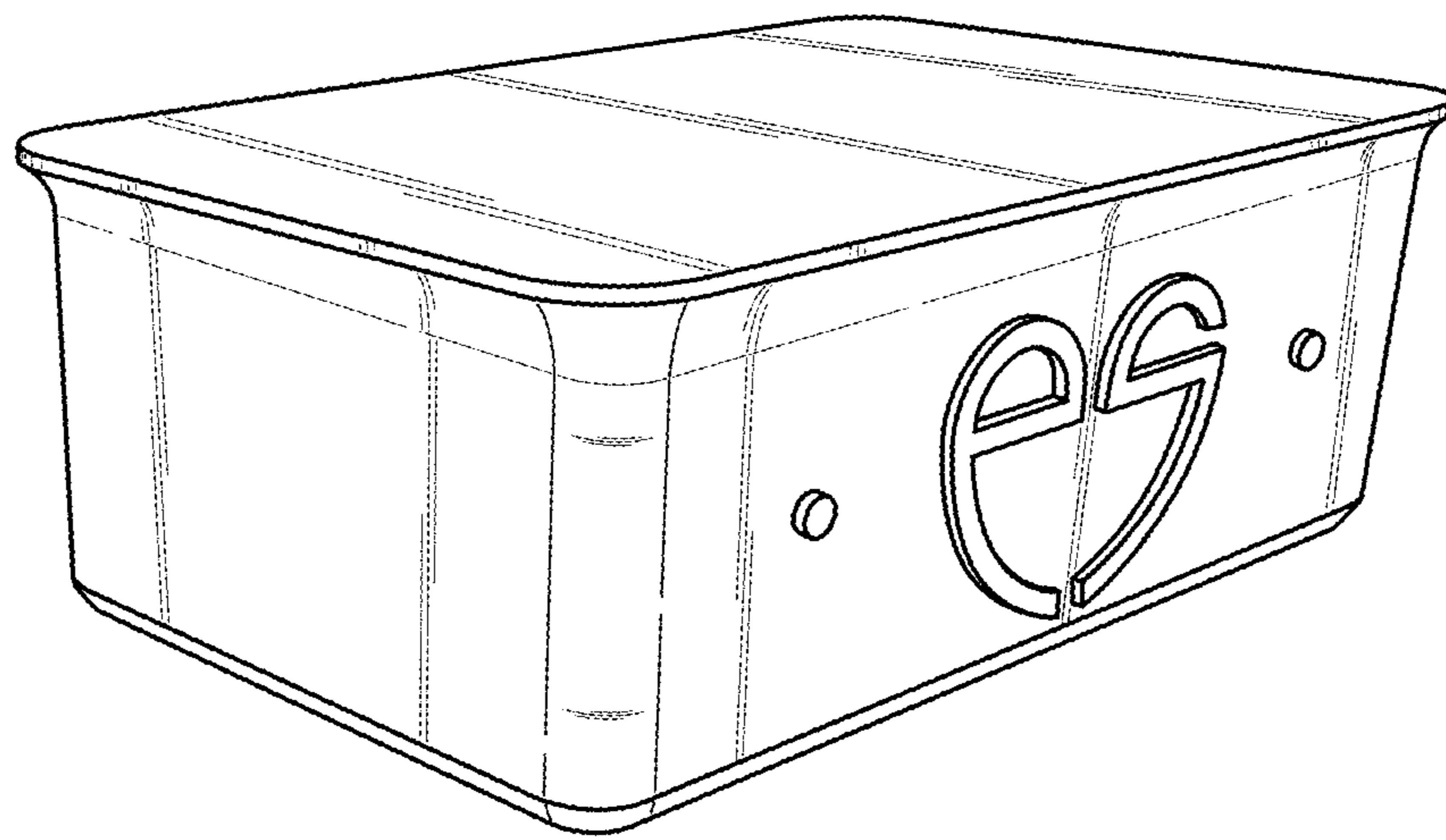


FIG. 2

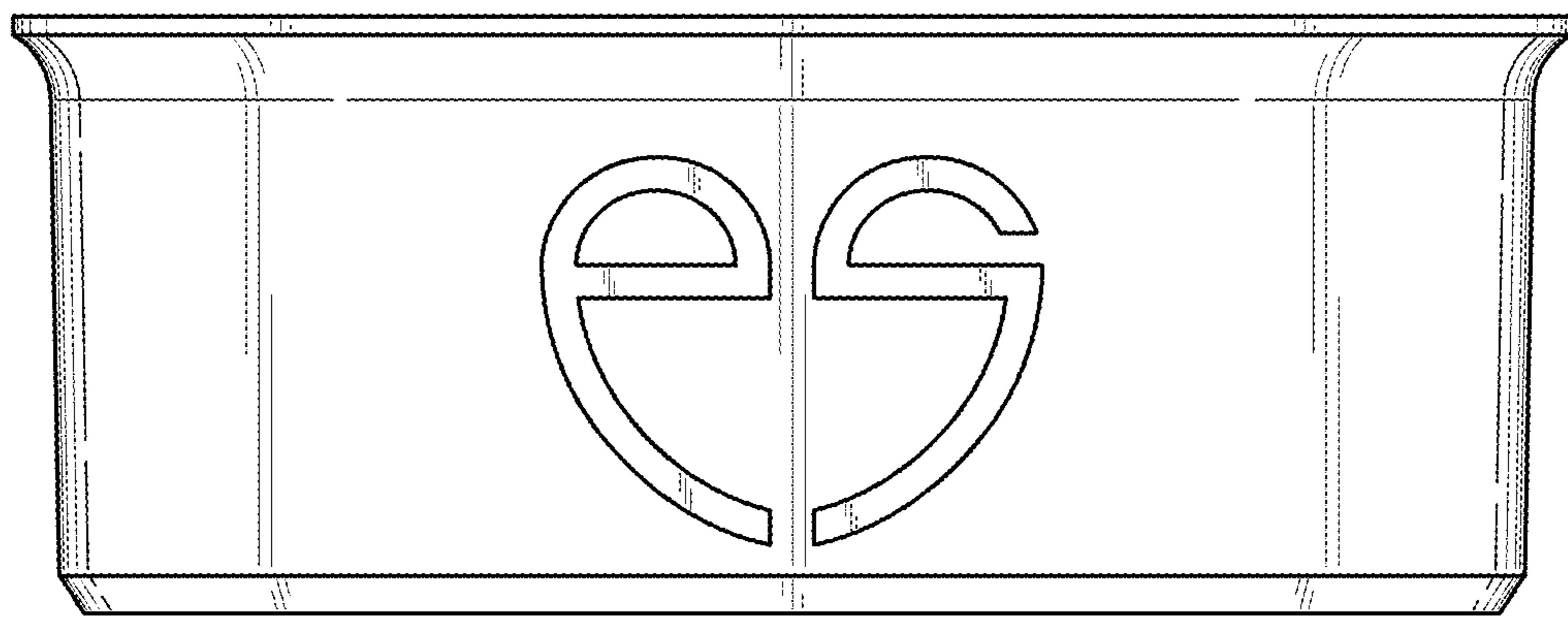


FIG. 3

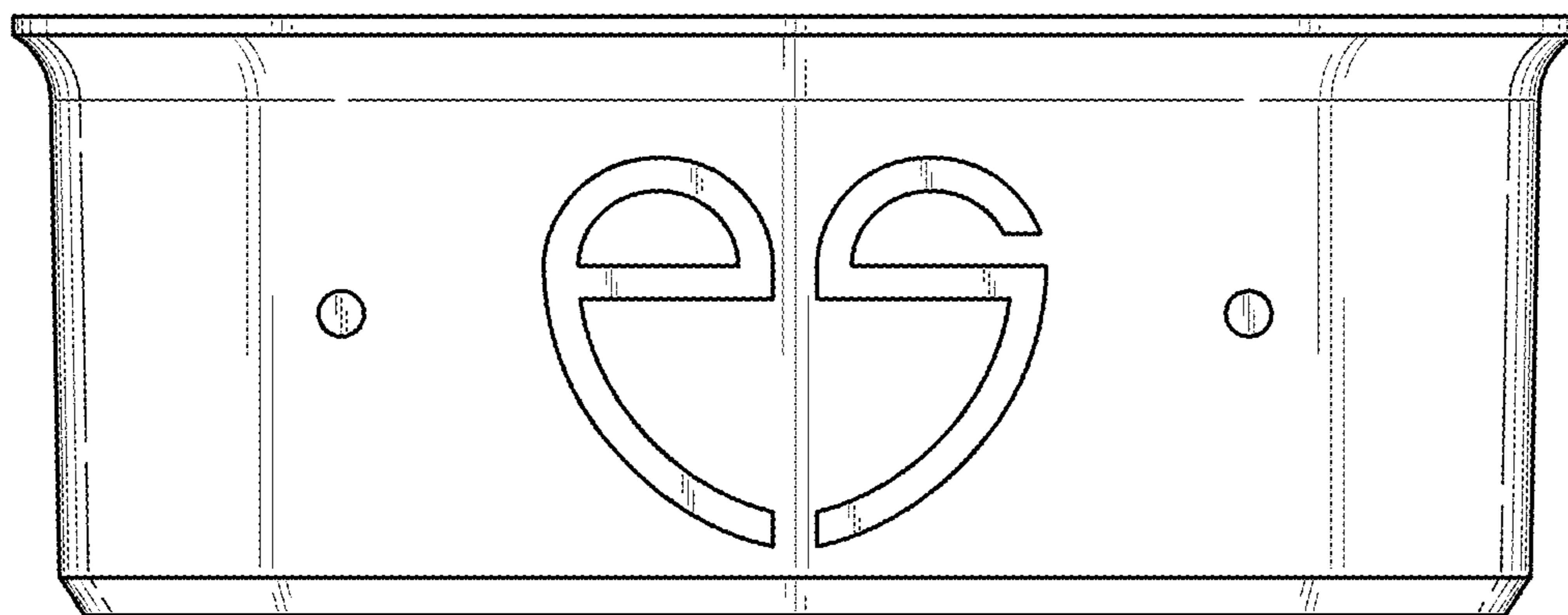


FIG. 4

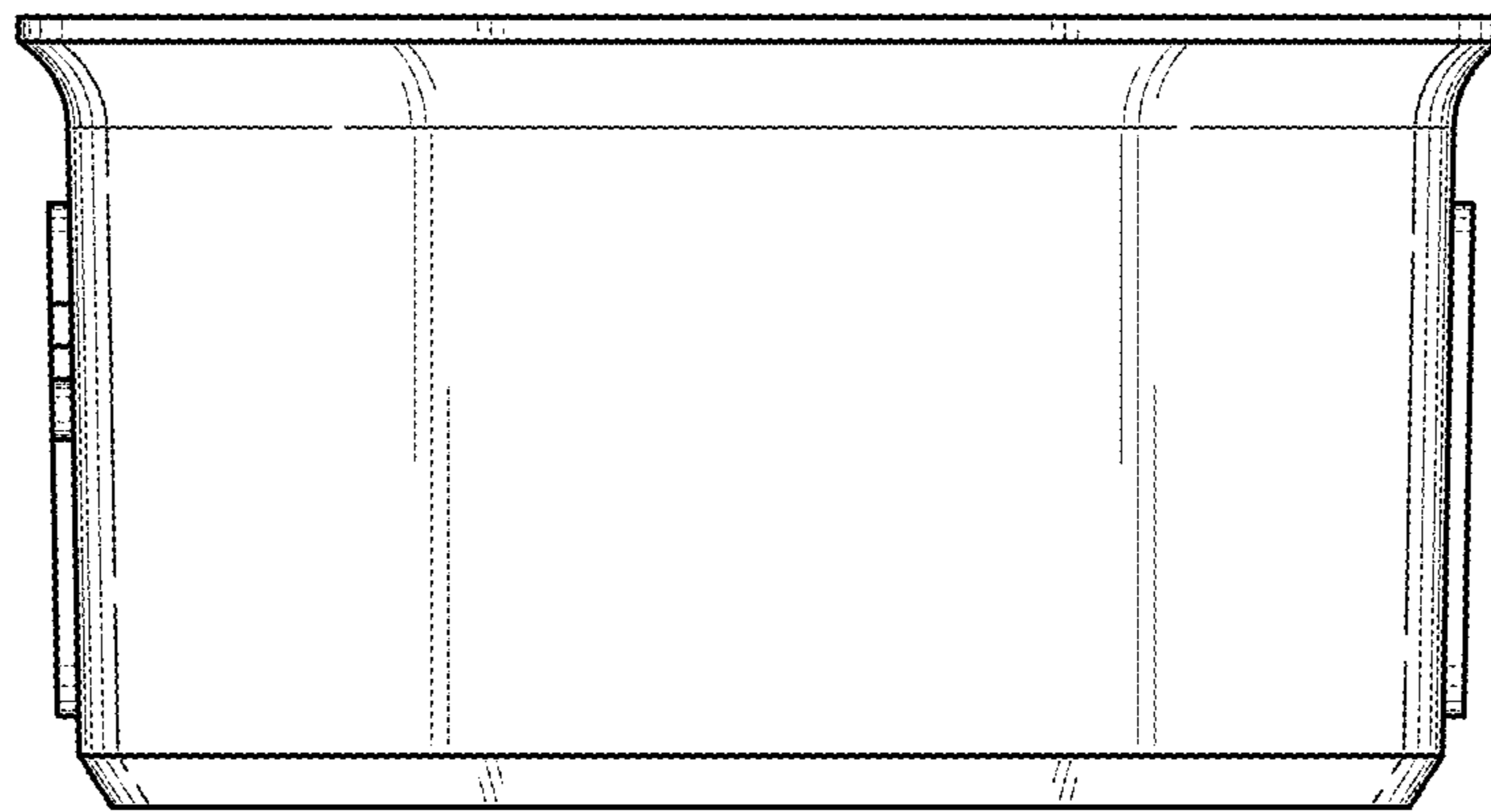


FIG. 5

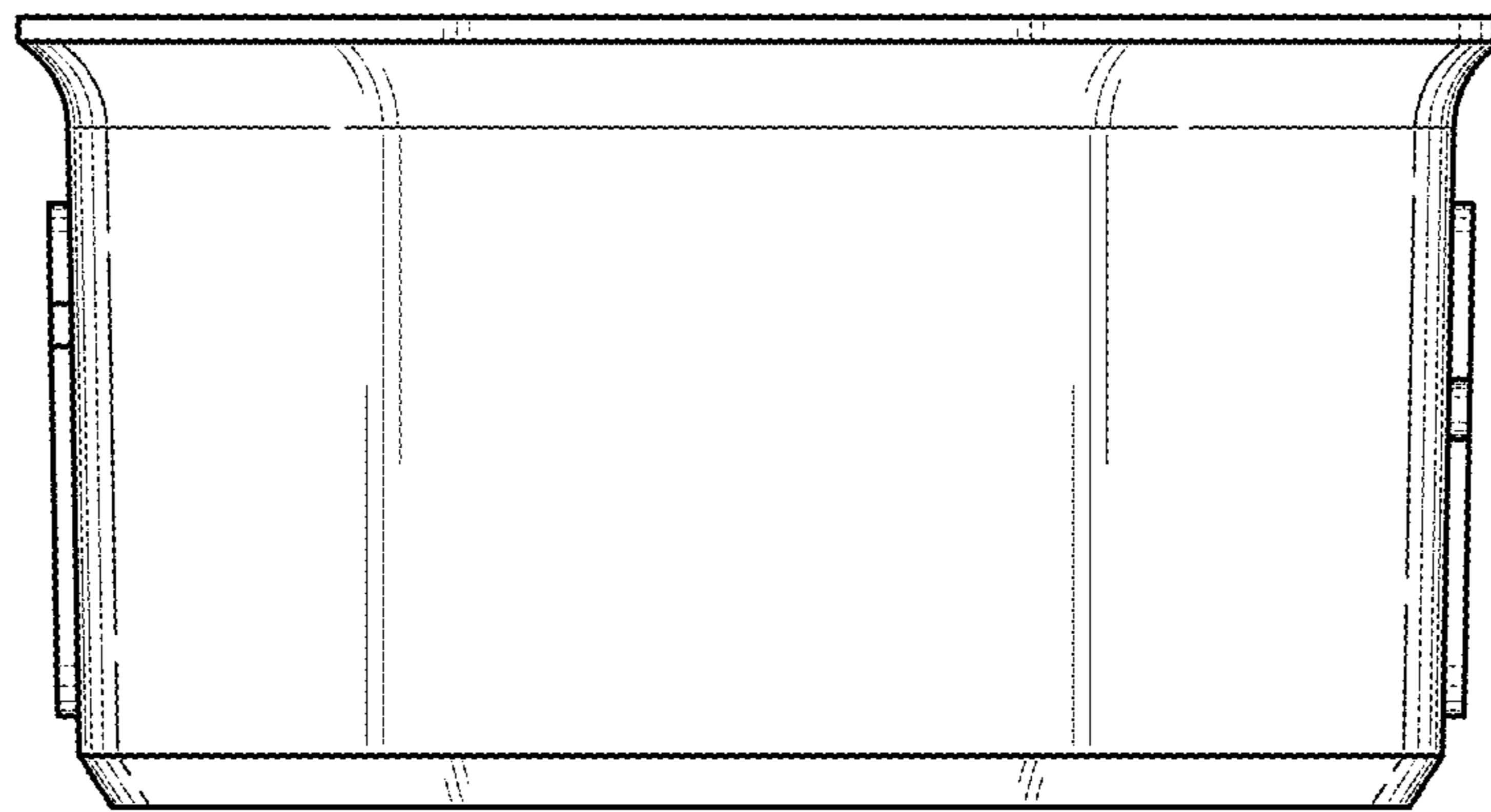


FIG. 6

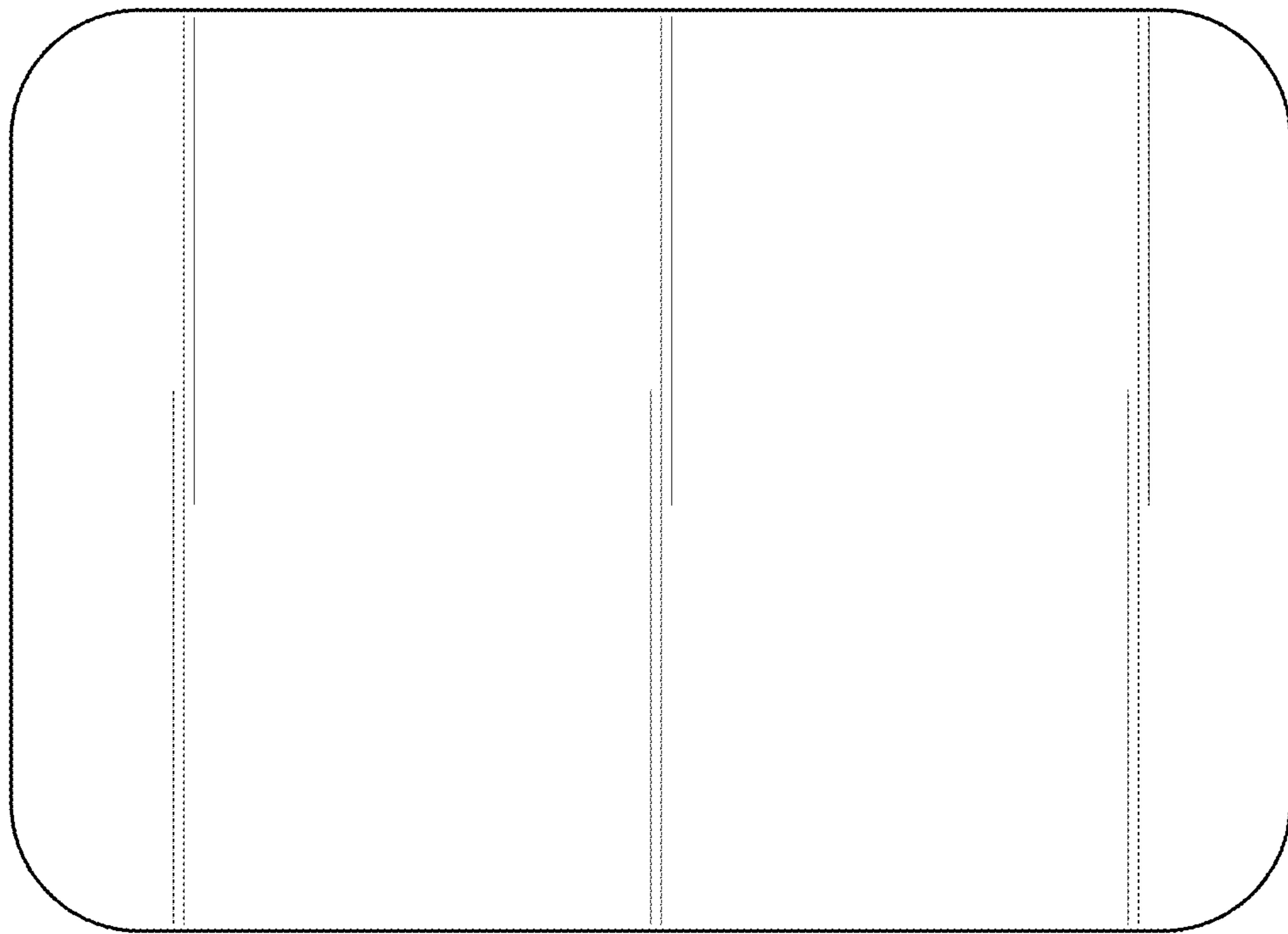


FIG. 7

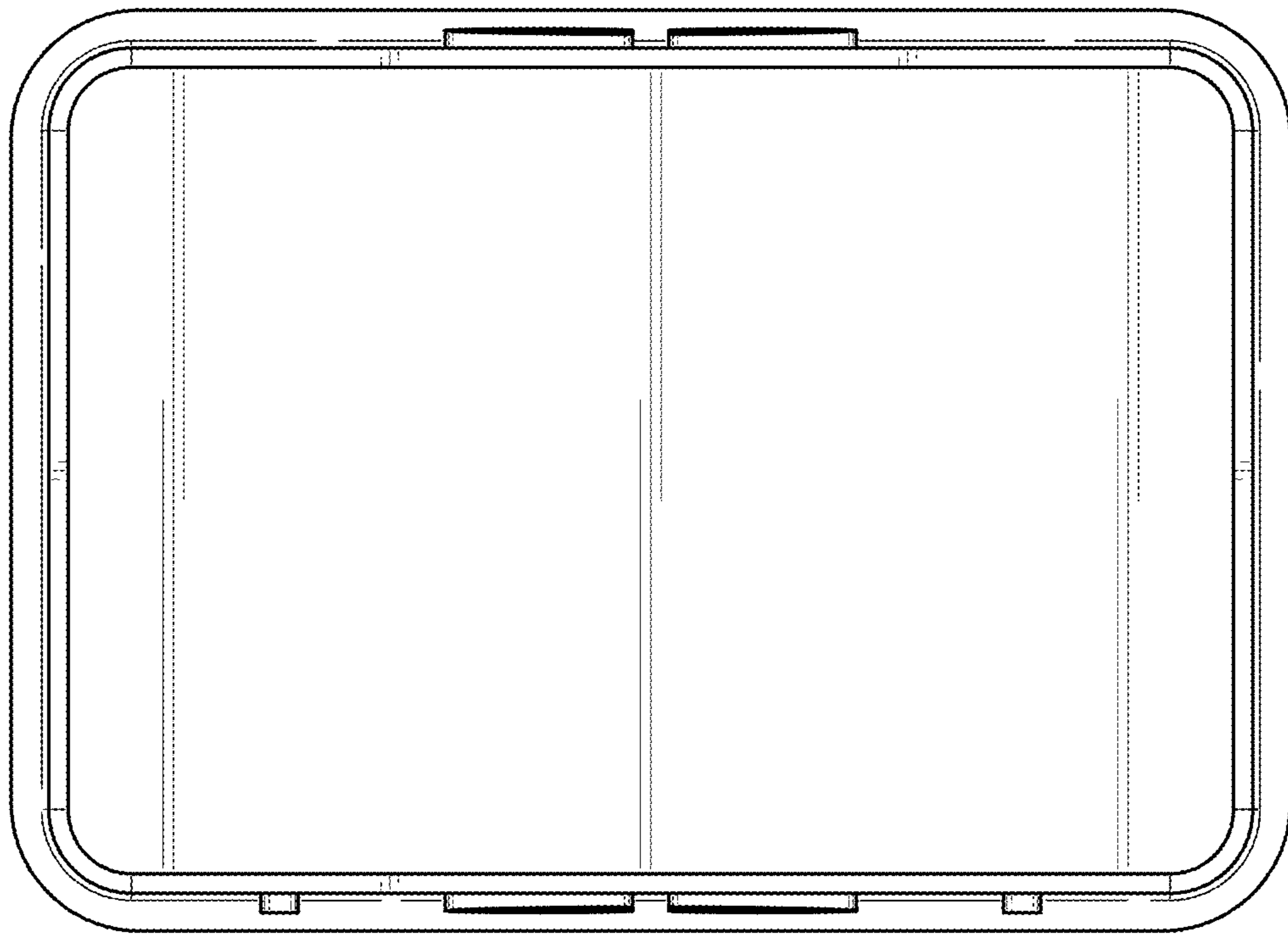


FIG. 8