



US00D879009S

(12) **United States Design Patent** (10) **Patent No.:** **US D879,009 S**
Smallhorn (45) **Date of Patent:** **** Mar. 24, 2020**

(54) **AIRCRAFT PASSENGER CONTROL CONSOLE**

(56) **References Cited**

(71) Applicant: **INFLIGHT INVESTMENTS INC.,**
St-Laurent (CA)
(72) Inventor: **George R Smallhorn, St-Laurent (CA)**
(73) Assignee: **Inflight Investments Inc., St-Laurent,**
Quebec (CA)

U.S. PATENT DOCUMENTS

D213,144 S 1/1969 Kraus et al. D71/1
D259,038 S 4/1981 Smith D12/195
D261,387 S 10/1981 Weitz et al. D12/192
D281,940 S 12/1985 Steventon et al. D6/492
D295,042 S 4/1988 Steventon et al. D14/77
6,425,773 B2 7/2002 Mosebach et al. 439/137

(Continued)

(**) Term: **15 Years**

FOREIGN PATENT DOCUMENTS

(21) Appl. No.: **29/613,997**

CN 202354885 8/2012 A47C 1/121
EP 1137109 9/2001 H01R 13/44

(Continued)

(22) Filed: **Aug. 15, 2017**

OTHER PUBLICATIONS

Related U.S. Application Data

U.S. Appl. No. 29/475,990, filed Dec. 10, 2013.
U.S. Appl. No. 29/549,466, filed Dec. 22, 2015.
U.S. Appl. No. 29/579,507, filed Sep. 30, 2016.

(60) Continuation of application No. 29/579,507, filed on
Sep. 30, 2016, now abandoned, which is a division of
application No. 29/549,466, filed on Dec. 22, 2015,
now Pat. No. Des. 786,770, which is a division of
application No. 29/475,990, filed on Dec. 10, 2013,
now Pat. No. Des. 750,007.

Primary Examiner — Marissa J Cash

(74) *Attorney, Agent, or Firm* — Kusner & Jaffe

(57) **CLAIM**

The ornamental design for the aircraft passenger control
console, as shown and described.

DESCRIPTION

(30) **Foreign Application Priority Data**

Jun. 10, 2013 (CA) 151587

(51) **LOC (12) Cl.** **12-07**

(52) **U.S. Cl.**
USPC **D12/345**

(58) **Field of Classification Search**
USPC D12/319–345, 16.1, 1–4, 415;
D21/436–455

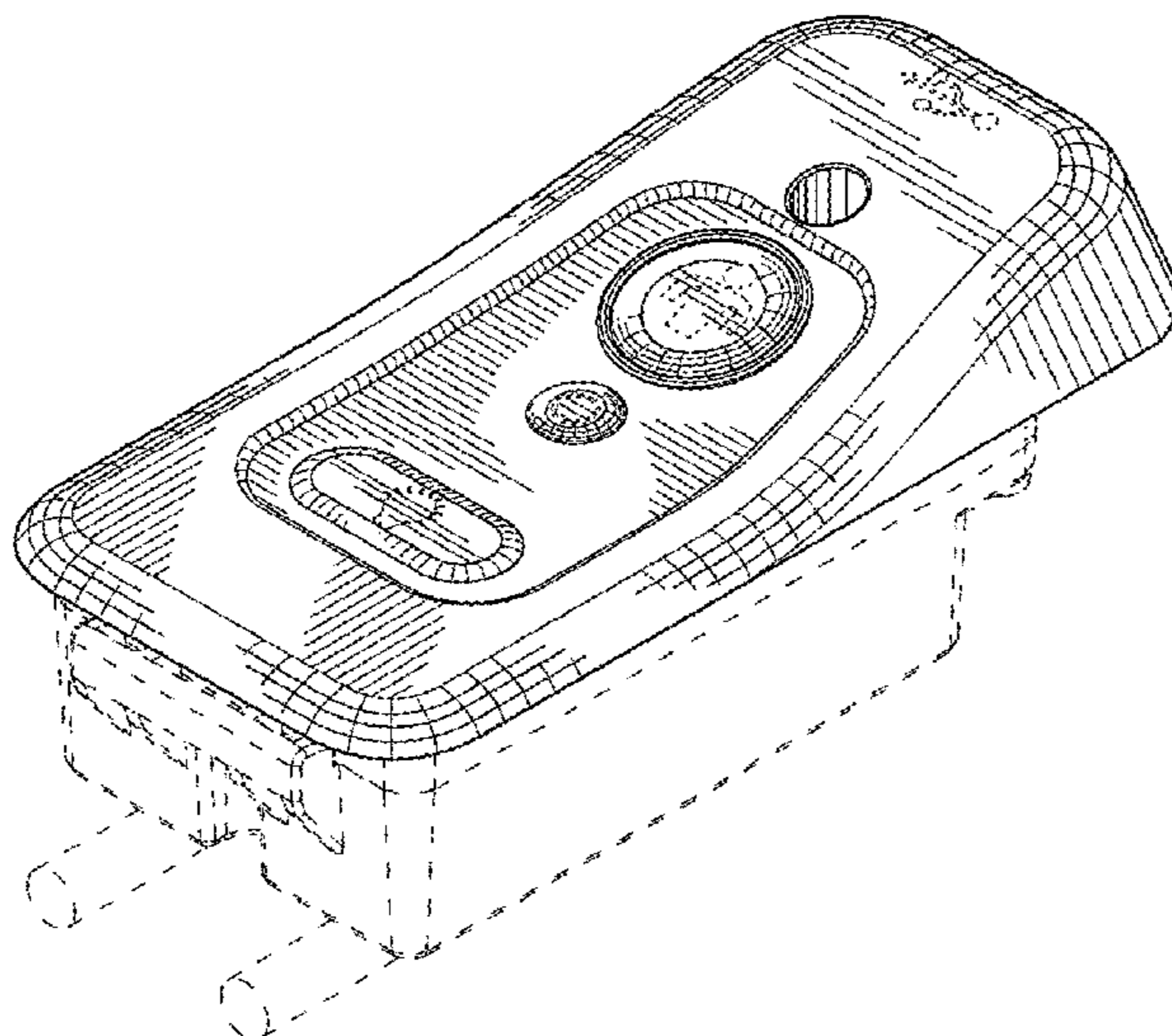
CPC B64C 2201/146; B64C 2201/027; B64C
2201/104; B64C 25/06; B64C 25/24;
B64C 39/04; B64C 5/02

See application file for complete search history.

FIG. 1 is a top perspective view of an aircraft passenger
control console, showing my new design;
FIG. 2 is a top perspective view thereof taken from an
opposite end thereof;
FIG. 3 is a first end view thereof;
FIG. 4 is an opposite end view thereof;
FIG. 5 is a first side view thereof;
FIG. 6 is a second side view thereof;
FIG. 7 is a top view thereof; and,
FIG. 8 is a bottom view thereof.

In the drawings, the broken lines depict environmental
subject matter only and form no part of the claimed design.

1 Claim, 6 Drawing Sheets



(56)

References Cited

U.S. PATENT DOCUMENTS

6,634,904 B2 10/2003 Rowland et al. 439/534
 6,817,894 B2 11/2004 Sanner et al. 439/535
 6,835,068 B2 12/2004 Pappas et al. 439/34
 6,843,681 B2 1/2005 Sanner 439/536
 6,860,554 B2 3/2005 Lambiaso 297/217.3
 7,047,112 B2 5/2006 Riedel et al. 701/3
 D600,623 S 9/2009 Fiedler et al. D12/345
 D613,669 S * 4/2010 Collins D12/345
 7,766,293 B2 8/2010 Seidl et al. 248/311.2
 D628,529 S 12/2010 Fiedler et al. D12/345
 8,321,611 B2 11/2012 Francois et al. 710/62
 8,360,365 B2 1/2013 Rahlff 244/118.5
 D677,639 S 3/2013 Margis et al. D14/129
 8,430,358 B2 4/2013 Schneider et al. 244/118.5
 D690,255 S 9/2013 Schutterra et al. D12/345
 D750,007 S * 2/2016 Smallhorn D12/345
 D786,171 S * 5/2017 Smallhorn D12/345
 D786,770 S * 5/2017 Smallhorn D12/345
 D787,420 S * 5/2017 Smallhorn D12/345
 D788,017 S * 5/2017 Smallhorn D12/345
 D795,786 S * 8/2017 Smallhorn D12/345
 D797,642 S * 9/2017 Smallhorn D12/345
 D797,643 S * 9/2017 Smallhorn D12/345
 D797,644 S * 9/2017 Smallhorn D12/345
 2002/0109647 A1 8/2002 Crandall et al. G09G 5/00

2004/0235469 A1 11/2004 Krug 455/431
 2006/0075934 A1 4/2006 Ram 108/44
 2006/0267994 A1 11/2006 Pfleging et al. 345/530
 2006/0288377 A1 12/2006 Hsieh 725/76
 2008/0001583 A1 1/2008 Brown et al. 323/234
 2009/0079705 A1 3/2009 Sizelove et al. 345/173
 2009/0249408 A1 10/2009 Smallhorn 725/75
 2010/0187903 A1 7/2010 Diab et al. 307/9.1
 2010/0295340 A1 11/2010 Stangl et al. 297/188.01
 2011/0003505 A1 1/2011 Greig et al. 439/540.1
 2011/0079682 A1 4/2011 Raybell et al. 244/122
 2011/0162015 A1 6/2011 Holyoake et al. 725/76
 2011/0174926 A1 7/2011 Margis et al.
 2011/0129408 A1 9/2011 Frisco et al. 725/77
 2011/0219409 A1 9/2011 Frisco et al. 725/77
 2012/0032027 A1 2/2012 Gehm et al. 244/118.5
 2012/0039048 A1 2/2012 Mondragon et al. 361/733
 2012/0228426 A1 9/2012 Schneider et al. 244/118.5
 2012/0250879 A1 10/2012 Moody 381/86
 2013/0001987 A1 1/2013 Heredia 297/163
 2013/0093220 A1 4/2013 Pajic 297/163

FOREIGN PATENT DOCUMENTS

EP 1865591 12/2007 H02M 3/156
 EP 2106141 9/2009 H04N 7/173
 WO WO 03/024110 3/2003 H04N 7/173

* cited by examiner

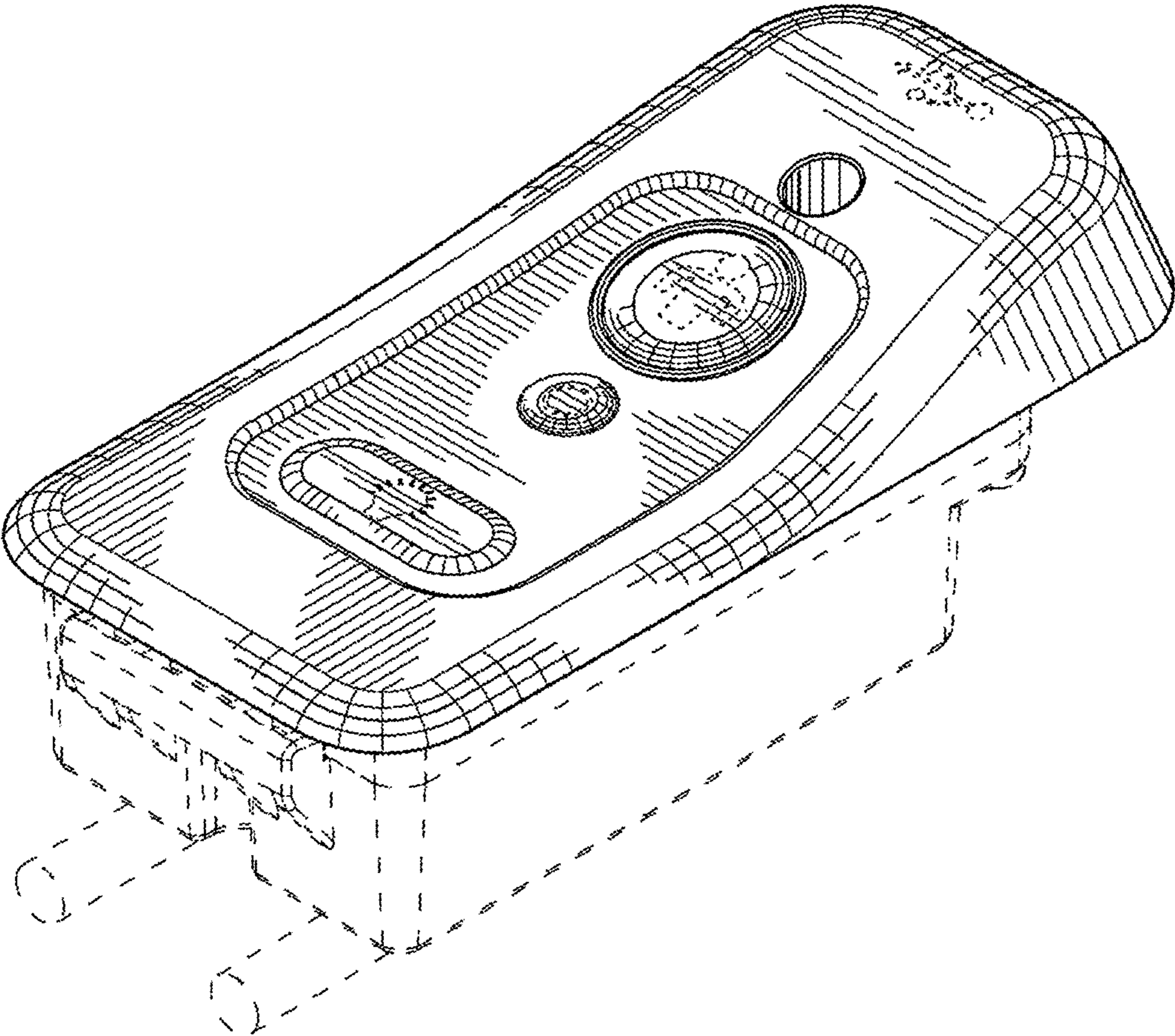


FIG.1

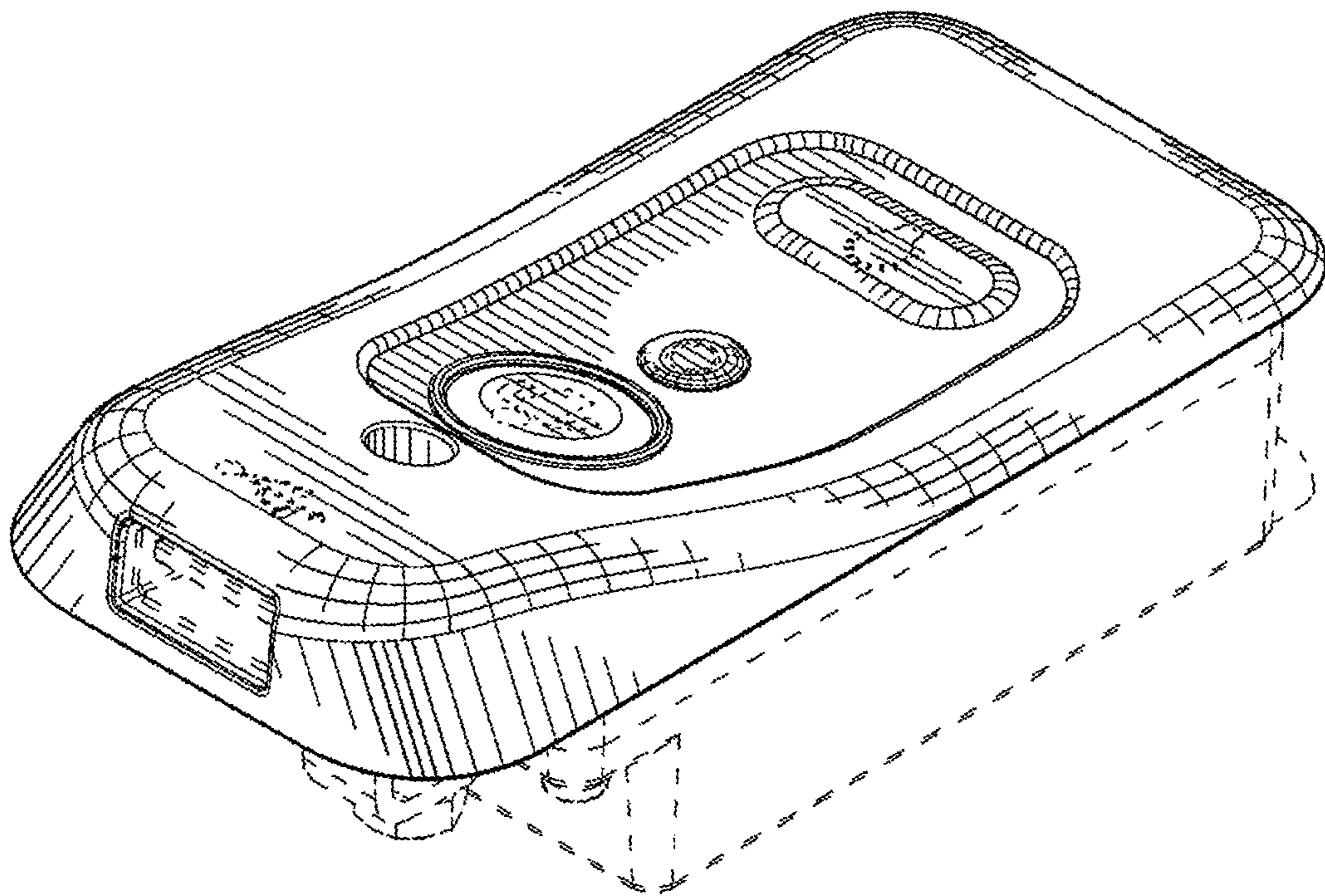


FIG.2

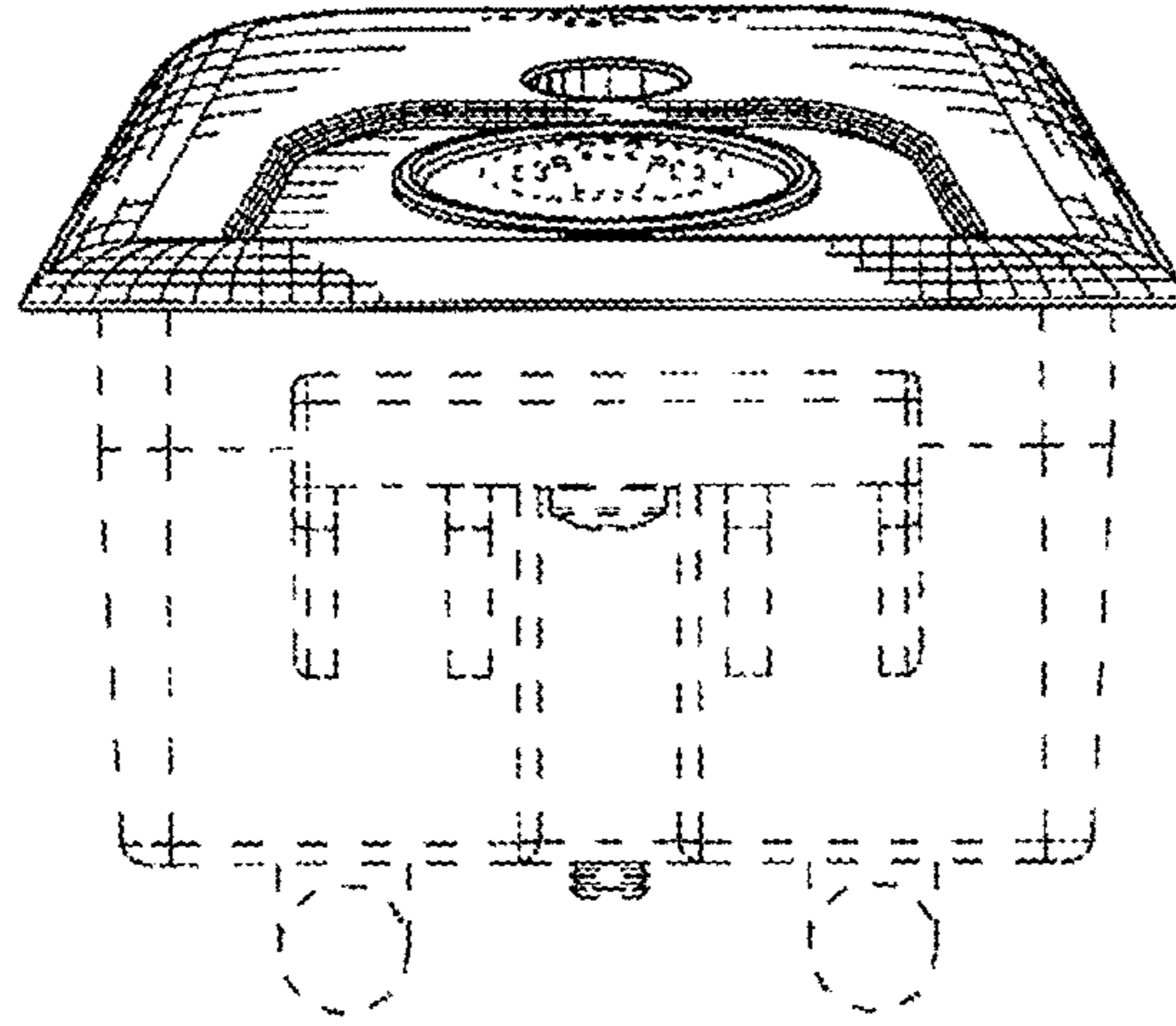


FIG.3

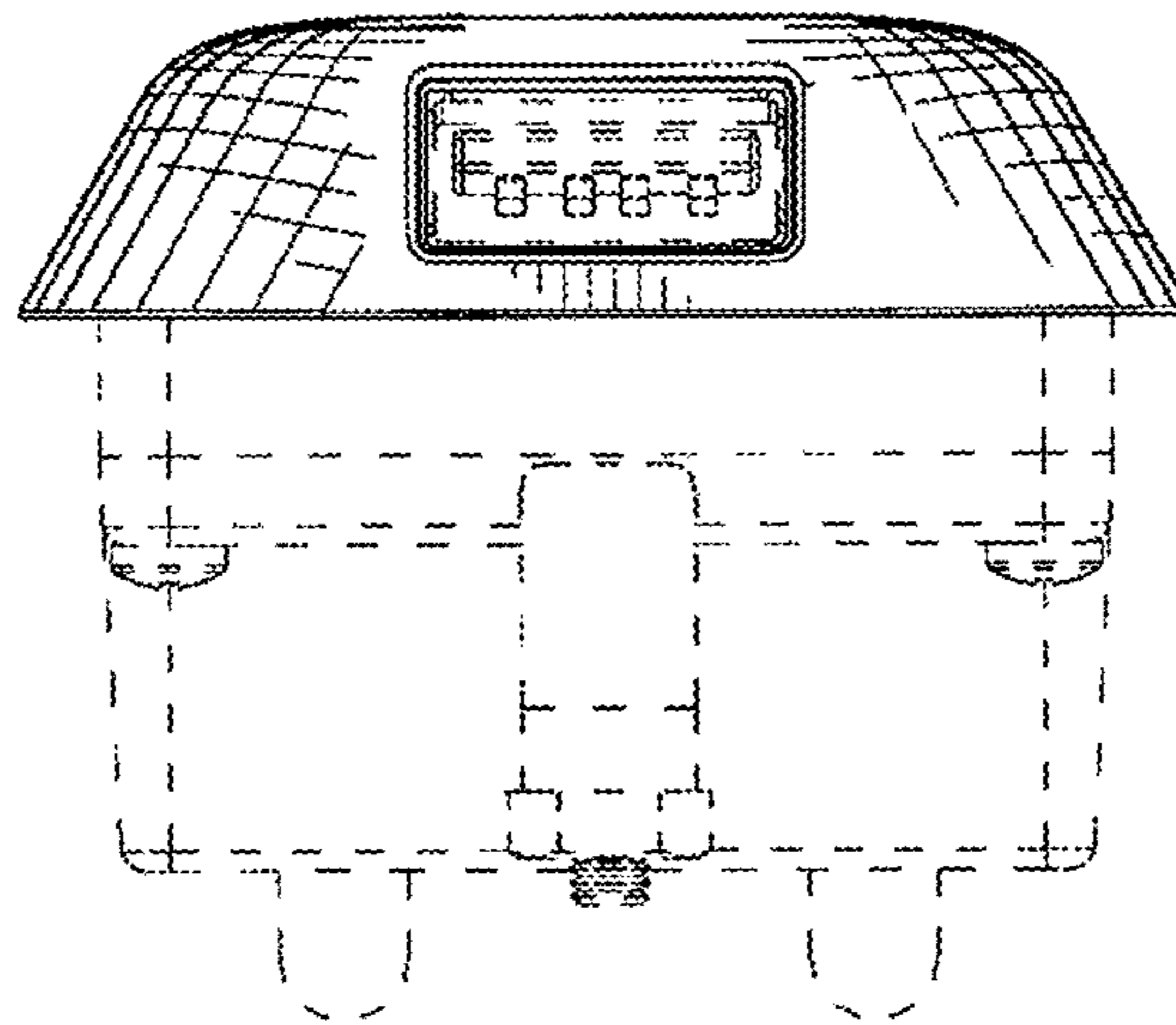


FIG.4

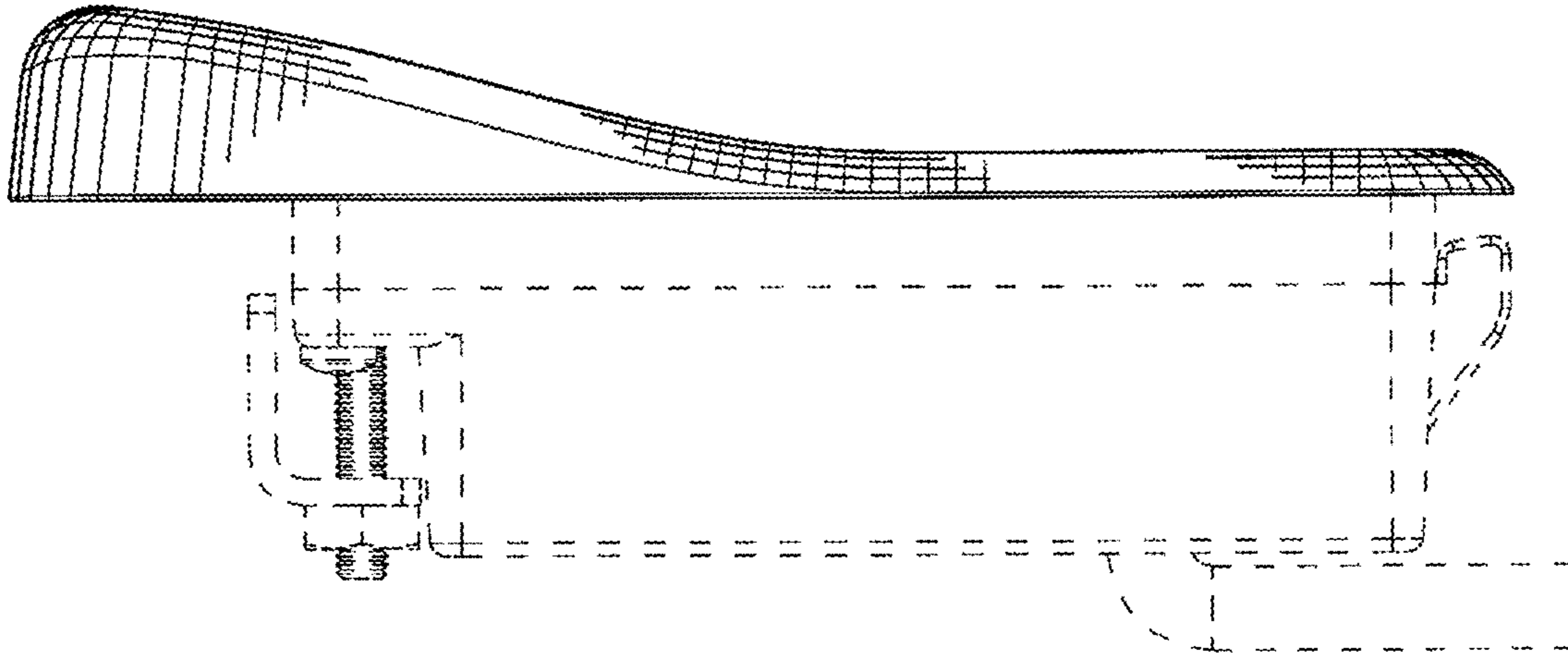


FIG.5

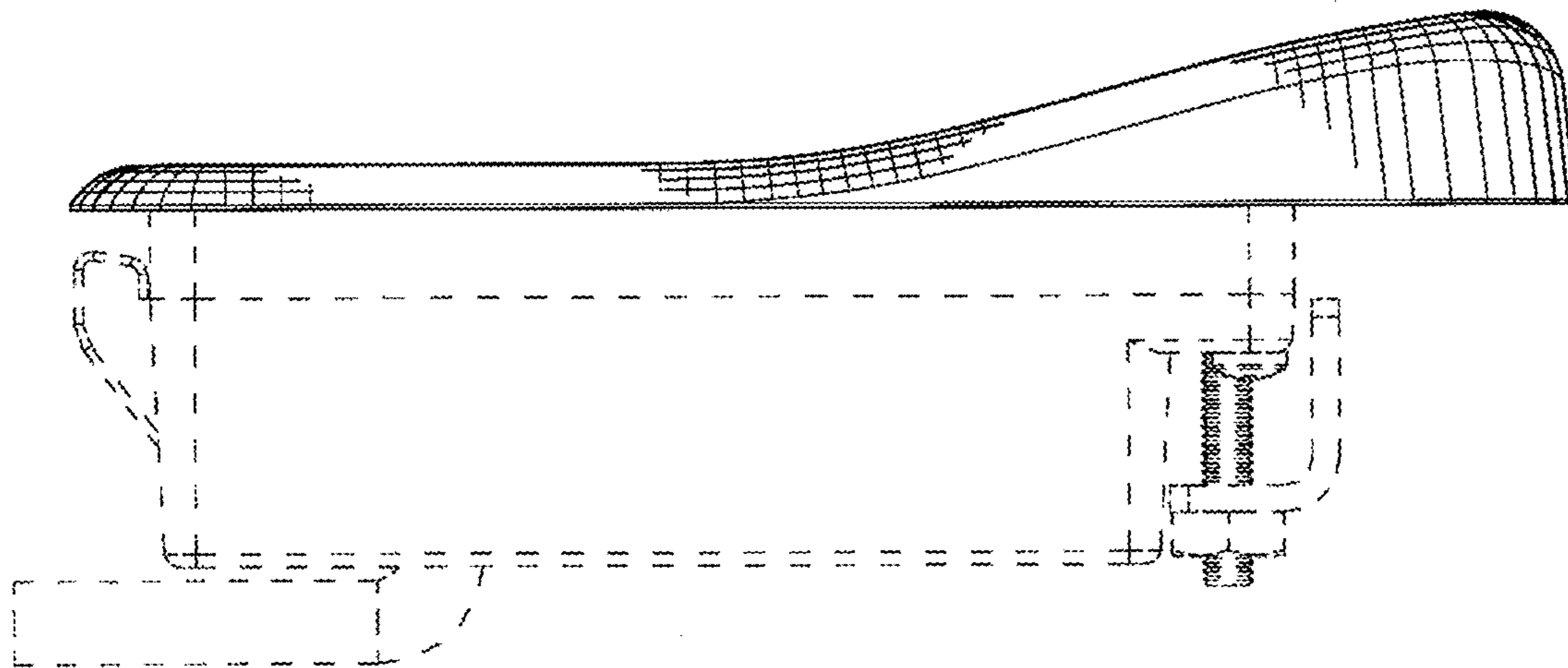


FIG.6

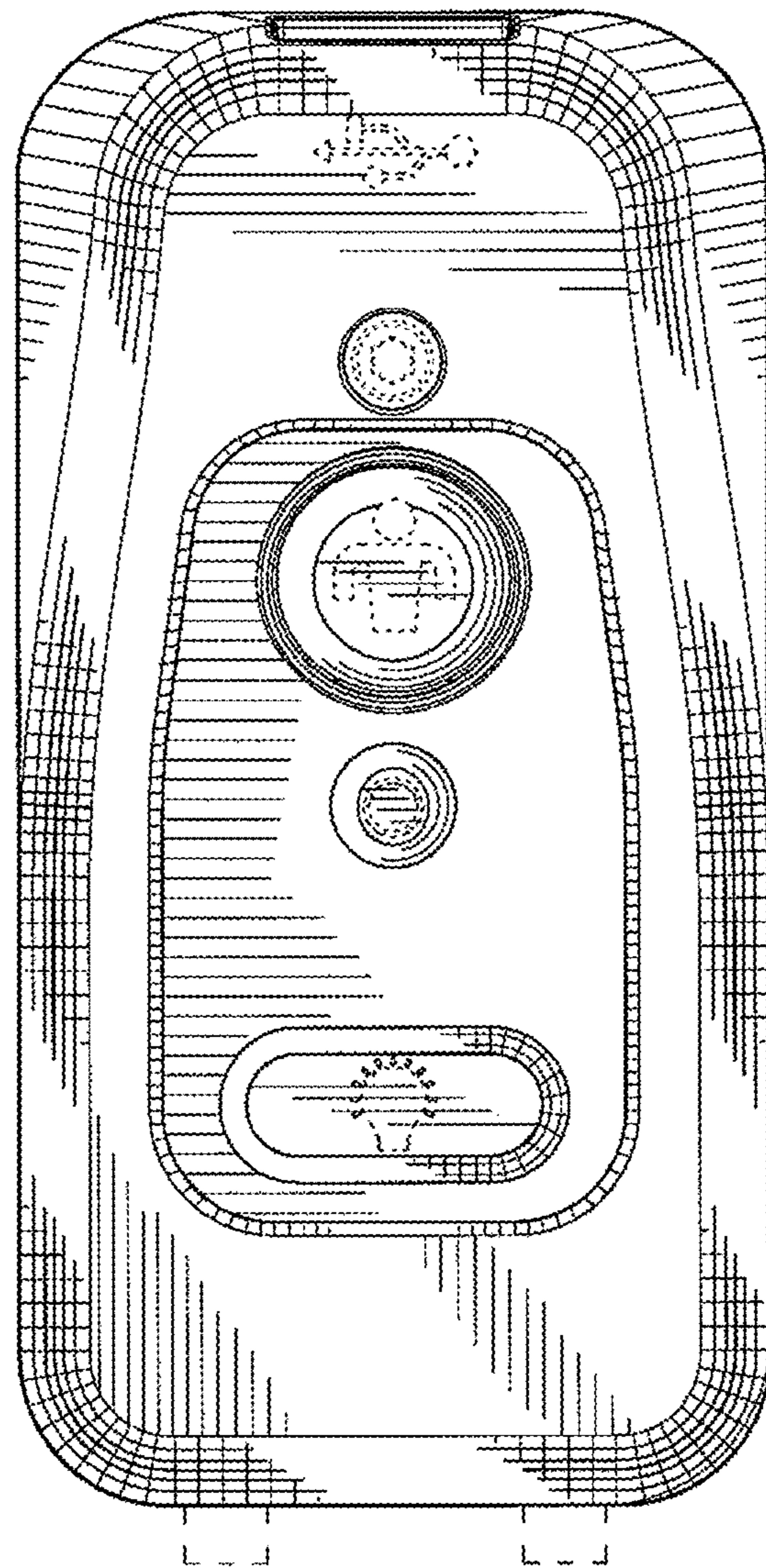


FIG.7

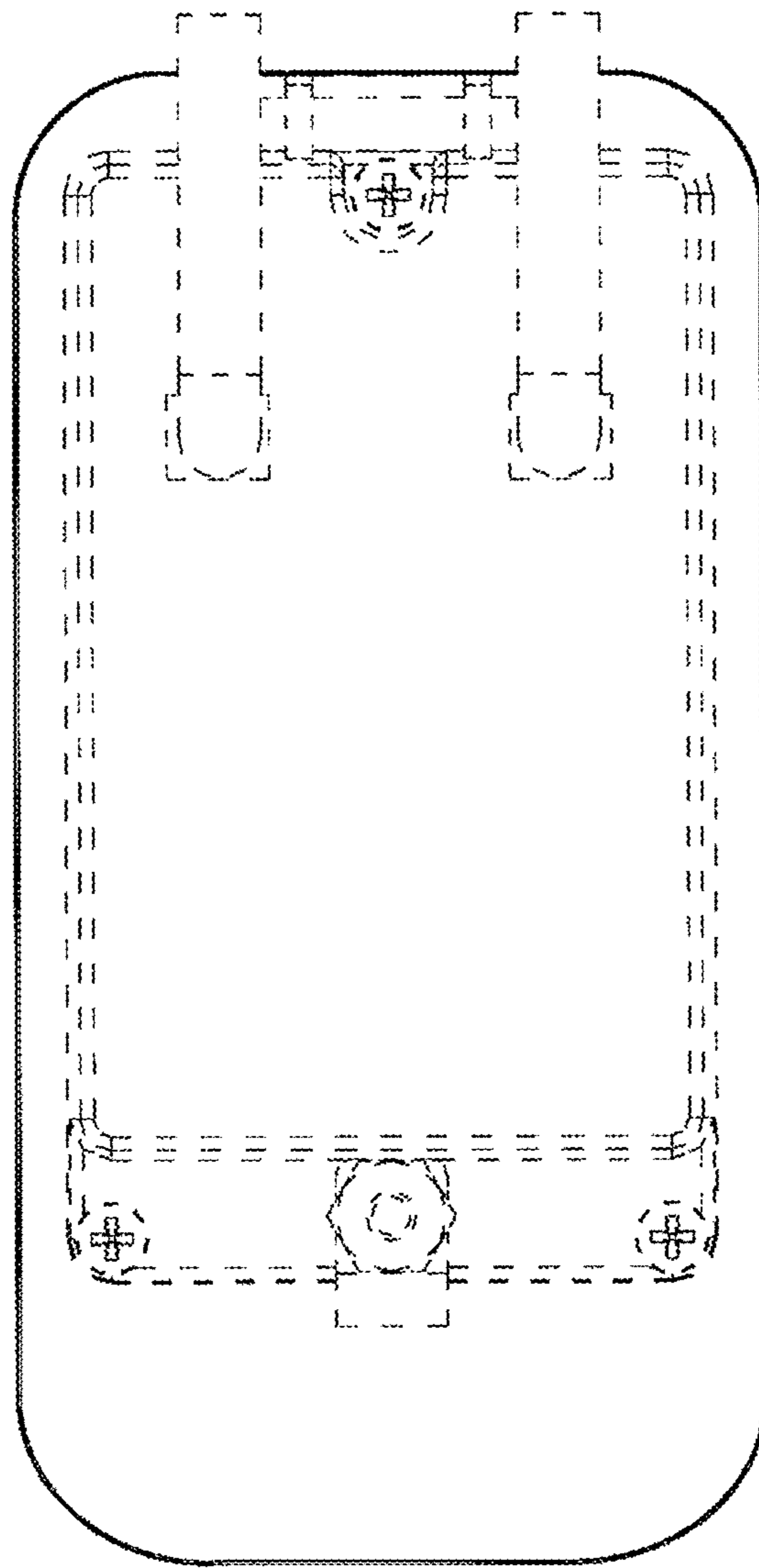


FIG.8