



US00D879008S

(12) **United States Design Patent**
Pringle

(10) **Patent No.:** **US D879,008 S**

(45) **Date of Patent:** **** Mar. 24, 2020**

(54) **LOCKABLE REMOVABLE ATTACHABLE CATALYTIC CONVERTER CAGE**

D452,694 S * 1/2002 Irie D12/194
D490,691 S * 6/2004 Buss D8/356
D625,334 S * 10/2010 Gouge D15/4

(Continued)

(71) Applicant: **Patrick C. Pringle**, Antelope, CA (US)

Primary Examiner — Sandra S Snapp

(72) Inventor: **Patrick C. Pringle**, Antelope, CA (US)

Assistant Examiner — Ieisha N Price

(**) Term: **15 Years**

(74) *Attorney, Agent, or Firm* — Craig A. Simmermon

(21) Appl. No.: **29/660,661**

(57) **CLAIM**

(22) Filed: **Aug. 22, 2018**

I claim the ornamental design for a lockable removable attachable catalytic converter cage, as shown and described.

(51) **LOC (12) Cl.** **12-06**

(52) **U.S. Cl.**

USPC **D12/223**

(58) **Field of Classification Search**

USPC D15/1, 2, 3, 4, 5; D8/349, 354, 382;
D12/400, 159, 160, 216, 222, 223

CPC F01N 3/28; F01N 3/2803; F01N 13/1805;
F01N 13/1855; F01N 2260/22; F01N 2260/00;
F01N 2450/24; F01N 2450/08; Y02A 50/232;
Y02A 50/2322; F16L 3/00; F16L 23/036;
B60R 2011/0042

See application file for complete search history.

DESCRIPTION

FIG. 1 is a top, front and right perspective view of a lockable removable attachable catalytic converter cage showing my new design;

FIG. 2 is a right side elevation view thereof;

FIG. 3 is a top plan view thereof;

FIG. 4 is a left side elevation view thereof;

FIG. 5 is a bottom plan view thereof;

FIG. 6 is a front elevation view thereof;

FIG. 7 is a rear elevation view thereof;

FIG. 8 is a left, bottom and front perspective view thereof showing environmental items;

FIG. 9 is a top, front and right perspective view of a second embodiment of my design;

FIG. 10 is a right side elevation view thereof;

FIG. 11 is a top plan view thereof;

FIG. 12 is a left side elevation view thereof;

FIG. 13 is a bottom plan view thereof;

FIG. 14 is a front elevation view thereof;

FIG. 15 is a rear elevation view thereof; and,

FIG. 16 is a left, bottom and front perspective view thereof showing environmental items.

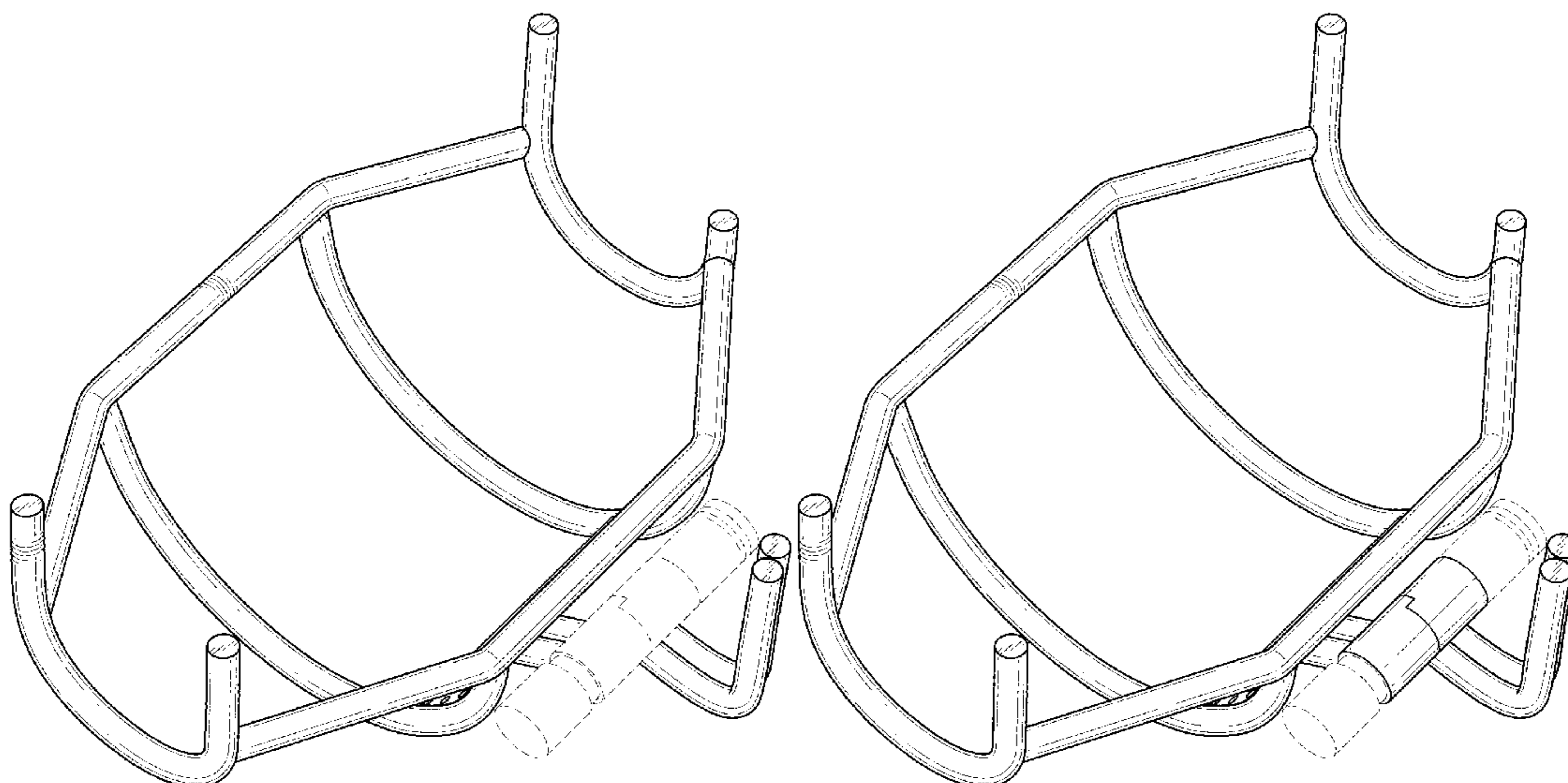
The broken lines shown in the drawings illustrates the environment of the claimed design and forms no part thereof.

(56) **References Cited**

U.S. PATENT DOCUMENTS

- 3,199,815 A * 8/1965 Martinkovic F01N 13/1805
248/59
- 4,215,093 A * 7/1980 Yasuda F01N 3/2853
29/890
- D257,353 S * 10/1980 Fogolin D15/4
- D265,308 S * 7/1982 Zimmer, Jr. 180/69.1
- D277,843 S * 3/1985 Gilbreath D12/317
- 4,615,500 A * 10/1986 Layson F01N 3/28
248/62
- 5,073,353 A * 12/1991 Florian F01N 3/28
422/310
- 5,108,716 A * 4/1992 Nishizawa B01D 53/945
422/171
- 5,169,604 A * 12/1992 Crothers, Jr. F01N 3/2853
422/177
- D371,228 S * 6/1996 Monin D30/121

1 Claim, 10 Drawing Sheets



(56)

References Cited

U.S. PATENT DOCUMENTS

7,919,052 B2 * 4/2011 Ahmed B01D 53/8631
422/179
8,544,802 B2 * 10/2013 Bigham H02G 3/30
174/491
D692,838 S * 11/2013 Winn H02G 3/0443
D13/155
8,963,699 B2 * 2/2015 Potter B60R 25/20
248/551
D809,908 S * 2/2018 Sung D8/394
2005/0218270 A1 * 10/2005 Doverspike F16L 1/09
248/65
2011/0036130 A1 * 2/2011 Hisler F01N 3/28
70/57.1
2016/0047289 A1 * 2/2016 Novacek B60K 13/04
180/309
2016/0149386 A1 * 5/2016 Stechmann H02G 3/32
248/68.1
2017/0159880 A1 * 6/2017 Stechmann F16M 13/022

* cited by examiner

FIG. 1

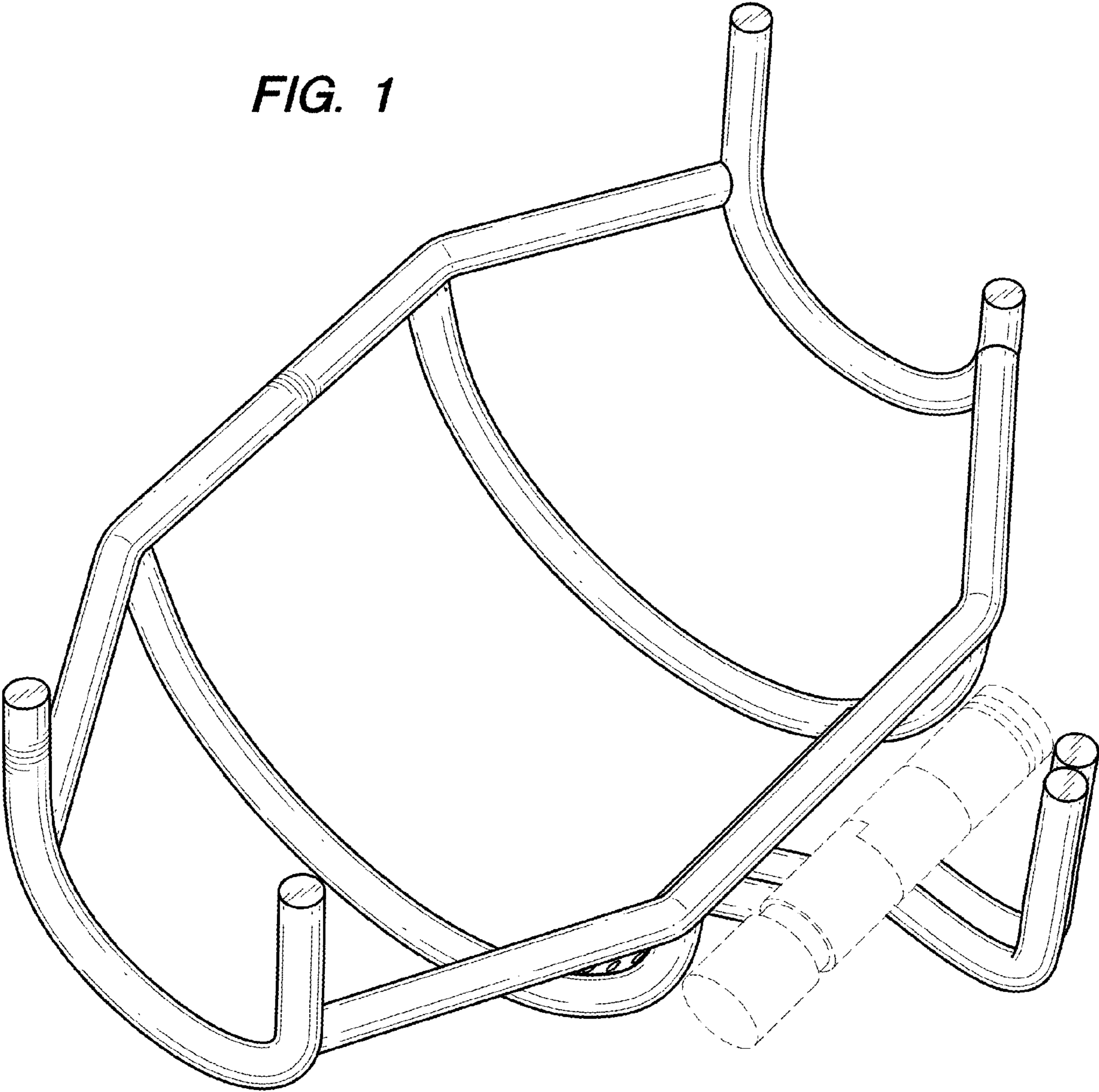


FIG. 2

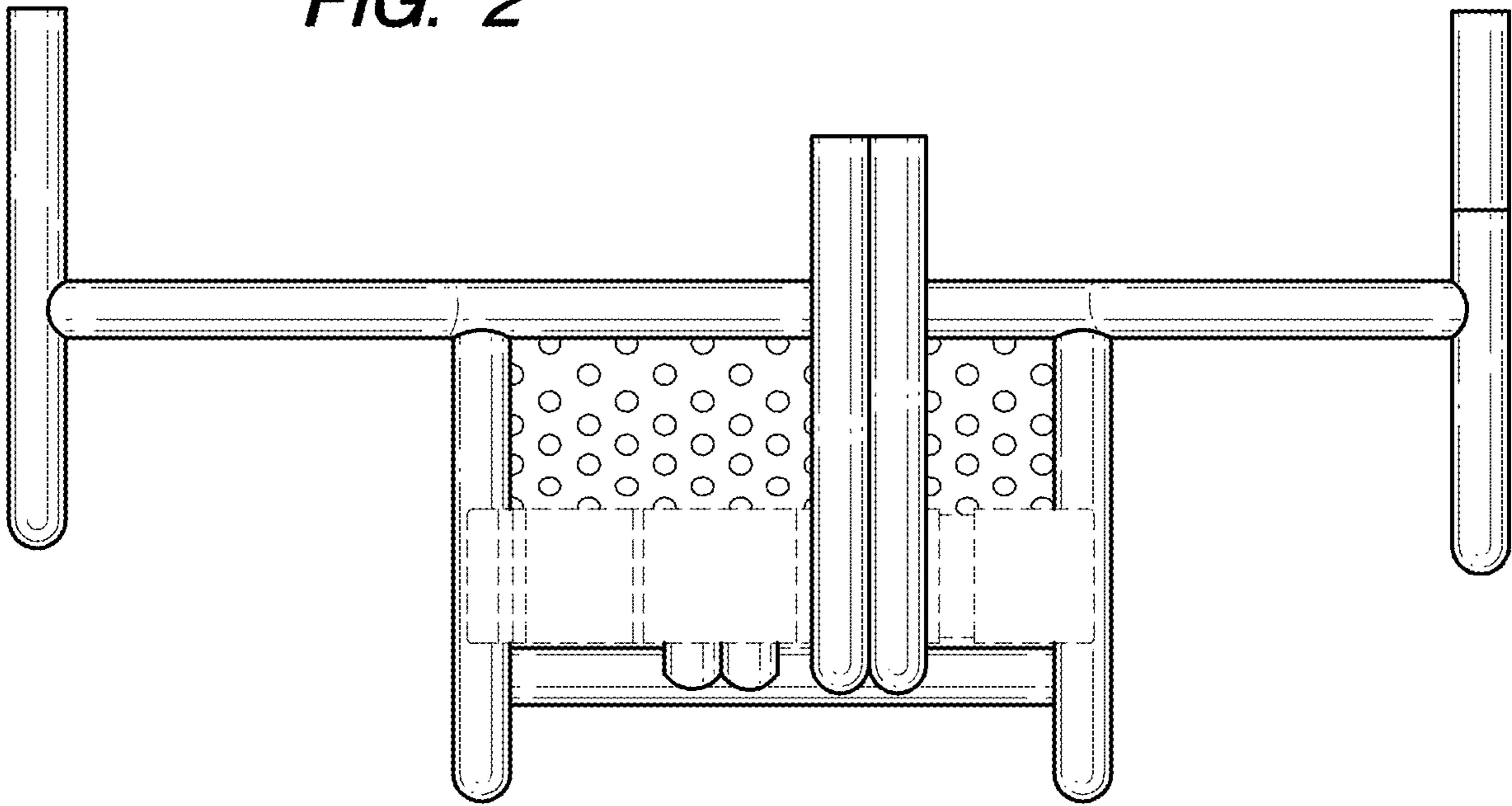


FIG. 3

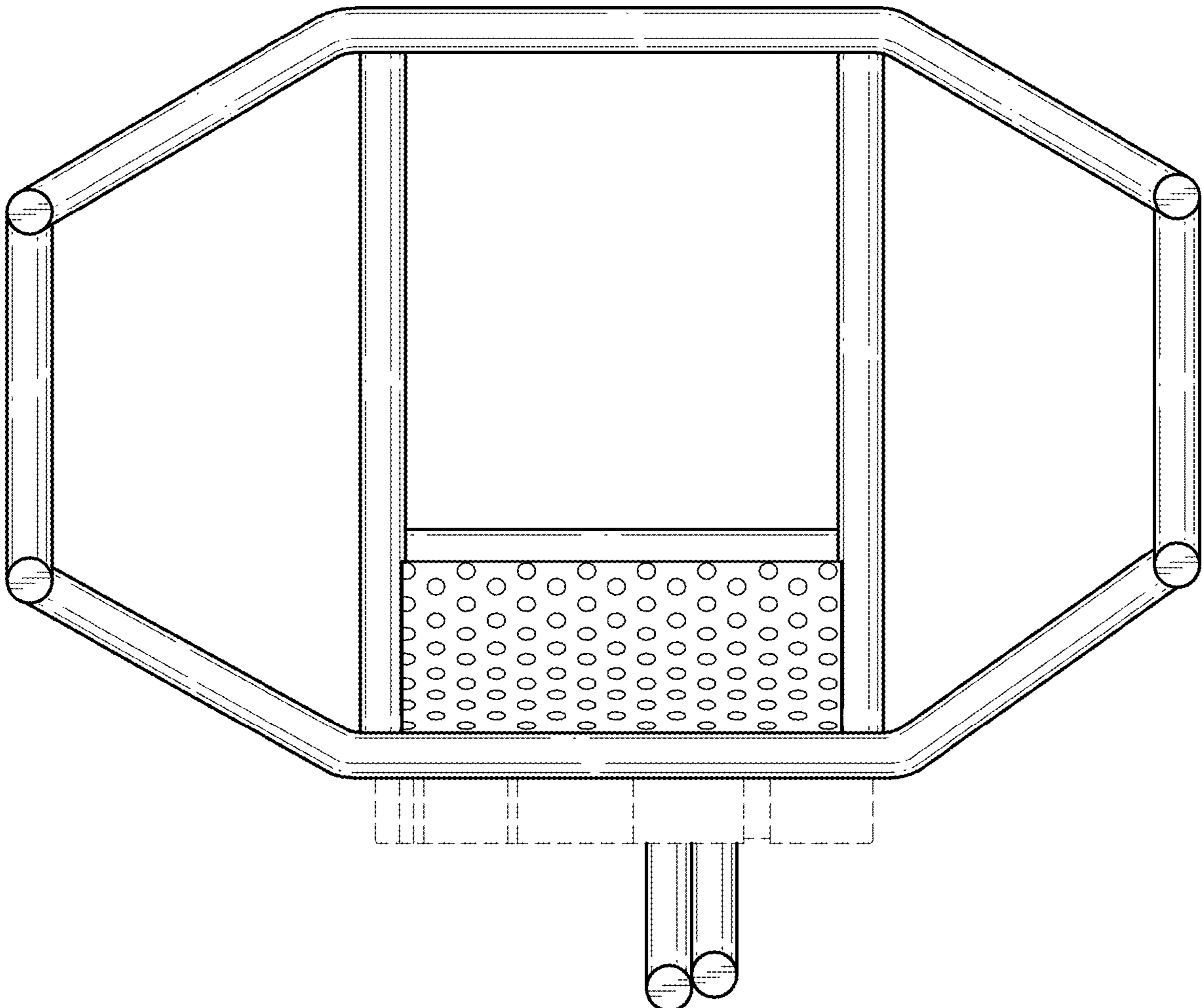


FIG. 4

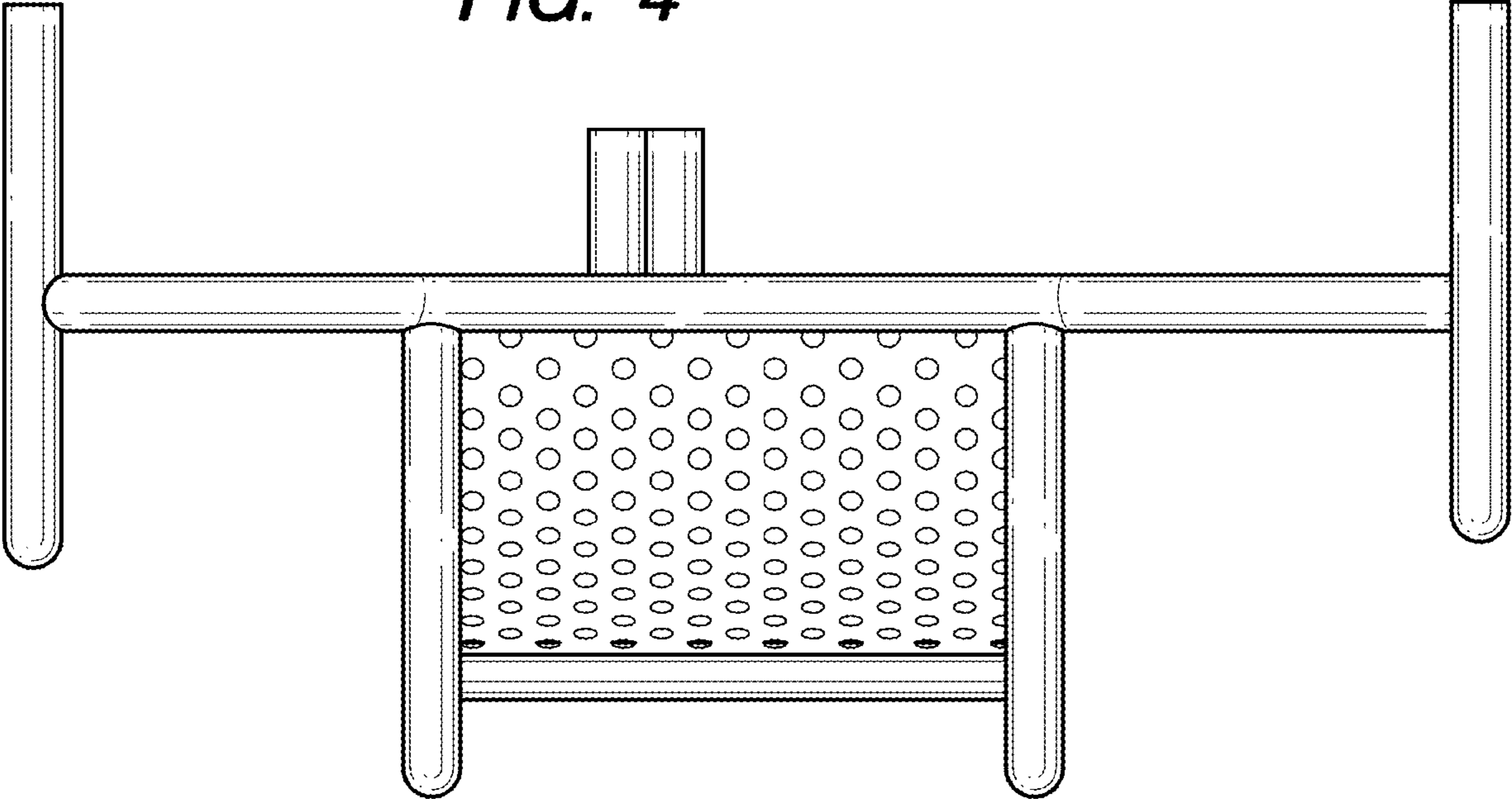


FIG. 5

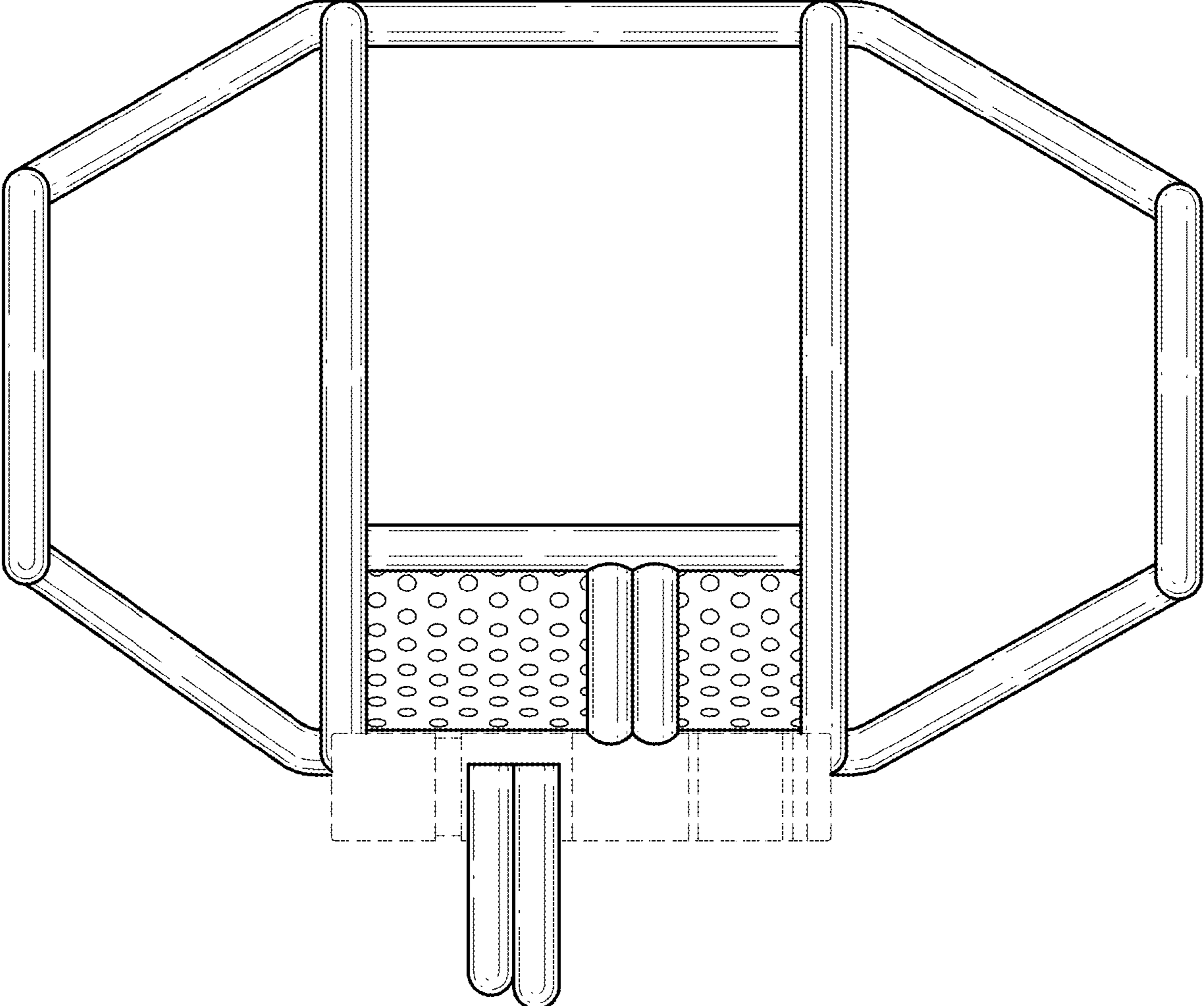


FIG. 6

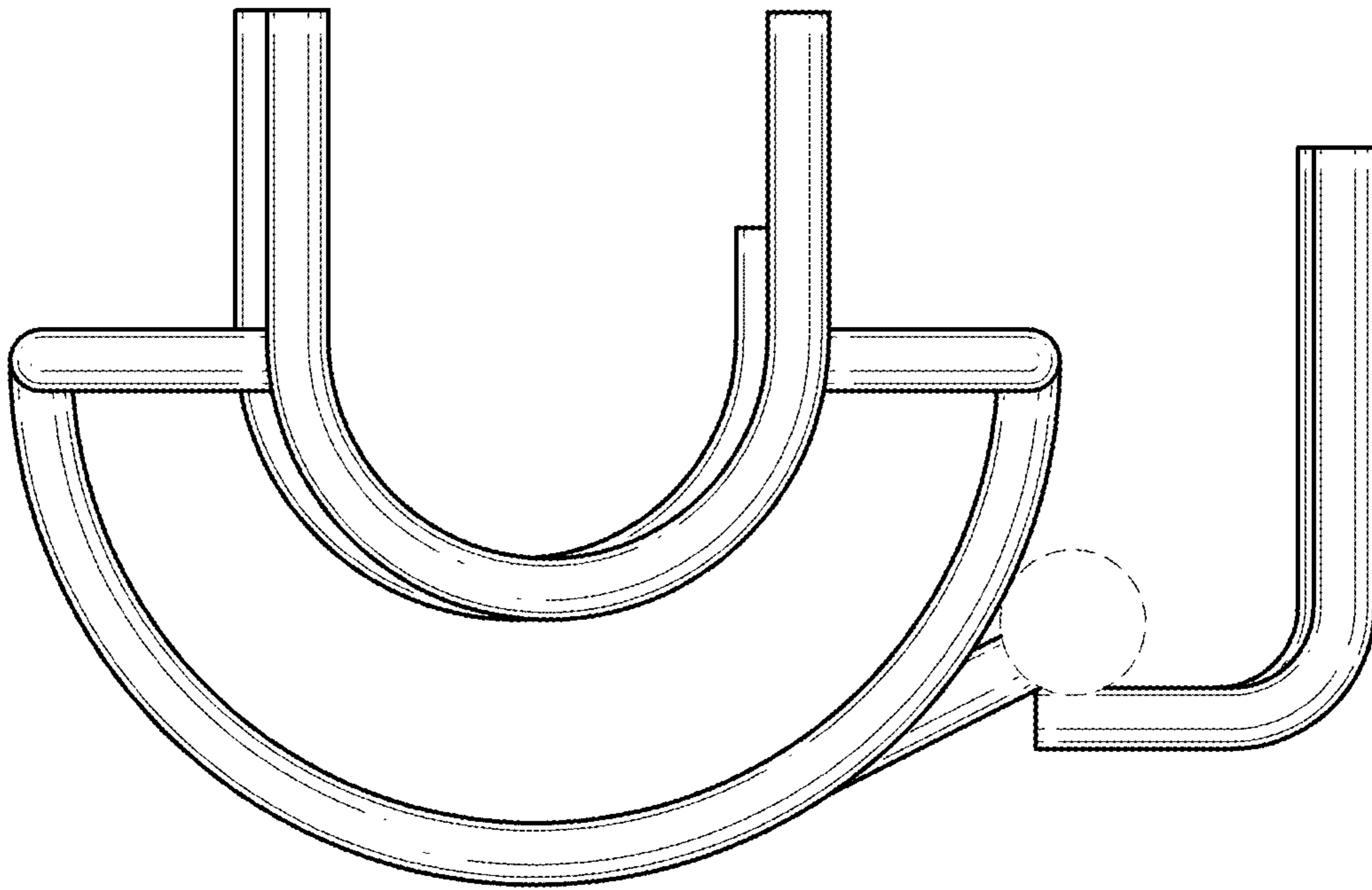
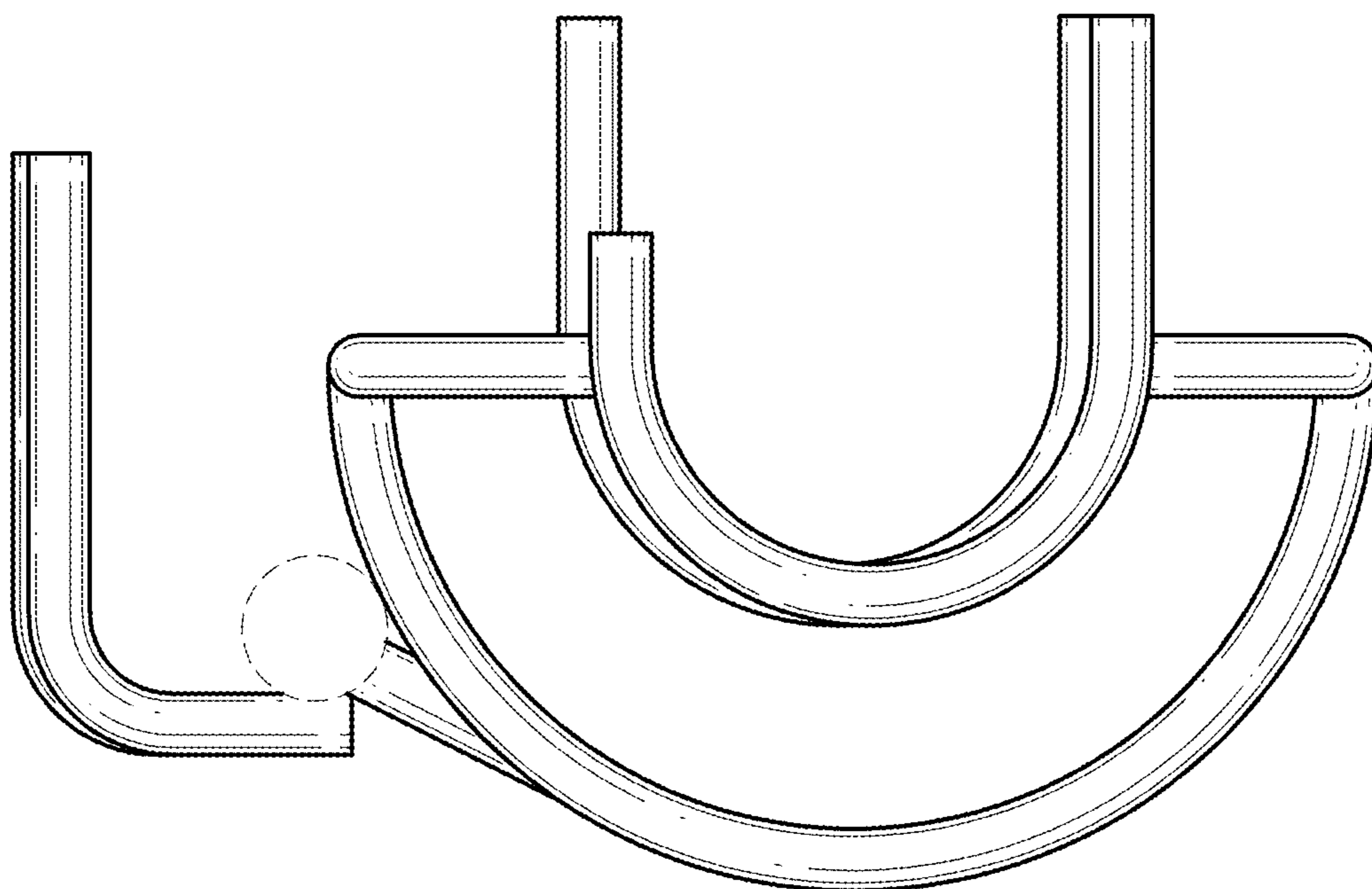


FIG. 7



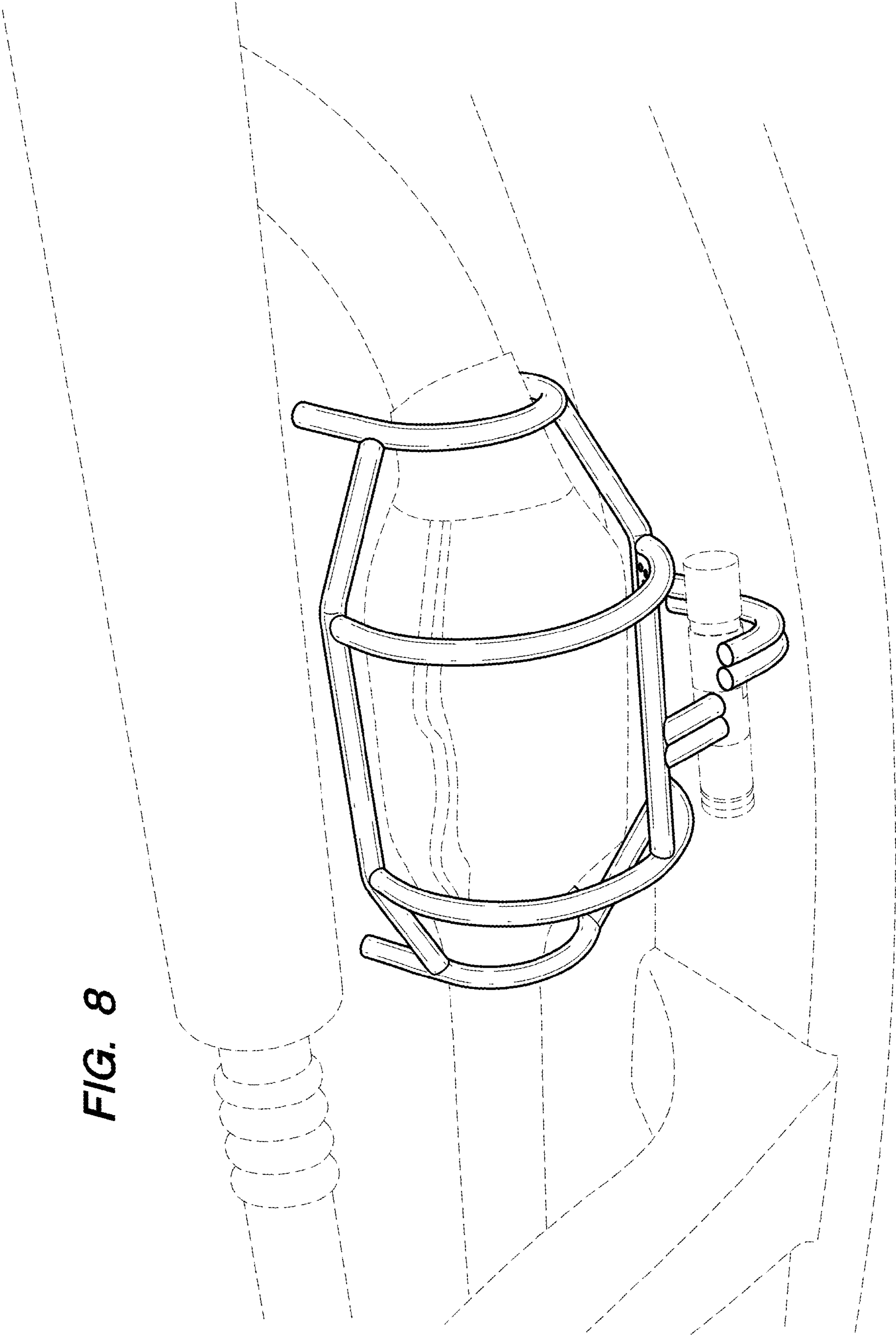


FIG. 8

FIG. 9

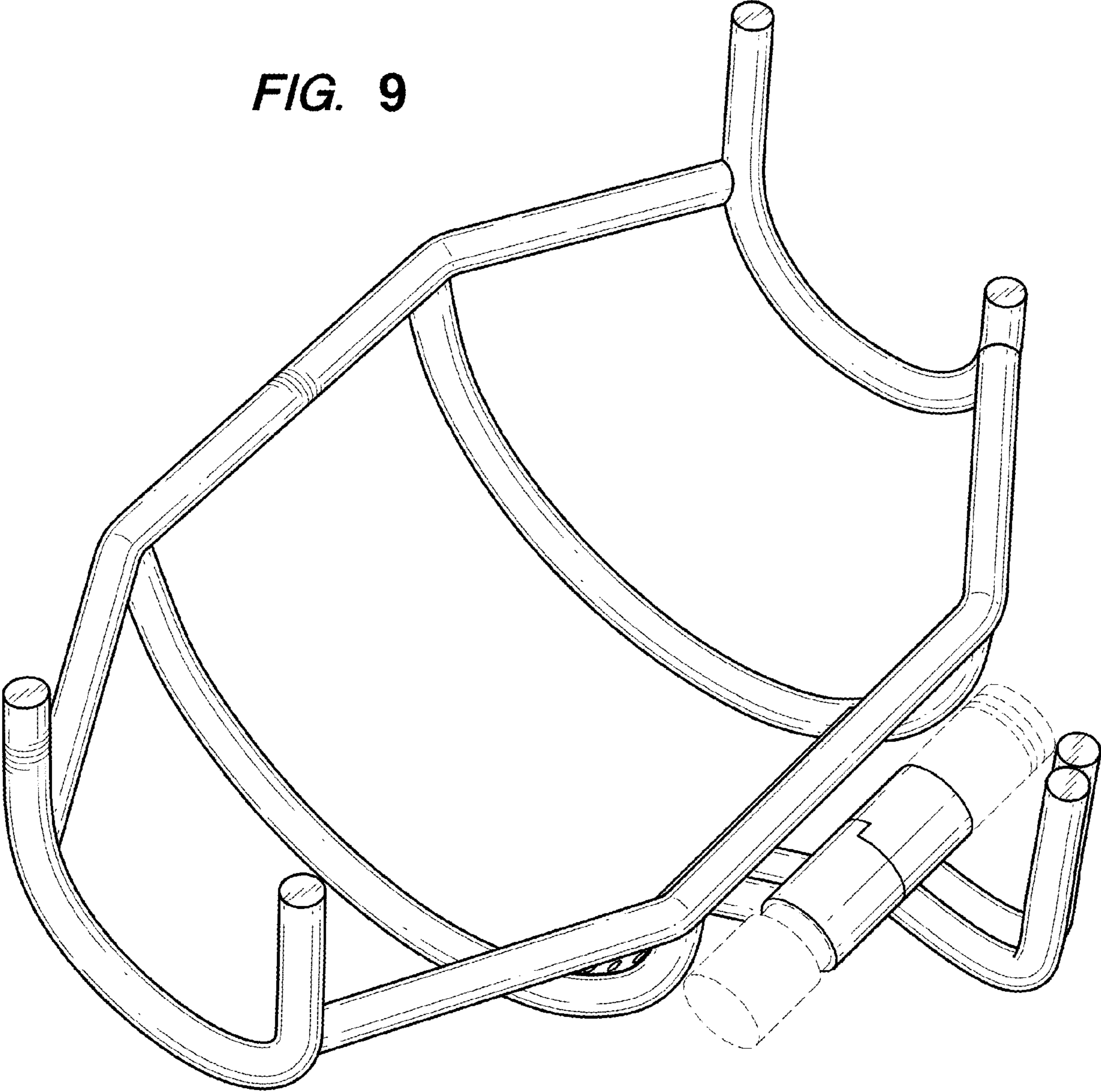


FIG. 10

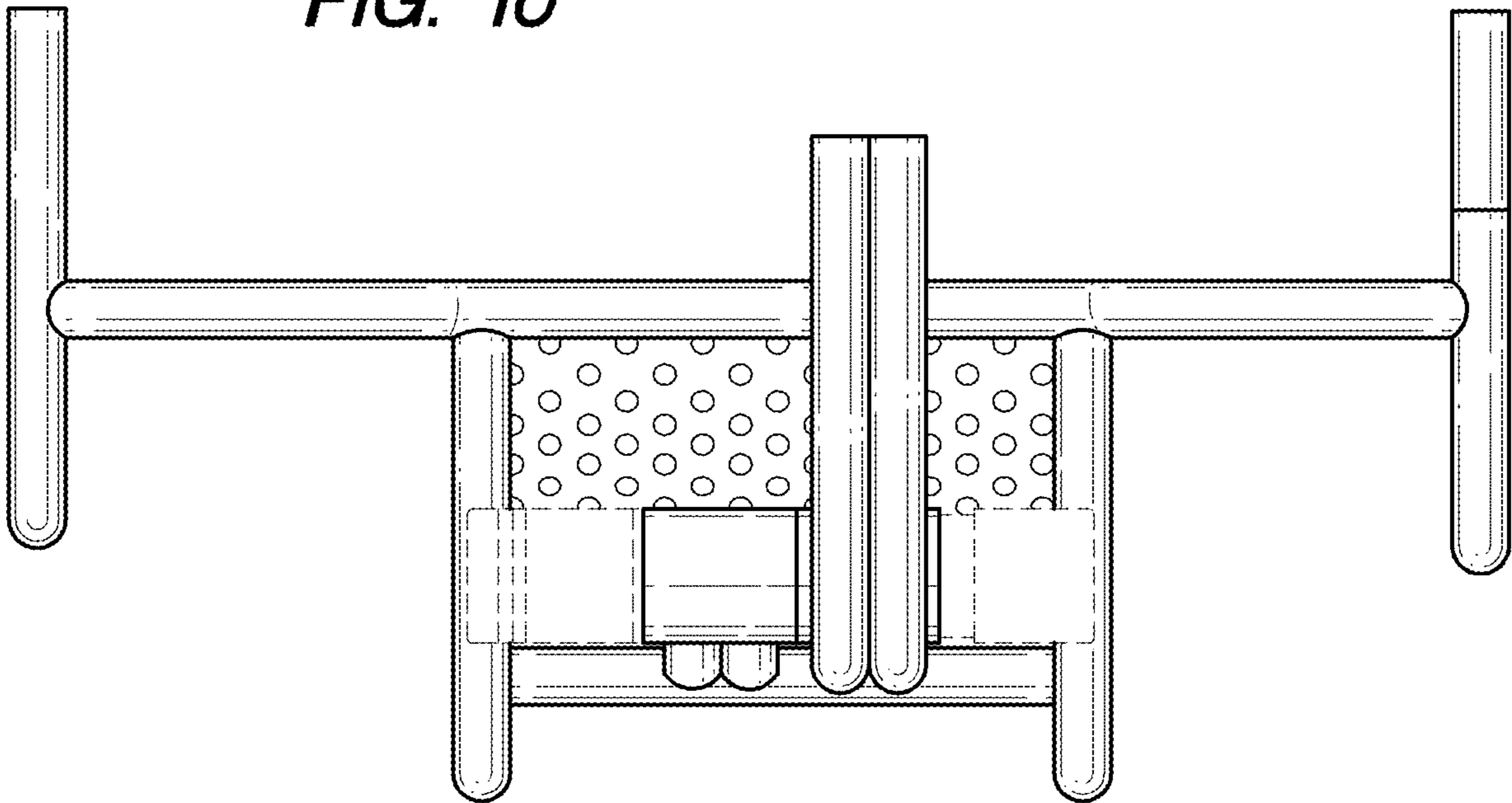


FIG. 11

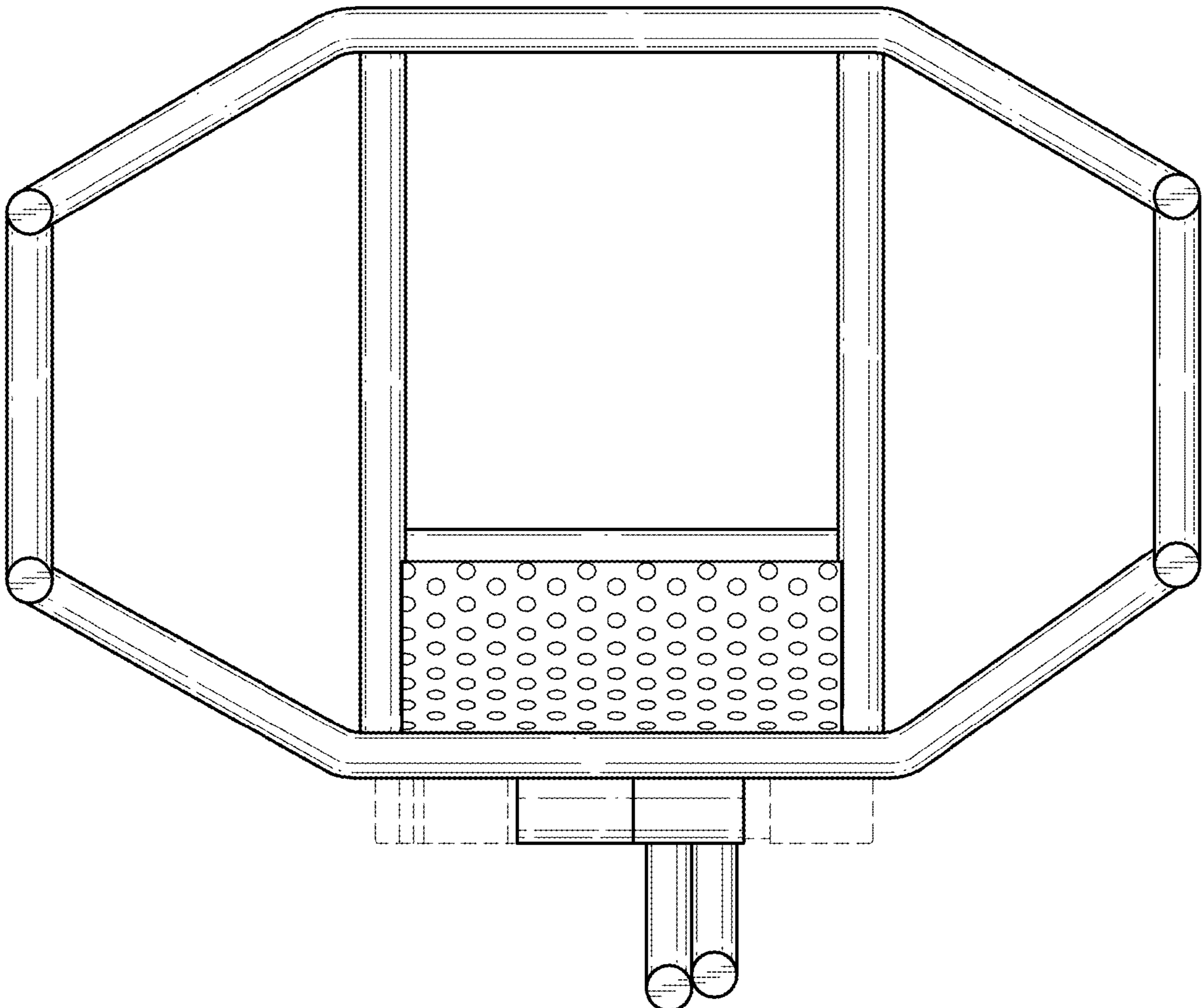


FIG. 12

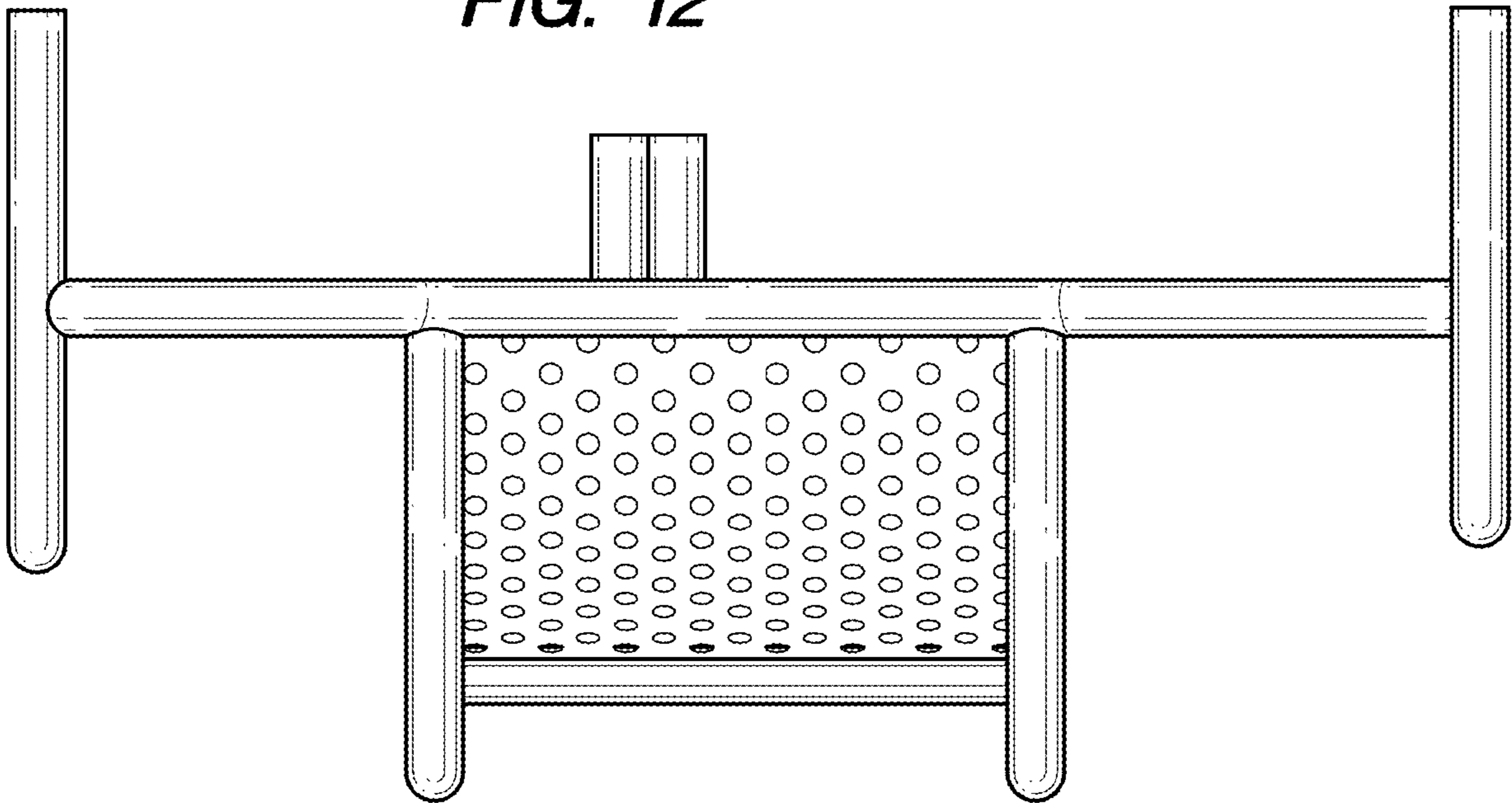


FIG. 13

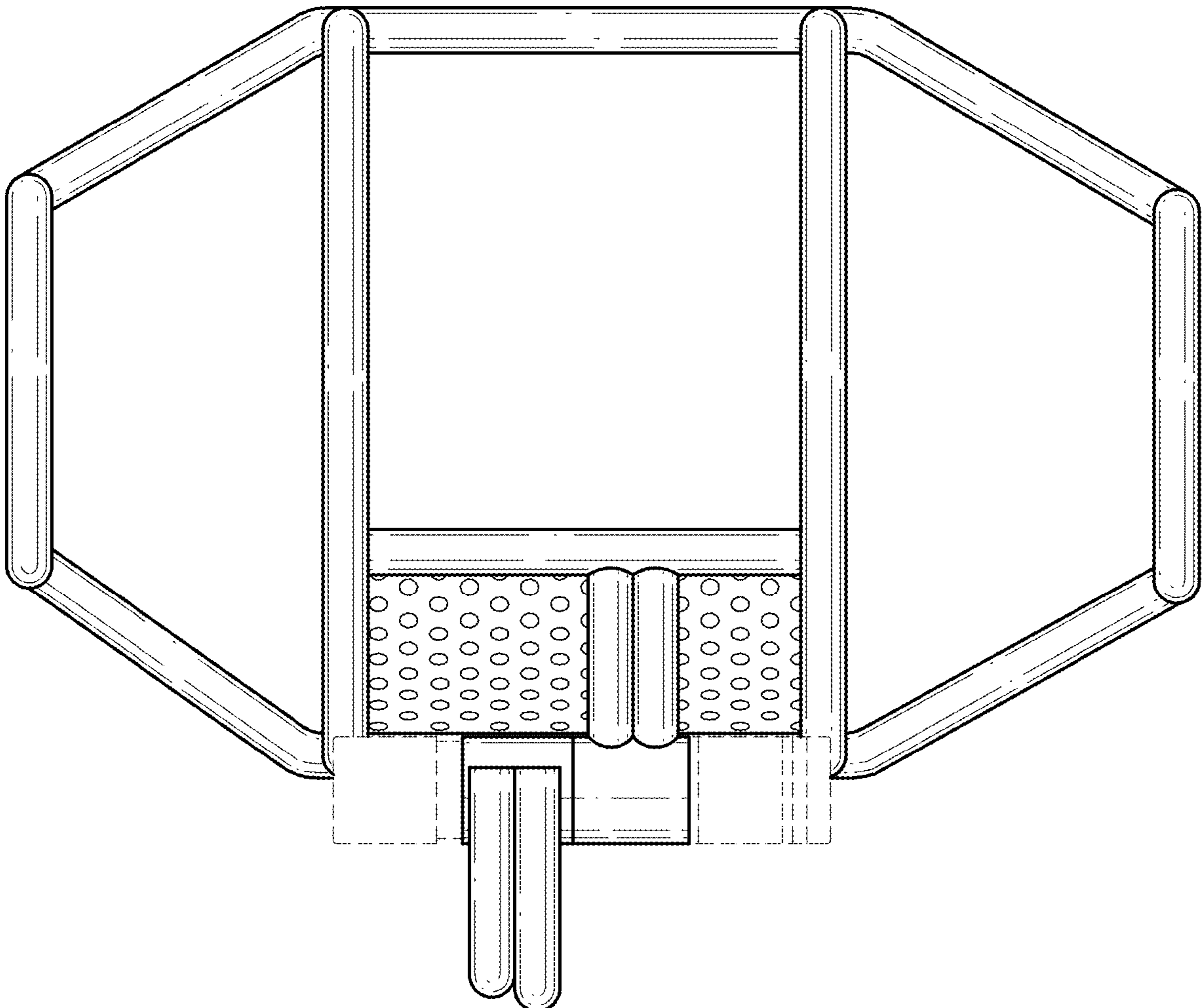


FIG. 14

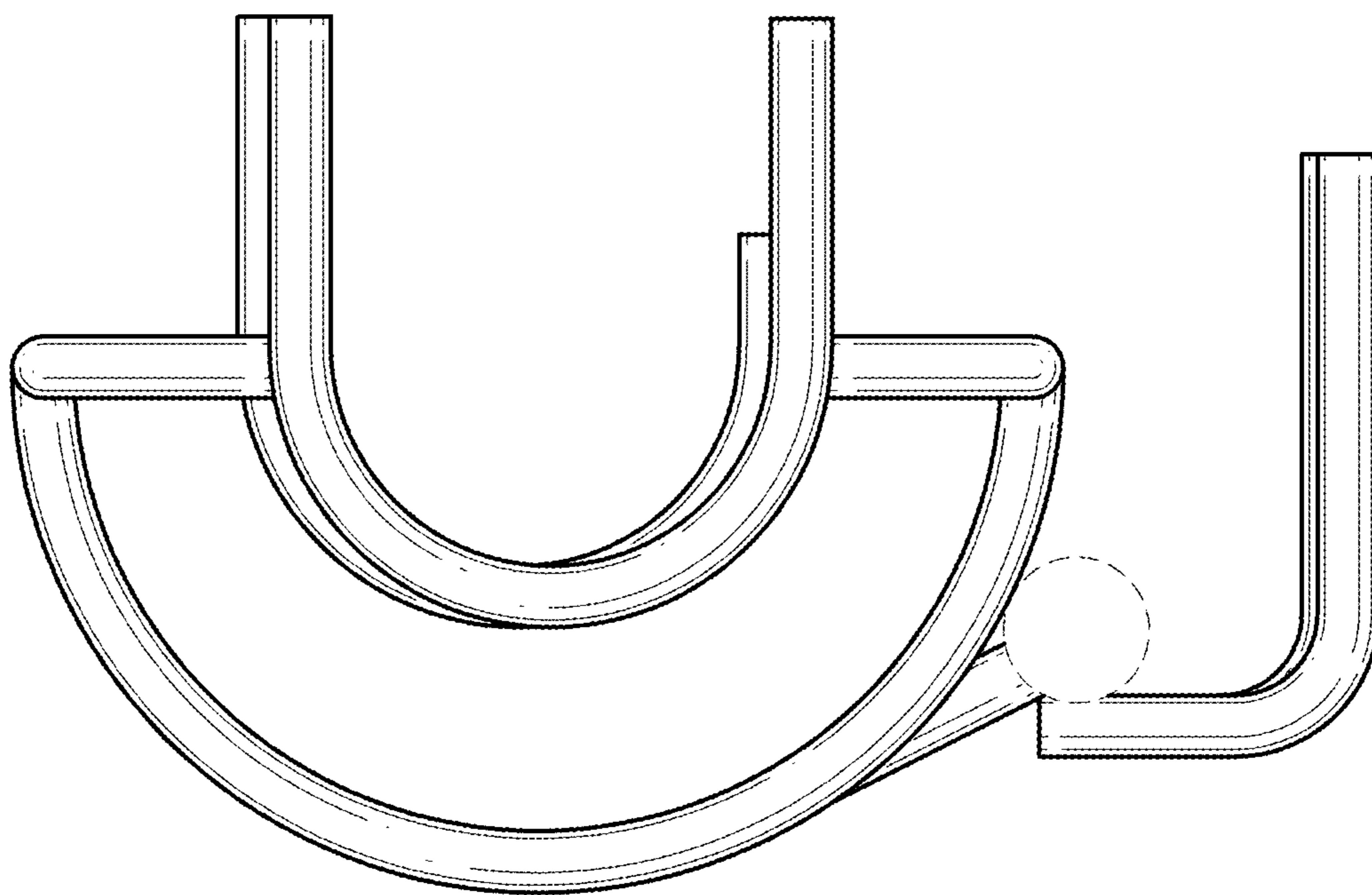
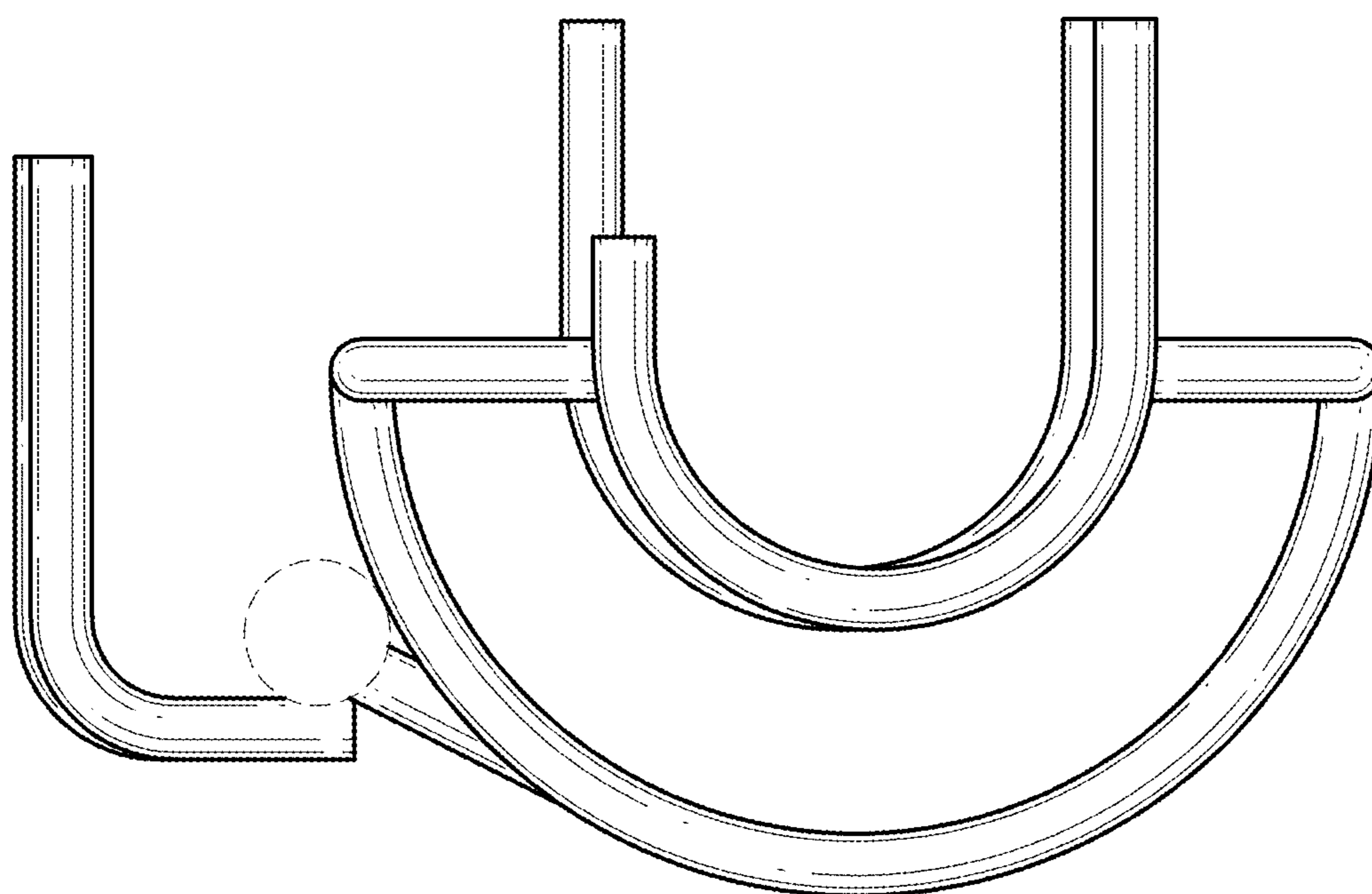


FIG. 15



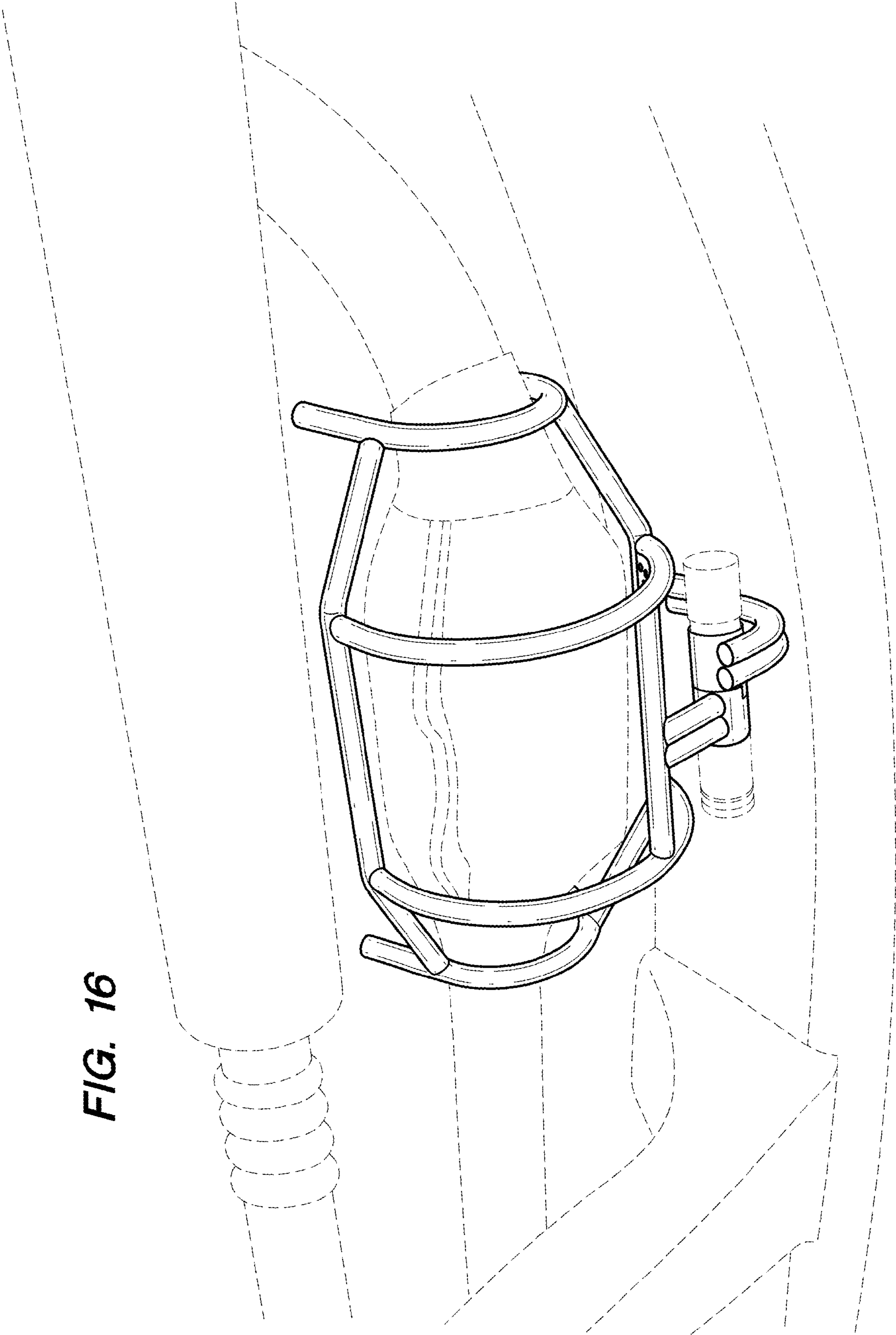


FIG. 16