



US00D879002S

(12) **United States Design Patent**
Daniel

(10) **Patent No.:** **US D879,002 S**
(45) **Date of Patent:** **** Mar. 24, 2020**

- (54) **VEHICLE WHEEL RIM**
- (71) Applicant: **AUDI AG**, Ingolstadt (DE)
- (72) Inventor: **Tünde Daniel**, Ingolstadt (DE)
- (73) Assignee: **AUDI AG**, Ingolstadt (DE)
- (**) Term: **15 Years**
- (21) Appl. No.: **29/678,695**
- (22) Filed: **Jan. 30, 2019**

D671,475 S *	11/2012	Juergens	D12/209
D685,709 S *	7/2013	Hanaoka	D12/209
D709,427 S *	7/2014	Clottu	D12/209
D755,692 S *	5/2016	Nakahara	D12/209
D756,878 S *	5/2016	Valencia Pollex	D12/209
D759,566 S *	6/2016	Valencia Pollex	D12/211
D763,158 S *	8/2016	Hara	D12/209
D788,003 S *	5/2017	Conforzi	D12/209
D822,574 S *	7/2018	Rucigaj	D12/209
D826,826 S *	8/2018	Back	D12/209
D837,714 S *	1/2019	Beaven	D12/209
D838,224 S *	1/2019	Valencia Pollex	D12/209
D847,071 S *	4/2019	Kawaguchi	D12/209
D860,910 S *	9/2019	Daniel	D12/209
D862,342 S *	10/2019	LeFranc	D12/209

(30) **Foreign Application Priority Data**

Oct. 11, 2018 (EM) 005796232

(51) **LOC (12) Cl.** **12-16**

(52) **U.S. Cl.**
USPC **D12/209**

(58) **Field of Classification Search**
USPC D12/204-213; D21/563
CPC B60B 7/00; B60B 7/02; B60B 7/04; B60B 7/01; B60B 7/06; B60B 3/02; B60B 3/04; B60B 3/06; B60B 3/10; B60B 1/00; B60B 1/08; B60B 1/10; B60B 1/12
See application file for complete search history.

(56) **References Cited**

U.S. PATENT DOCUMENTS

D455,991 S *	4/2002	Kaucher	D12/209
D664,488 S *	7/2012	Guille	D12/209

* cited by examiner

Primary Examiner — Stacia A Cadmus

(74) *Attorney, Agent, or Firm* — Lucas & Mercanti, LLP; Klaus P. Stoffel

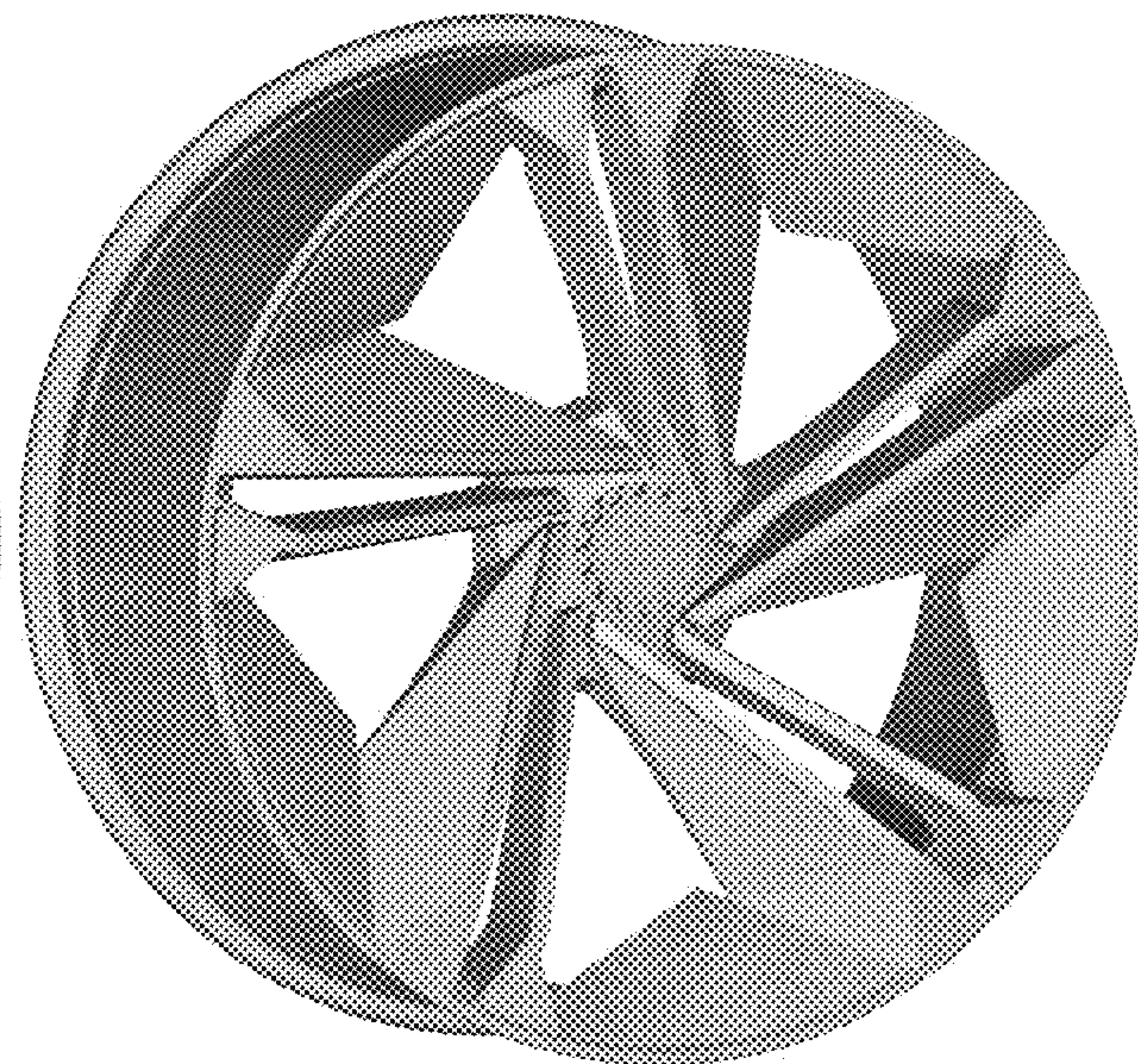
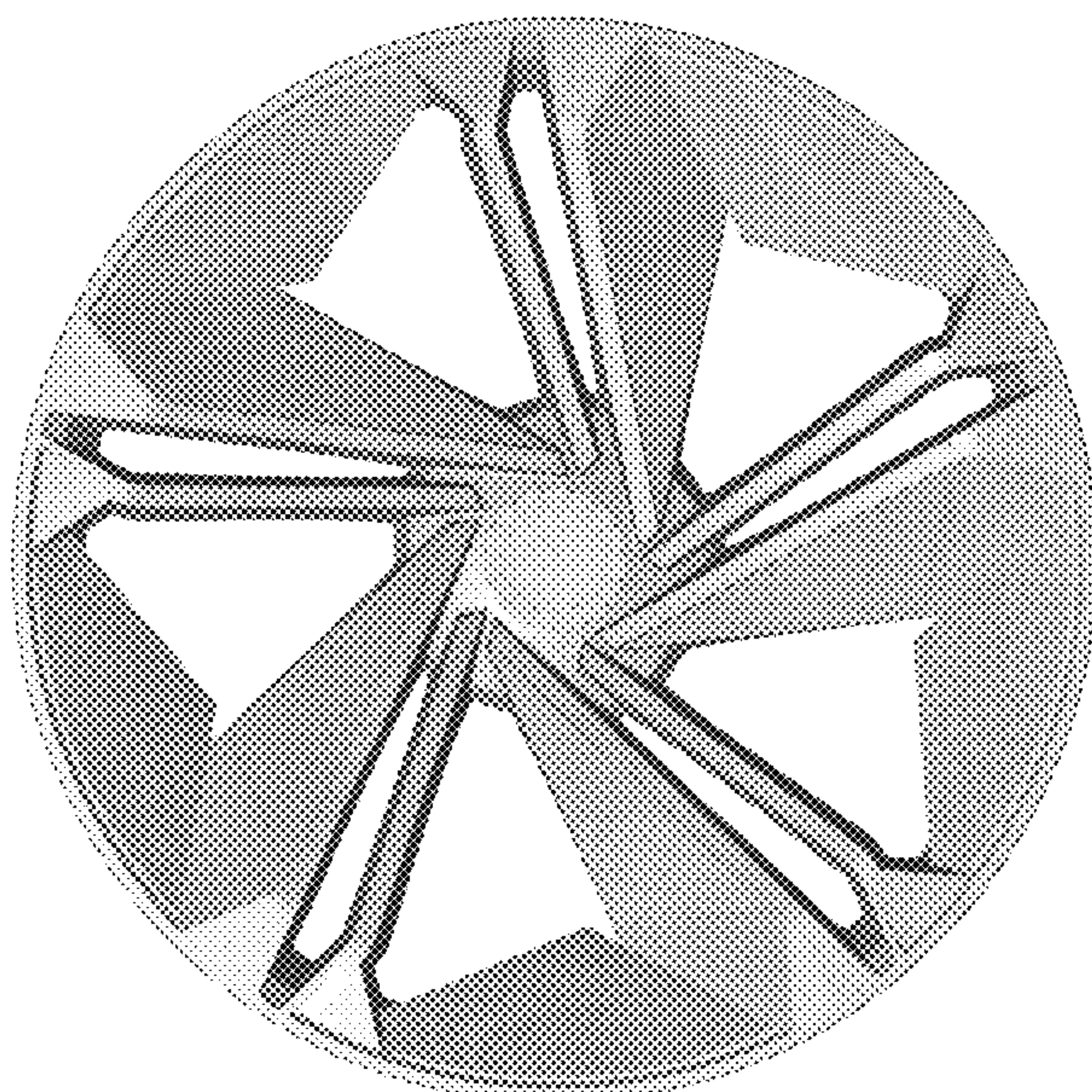
(57) **CLAIM**

The ornamental design for a vehicle wheel rim, as shown and described.

DESCRIPTION

FIG. 1 is a front view of the vehicle wheel rim of the present invention; and, FIG. 2 is a front, side perspective view thereof.

1 Claim, 2 Drawing Sheets



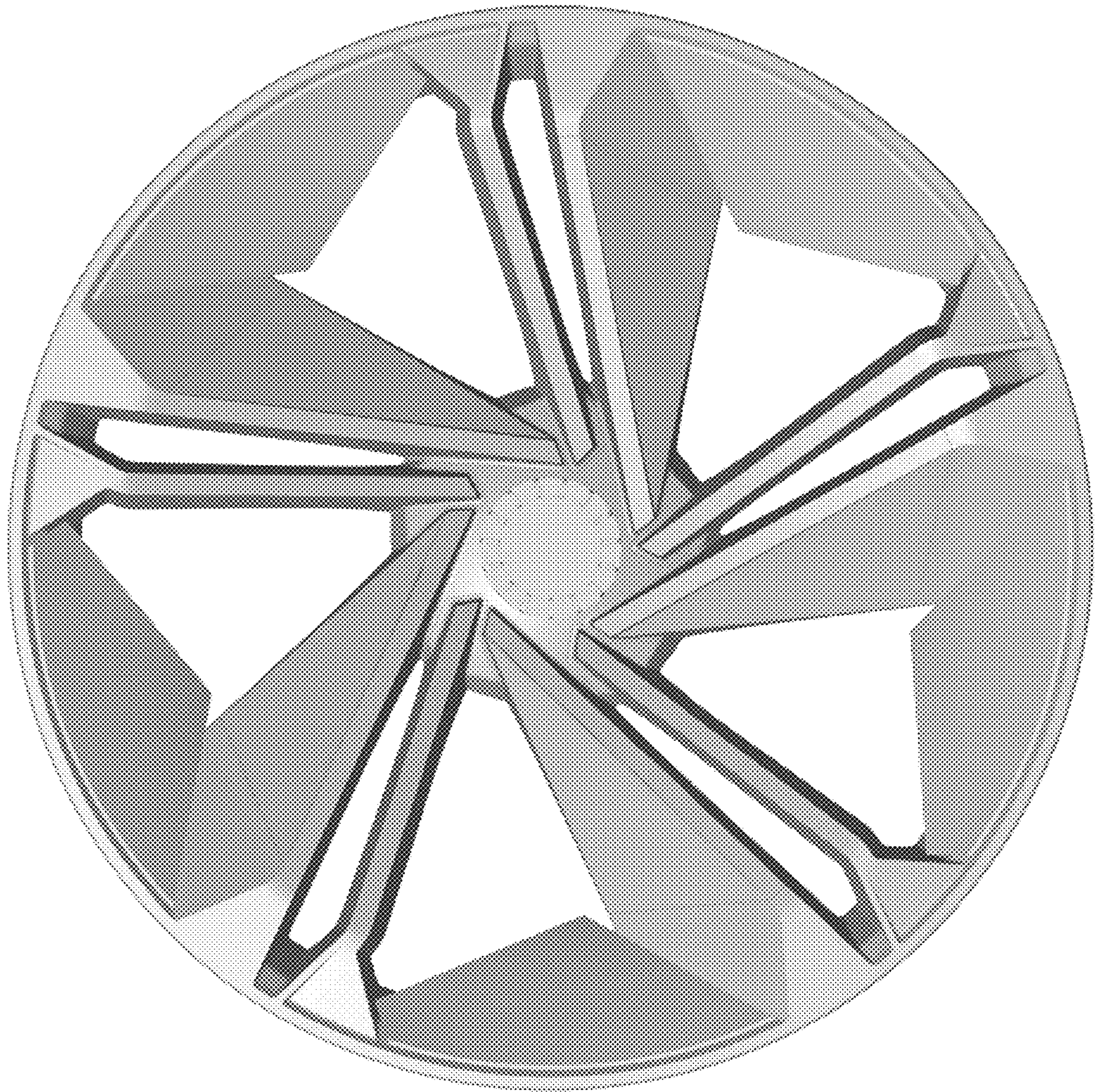


Fig. 1

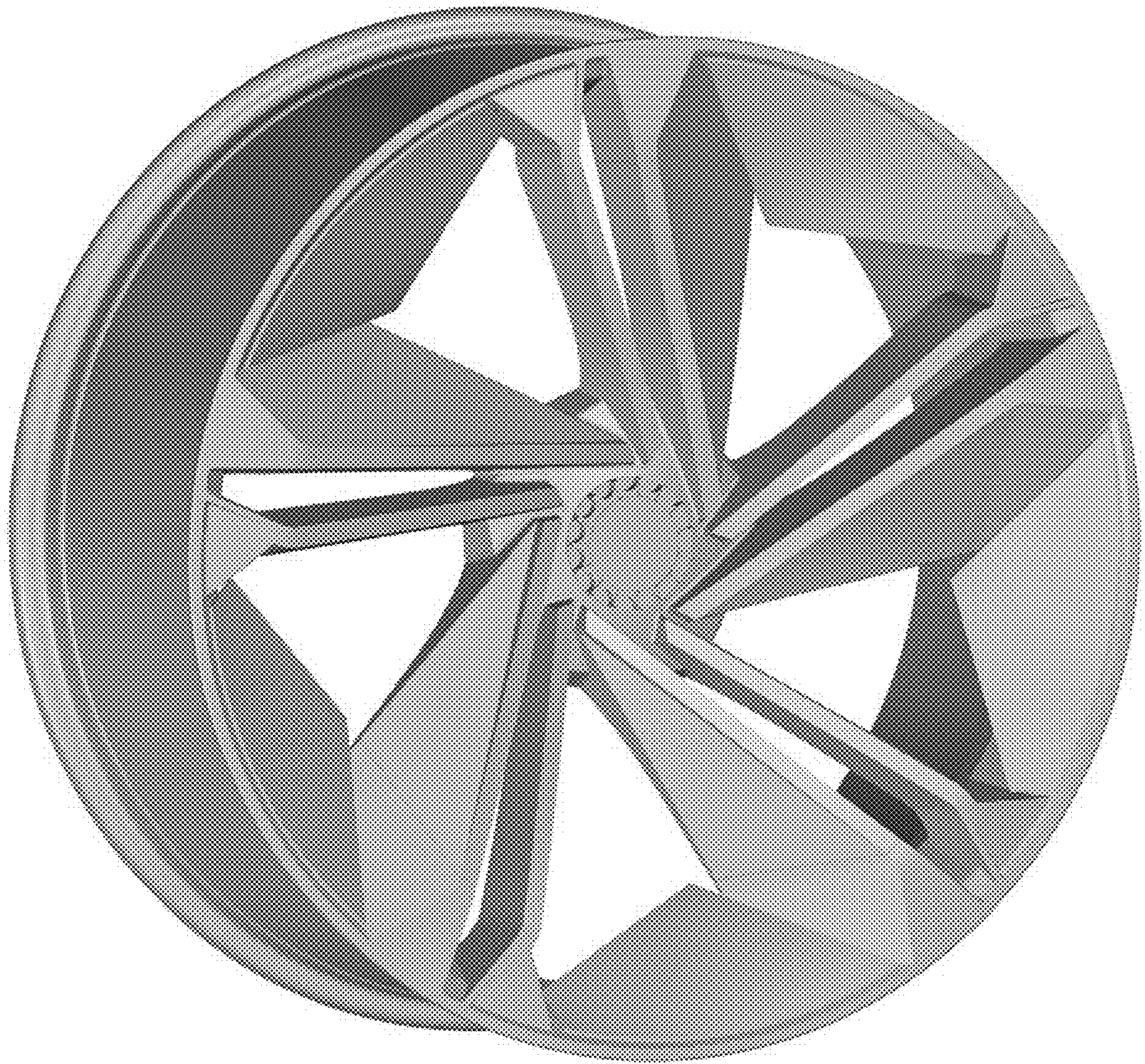


Fig. 2