



US00D878992S

(12) **United States Design Patent**  
**Yeh**

(10) **Patent No.:** **US D878,992 S**

(45) **Date of Patent:** **\*\* Mar. 24, 2020**

- (54) **WHEEL FRONT FACE**
- (71) Applicant: **Bruce Yeh**, Ontario, CA (US)
- (72) Inventor: **Bruce Yeh**, Ontario, CA (US)
- (73) Assignee: **WHEEL GROUP HOLDINGS, LLC**,  
Ontario (CA)
- (\*\*) Term: **15 Years**
- (21) Appl. No.: **29/627,807**
- (22) Filed: **Nov. 29, 2017**
- (51) **LOC (12) Cl.** ..... **12-16**
- (52) **U.S. Cl.**  
USPC ..... **D12/209**
- (58) **Field of Classification Search**  
USPC ..... D12/204–213; D21/563  
CPC .... B60B 7/00; B60B 7/02; B60B 7/04; B60B  
7/01; B60B 7/06; B60B 3/02; B60B 3/04;  
B60B 3/06; B60B 3/10; B60B 1/00;  
B60B 1/08; B60B 1/10; B60B 1/12  
See application file for complete search history.

D614,111 S *	4/2010	Tant	.....	D12/211
D619,074 S *	7/2010	Zhao	.....	D12/211
D634,251 S *	3/2011	Grill	.....	D12/211
D668,196 S *	10/2012	Tant	.....	D12/209
D675,973 S *	2/2013	Lee	.....	D12/211
D684,518 S *	6/2013	Zhao	.....	D12/211
D711,807 S *	8/2014	Hale	.....	D12/209
D723,994 S *	3/2015	Chung	.....	D12/211
D742,799 S *	11/2015	Zhao	.....	D12/211
D785,536 S *	5/2017	Liffick	.....	D12/211
D797,030 S *	9/2017	Chung	.....	D12/211
D800,628 S *	10/2017	Tran	.....	D12/209
D802,509 S *	11/2017	Tran	.....	D12/209
D803,129 S *	11/2017	McMath	.....	D12/209
D817,844 S *	5/2018	Hale, Jr.	.....	D12/209
D828,271 S *	9/2018	Han	.....	D12/211
D830,268 S *	10/2018	Hale, Jr.	.....	D12/209
D834,487 S *	11/2018	Han	.....	D12/209
D859,258 S *	9/2019	Hale, Jr.	.....	D12/209
D860,908 S *	9/2019	Han	.....	D12/209

\* cited by examiner

*Primary Examiner* — Stacia A Cadmus

(57) **CLAIM**

The ornamental design for a wheel front face, as shown and described.

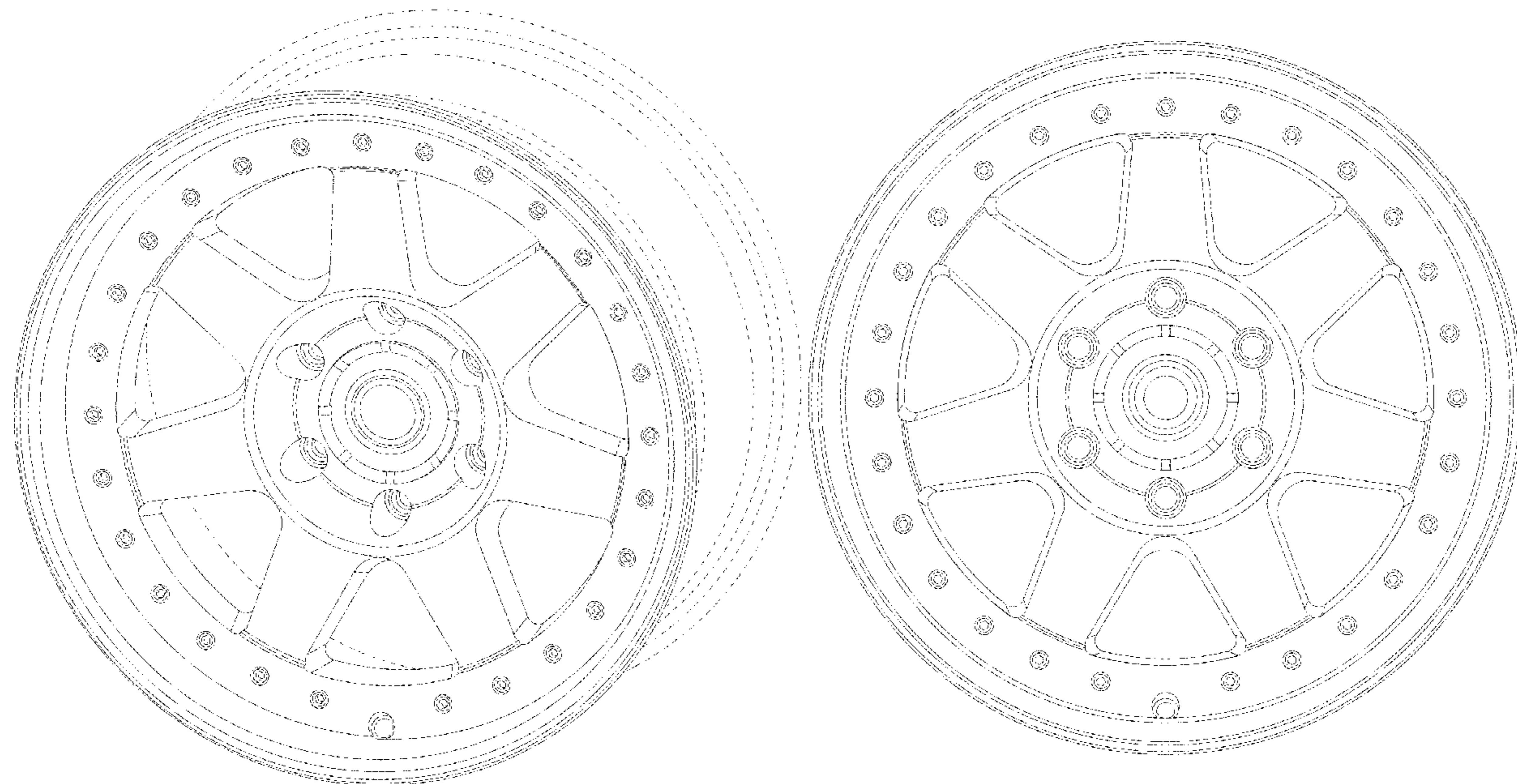
**DESCRIPTION**

FIG. 1 is a perspective view of a wheel front face, showing my new design;  
FIG. 2 is a front view thereof; and,  
FIG. 3 is a side view thereof.  
In the drawings the broken lines depict environmental subject matter and form no part of the claimed design.

**1 Claim, 3 Drawing Sheets**

(56) **References Cited**  
U.S. PATENT DOCUMENTS

D396,208 S *	7/1998	Baumgartner	.....	D12/211
D466,466 S *	12/2002	Laengerer	.....	D12/211
D501,440 S *	2/2005	Pfeiffer	.....	D12/211
D506,173 S *	6/2005	Pfeiffer	.....	D12/211
D518,766 S *	4/2006	Burns	.....	D12/211
D524,214 S *	7/2006	Pfeiffer	.....	D12/211
D554,573 S *	11/2007	Pfeiffer	.....	D12/211
D588,516 S *	3/2009	Nagashima	.....	D12/211



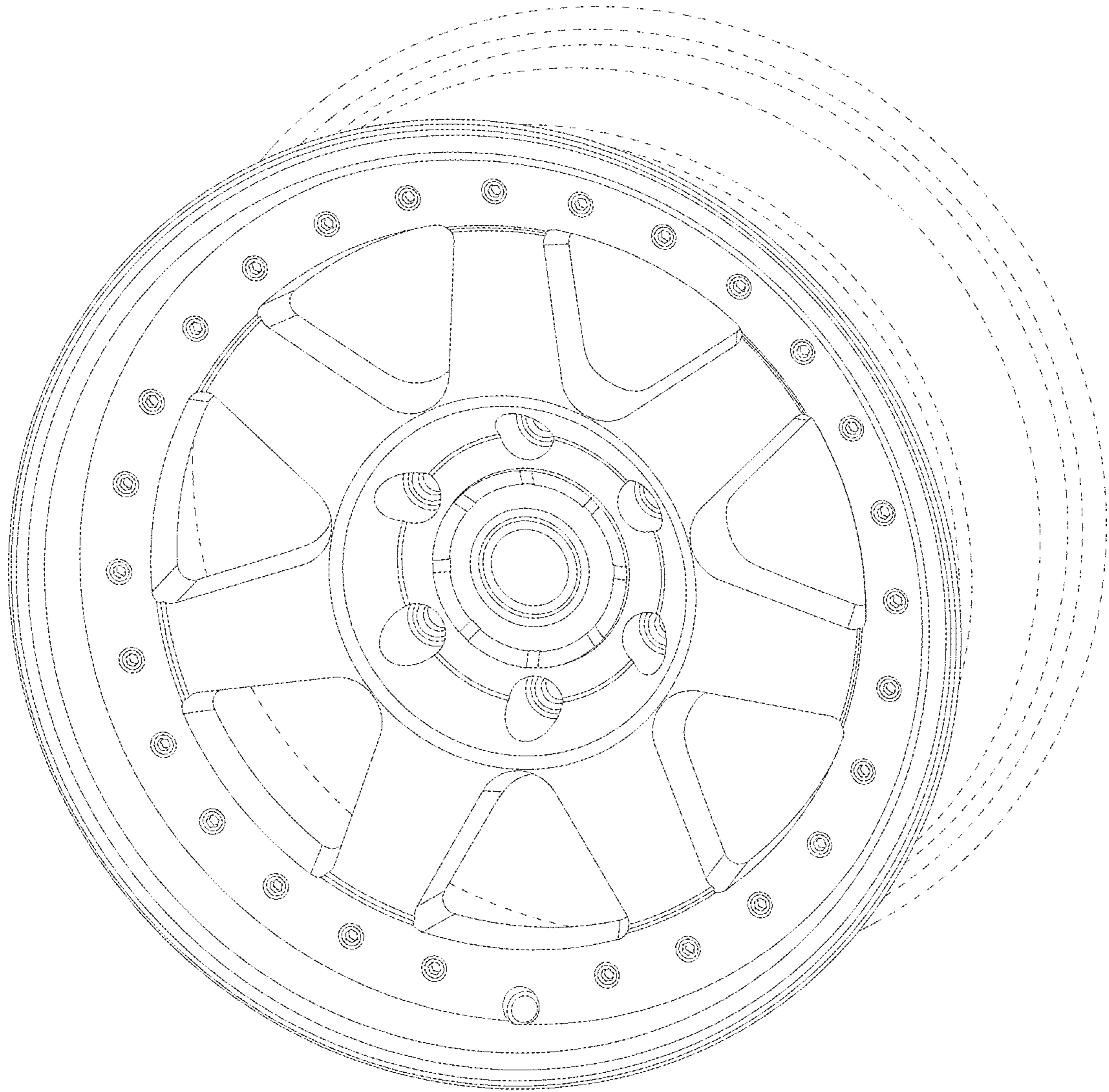


FIG.1

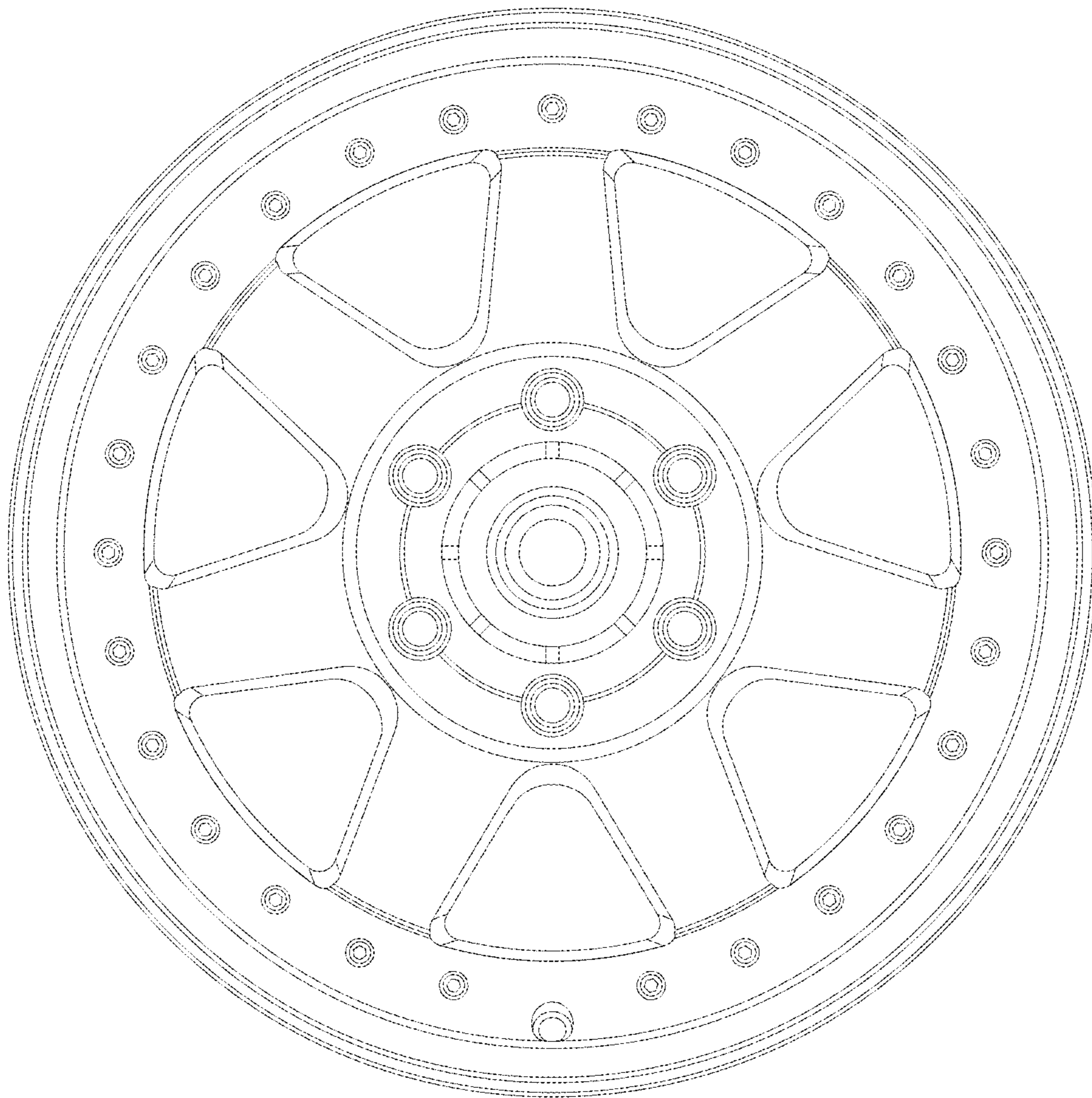


FIG.2

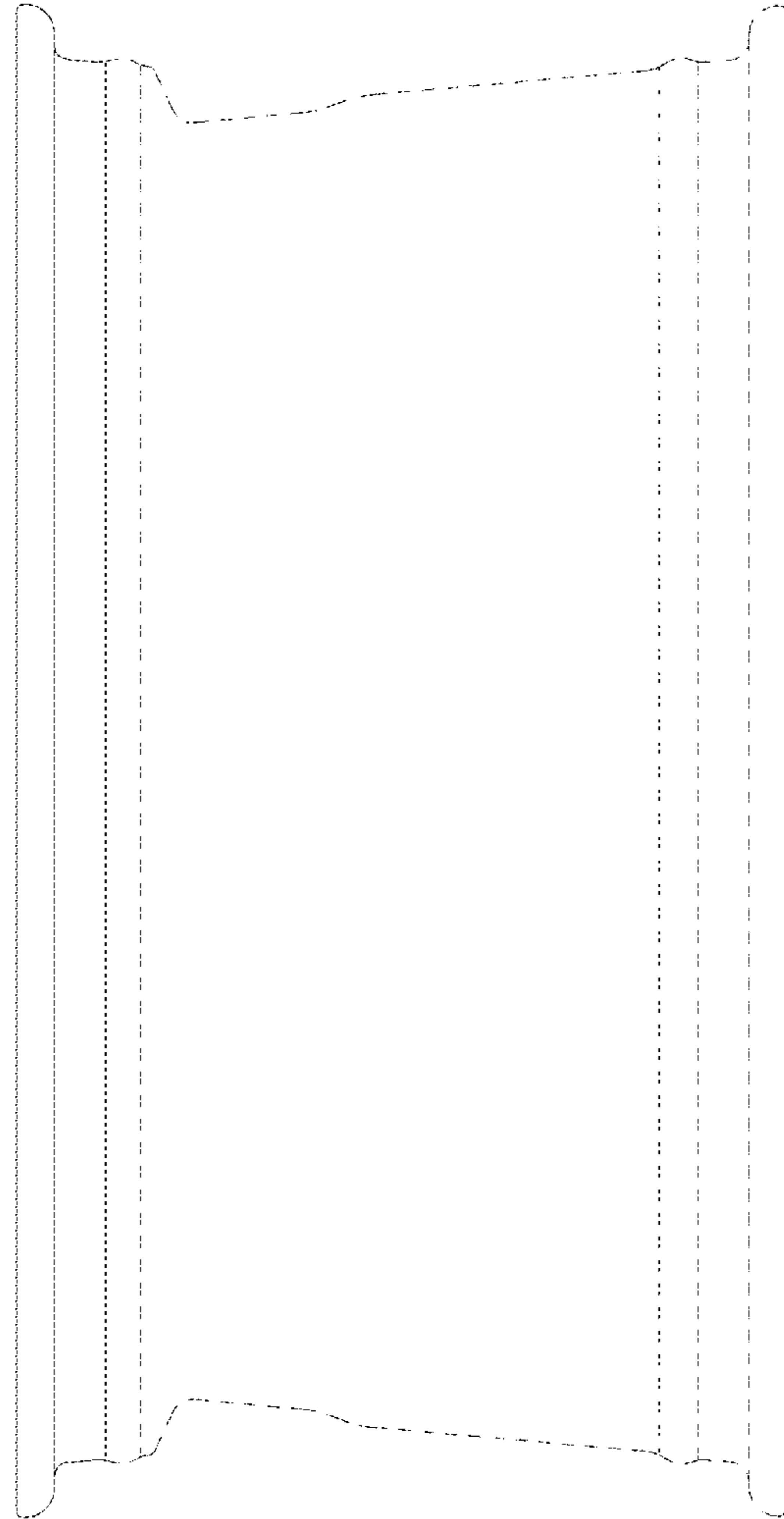


FIG.3