



US00D878985S

(12) **United States Design Patent** (10) **Patent No.:** **US D878,985 S**
Scheinhütte (45) **Date of Patent:** **** Mar. 24, 2020**

(54) **SPOILER FOR MOTOR VEHICLE**
(71) Applicant: **Dr. Ing. h.c. F. Porsche**
Aktiengesellschaft, Stuttgart (DE)
(72) Inventor: **Ingo Scheinhütte, Eberdingen (DE)**
(73) Assignee: **Dr. Ing. h.c. F. Porsche**
Aktiengesellschaft (DE)

(**) Term: **15 Years**
(21) Appl. No.: **29/621,739**
(22) Filed: **Oct. 11, 2017**
(30) **Foreign Application Priority Data**

Apr. 12, 2017 (DE) 40 2017 100 506
(51) **LOC (12) Cl.** **12-16**
(52) **U.S. Cl.**
USPC **D12/181**
(58) **Field of Classification Search**
USPC D12/88, 91, 96, 99, 400, 181, 182, 183,
D12/184, 185, 190, 191, 192, 195
CPC .. B60J 5/101; B60J 1/20; B62D 35/02; B62D
35/005; B62D 35/007
See application file for complete search history.

(56) **References Cited**
U.S. PATENT DOCUMENTS

D403,638 S *	1/1999	Boniface	D12/181
D420,314 S *	2/2000	Kulla	D12/181
D436,905 S *	1/2001	Bhambra	D12/181
D450,640 S *	11/2001	Igwe	D12/181
D498,720 S *	11/2004	Dyson	D12/181
D521,429 S *	5/2006	Konaka	D12/181
D599,264 S *	9/2009	Akasawa	D12/181
D607,385 S *	1/2010	Krauss	D12/181
D659,615 S *	5/2012	Varga	D12/181
D683,677 S *	6/2013	Varga	D12/181

D686,124 S *	7/2013	Kawasaki	D12/181
D717,221 S	11/2014	Borkert	
D763,751 S	8/2016	Varga	
D777,628 S *	1/2017	Kozub	D12/181
D784,877 S *	4/2017	Lee	D12/181
D786,156 S *	5/2017	Kang	D12/181
D827,524 S *	9/2018	Behmer	D12/181

OTHER PUBLICATIONS

Design U.S. Appl. No. 29/579,465, by Scheinhütte, filed Sep. 30, 2016.
Design U.S. Appl. No. 29/590,061, by Scheinhütte, filed Jan. 6, 2017.
Design U.S. Appl. No. 29/591,933, by Varga, filed Jan. 25, 2017.
Design U.S. Appl. No. 29/615,767, by Baum et al., filed Aug. 31, 2017.
Design U.S. Appl. No. 29/621,335, filed Oct. 6, 2017.

* cited by examiner

Primary Examiner — Susan E Krakower
Assistant Examiner — Jerry Shiuan-Hua Hsu
(74) *Attorney, Agent, or Firm* — RatnerPrestia

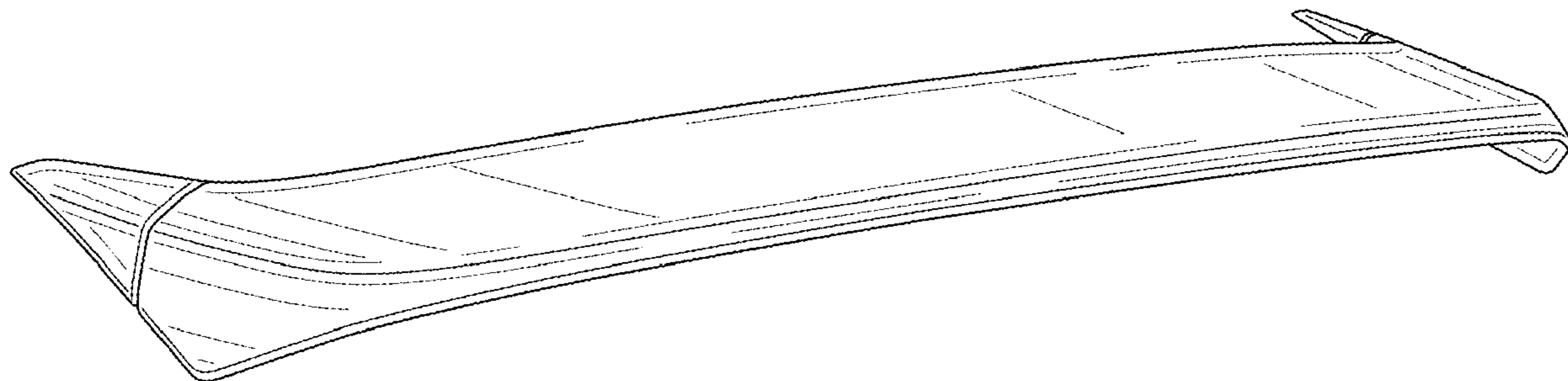
(57) **CLAIM**

The ornamental design for a spoiler for motor vehicle, as shown and described.

DESCRIPTION

FIG. 1 is a front side perspective view of a spoiler for motor vehicle, showing my new design;
FIG. 2 is a rear side perspective view thereof;
FIG. 3 is a front elevation view thereof;
FIG. 4 is an elevation view thereof, enlarged for ease of illustration;
FIG. 5 is an elevation view thereof, enlarged for ease of illustration;
FIG. 6 is a top plan view thereof; and,
FIG. 7 is a bottom plan view thereof.

1 Claim, 4 Drawing Sheets



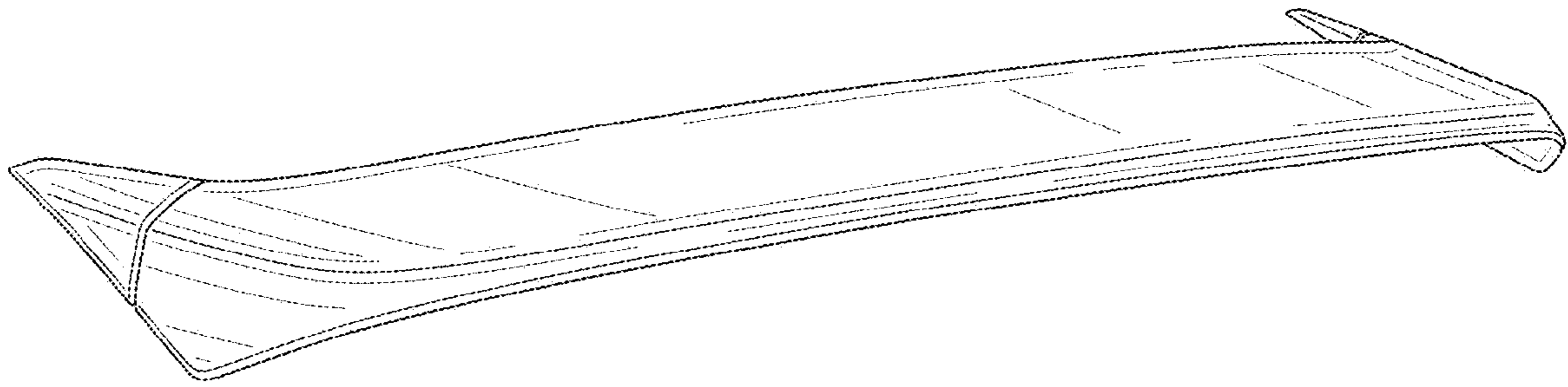


FIG. 1

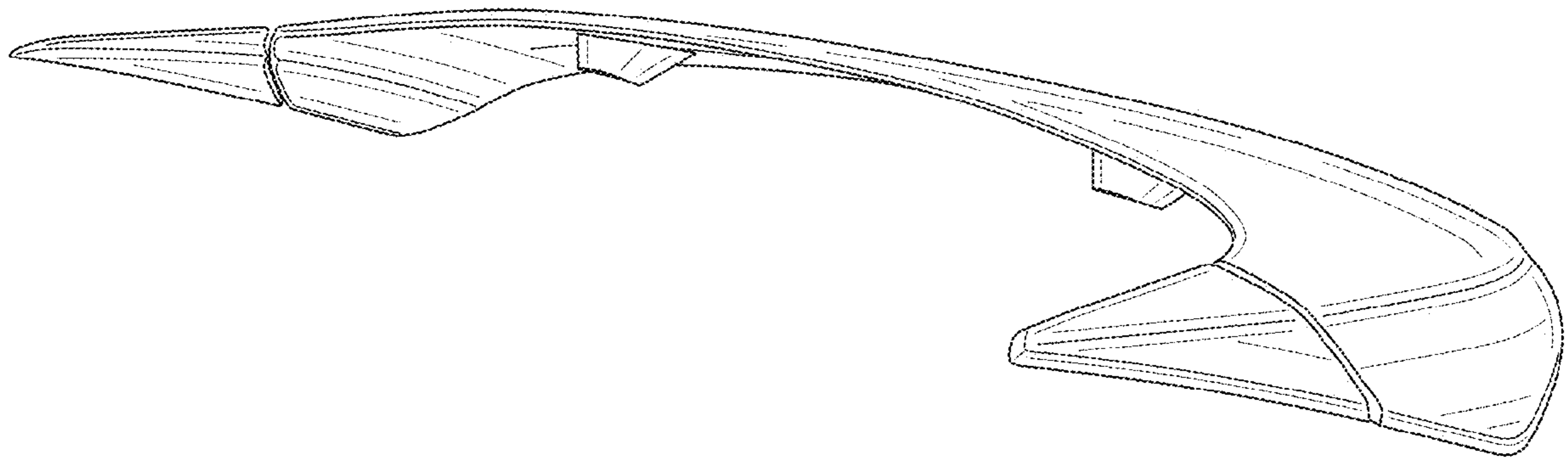


FIG. 2

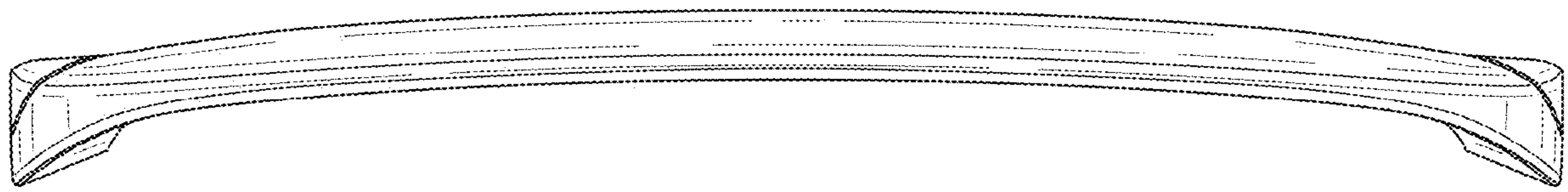


FIG. 3

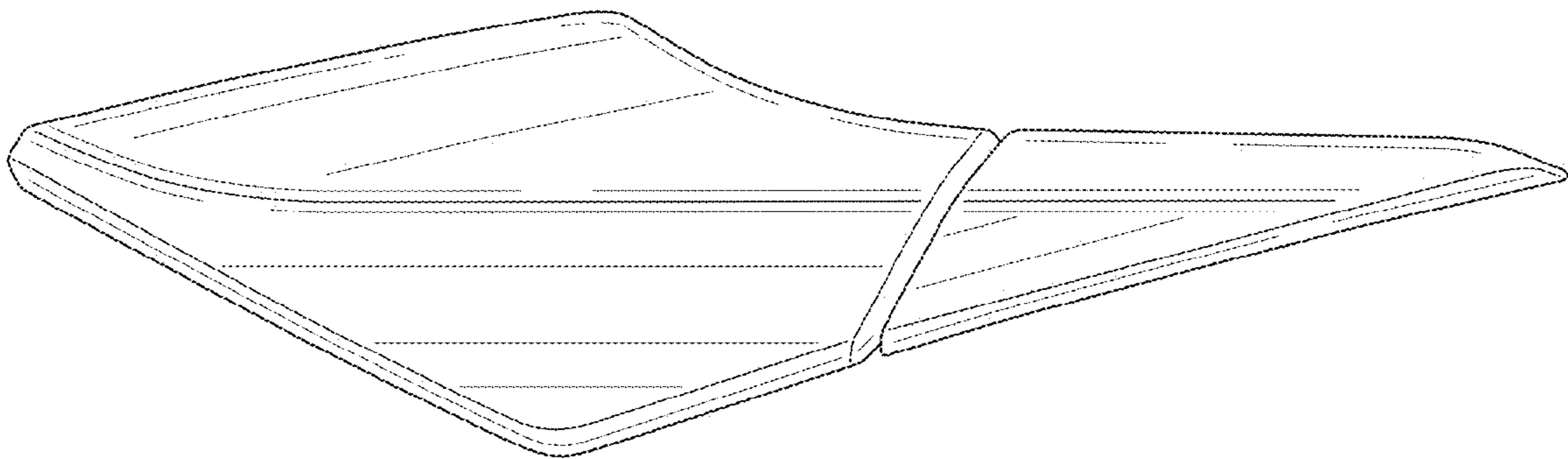


FIG. 4

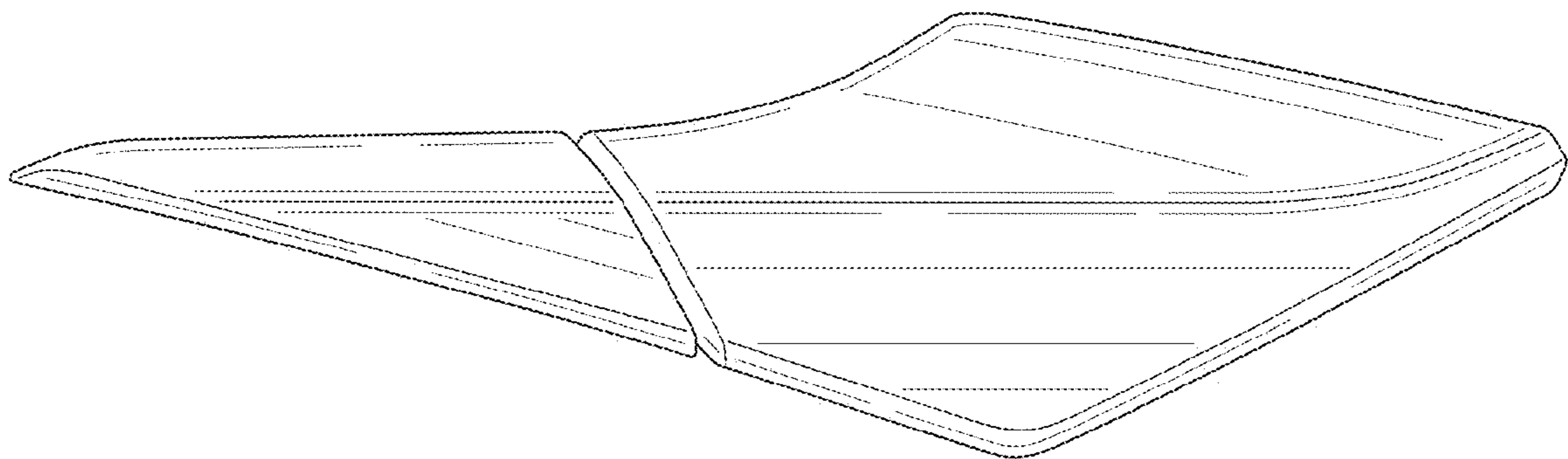


FIG. 5

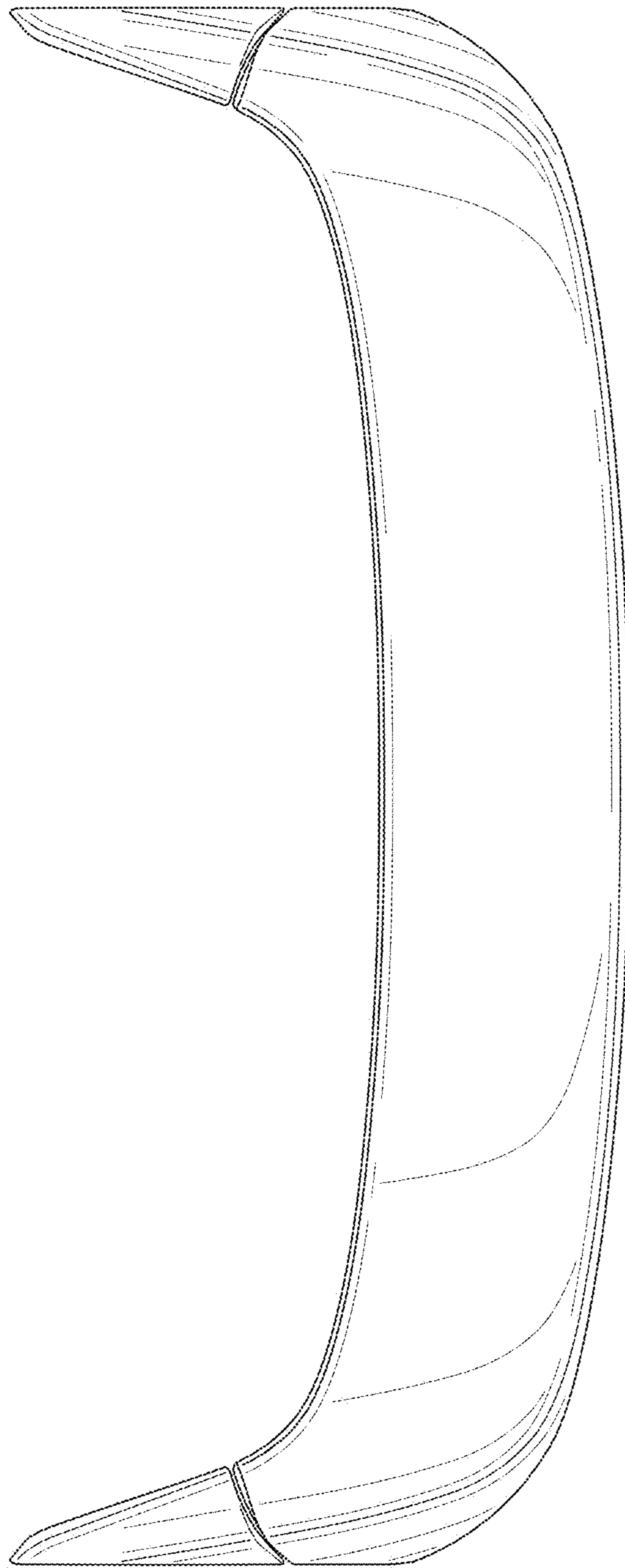


FIG. 6

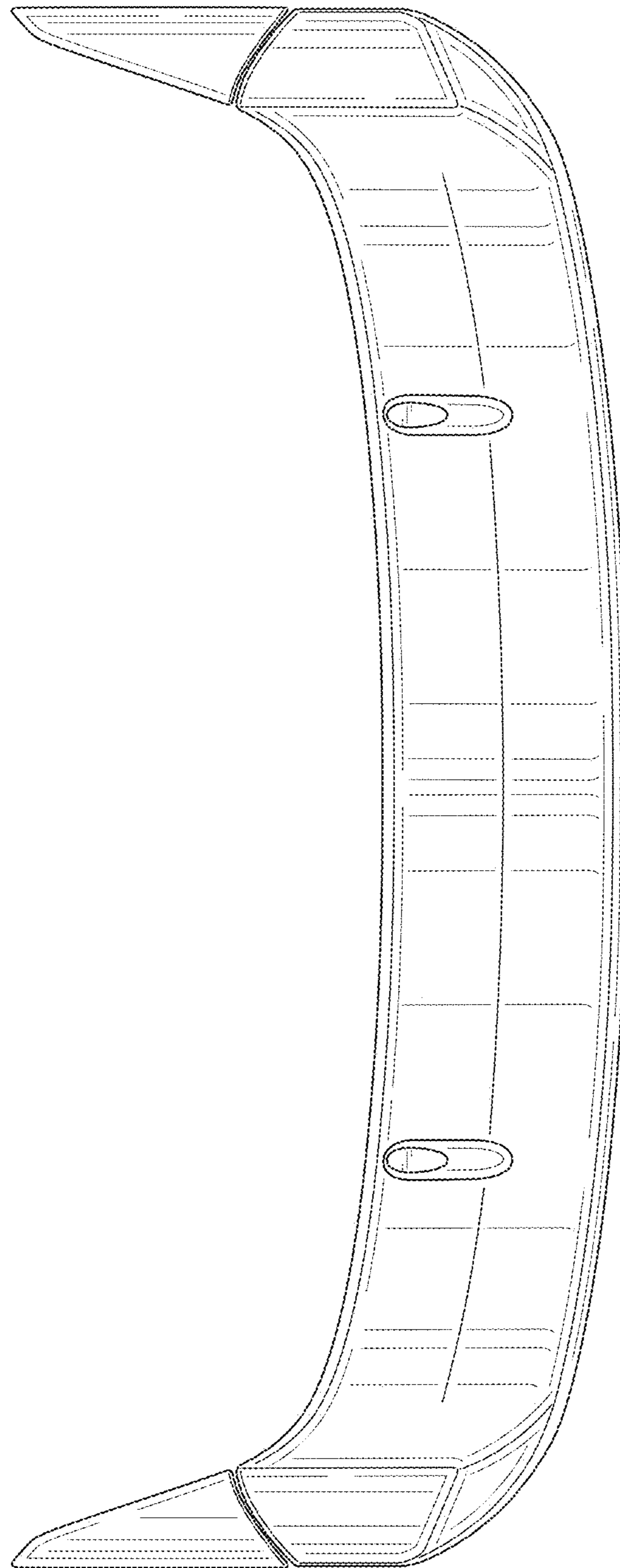


FIG. 7