

US00D878984S

(12) **United States Design Patent**
Lindsly et al.

(10) **Patent No.:** **US D878,984 S**
(45) **Date of Patent:** **** Mar. 24, 2020**

- (54) **BRAKE CALIPER HARDWARE**
- (71) Applicants: **Zack Lindsly**, Shelton, CT (US); **Tom Reynolds**, Shelton, CT (US)
- (72) Inventors: **Zack Lindsly**, Shelton, CT (US); **Tom Reynolds**, Shelton, CT (US)
- (73) Assignee: **Preferred Tool & Die, Inc.**, Shelton, CT (US)
- (**) Term: **15 Years**
- (21) Appl. No.: **29/670,394**

- D468,243 S * 1/2003 Iida D12/180
- D473,127 S * 4/2003 Yoko D8/395
- D478,501 S * 8/2003 Yoko D8/395
- D481,659 S * 11/2003 Reimann D12/180
- D483,709 S * 12/2003 Byrd D12/180
- D489,655 S * 5/2004 Byrd D12/180
- 7,219,773 B2 * 5/2007 Ono F16D 65/0971
188/250 E
- D563,830 S * 3/2008 Takeda D12/14
- 7,467,693 B2 12/2008 Barbosa et al.
- 7,644,809 B2 * 1/2010 Cortinovic F16D 65/0972
188/205 A
- D629,342 S * 12/2010 Fallot D12/174
- 8,020,674 B2 * 9/2011 Miura F16D 65/0977
188/73.38
- 8,397,880 B2 3/2013 Chelaidite
(Continued)

- (22) Filed: **Nov. 15, 2018**
 - (51) **LOC (12) Cl.** **12-16**
 - (52) **U.S. Cl.**
USPC **D12/180**
 - (58) **Field of Classification Search**
USPC D12/14, 174, 180; D8/395
CPC F16D 55/225; F16D 55/226; F16D 55/227;
F16D 55/22; F16D 65/0006; F16D
65/092; F16D 65/0972; F16D 65/0977;
F16D 65/097
- See application file for complete search history.

FOREIGN PATENT DOCUMENTS

- CN 202381608 U 8/2012
- GB 2258701 A 2/1993

Primary Examiner — Susan E Krakower
Assistant Examiner — Jerry Shiuan-Hua Hsu
 (74) *Attorney, Agent, or Firm* — St. Onge Steward
 Johnston & Reens, LLC

(56) **References Cited**

U.S. PATENT DOCUMENTS

- 3,460,651 A 8/1969 Burnett
- D258,875 S * 4/1981 Weiner D12/174
- 5,472,067 A * 12/1995 Fujiwara F16D 55/227
188/205 A
- 5,511,638 A 4/1996 Tsuruta
- 5,687,817 A * 11/1997 Kobayashi F16D 65/097
188/72.3
- 5,699,882 A * 12/1997 Ikegami F16D 65/0972
188/205 A
- 6,179,095 B1 1/2001 Weiler et al.
- 6,378,666 B1 * 4/2002 Yoko F16D 65/0972
188/73.36
- D468,242 S * 1/2003 Iida D12/180

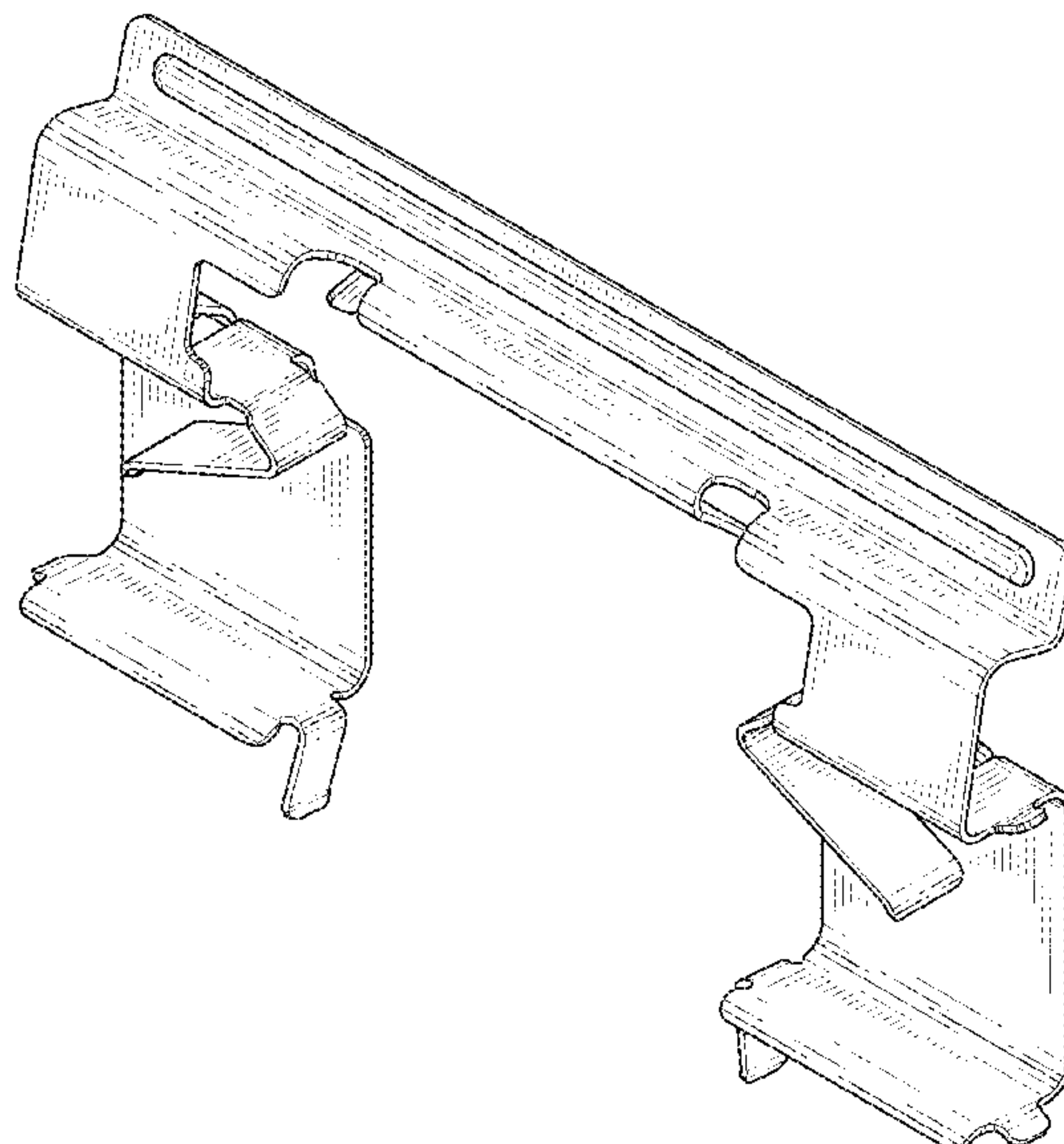
(57) **CLAIM**

The ornamental design for a brake caliper hardware, as shown and described.

DESCRIPTION

FIG. 1 is a front isometric view of a brake caliper hardware in accordance with the new design;
 FIG. 2 is a front elevational view thereof;
 FIG. 3 is a right side elevational view thereof, the left side being a mirror image thereof;
 FIG. 4 is a rear elevational view thereof;
 FIG. 5 is a top plan view thereof; and,
 FIG. 6 is a bottom plan view thereof.

1 Claim, 6 Drawing Sheets



(56)

References Cited

U.S. PATENT DOCUMENTS

8,869,950	B2	10/2014	Maehara et al.	
9,062,729	B2 *	6/2015	Chelaidite	F16D 65/092
9,267,559	B2 *	2/2016	Boyle	F16D 65/0006
9,422,992	B2	8/2016	Bach et al.	
10,174,799	B2 *	1/2019	Toguri	F16D 65/097
D861,560	S *	10/2019	Lindsly	D12/180
2004/0256183	A1	12/2004	Barbosa et al.	
2007/0251772	A1	11/2007	Tsurumi	
2010/0051393	A1	3/2010	Arioka	
2010/0243385	A1 *	9/2010	Kaneko	F16D 65/0972 188/73.31
2011/0168503	A1	7/2011	Chelaidite	
2012/0205205	A1	8/2012	Lethorn	
2016/0076611	A1	3/2016	Boyle	
2016/0195148	A1	7/2016	Shin et al.	
2018/0023645	A1 *	1/2018	Reynolds	F16D 55/226 188/73.38

* cited by examiner

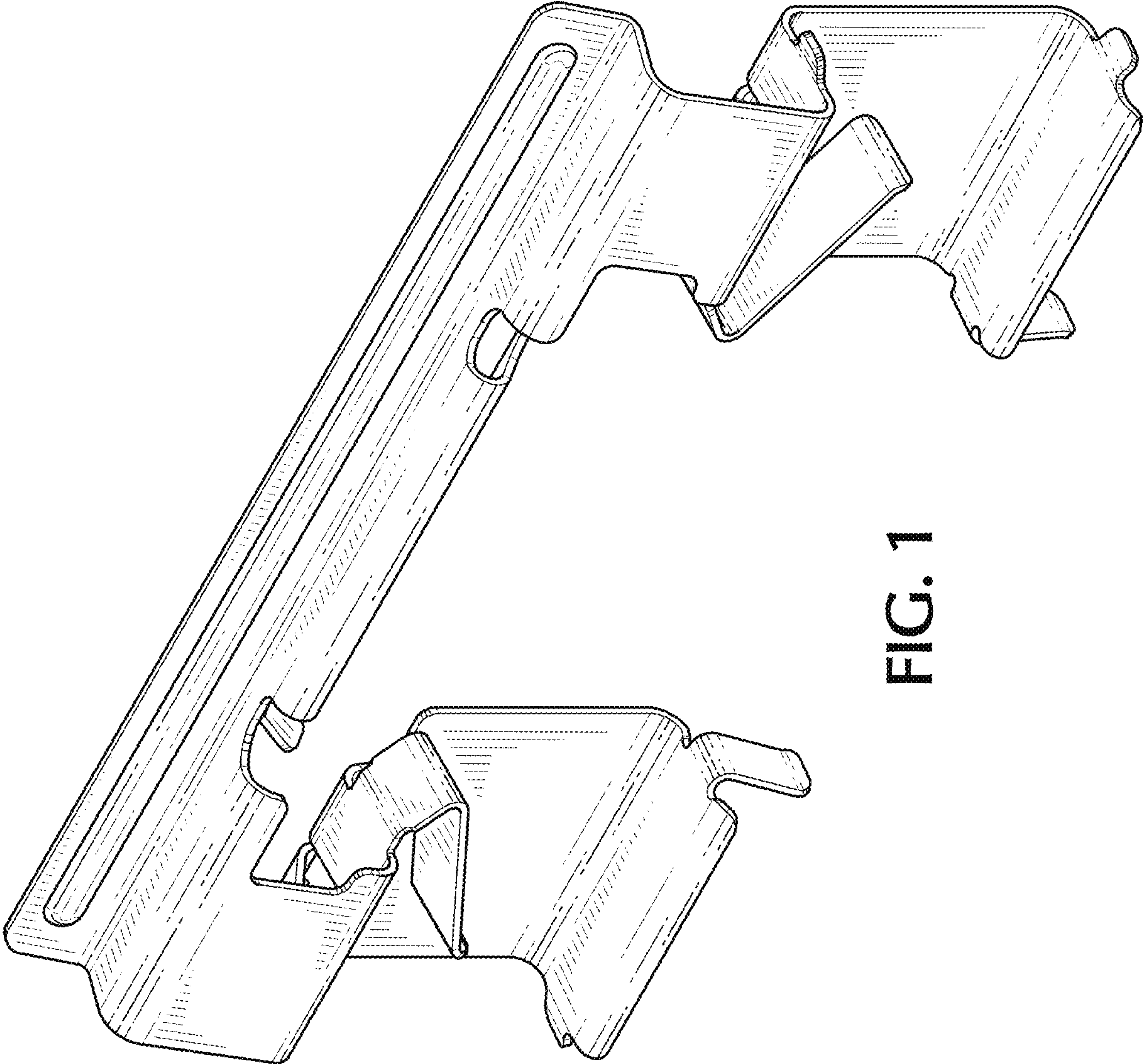


FIG. 1

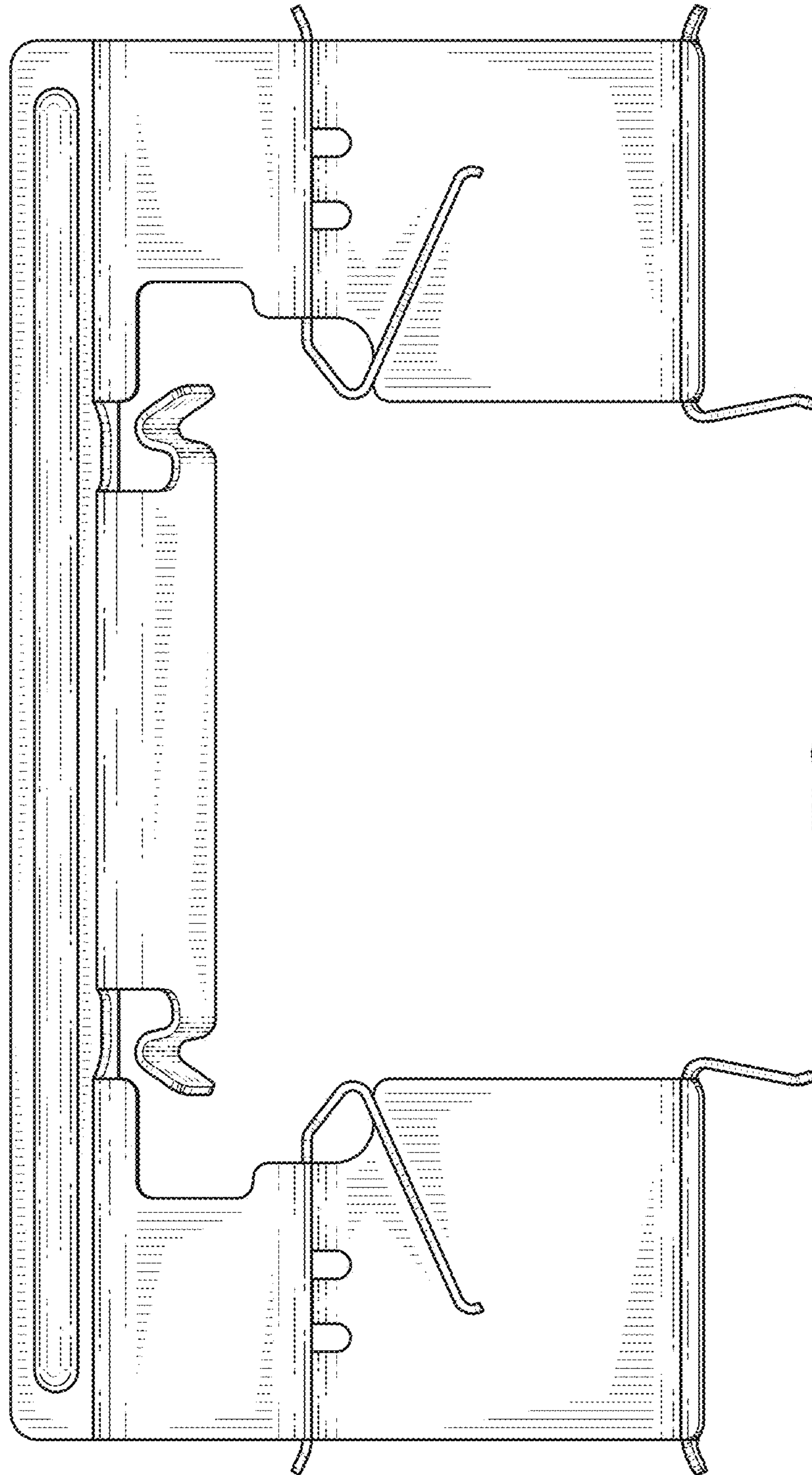


FIG. 2

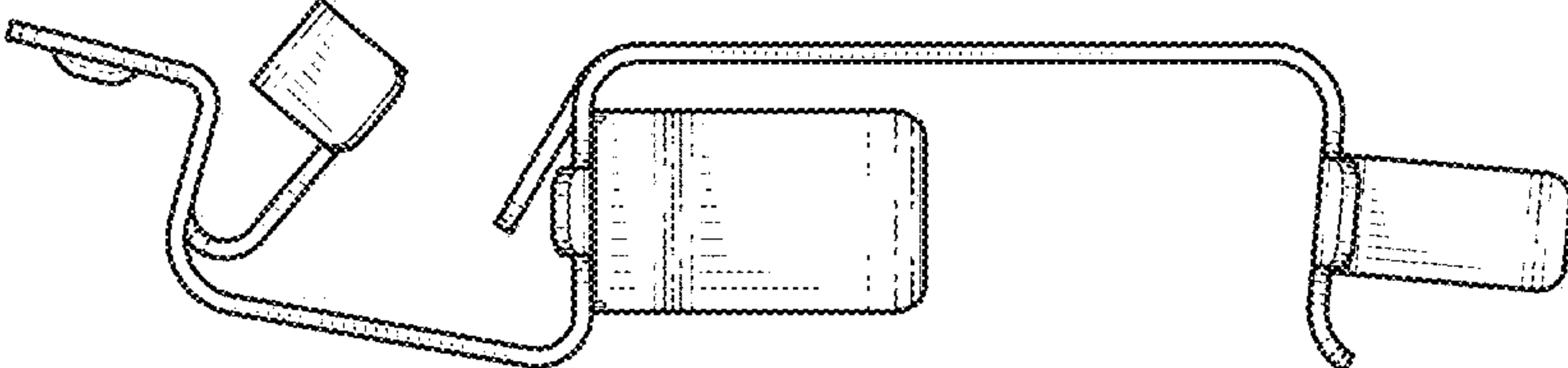


FIG. 3

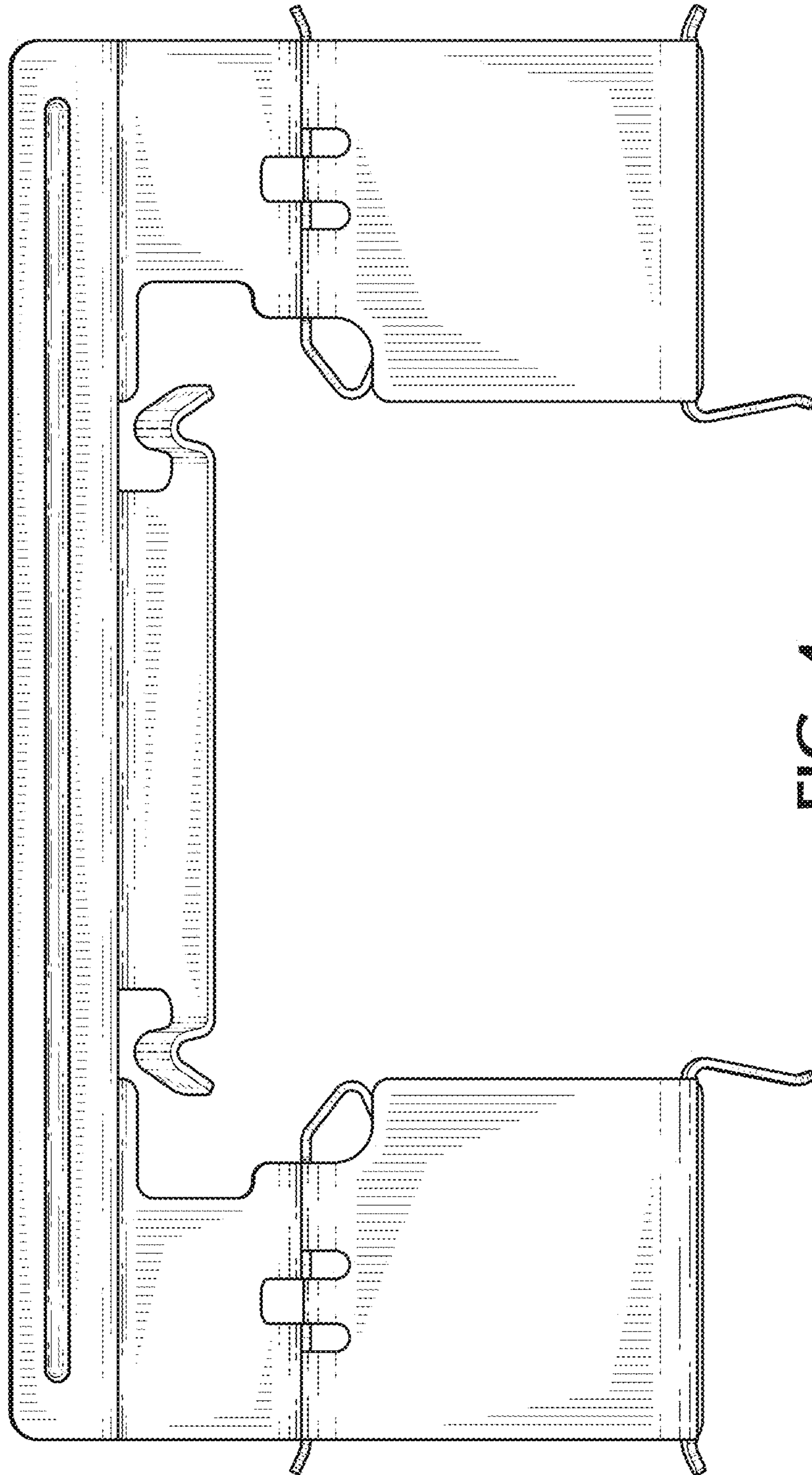


FIG. 4

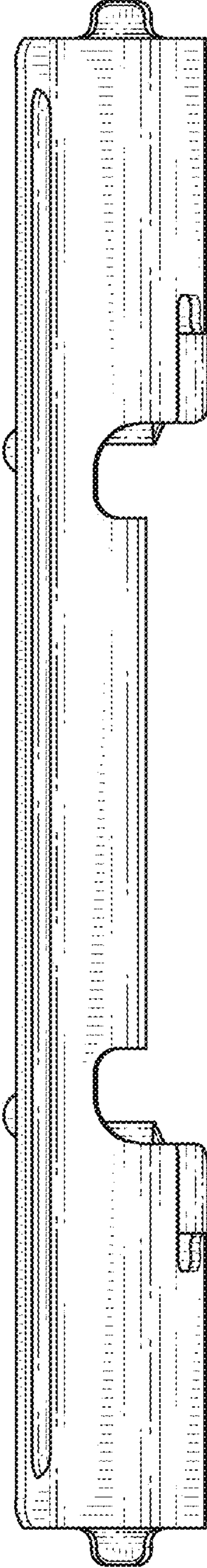


FIG. 5

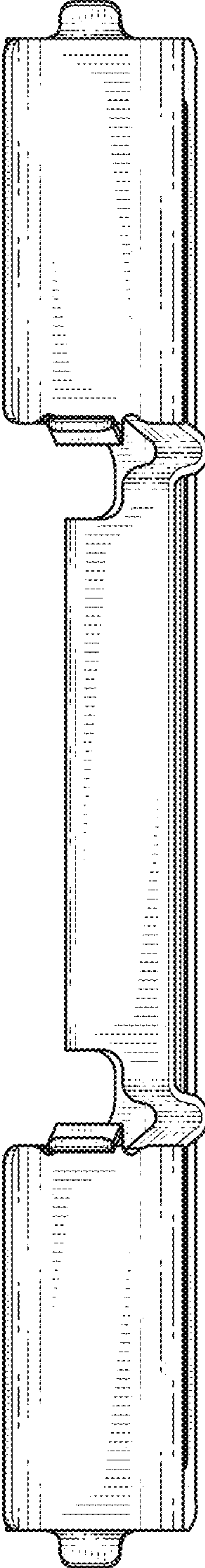


FIG. 6