



US00D878983S

(12) **United States Design Patent** (10) **Patent No.:** **US D878,983 S**
Carlini (45) **Date of Patent:** **** Mar. 24, 2020**

(54) SHIFTER	3,991,845 A 11/1976 LaPointe
(71) Applicant: Aircraft Gear Corporation , Loves Park, IL (US)	4,474,085 A * 10/1984 DeVogelaere F16H 59/10 477/99
(72) Inventor: Sean M. Carlini , Rockford, IL (US)	D279,202 S * 6/1985 Kim D14/416
(73) Assignee: Aircraft Gear Corporation , Loves Park, IL (US)	D287,255 S 12/1986 Watson, Jr.
(**) Term: 15 Years	D300,023 S 2/1989 DeRamus, Jr.
(21) Appl. No.: 29/691,684	D303,815 S 10/1989 Kim
(22) Filed: May 17, 2019	4,914,969 A 4/1990 Lieb
	D317,948 S 7/1991 Tse
	D317,949 S * 7/1991 Tse D14/416
	D340,442 S 10/1993 Bessette
	D352,739 S * 11/1994 Ho D14/416
	D365,605 S * 12/1995 Jensen D14/416
	D368,104 S 3/1996 Pfister et al.
	5,727,424 A * 3/1998 Brandewie F16H 59/04 180/336

(Continued)

Related U.S. Application Data

(62) Division of application No. 29/614,942, filed on Aug. 24, 2017, now Pat. No. Des. 851,565.

(51) **LOC (12) Cl.** **12-16**

(52) **U.S. Cl.**
USPC **D12/179**

(58) **Field of Classification Search**
USPC D12/179, 180, 177, 174, 159, 126, 192, D12/114, 7, 400, 223, 215, 195, 345, 181, D12/187; D13/168; D14/416; D4/138; D8/107

CPC B60F 5/02; F16H 59/02; F16H 59/0217; F16H 59/0278; F16H 59/10; F16H 59/04; F16H 59/042; F16H 61/22; F15B 7/003; G05G 1/44; G05G 1/04; B60K 20/02; B60K 20/04; H01H 9/0235; A61M 25/0136; B66D 3/02

See application file for complete search history.

(56) **References Cited**

U.S. PATENT DOCUMENTS

D213,747 S 4/1969 Ross
D222,445 S 10/1971 Hurst, Jr. et al.

Primary Examiner — Susan E Krakower

Assistant Examiner — Jerry Shiu-an-Hua Hsu

(74) *Attorney, Agent, or Firm* — John V. Daniluck; Bingham Greenebaum Doll LLP

(57) **CLAIM**

The ornamental design for a shifter, as shown and described.

DESCRIPTION

FIG. 1 is a left, front, top perspective view of a shifter showing my new design;

FIG. 2 is a right, rear, and top perspective view of the apparatus of FIG. 1;

FIG. 3 is a front elevational view of the apparatus of FIG. 1, FIG. 4 is a left side elevational view of the apparatus of FIG. 1;

FIG. 5 is a rear elevational view of the apparatus of FIG. 1; FIG. 6 is a right side elevational view of the apparatus of FIG. 1;

FIG. 7 is a top plan view of the apparatus of FIG. 1; and, FIG. 8 is a bottom plan view of apparatus of FIG. 1.

1 Claim, 5 Drawing Sheets



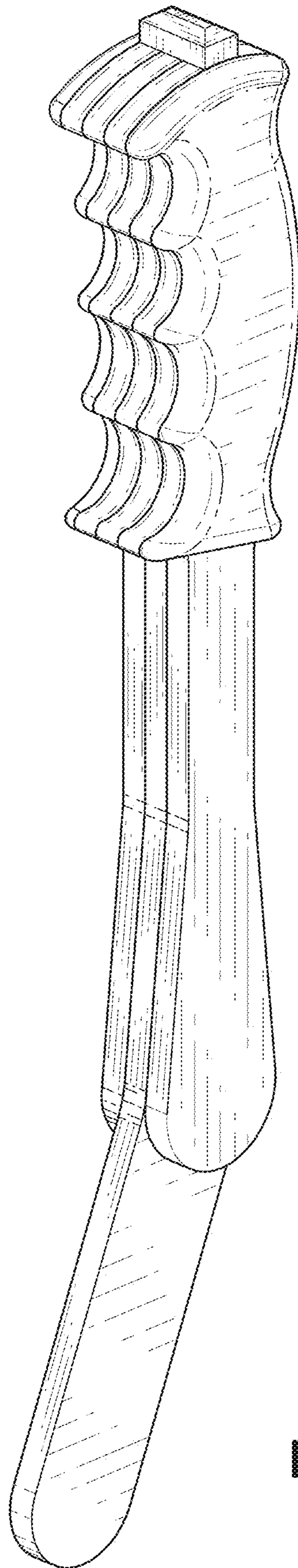


FIG. 1

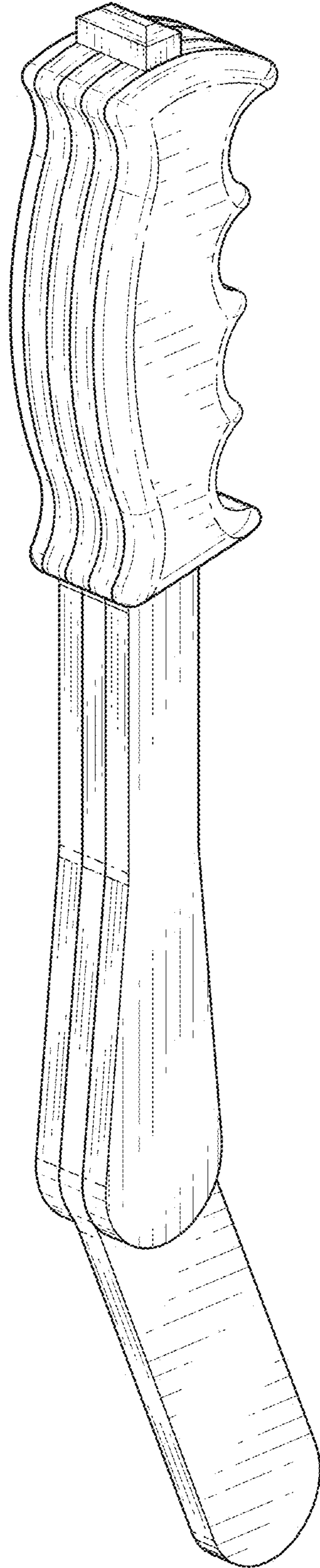


FIG. 2

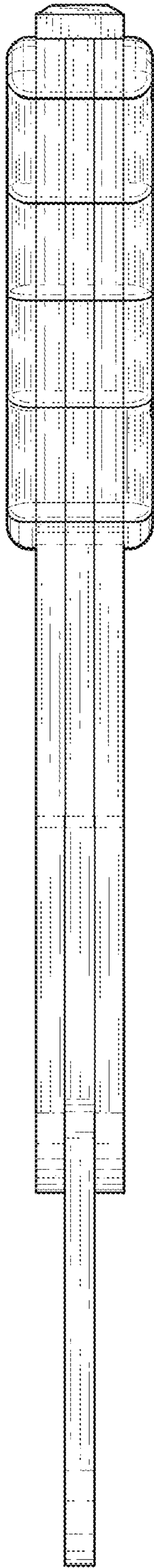


FIG. 3

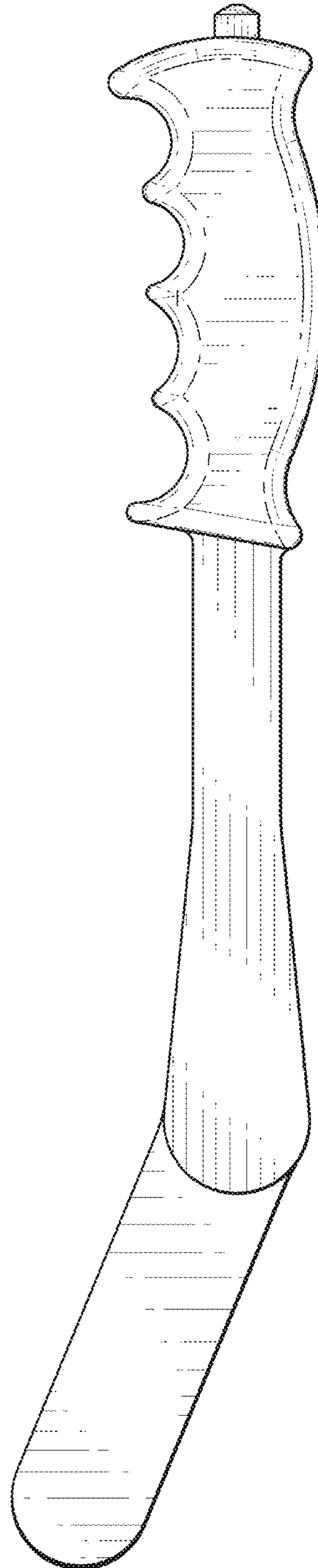


FIG. 4

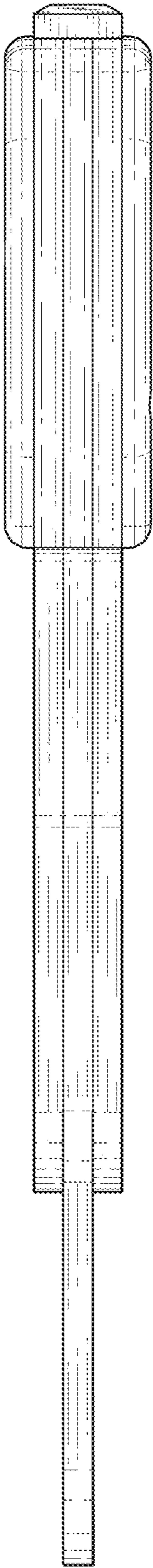


FIG. 5

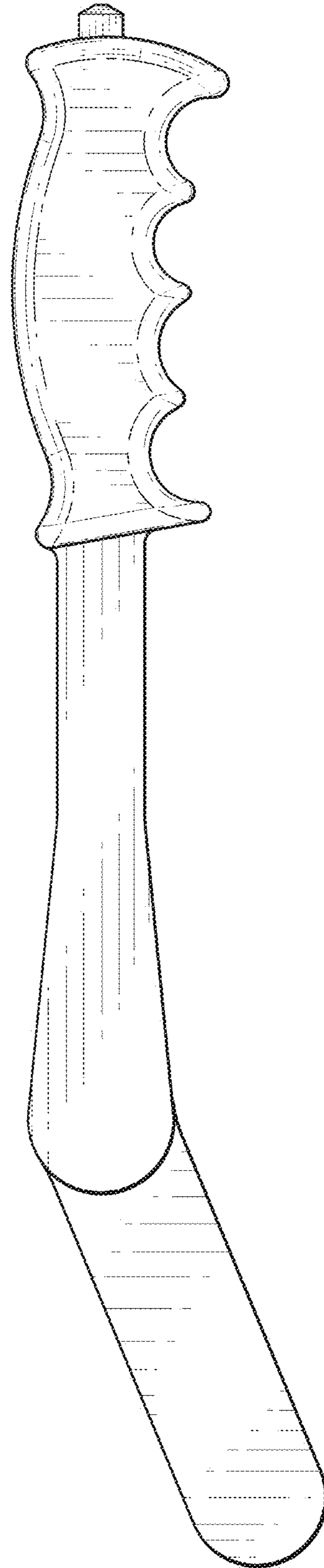


FIG. 6

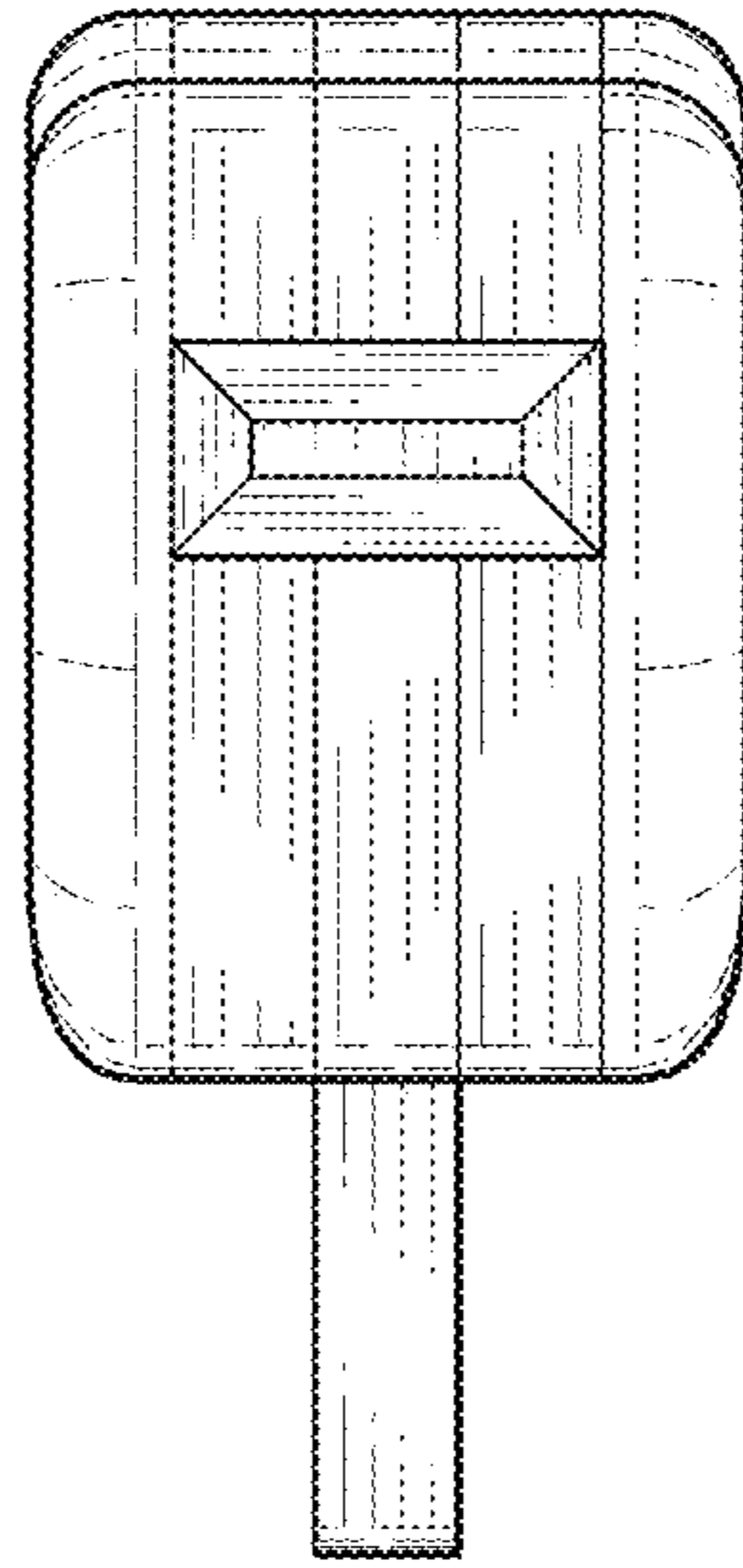


FIG. 7

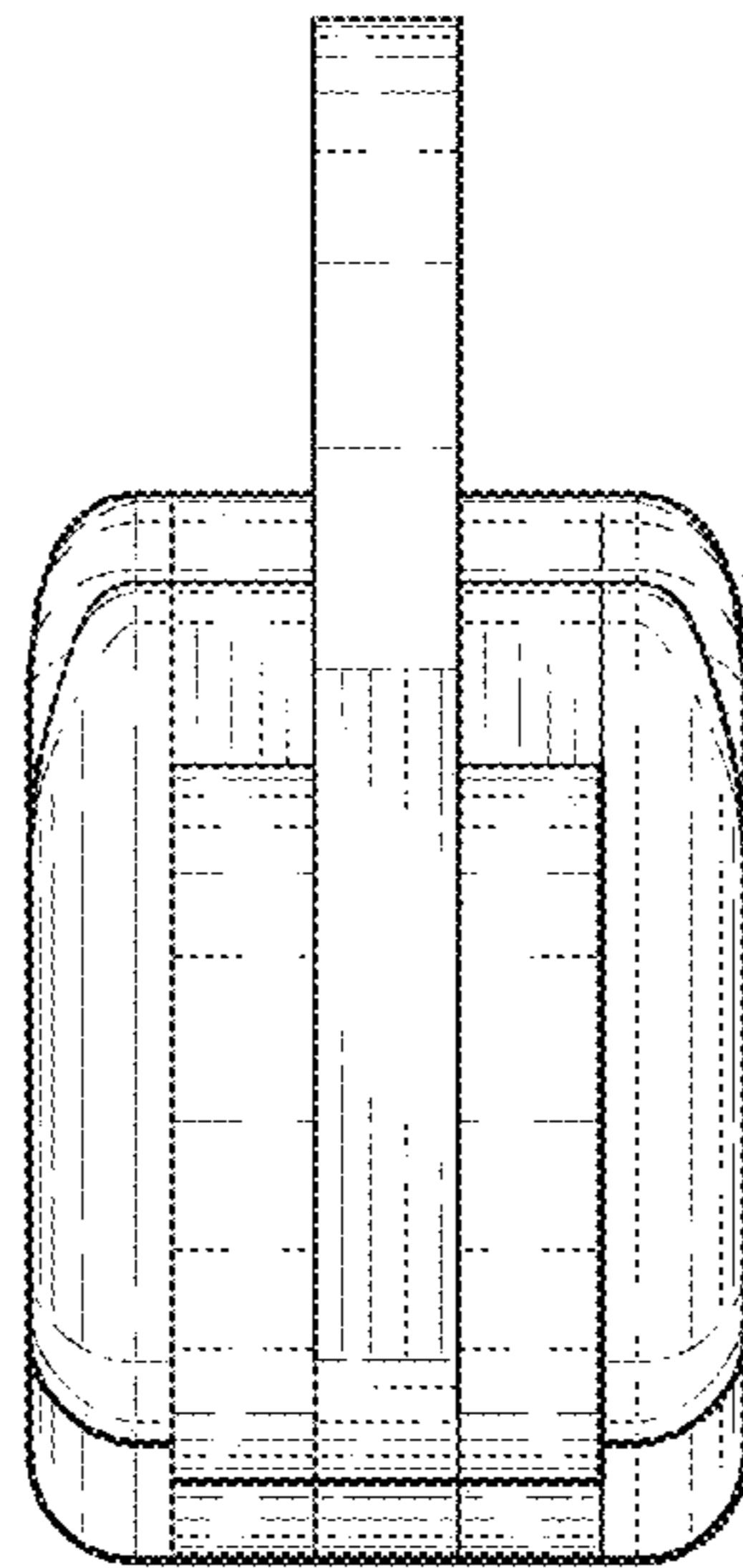


FIG. 8