



US00D878982S

(12) **United States Design Patent**
Gil Vera

(10) **Patent No.:** **US D878,982 S**

(45) **Date of Patent:** **** Mar. 24, 2020**

(54) **VEHICLE MEDIA CONTROL DEVICE**

(71) Applicant: **Guadalupe Ramon Gil Vera**, Portland, OR (US)

(72) Inventor: **Guadalupe Ramon Gil Vera**, Portland, OR (US)

(**) Term: **15 Years**

(21) Appl. No.: **29/669,168**

(22) Filed: **Nov. 6, 2018**

(51) **LOC (12) Cl.** **12-16**

(52) **U.S. Cl.**
USPC **D12/177**; D10/49; D13/168; D14/218

(58) **Field of Classification Search**
USPC D10/30-39, 49; D12/177; D13/168; D14/218

CPC B60Q 1/1484; B60Q 1/0082; B60K 37/06; B60K 2370/782; B60K 2370/55; B60K 2370/566; B60K 2370/573; B60K 2370/589; B60K 37/02; B60K 35/00; B60K 2370/1438; B60K 2370/155; B60K 2370/152; B60K 2370/143; H04M 1/6083; B60R 11/0241; B60R 2011/0063; B60R 2011/0059; B60R 2011/001; B60R 21/203; B60R 21/21658; B60R 11/0264; B60R 11/0258; B60R 11/0235; G06F 3/0338; G06F 2203/0384; H01H 13/70; H01H 11/0018; H01H 11/0006; H01H 9/20; H01H 3/20; Y10T 74/20834; B62D 1/046

See application file for complete search history.

(56) **References Cited**

U.S. PATENT DOCUMENTS

6,349,616 B1 2/2002 Onodera
6,983,170 B2 1/2006 Stullberger

8,177,182 B1 5/2012 Wood
9,193,375 B2 11/2015 Schramm
10,386,922 B2 * 8/2019 Andersen G06F 3/0416
2006/0253229 A1 11/2006 Kohata
2007/0050061 A1 3/2007 Klein
2009/0005125 A2 1/2009 Venhofen
2016/0364203 A1 12/2016 Harris

FOREIGN PATENT DOCUMENTS

CN 205499039 8/2016
DE 20319315 2/2004
EP 2394858 12/2011
JP H10129500 5/1998

* cited by examiner

Primary Examiner — Antoine Duval Davis

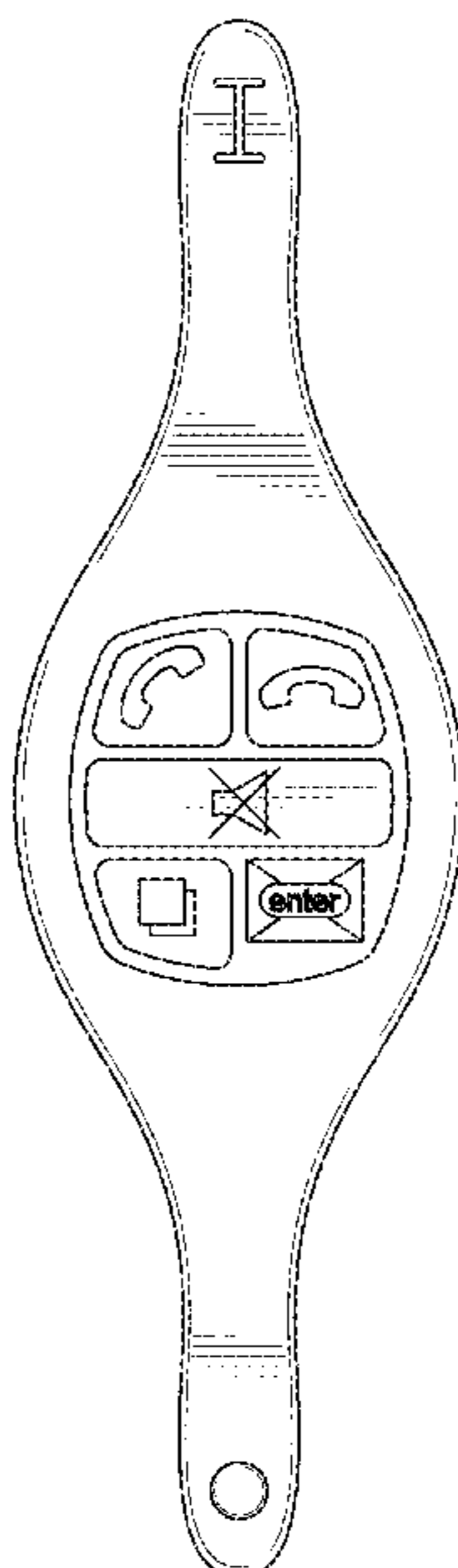
(57) **CLAIM**

The ornamental design for a vehicle media control device, as shown and described.

DESCRIPTION

FIG. 1 is a front view of a vehicle media control device showing my new design;
FIG. 2 is a rear view of the vehicle media control device;
FIG. 3 is a right side view of the vehicle media control device;
FIG. 4 is a left side view of the vehicle media control device;
FIG. 5 is a top view of the vehicle media control device;
FIG. 6 is a bottom view of the vehicle media control device;
FIG. 7 is a top front side perspective view of the vehicle media control device in use; and,
FIG. 8 is a detailed top front side perspective view of the vehicle media control device in use.
The broken lines in FIGS. 7 and 8 are illustrative of environmental structure forming no part of the claimed design.

1 Claim, 4 Drawing Sheets



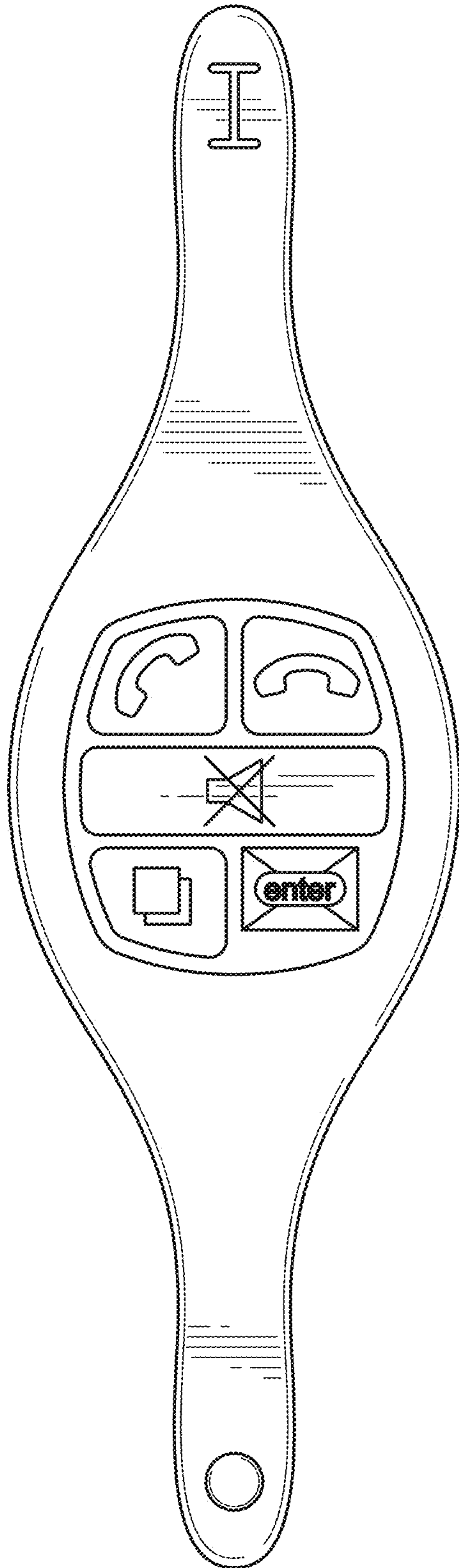


FIG. 1

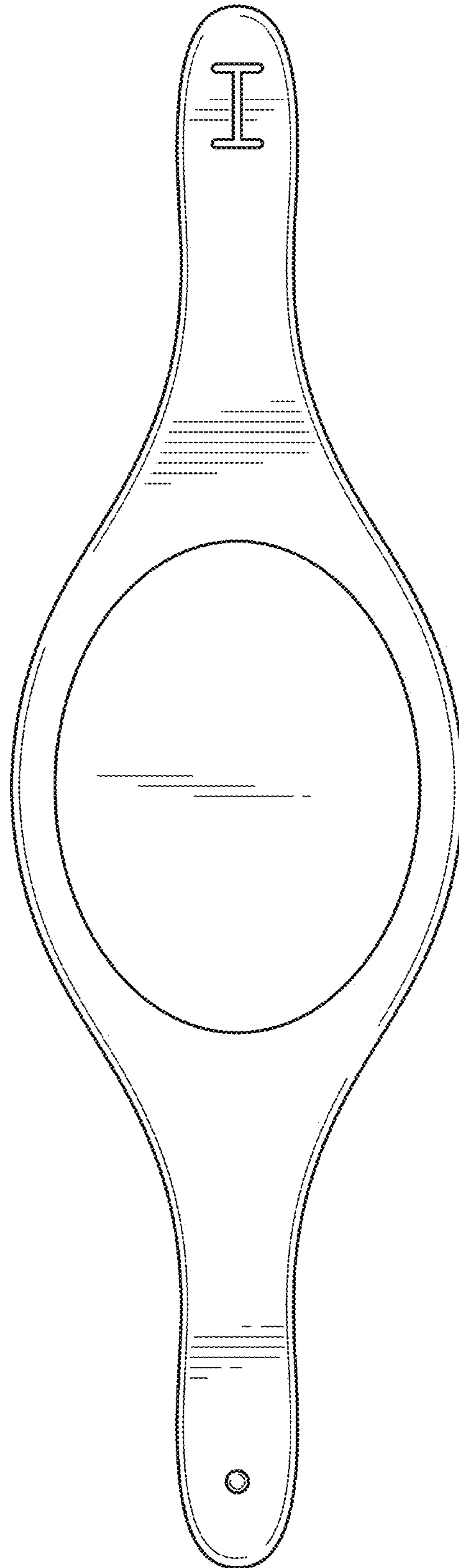


FIG. 2

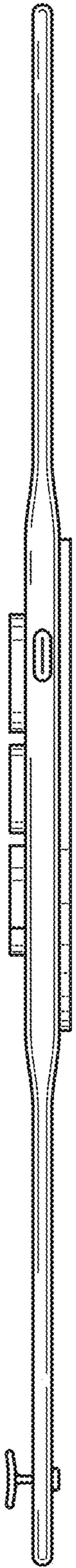


FIG. 3

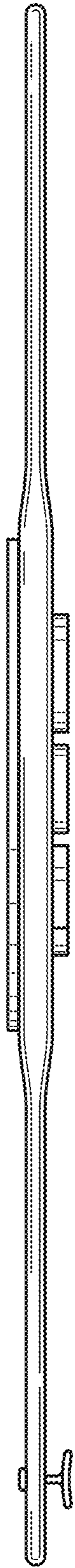


FIG. 4



FIG. 5



FIG. 6

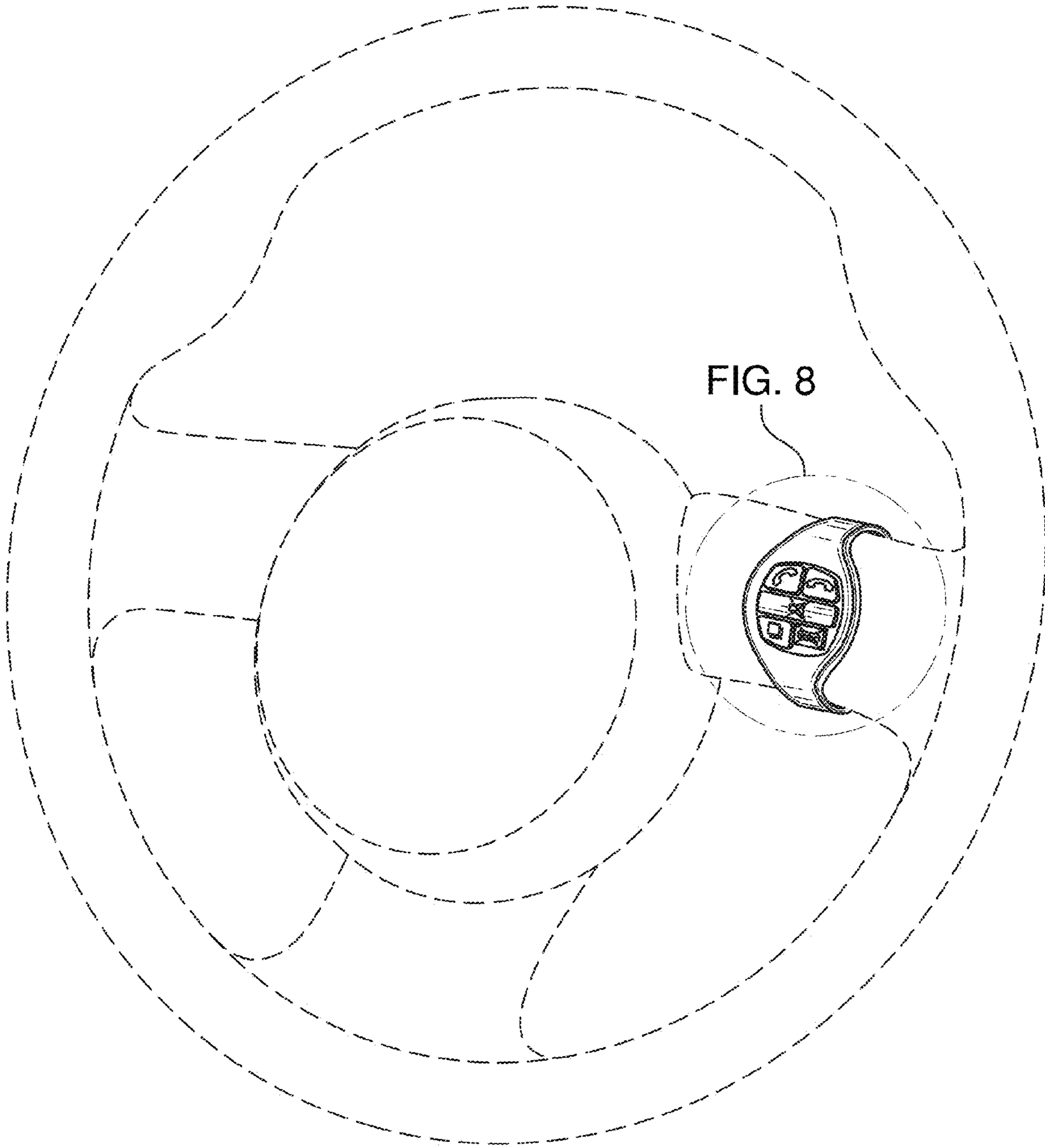


FIG. 7

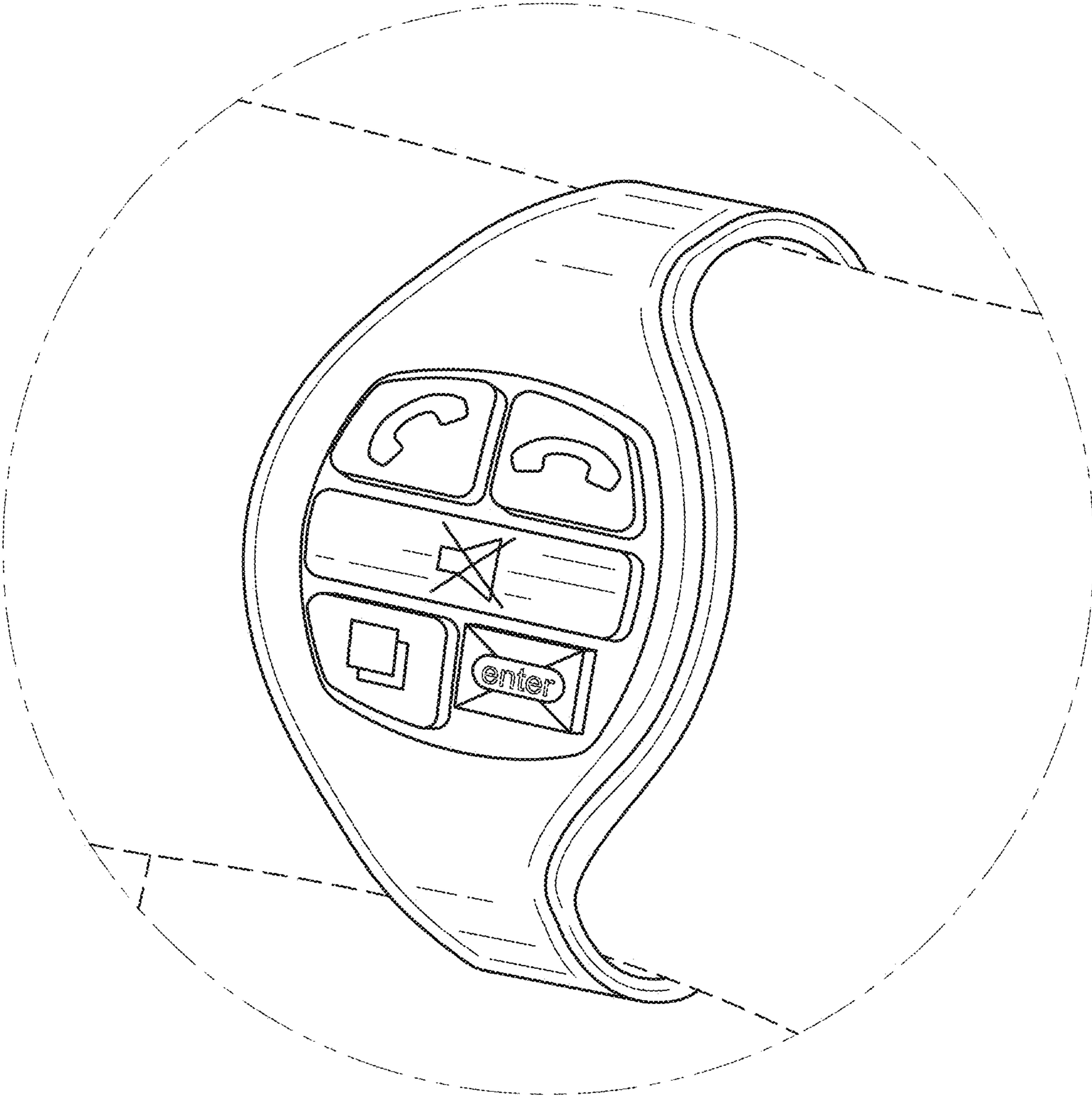


FIG. 8