



US00D878981S

(12) **United States Design Patent** (10) **Patent No.:** **US D878,981 S**
Maurer et al. (45) **Date of Patent:** **** Mar. 24, 2020**

(54) **STEERING WHEEL FOR MOTOR VEHICLE**

(71) Applicant: **Dr. Ing. h.c. F. Porsche**
Aktiengesellschaft, Stuttgart (DE)

(72) Inventors: **Ernst-Martin Maurer, Wildberg (DE);**
Gantimur Meißner, Berlin (DE);
Jochen Leinberger, Stuttgart (DE);
Samuel Gonzalez Moraleja,
Herrenberg (DE); Daniel Zarges,
Schwieberdingen (DE); Katja
Schwerdtfeger, Stuttgart (DE);
Dominic Arnold, Gerlingen (DE)

(73) Assignee: **Dr. Ing. h.c. F. Porsche**
Aktiengesellschaft (DE)

(**) Term: **15 Years**

(21) Appl. No.: **29/653,663**

(22) Filed: **Jun. 18, 2018**

(30) **Foreign Application Priority Data**

Dec. 19, 2017 (DE) 40 2017 101 393

(51) **LOC (12) Cl.** **12-16**

(52) **U.S. Cl.**
USPC **D12/176**

(58) **Field of Classification Search**
USPC D12/175, 176; 74/552, 558, 558.5
CPC B60R 21/203; B60R 21/05; B62D 1/04
See application file for complete search history.

(56) **References Cited**

U.S. PATENT DOCUMENTS

D626,478 S * 11/2010 Stephenson D12/176
D627,693 S * 11/2010 Pohanka D12/176
D635,069 S * 3/2011 Klein D12/176
D635,900 S * 4/2011 Anzi D12/176
D640,619 S * 6/2011 Araki D12/176

D651,542 S * 1/2012 Nagasawa D12/176
D651,543 S * 1/2012 Ali D12/176
D653,180 S * 1/2012 Tanaka D12/176
D692,813 S * 11/2013 Koyama D12/175
D696,991 S * 1/2014 Bose D12/176
D696,992 S * 1/2014 Pohanka D12/176
D706,186 S * 6/2014 Fukaya D12/176
D706,187 S * 6/2014 Tilscher D12/176
D709,006 S * 7/2014 Busse D12/176
D727,226 S * 4/2015 Mayerle D12/176
D741,759 S * 10/2015 Persson D12/176
D743,860 S * 11/2015 Nagumo D12/176
D758,933 S * 6/2016 Owaku D12/176
D760,134 S * 6/2016 Montousse D12/176

(Continued)

OTHER PUBLICATIONS

Design U.S. Appl. No. 29/615,428, by Maurer, filed Aug. 29, 2017.

Primary Examiner — Melody N Brown

(74) *Attorney, Agent, or Firm* — RatnerPrestia

(57) **CLAIM**

The ornamental design for a steering wheel for motor vehicle, as shown and described.

DESCRIPTION

FIG. 1 is a front perspective view of a steering wheel for motor vehicle;

FIG. 2 is a front elevation view thereof;

FIG. 3 is a rear elevation view thereof;

FIG. 4 is a left side elevation view thereof;

FIG. 5 is a right side elevation view thereof;

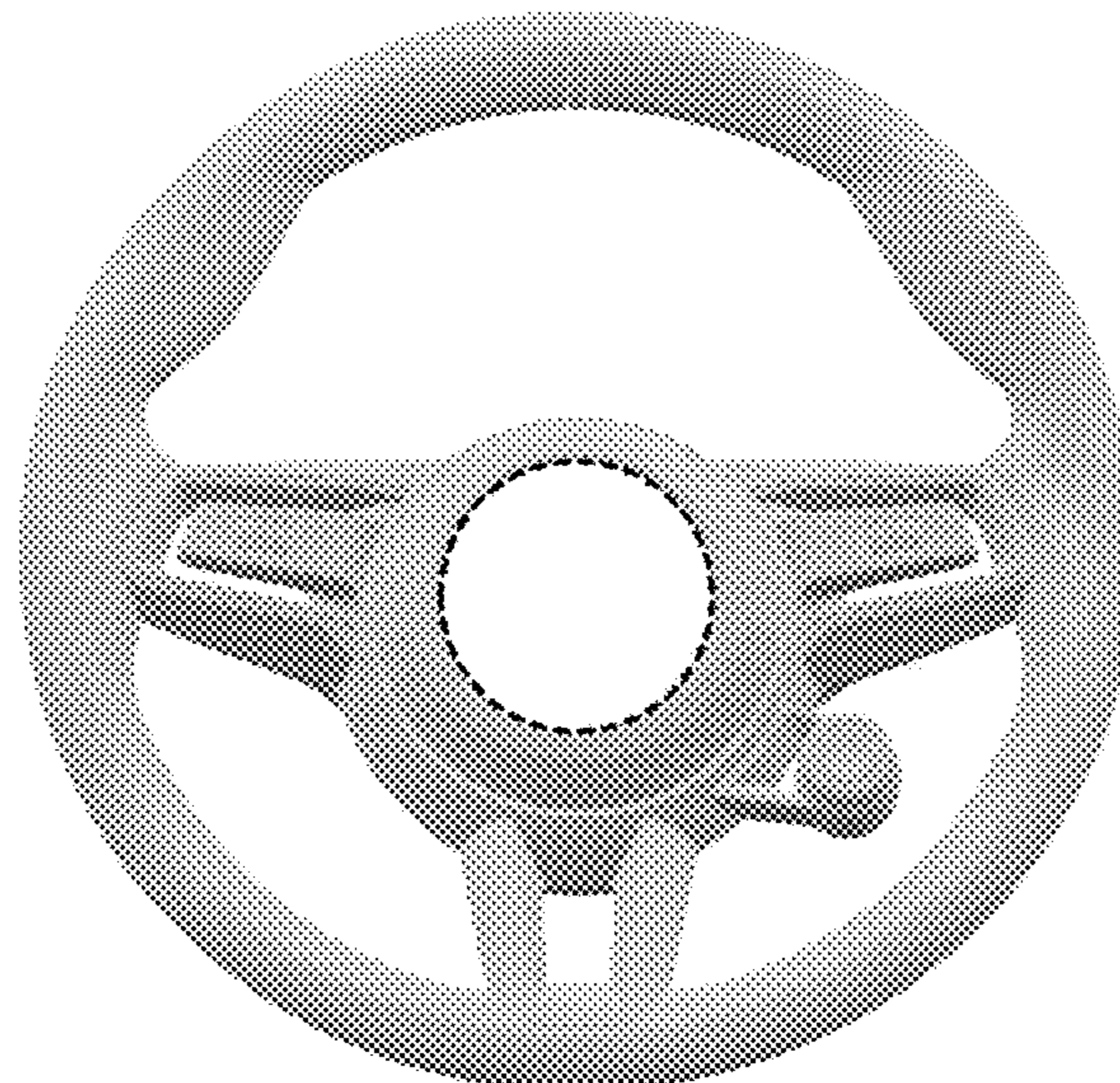
FIG. 6 is a top plan view thereof;

FIG. 7 is a bottom plan view thereof; and,

FIG. 8 is a rear perspective view thereof.

The broken line showing of the steering wheel for motor vehicle is for the purpose of illustrating portions of the steering wheel for motor vehicle and forms no part of the claimed design.

1 Claim, 8 Drawing Sheets



(56)

References Cited

U.S. PATENT DOCUMENTS

D768,041 S	*	10/2016	Turner	D12/176
D770,342 S		11/2016	Pohanka	
D772,124 S	*	11/2016	Lee	D12/176
D772,769 S	*	11/2016	Hamanaga	D12/176
D776,584 S	*	1/2017	Meissner	D12/176
D784,871 S	*	4/2017	Lee	D12/176
D787,390 S	*	5/2017	Kanda	D12/176
D789,261 S	*	6/2017	Goedecke	D12/176
D797,020 S	*	9/2017	Kazita	D12/176
D801,894 S	*	11/2017	Kasano	D12/176
D822,559 S	*	7/2018	Boyes	D12/176
D853,291 S	*	7/2019	Maurer	D12/176
D853,910 S	*	7/2019	Sandys	D12/176
D853,911 S	*	7/2019	Miyamoto	D12/176

* cited by examiner

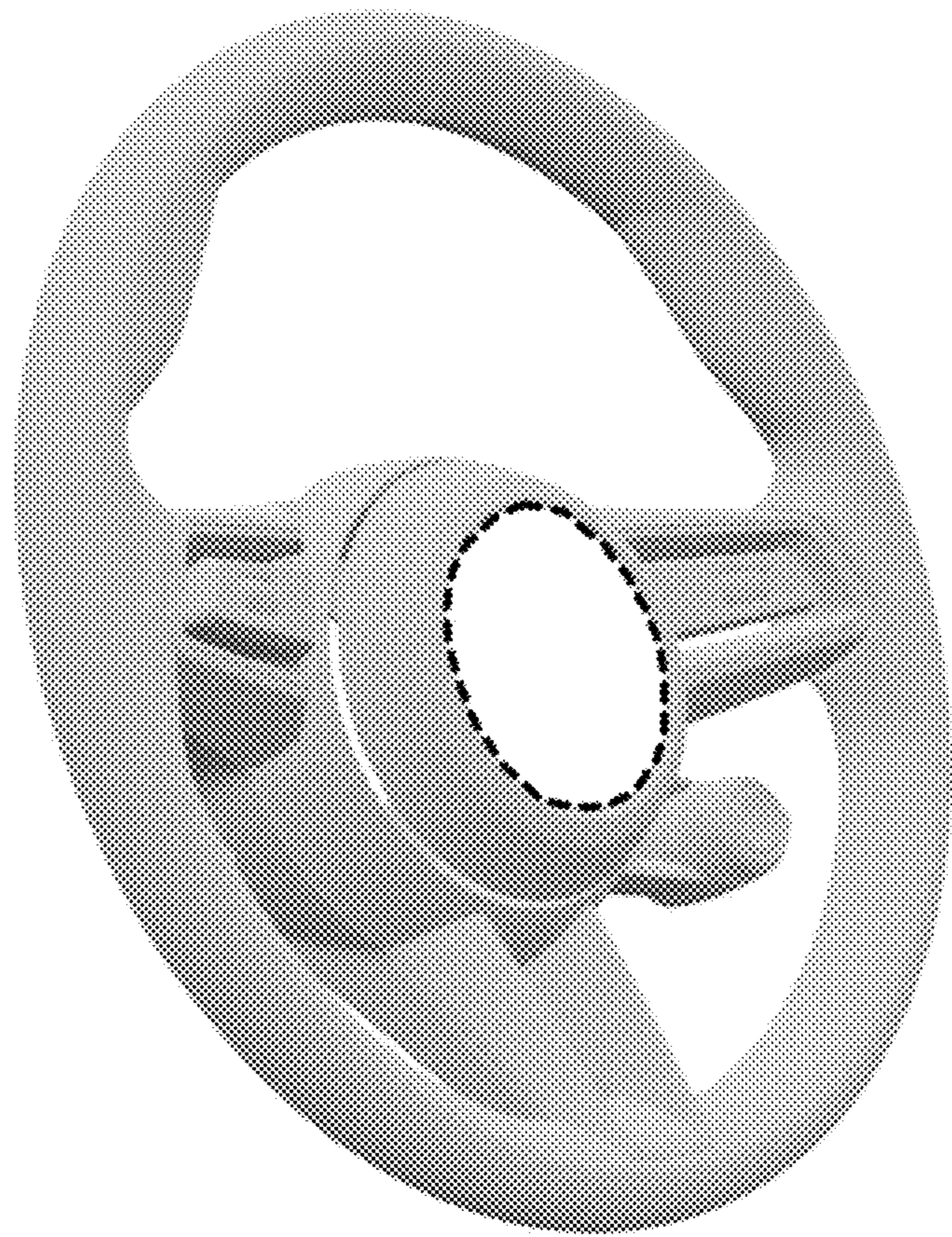


FIG. 1



FIG. 2

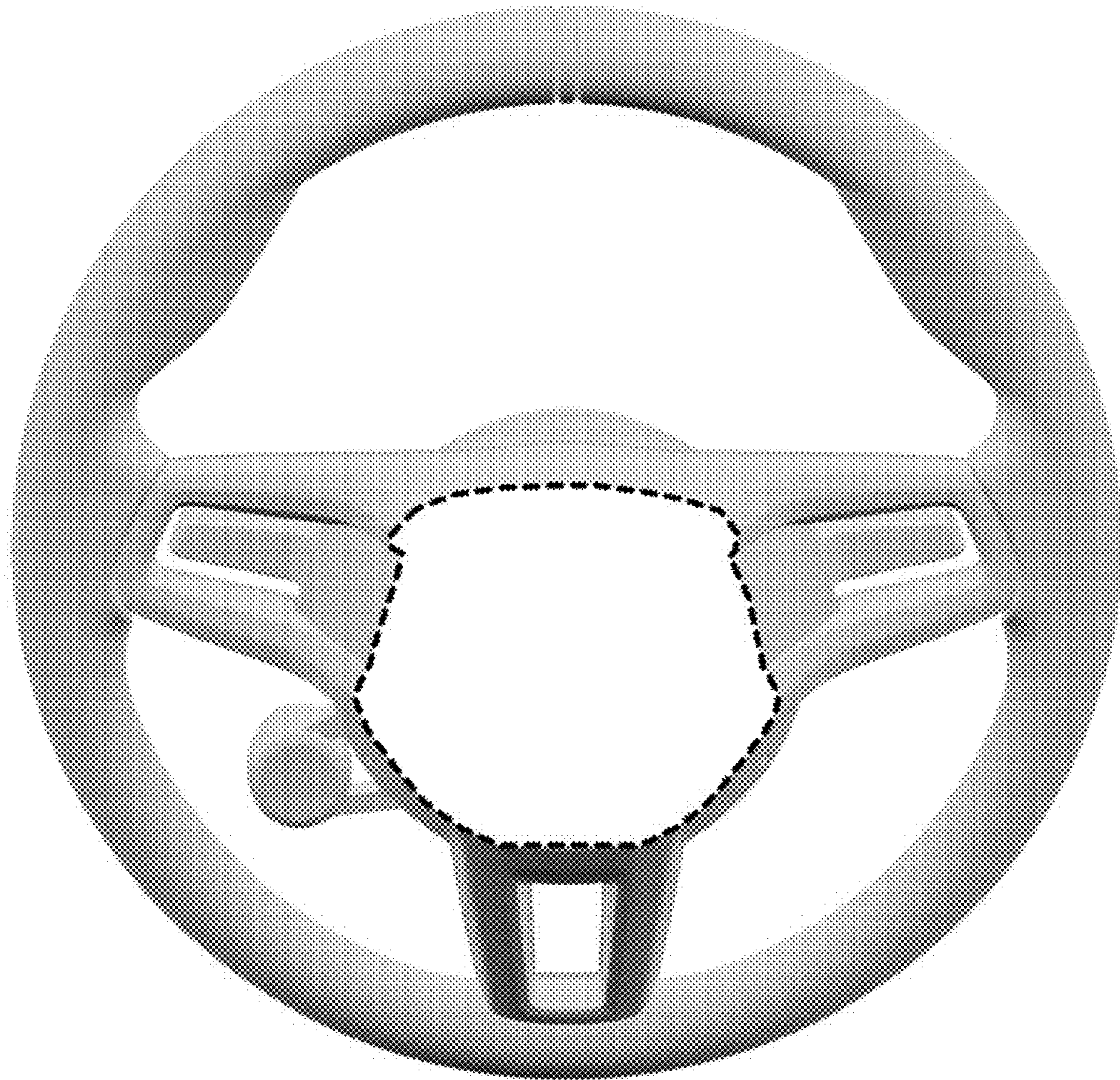


FIG. 3

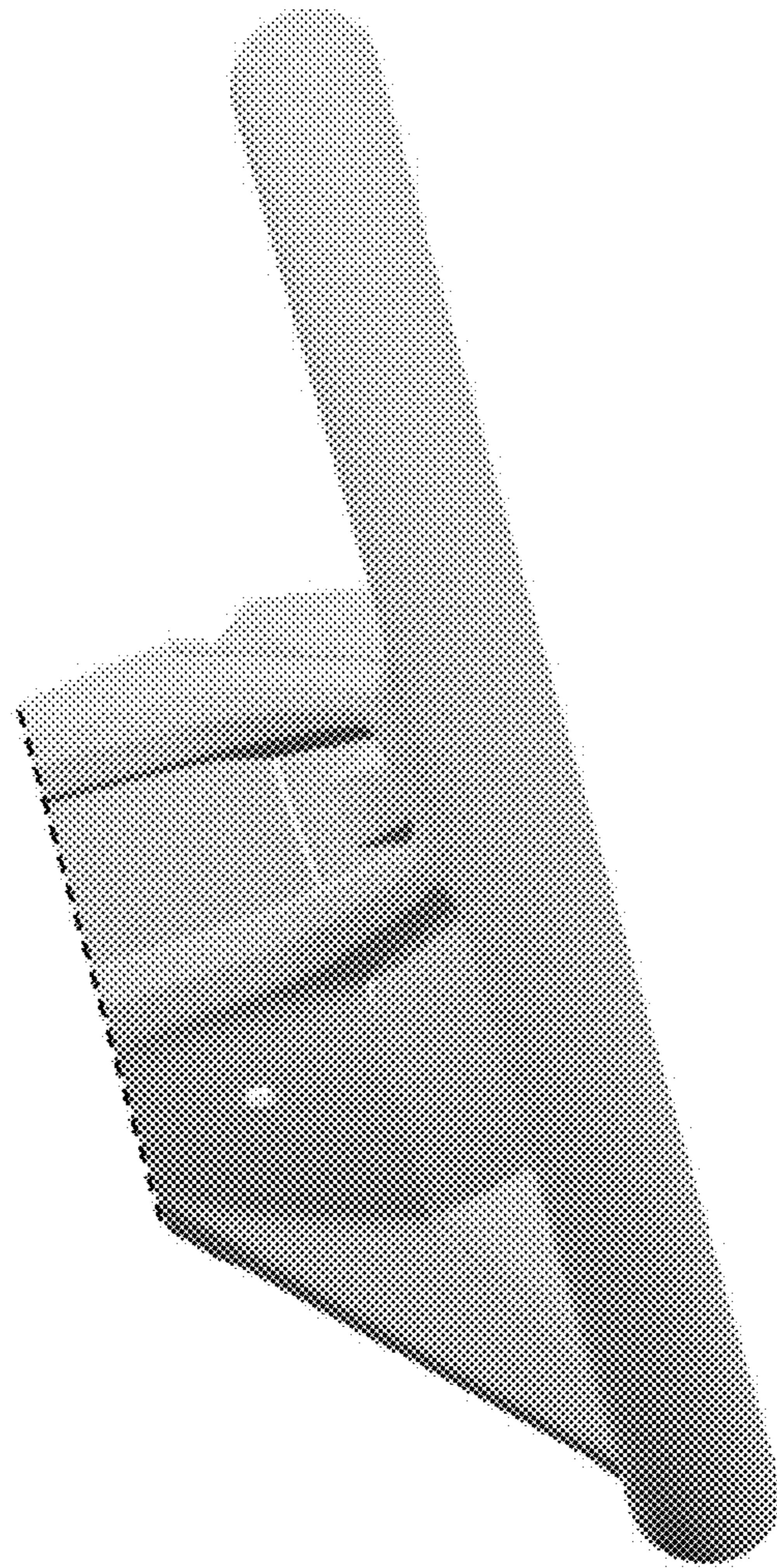


FIG. 4

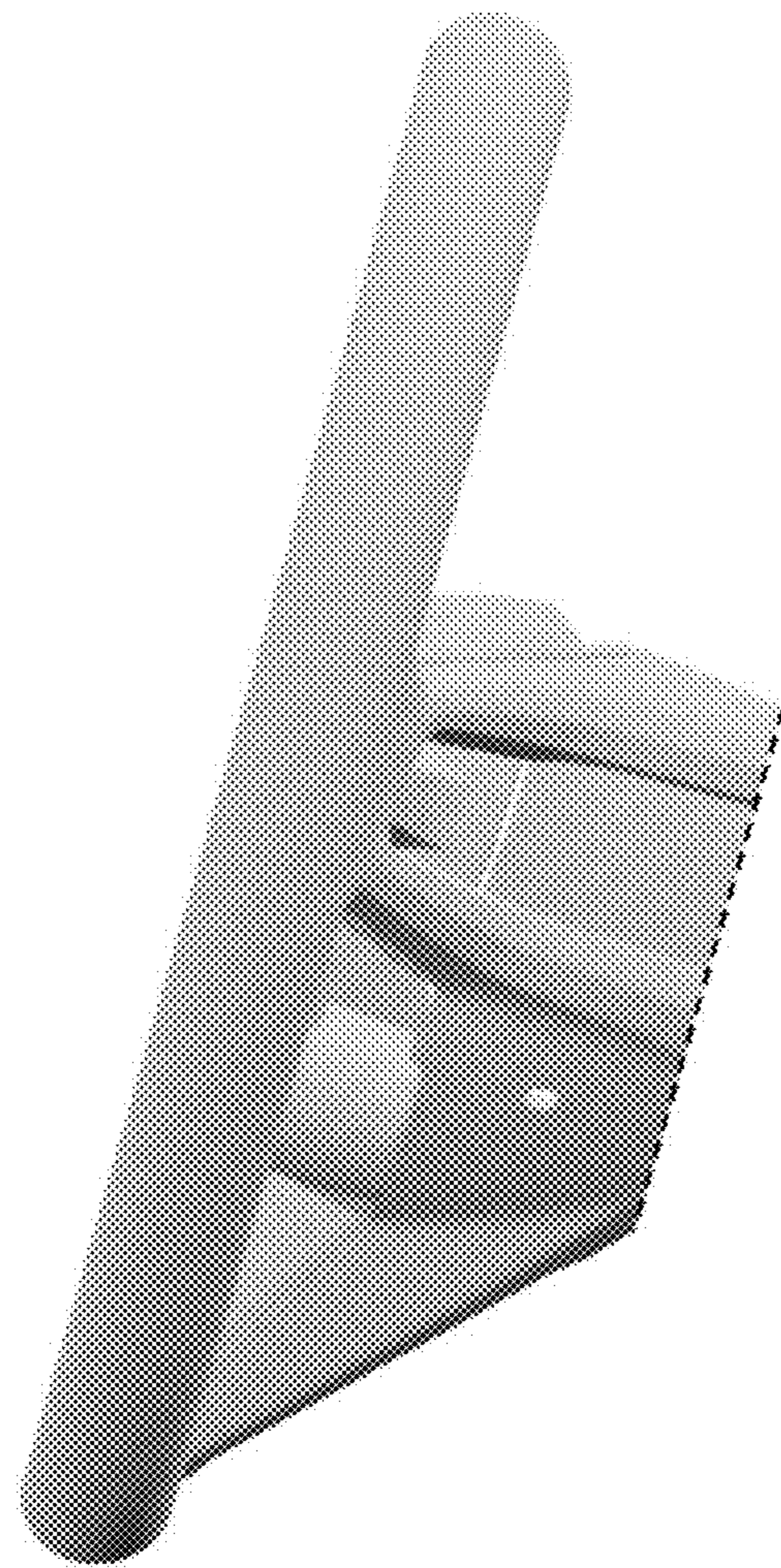


FIG. 5

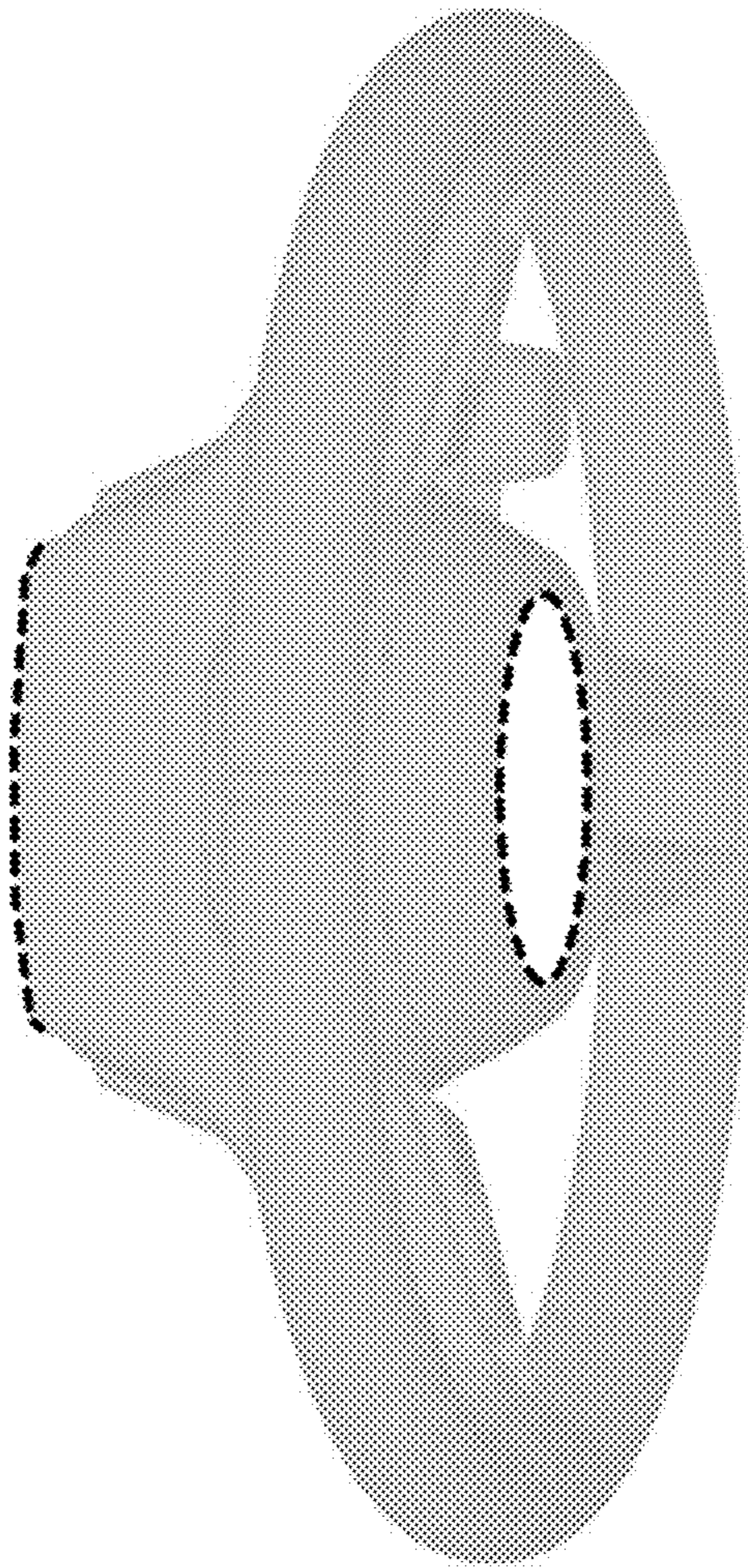


FIG. 6

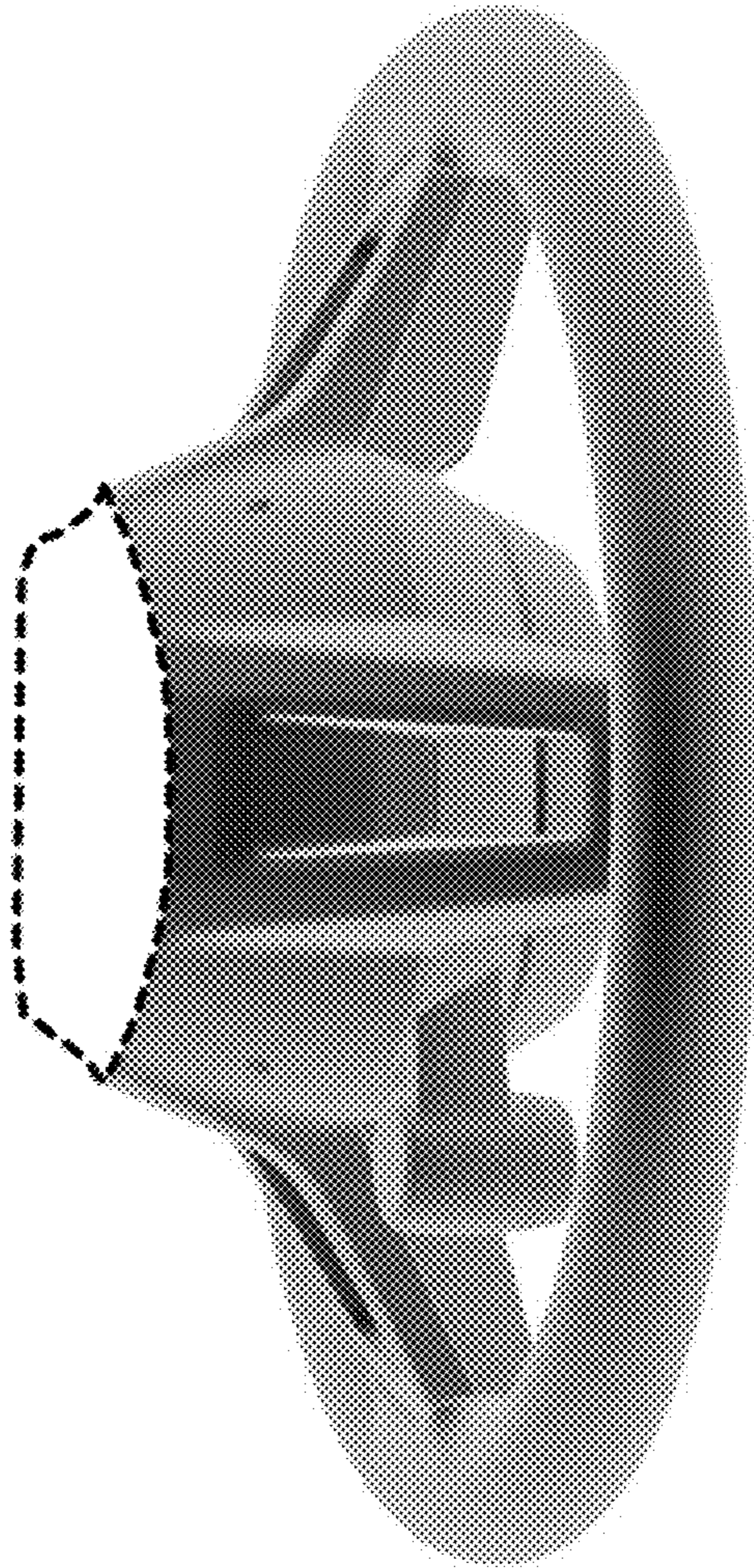


FIG. 7

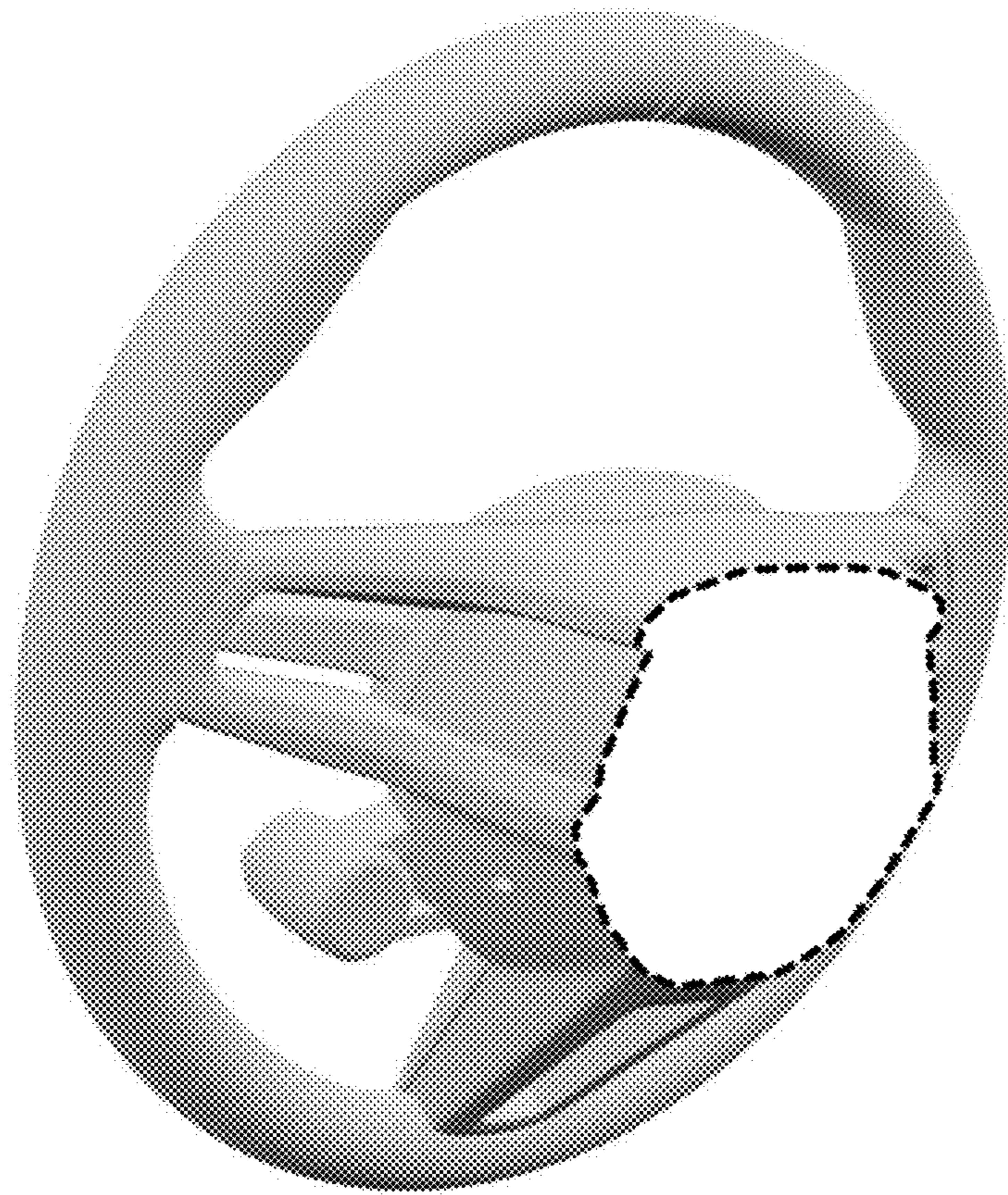


FIG. 8