



US00D878979S

(12) **United States Design Patent**
Zavala

(10) **Patent No.:** **US D878,979 S**
(45) **Date of Patent:** **** Mar. 24, 2020**

- (54) **VEHICLE FRONT GRILLE GUARD**
- (71) Applicant: **Westin Automotive Products, Inc.**,
San Dimas, CA (US)
- (72) Inventor: **Paul Zavala**, San Dimas, CA (US)
- (73) Assignee: **Westin Automotive Products, Inc.**,
San Dimas, CA (US)
- (**) Term: **15 Years**
- (21) Appl. No.: **29/665,873**
- (22) Filed: **Oct. 8, 2018**
- (51) **LOC (12) Cl.** **12-16**
- (52) **U.S. Cl.**
USPC **D12/171**
- (58) **Field of Classification Search**
USPC D12/86, 90, 91, 92, 163, 164, 169, 171,
D12/196, 216; D21/533, 538, 541, 542,
D21/548, 549, 551, 562
CPC B60R 19/02; B60R 19/18; B60R 19/24;
B60R 19/56; B60R 2019/007
See application file for complete search history.

- D422,953 S * 4/2000 Waagenaar D12/171
- D440,530 S * 4/2001 Geisler D12/171
- D523,383 S * 6/2006 Fox D12/171
- D528,481 S * 9/2006 Taveras D12/171
- 7,306,271 B2 * 12/2007 Kang B60R 19/52
293/115
- D572,180 S * 7/2008 Storer D12/171
- D606,913 S * 12/2009 Robertson D12/171
- D614,096 S * 4/2010 Fretz D12/171
- 8,585,107 B2 * 11/2013 Kekich, Jr. B60R 19/52
293/115
- 9,108,581 B2 * 8/2015 Perez B60Q 1/0005
- 9,840,218 B1 * 12/2017 Wymore B60R 19/50
- D840,300 S * 2/2019 Singh D12/171
- D840,573 S * 2/2019 Wymore D26/31
- 10,427,587 B2 * 10/2019 Wymore B60R 19/52

* cited by examiner

Primary Examiner — Darlington Ly
(74) *Attorney, Agent, or Firm* — The Dobrusin Law Firm,
PC

(57) **CLAIM**

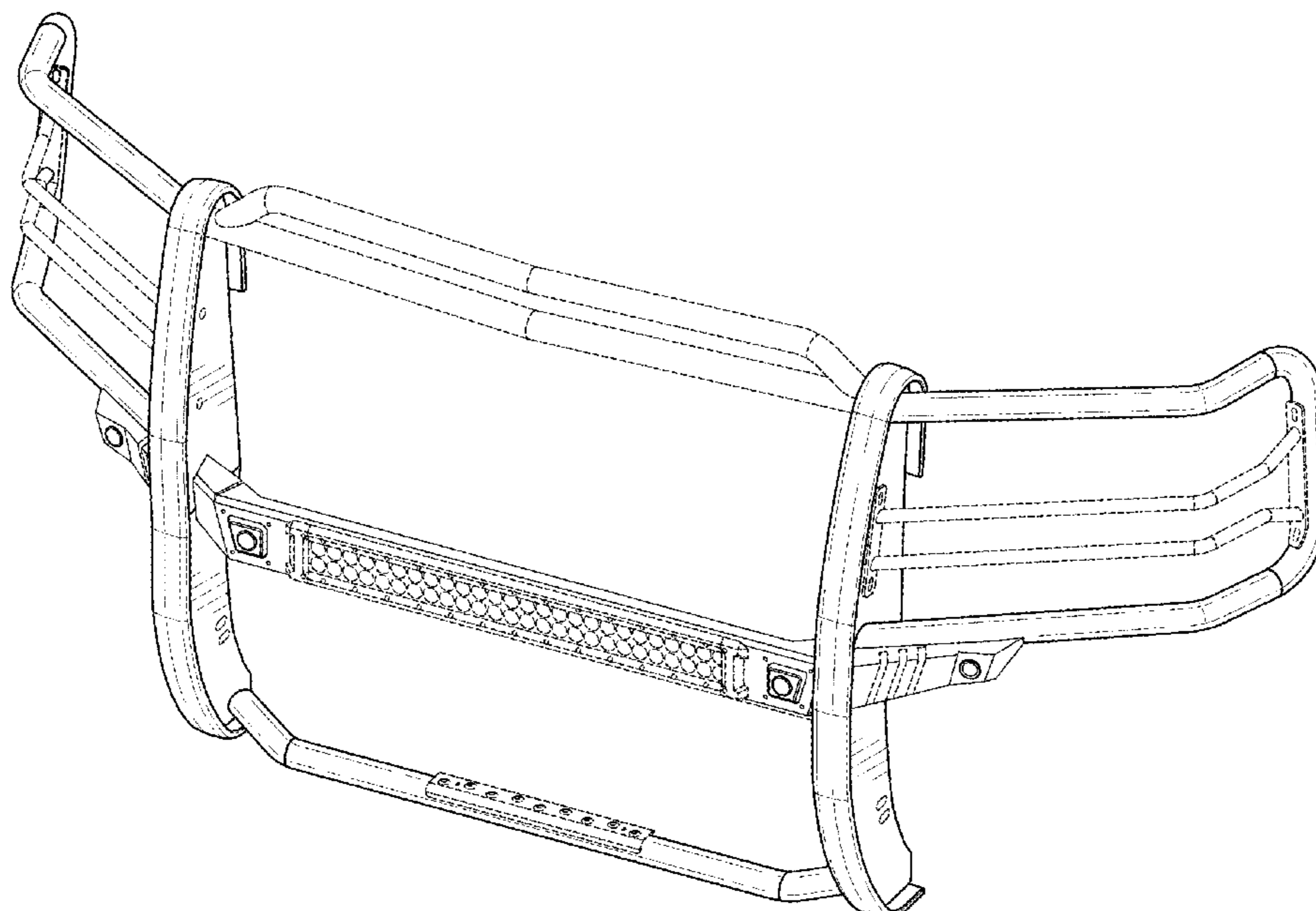
The ornamental design for a vehicle front grille guard, as shown and described.

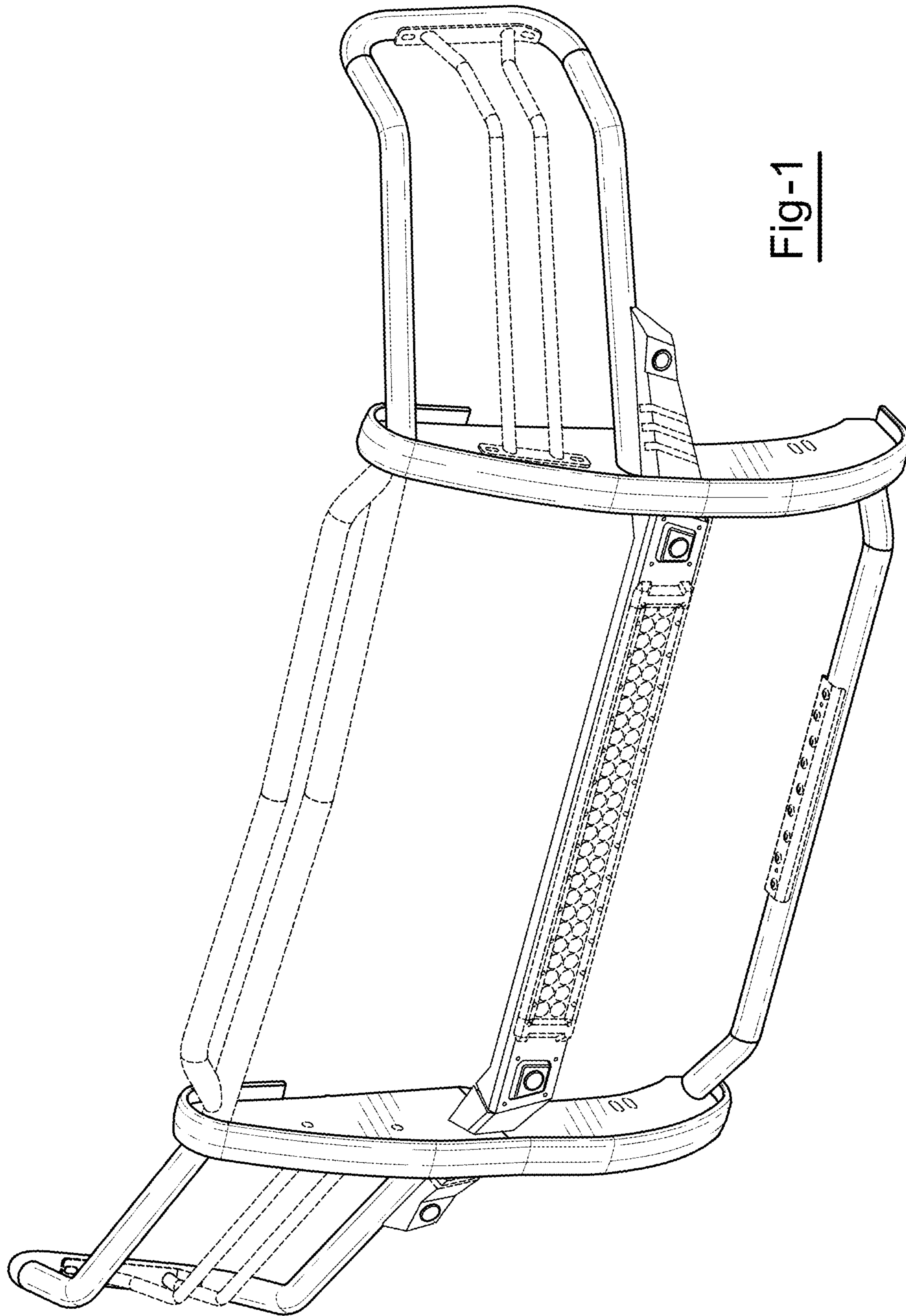
DESCRIPTION

FIG. 1 is a front perspective view of a vehicle front grille guard showing my new design;
FIG. 2 is a front elevation view thereof;
FIG. 3 is a top plan view thereof;
FIG. 4 is a bottom plan view thereof;
FIG. 5 is a right side elevation view thereof;
FIG. 6 is a left side elevation view thereof; and,
FIG. 7 is a rear elevation view thereof.
The broken lines in the drawings illustrate portions of the vehicle front grille guard that form no part of the claimed design.

1 Claim, 5 Drawing Sheets

- (56) **References Cited**
U.S. PATENT DOCUMENTS
- D280,398 S * 9/1985 Milton D12/171
- D307,256 S * 4/1990 Holland D12/171
- D333,457 S * 2/1993 La Foe D12/171
- D361,316 S * 8/1995 Orth, Sr. D12/171
- D383,719 S * 9/1997 Thorne D12/171
- D384,625 S * 10/1997 Thorne D12/171
- D388,042 S * 12/1997 Thorne D12/171
- D396,678 S * 8/1998 Shklyaver D12/171
- D410,879 S * 6/1999 Orth, Sr. D12/171
- D416,219 S * 11/1999 Waagenaar D12/171
- D422,952 S * 4/2000 Waagenaar D12/171





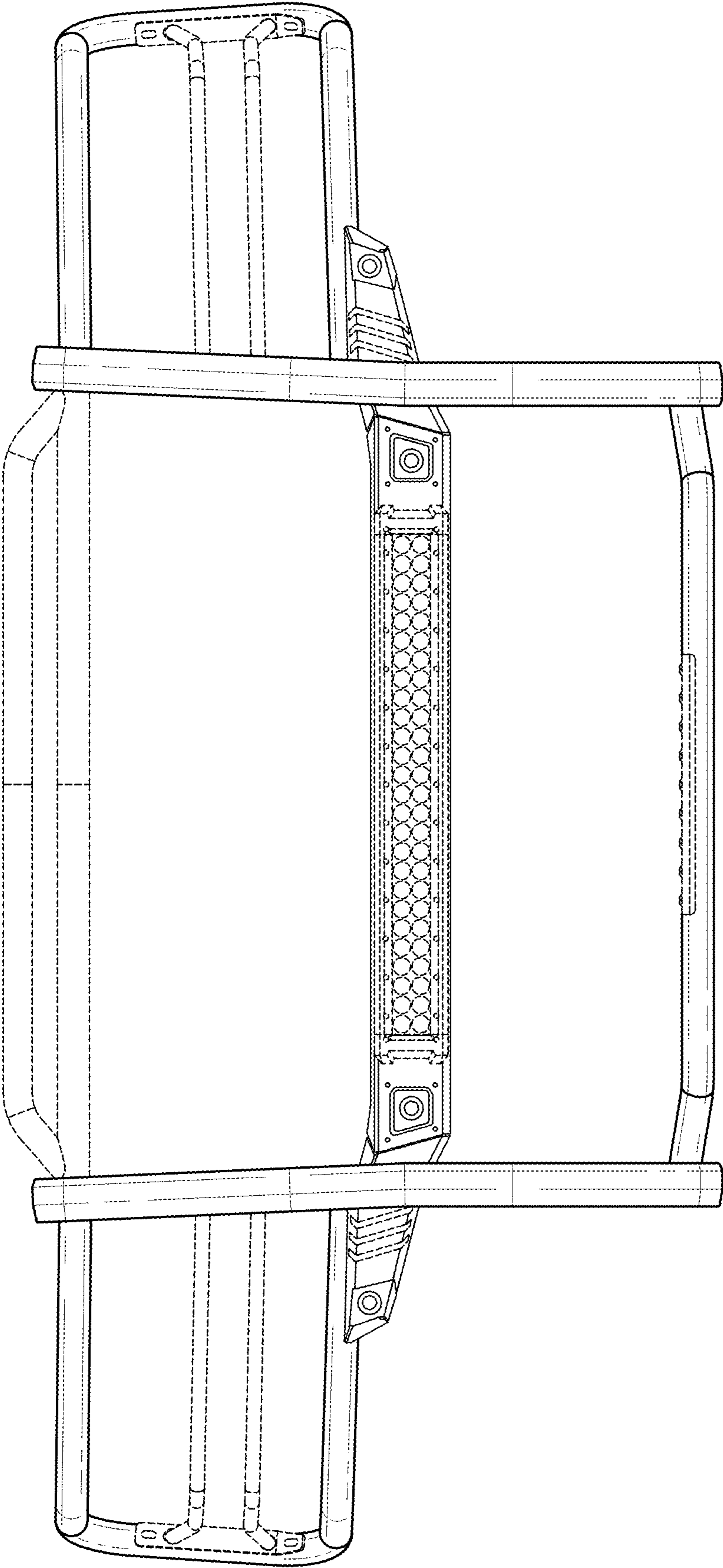


Fig-2

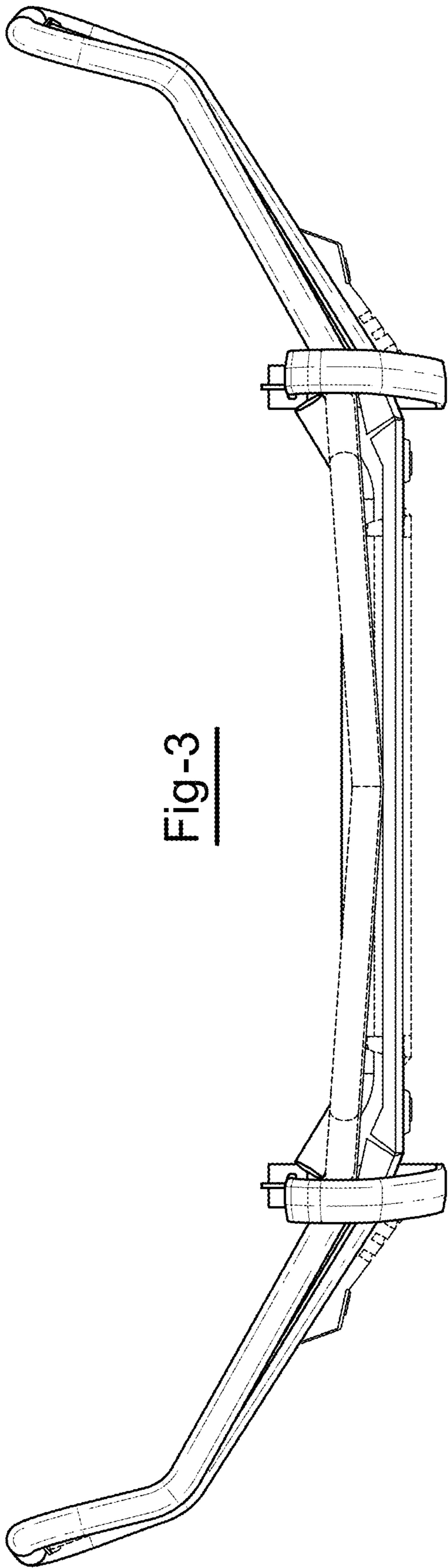


Fig-3

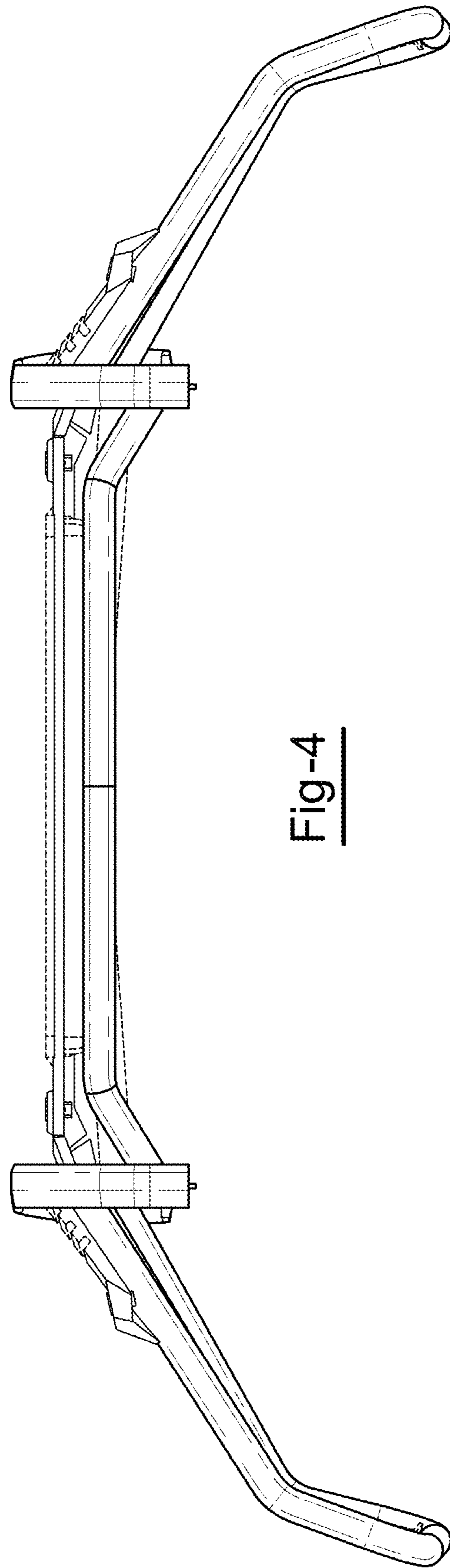


Fig-4

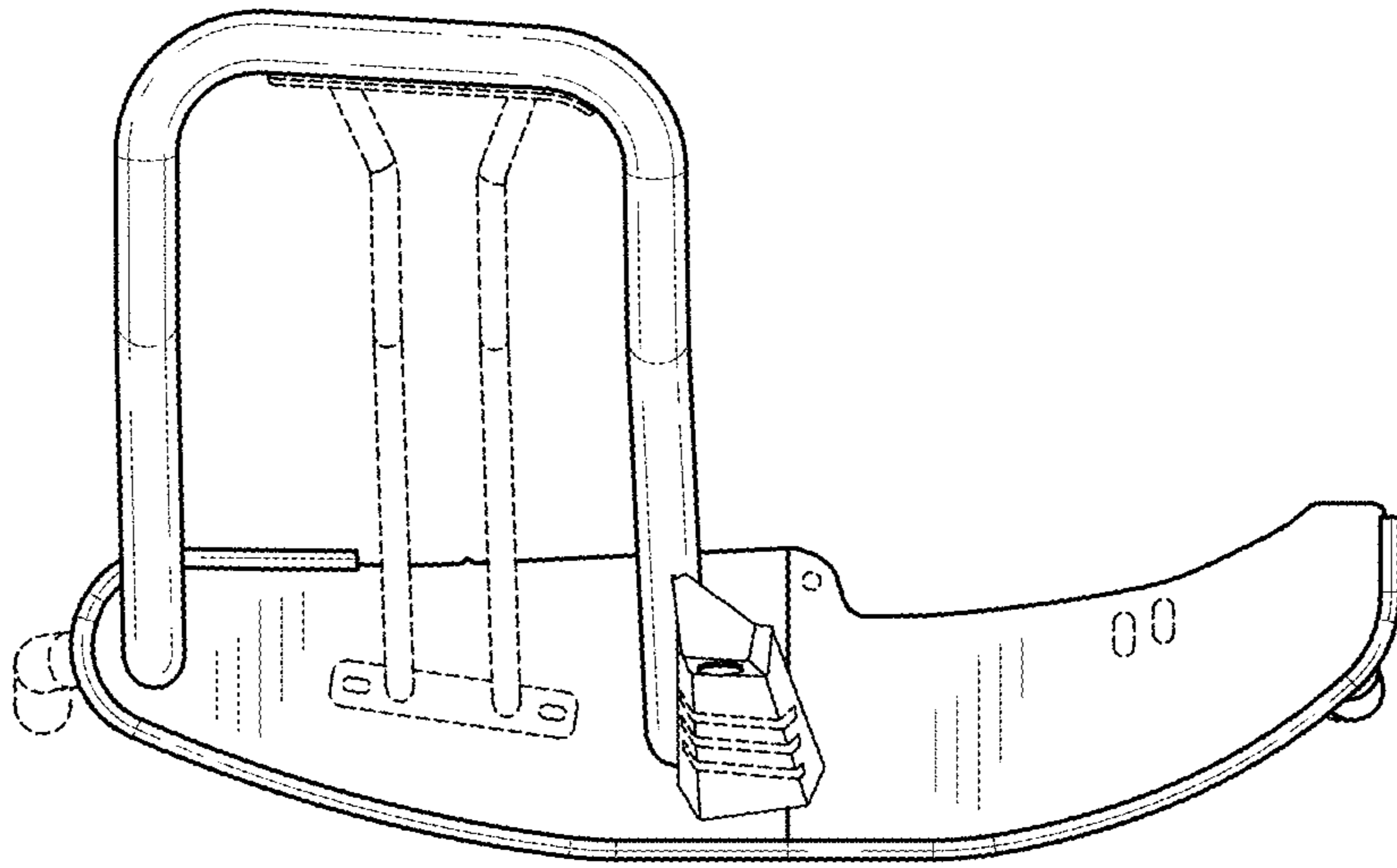


Fig-6

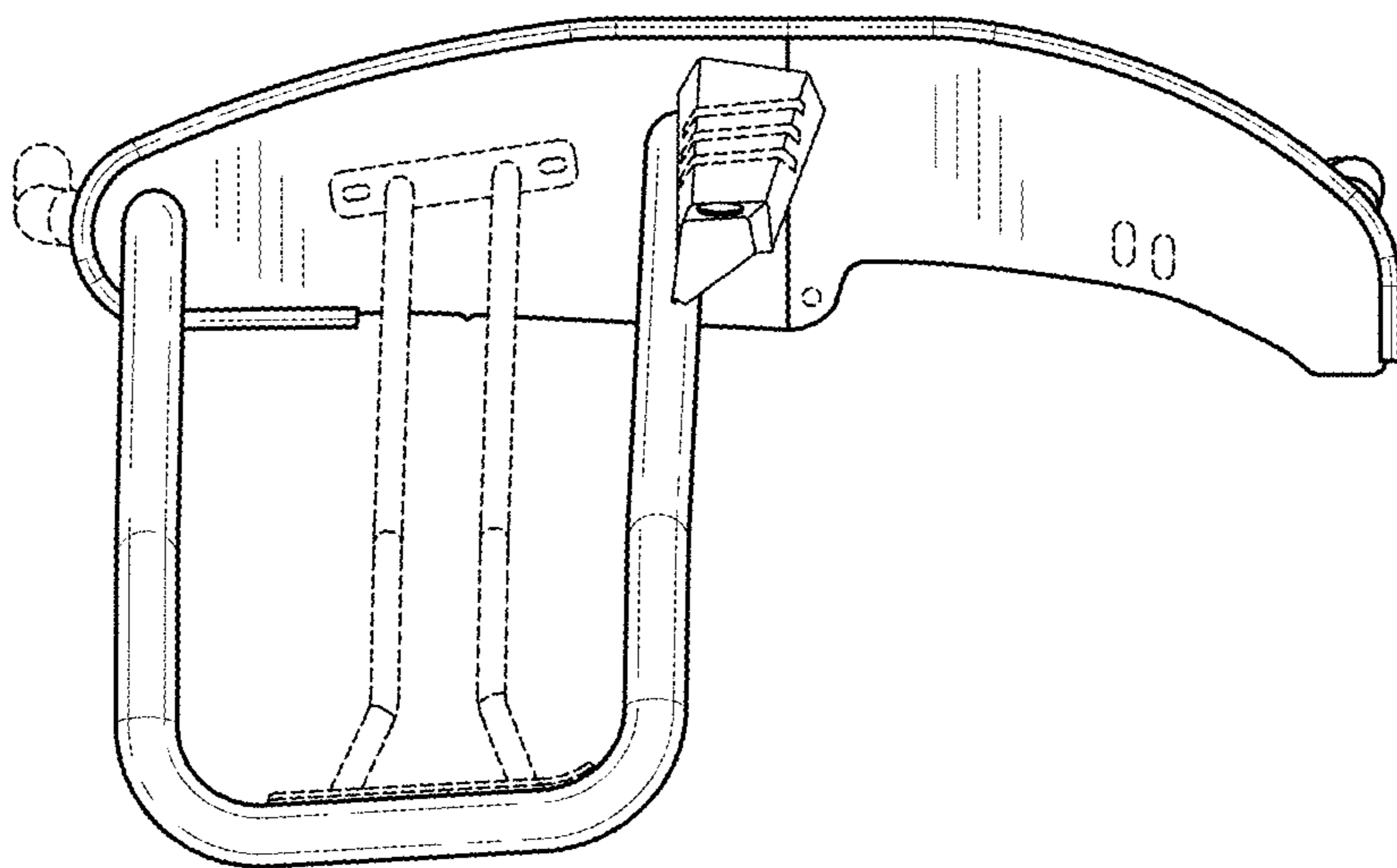


Fig-5

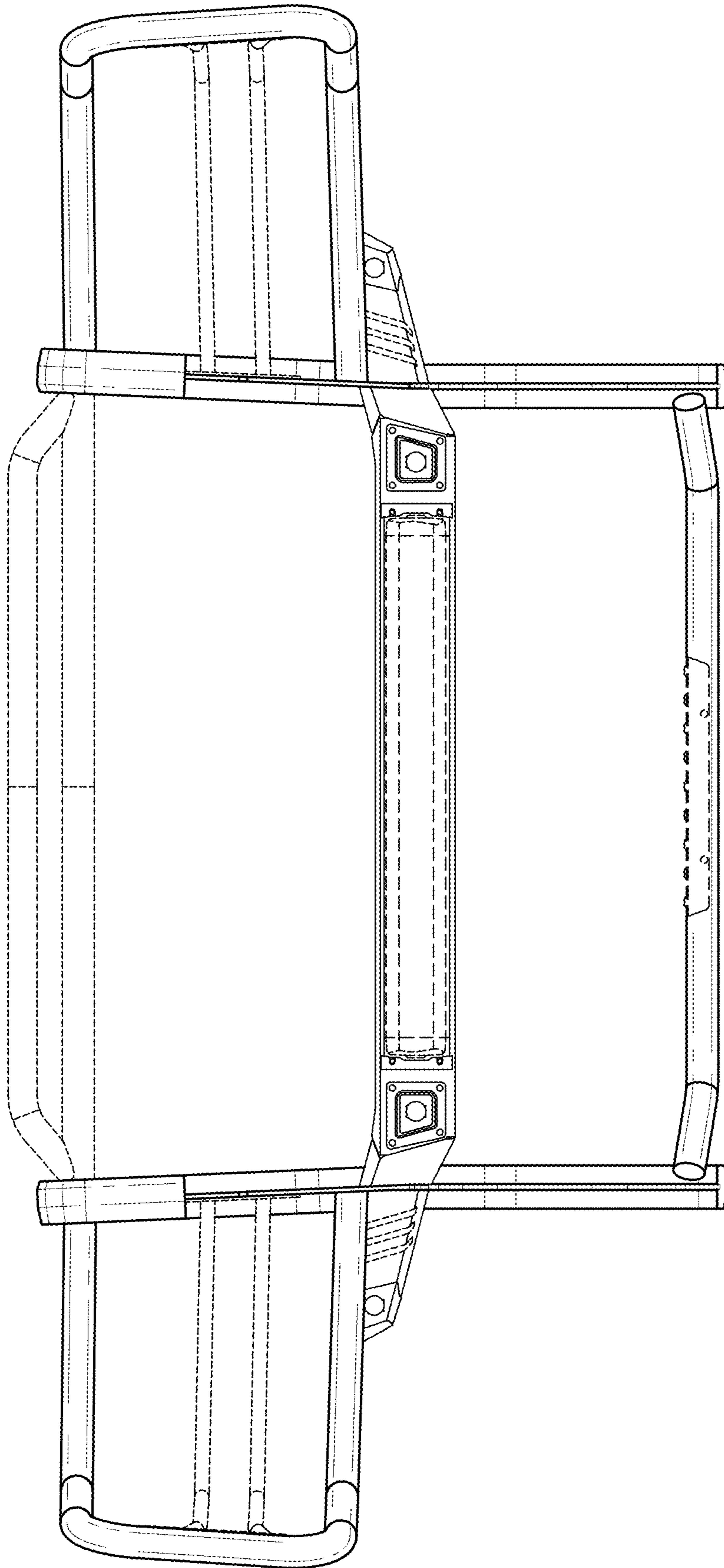


Fig-7