



US00D878978S

(12) **United States Design Patent**  
**Li**

(10) **Patent No.:** **US D878,978 S**  
(45) **Date of Patent:** **\*\* Mar. 24, 2020**

- (54) **FRONT BUMPER**
- (71) Applicant: **M2 Distribution Ltd.**, Port Coquitlam (CA)
- (72) Inventor: **Ming Li**, Coquitlam (CA)
- (73) Assignee: **M2 Distribution Ltd.**, Port Coquitlam (CA)
- (\*\*) Term: **15 Years**
- (21) Appl. No.: **29/665,212**
- (22) Filed: **Oct. 1, 2018**
- (51) **LOC (12) Cl.** ..... **12-16**
- (52) **U.S. Cl.**  
USPC ..... **D12/171; D12/169**
- (58) **Field of Classification Search**  
USPC ..... D12/86, 90, 91, 92, 163, 164, 169, 171, D12/196, 216  
CPC ..... B60R 19/02; B60R 19/18; B60R 19/24; B60R 19/56; B60R 2019/007; B62D 25/0845  
See application file for complete search history.

D751,012 S *	3/2016	Hare .....	D12/169
D760,133 S *	6/2016	Bennett .....	D12/171
D771,537 S *	11/2016	Hare .....	D12/169
D775,013 S *	12/2016	Bennett .....	D12/169
D775,016 S *	12/2016	Reynolds .....	D12/171
D776,582 S *	1/2017	Bennett .....	D12/169
D777,619 S *	1/2017	Barajas .....	D12/167
D792,818 S *	7/2017	McMath .....	D12/169
D793,304 S *	8/2017	McMath .....	D12/169
D800,036 S *	10/2017	Bennett .....	D12/169
D826,115 S *	8/2018	Chi .....	D12/172
D833,922 S *	11/2018	DiCanzio .....	D12/163
D847,051 S *	4/2019	DiCanzio .....	D12/171
2017/0088076 A1 *	3/2017	Fujimoto .....	B60R 19/44

\* cited by examiner

*Primary Examiner* — Darlington Ly  
(74) *Attorney, Agent, or Firm* — Eric J. Sosenko; Jonathan P. O'Brien; Honigman LLP

(57) **CLAIM**

The ornamental design for a front bumper, as shown and described.

**DESCRIPTION**

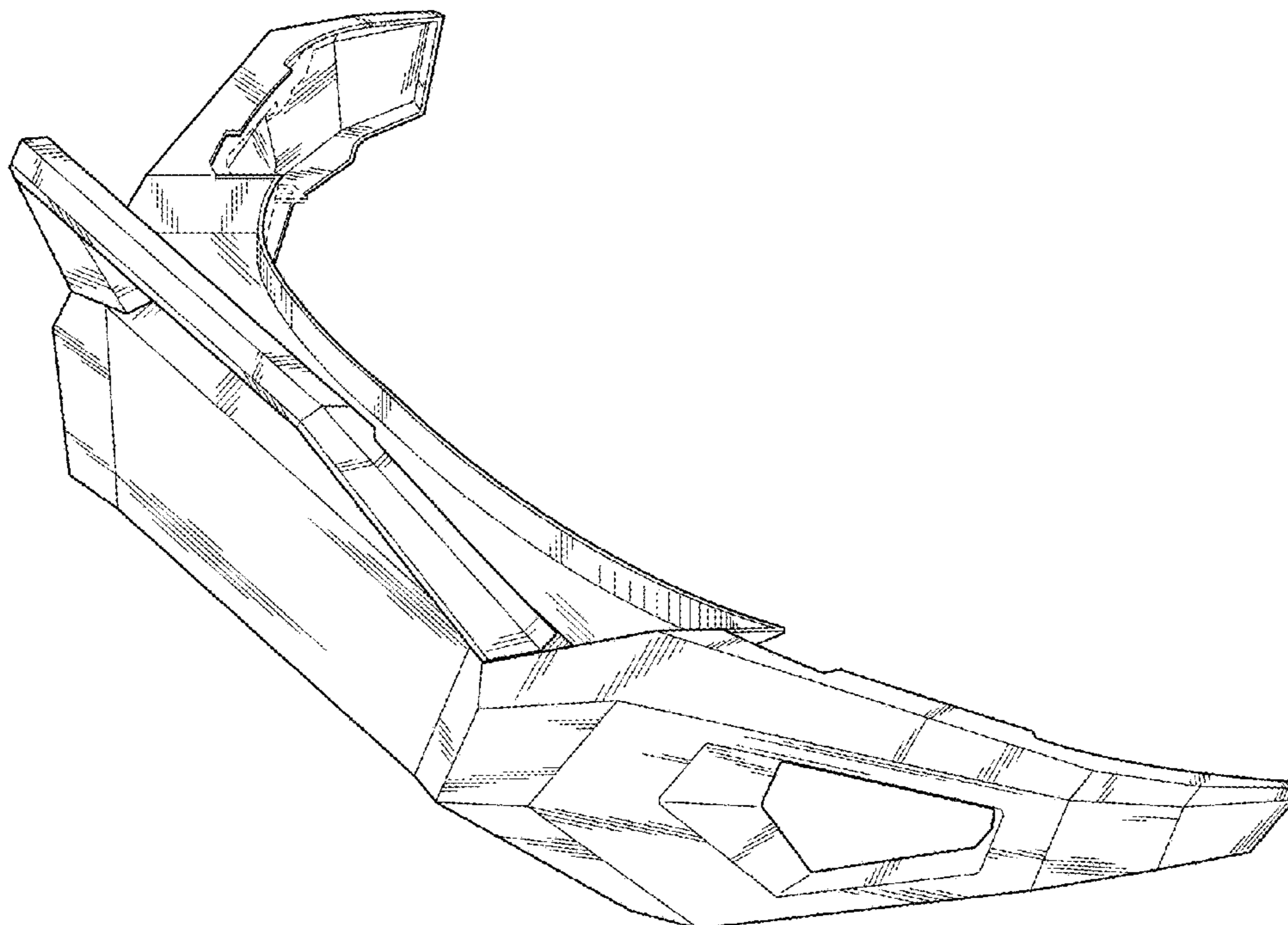
FIG. 1 is a perspective view of a front bumper for a vehicle showing my new design;  
FIG. 2 is a left side elevation view thereof;  
FIG. 3 is a right side elevation view thereof;  
FIG. 4 is a top plan view thereof;  
FIG. 5 is a front elevation view thereof;  
FIG. 6 is a bottom plan view thereof; and,  
FIG. 7 is a rear elevation view thereof.  
The broken lines in the drawings illustrate portions of the front bumper that form no part of the claimed design.

**1 Claim, 3 Drawing Sheets**

(56) **References Cited**

**U.S. PATENT DOCUMENTS**

D300,128 S *	3/1989	Brennan .....	D12/169
D375,067 S *	10/1996	Bronstein .....	D12/169
D432,469 S *	10/2000	Nelson .....	D12/169
D502,433 S *	3/2005	McClanahan .....	D12/169
7,703,834 B1 *	4/2010	Hardy .....	B60R 9/06 296/102
D744,384 S *	12/2015	Harriton .....	D12/169
D744,387 S *	12/2015	Harriton .....	D12/169



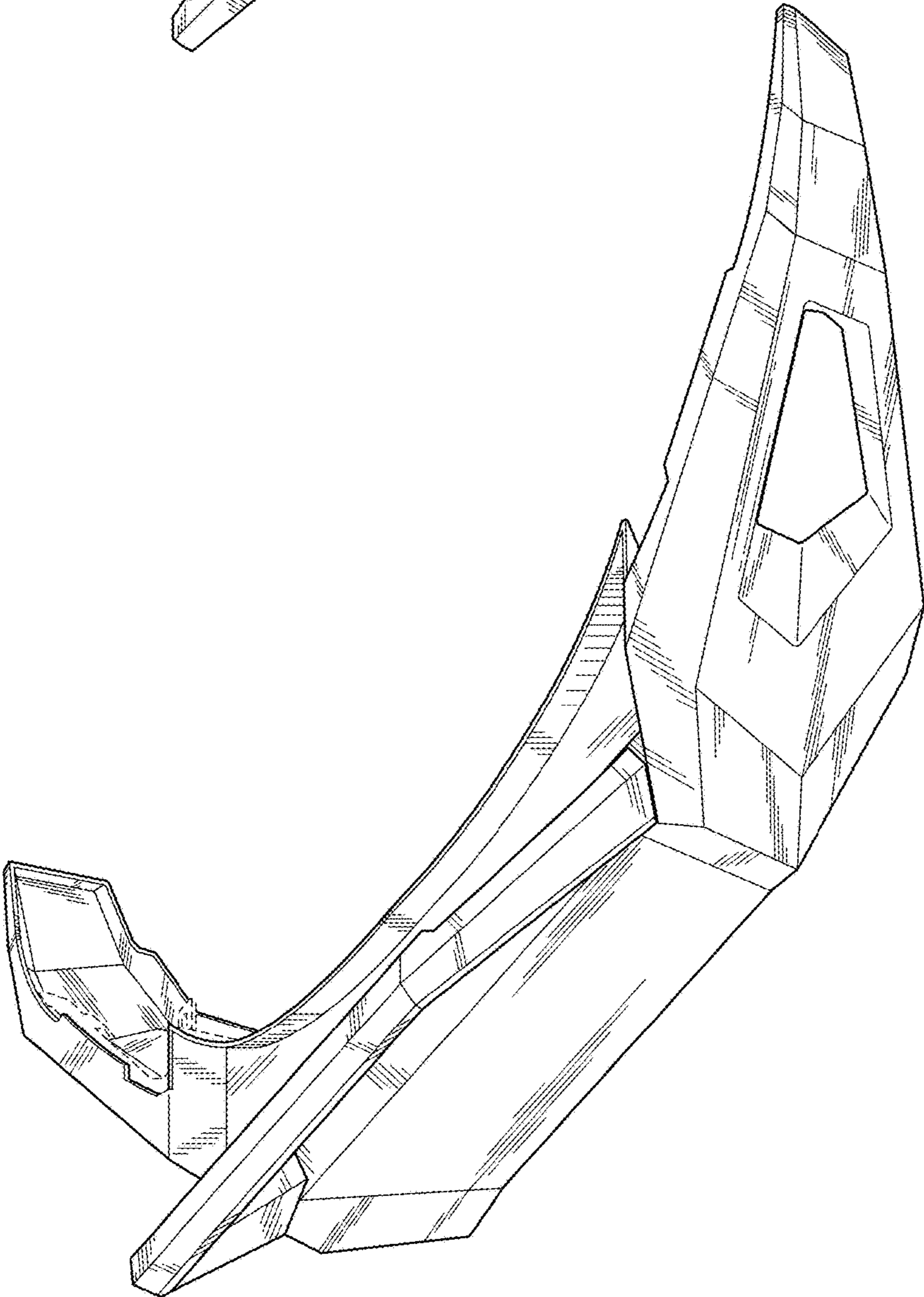


FIG. 1

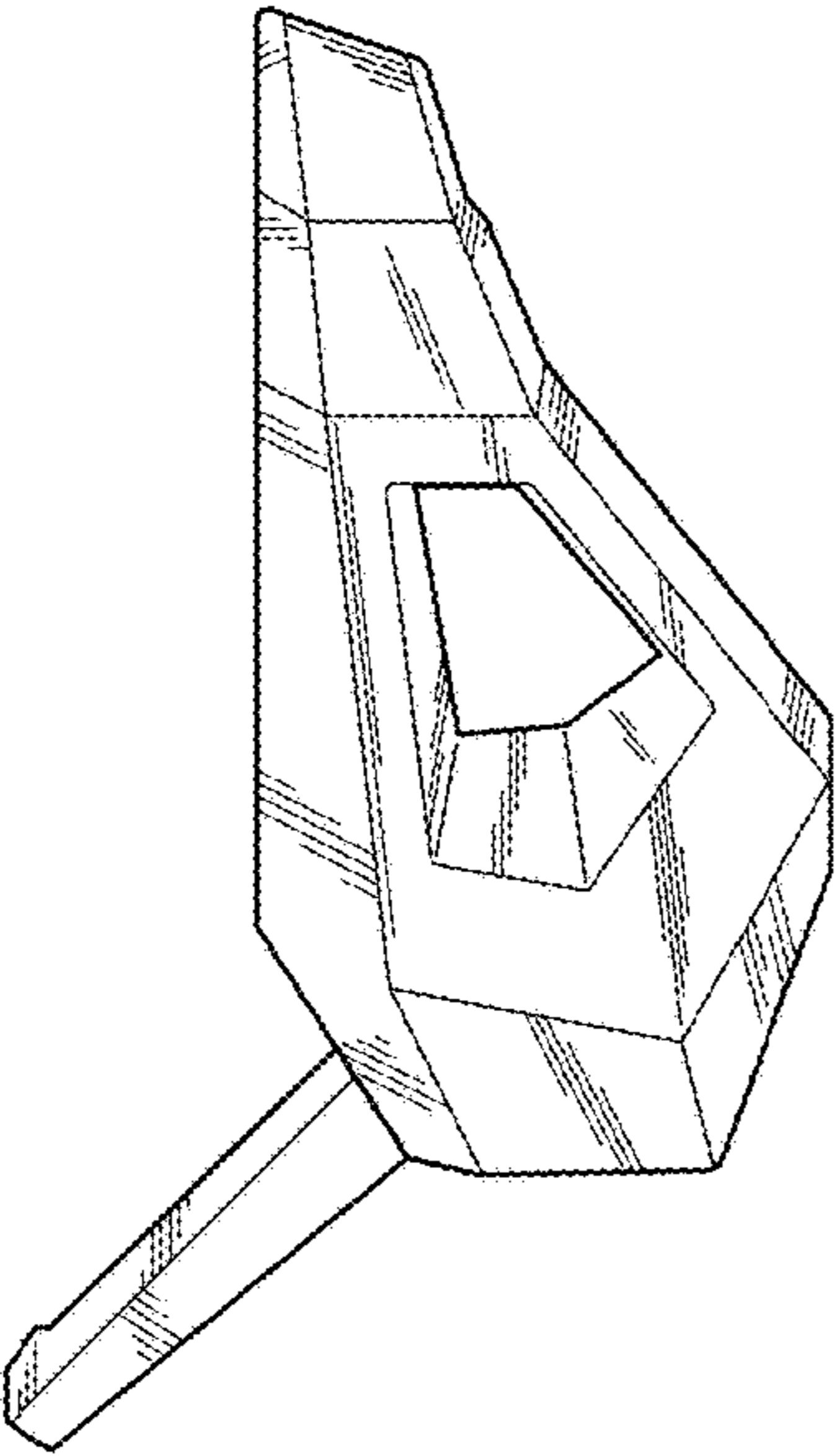


FIG. 2

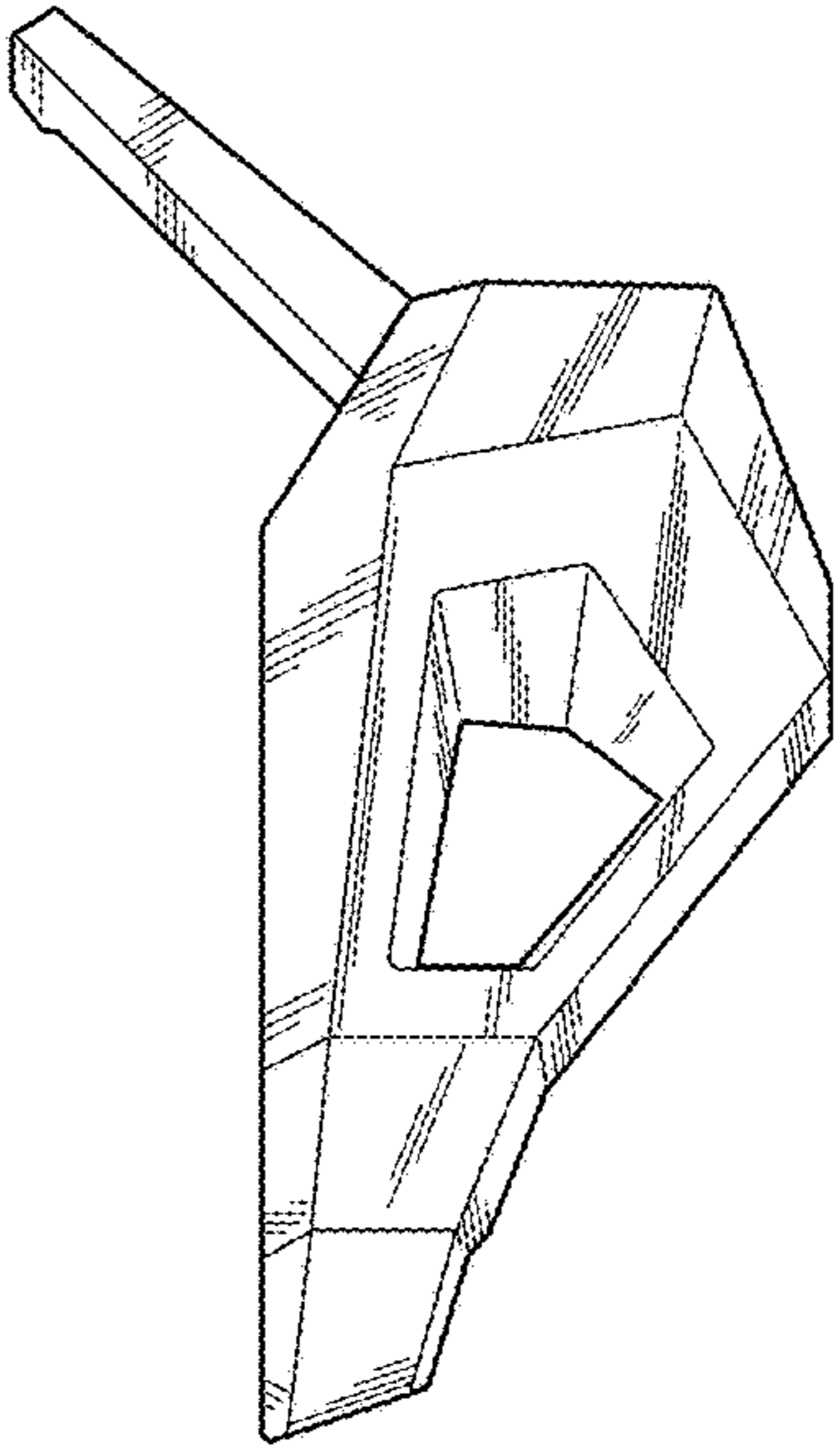


FIG. 3

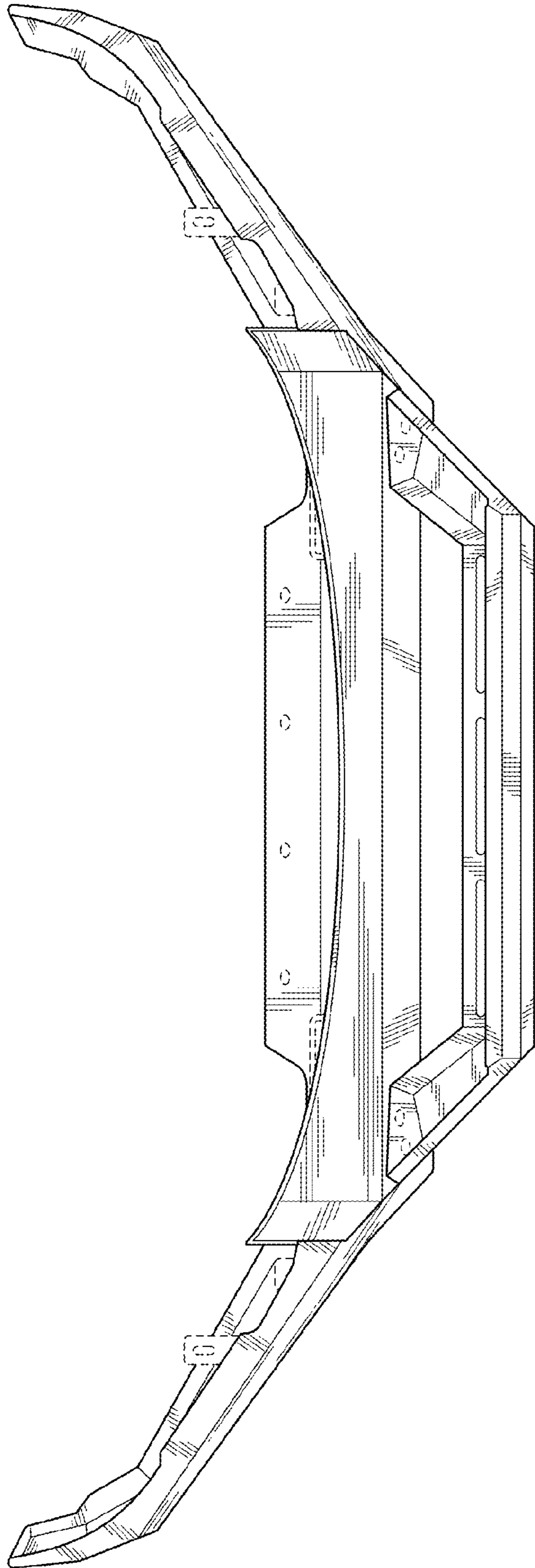


FIG. 4

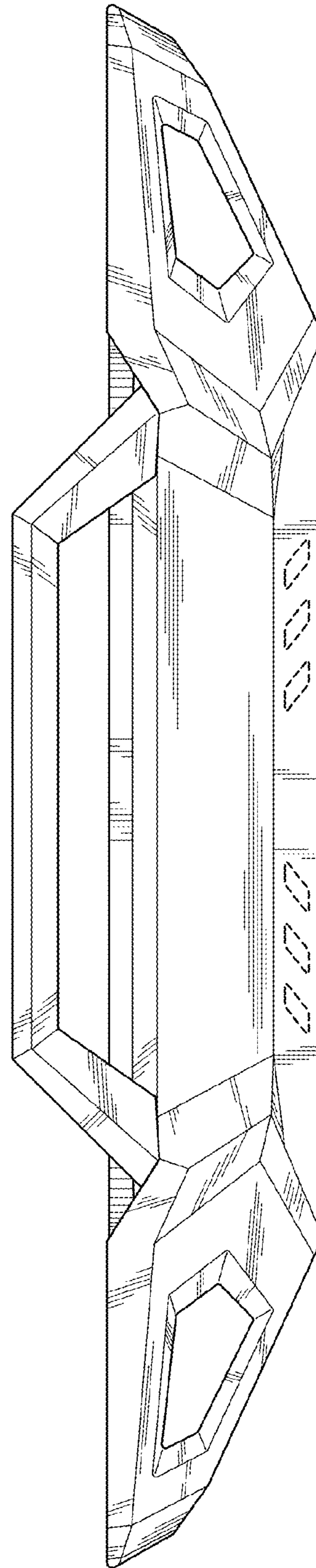


FIG. 5

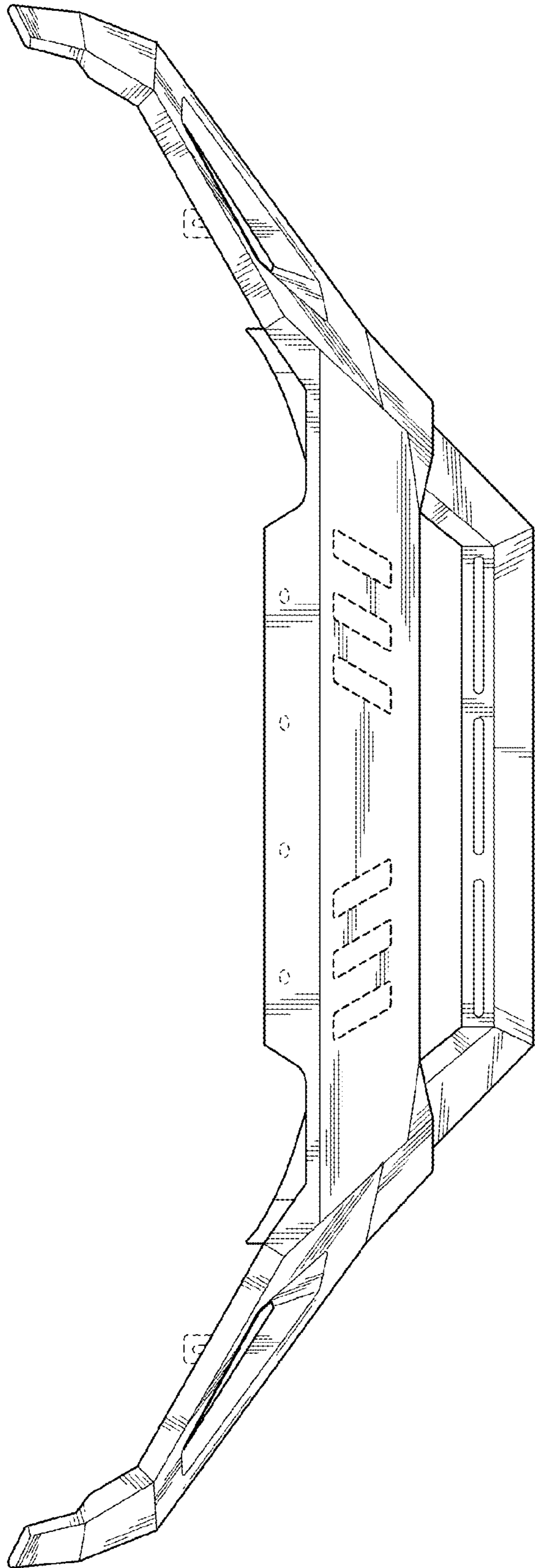


FIG. 6

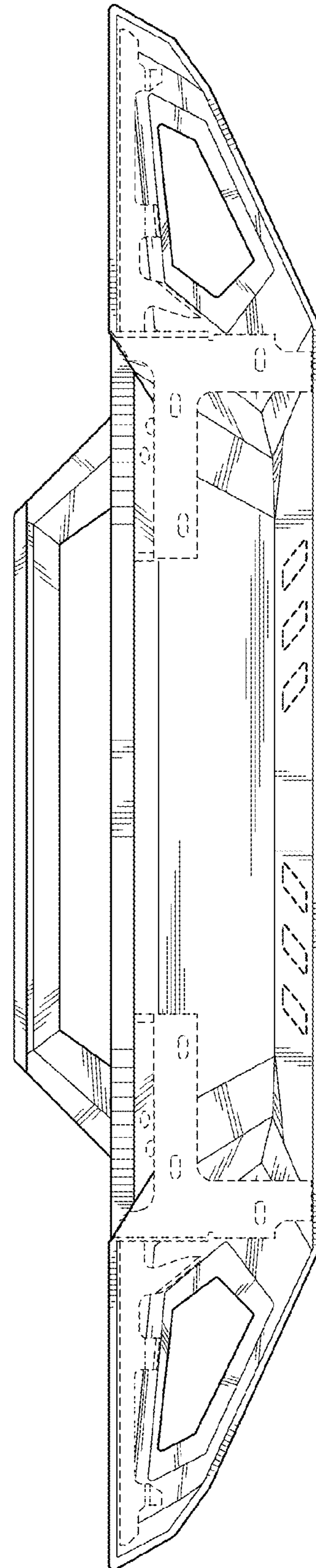


FIG. 7