



US00D878974S

(12) **United States Design Patent**  
**McGaughy**

(10) **Patent No.:** **US D878,974 S**

(45) **Date of Patent:** **\*\* Mar. 24, 2020**

- (54) **LIFT SPINDLE**
- (71) Applicant: **Steve McGaughy**, Fresno, CA (US)
- (72) Inventor: **Steve McGaughy**, Fresno, CA (US)
- (\*\*) Term: **15 Years**
- (21) Appl. No.: **29/664,255**
- (22) Filed: **Sep. 24, 2018**
- (51) **LOC (12) Cl.** ..... **12-16**
- (52) **U.S. Cl.**  
USPC ..... **D12/160**
- (58) **Field of Classification Search**  
USPC ..... D12/159–160  
CPC ..... B60G 2206/50; B60W 10/20; B60W  
2540/18  
See application file for complete search history.

- 8,662,525 B1 \* 3/2014 Dierks ..... B62B 1/00  
280/142
- 9,022,401 B1 \* 5/2015 Rawlinson ..... B60G 3/18  
280/124.125
- D801,874 S \* 11/2017 Warren ..... D12/101
- D838,211 S \* 1/2019 Crabb ..... D12/101
- D845,175 S \* 4/2019 Guenther ..... D12/101
- 2004/0108674 A1 \* 6/2004 McGaughy ..... B60G 7/008  
280/93.512
- 2009/0173033 A1 \* 7/2009 Baxter, Jr. .... A63J 1/00  
52/646
- 2011/0272965 A1 \* 11/2011 Henderson ..... B62D 35/001  
296/180.4
- 2013/0119628 A1 \* 5/2013 Deierling ..... B62D 7/18  
280/93.512
- 2014/0265202 A1 \* 9/2014 Bunker ..... B62D 7/18  
280/93.512
- 2016/0068126 A1 \* 3/2016 Kibler ..... B60R 19/56  
293/118
- 2019/0367089 A1 \* 12/2019 Terada ..... B62D 7/18

\* cited by examiner

*Primary Examiner* — Michael A. Pratt

(74) *Attorney, Agent, or Firm* — Acuity IP, LLC; Nathan S. Cassell

(56) **References Cited**

U.S. PATENT DOCUMENTS

- 2,722,433 A \* 11/1955 Shinn ..... B62D 53/061  
280/417.1
- 4,806,065 A \* 2/1989 Holt ..... B62D 53/065  
280/425.2
- 4,836,735 A \* 6/1989 Dennehy, Jr. .... B60P 1/6427  
280/149.2
- 5,476,110 A \* 12/1995 Baig ..... A24F 1/30  
131/173
- 6,398,240 B1 \* 6/2002 Taylor ..... B60G 3/18  
280/93.511
- 6,478,324 B1 \* 11/2002 Yurgevich ..... B62D 21/09  
280/425.2
- D504,363 S \* 4/2005 McGaughy ..... D12/160
- 7,478,865 B2 \* 1/2009 Klein ..... B62D 33/04  
296/182.1
- D694,670 S \* 12/2013 Oren ..... D12/101
- D695,152 S \* 12/2013 Duggleby ..... D12/101

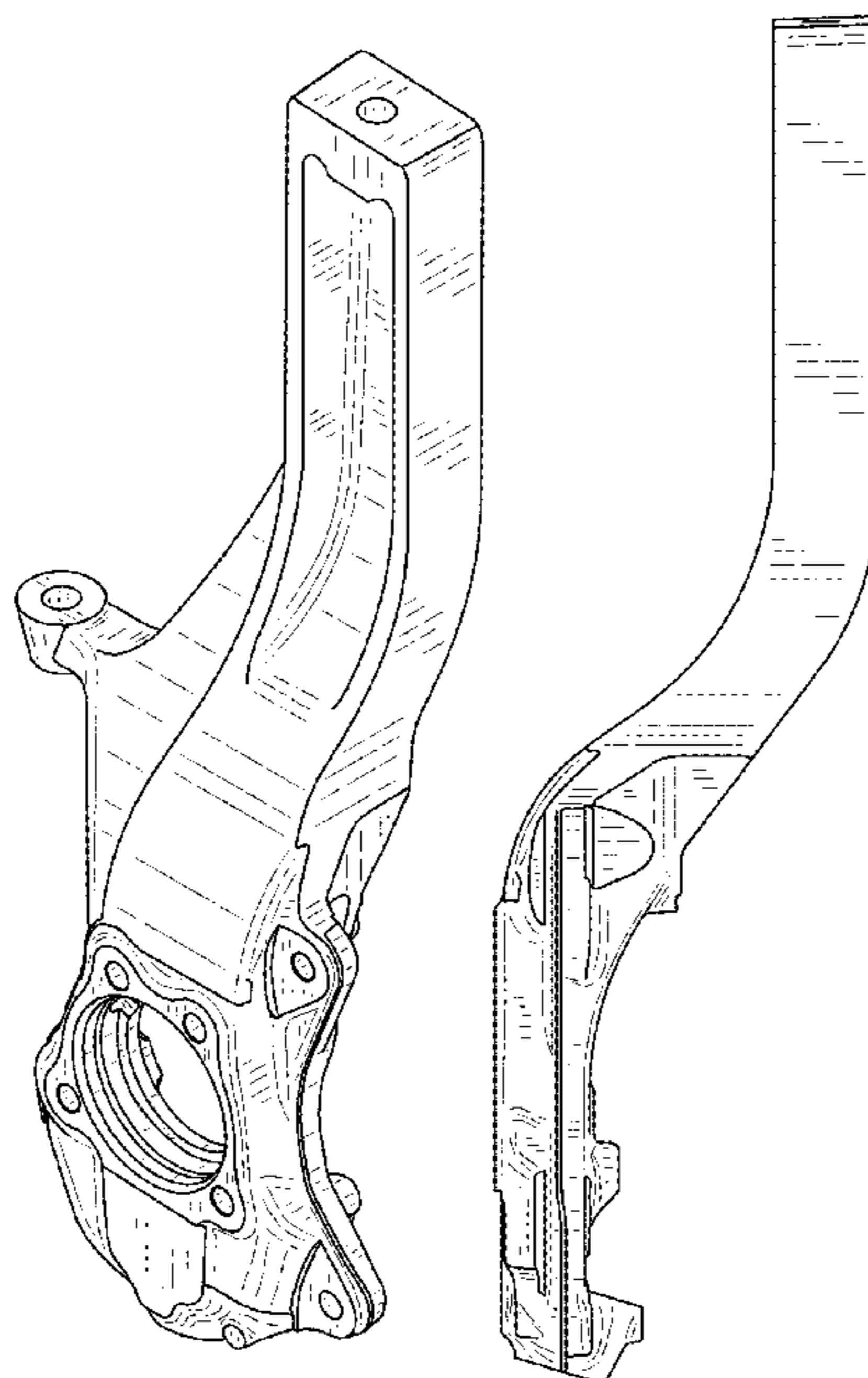
(57) **CLAIM**

The ornamental design for a lift spindle, as shown.

**DESCRIPTION**

FIG. 1 is a perspective view of a lift spindle showing my new design;  
 FIG. 2 is a front elevational view thereof;  
 FIG. 3 is a rear elevational view thereof;  
 FIG. 4 is a right side elevational view thereof;  
 FIG. 5 is a left side elevational view thereof;  
 FIG. 6 is a top plan view thereof; and,  
 FIG. 7 is a bottom plan view thereof.

**1 Claim, 7 Drawing Sheets**



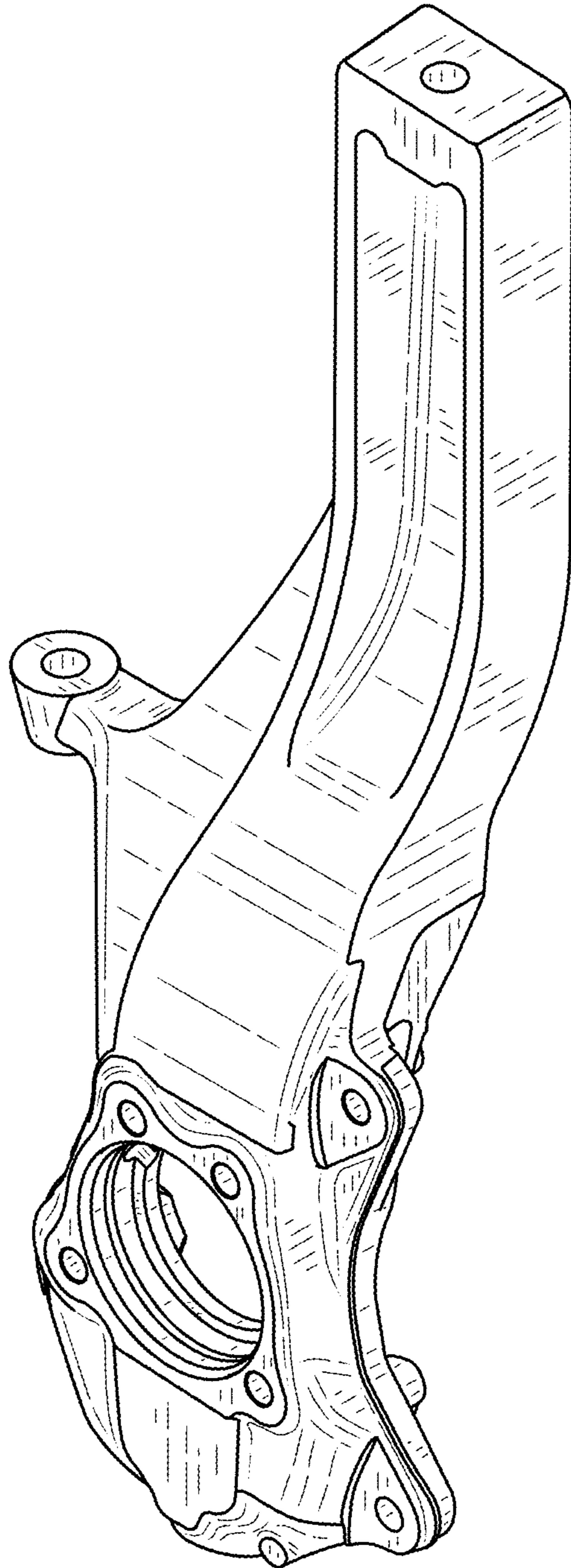


FIG.1

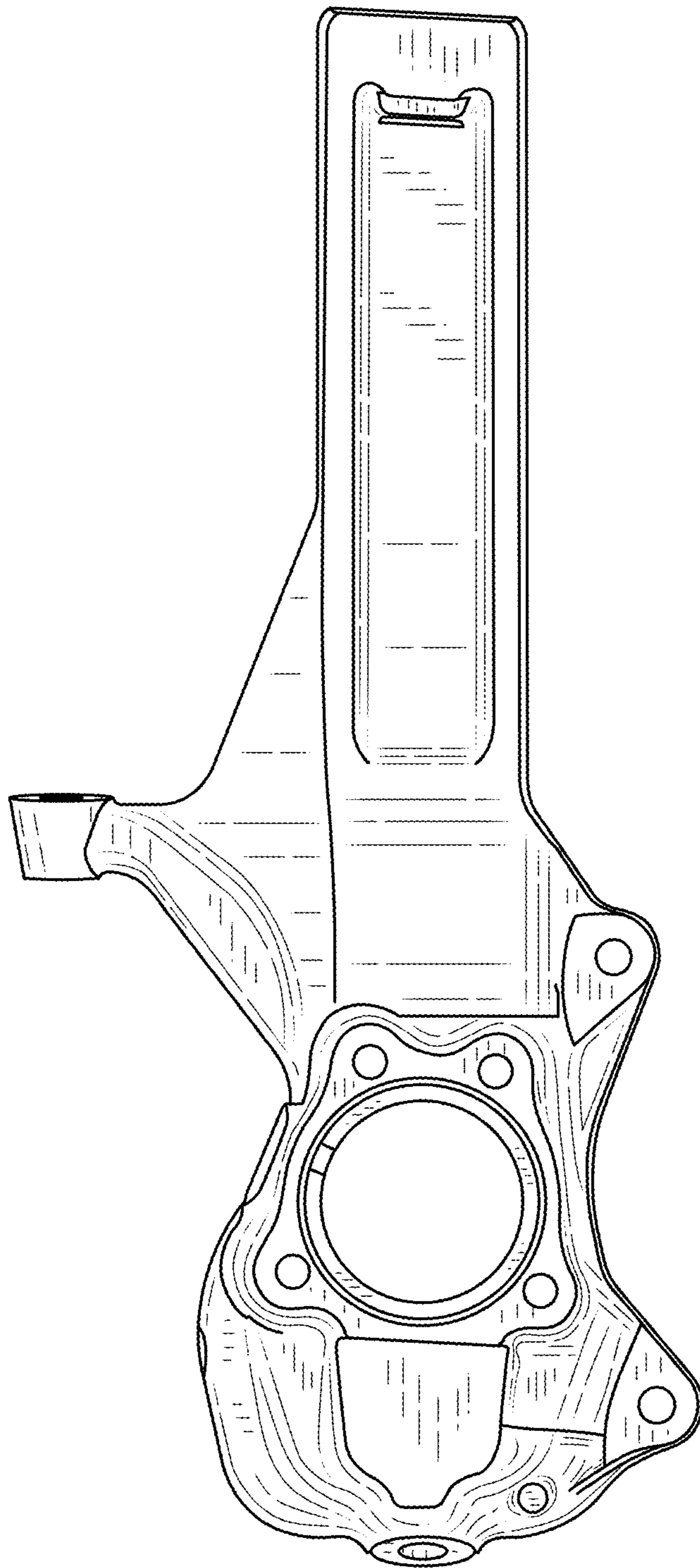


FIG.2

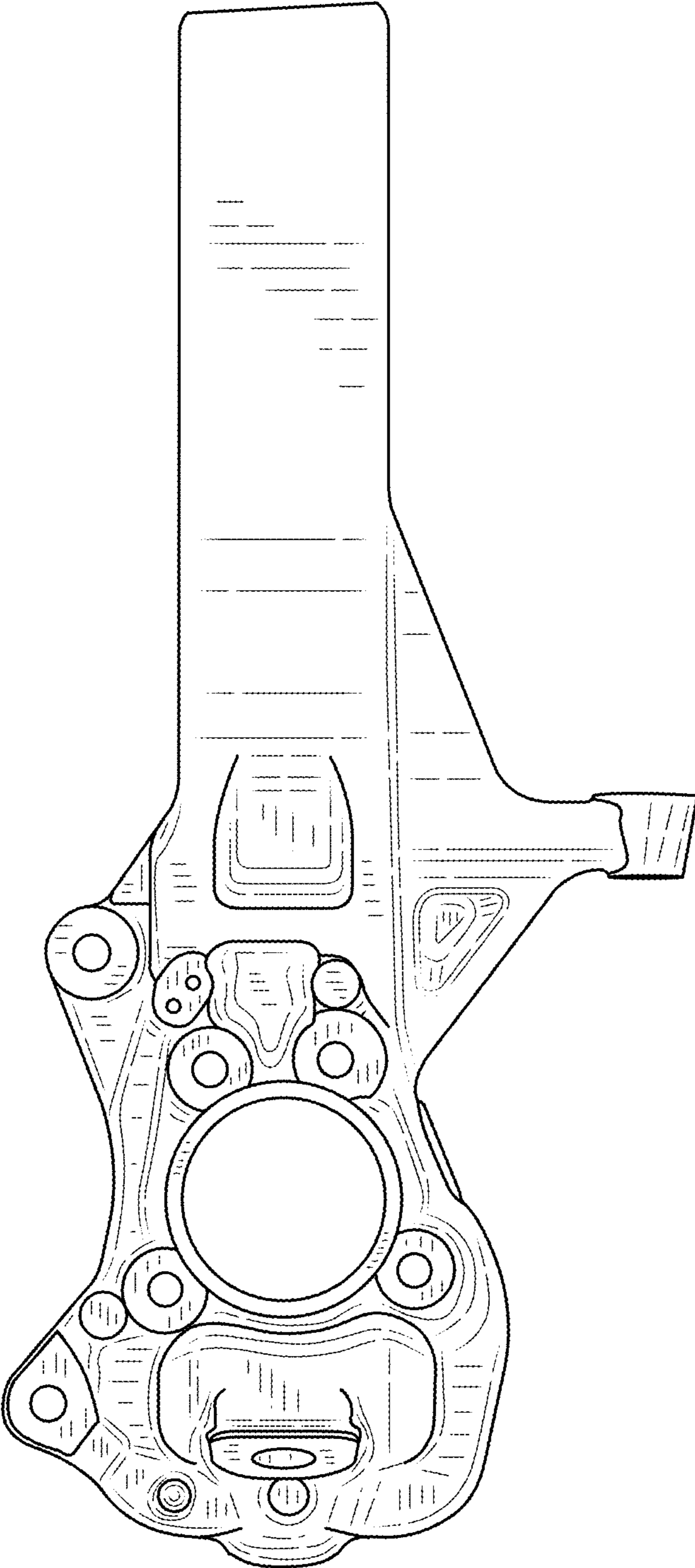


FIG.3

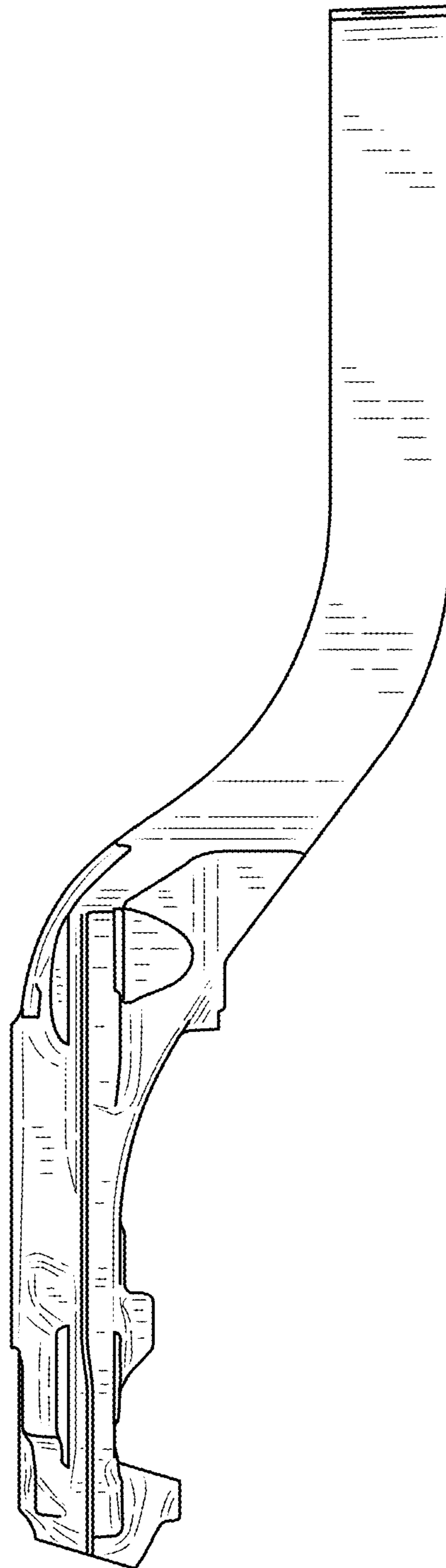


FIG.4

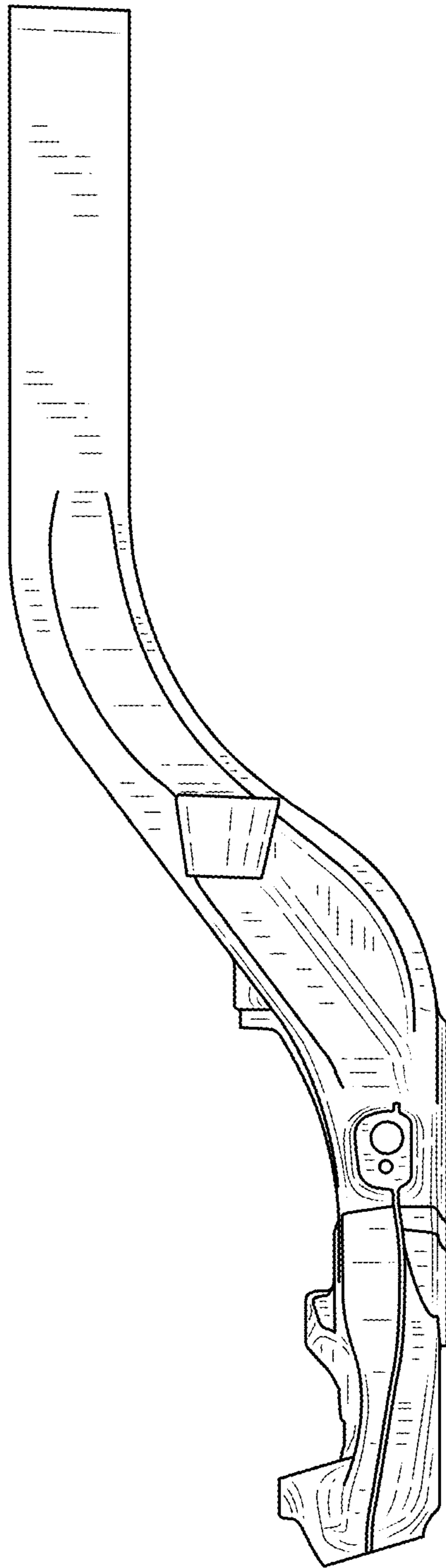


FIG.5

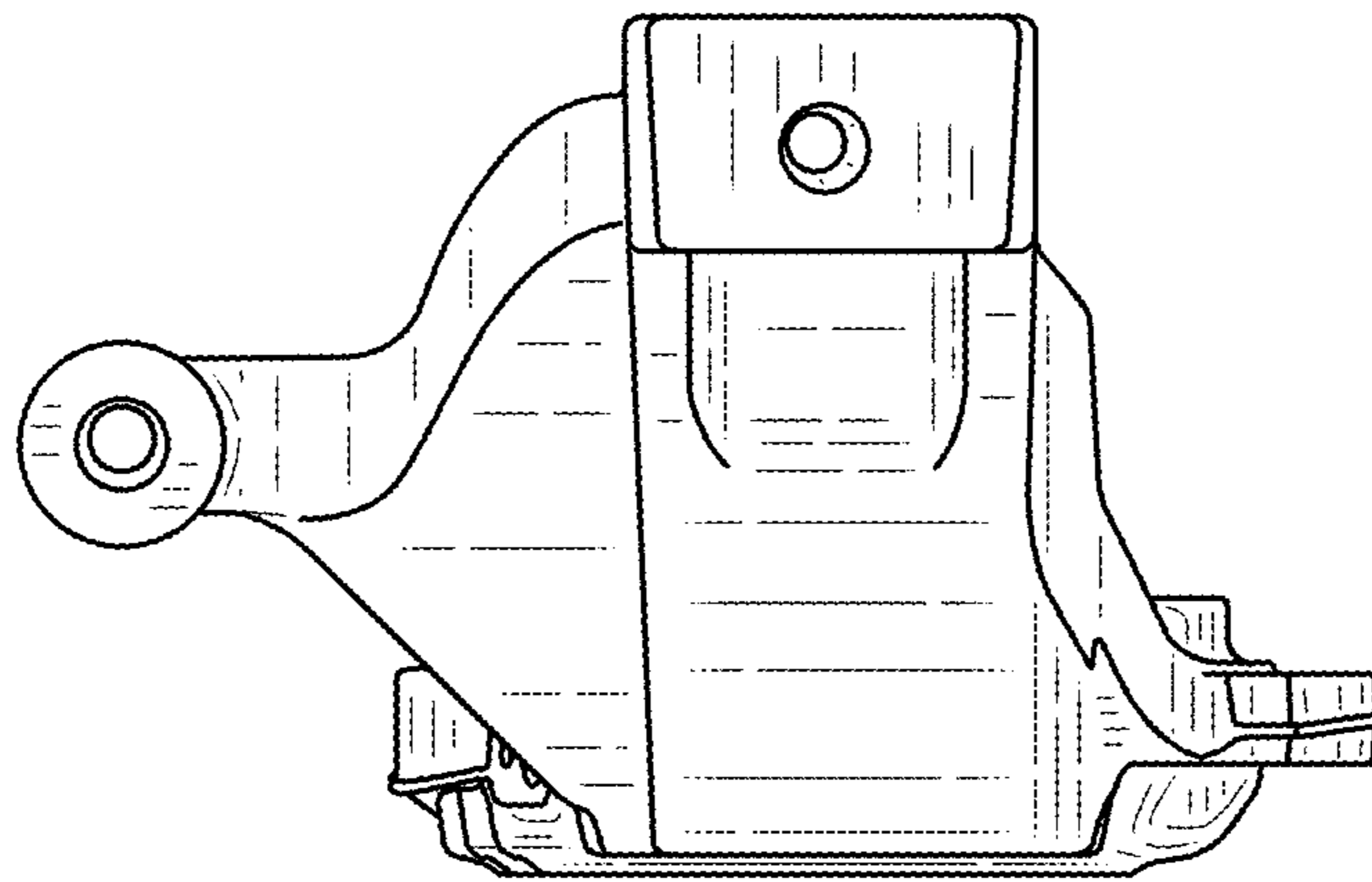


FIG.6

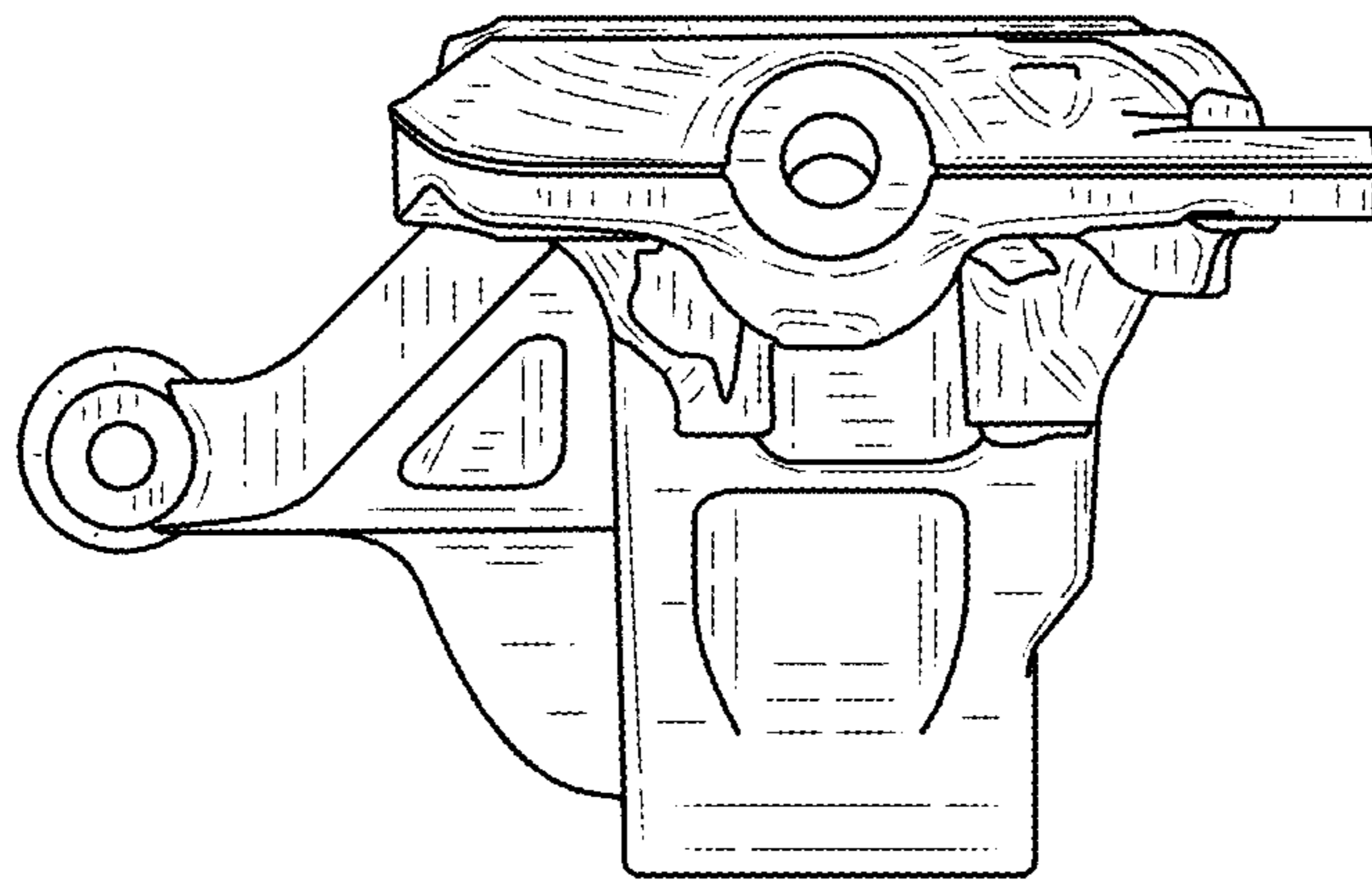


FIG.7