



US00D878972S

(12) **United States Design Patent**
Sumansky

(10) **Patent No.:** **US D878,972 S**

(45) **Date of Patent:** **** Mar. 24, 2020**

(54) **BICYCLE RACK**

(71) Applicant: **Bill Sumansky**, Palm Harbor, FL (US)

(72) Inventor: **Bill Sumansky**, Palm Harbor, FL (US)

(**) Term: **15 Years**

(21) Appl. No.: **29/676,835**

(22) Filed: **Jan. 15, 2019**

(51) **LOC (12) Cl.** **08-10**

(52) **U.S. Cl.**
USPC **D12/115**

(58) **Field of Classification Search**
USPC D12/115, 120, 402, 406, 407; D6/692.6,
D6/680.2

CPC ... B62H 3/00; B62H 3/04; B62H 3/08; B62H
3/10; B60R 9/06; B60R 9/10

See application file for complete search history.

(56) **References Cited**

U.S. PATENT DOCUMENTS

3,907,114	A *	9/1975	Ewers	B62H 3/04
					211/20
4,047,614	A *	9/1977	Radek	B62H 3/04
					211/20
D302,805	S *	8/1989	Hoyt	D12/115
D337,083	S *	7/1993	Rankin	D12/115
D361,539	S *	8/1995	Matlaga	D12/115
D367,022	S *	2/1996	Graber	D12/115
D372,889	S *	8/1996	Fox	D12/115
D447,723	S *	9/2001	Spangler	D12/115
D566,628	S *	4/2008	Steward	D12/115
D588,050	S *	3/2009	Levine	D12/115
D595,189	S *	6/2009	Palmer	D12/115

D602,403	S *	10/2009	Shaha	D12/115
D604,206	S *	11/2009	Selzer	D12/115
D612,301	S *	3/2010	Porter	D12/115
D613,646	S *	4/2010	Schwartz	D12/115
D617,238	S *	6/2010	Ohlman	D12/115
D665,709	S *	8/2012	Longfellow	D12/115
D691,522	S *	10/2013	Koepke	D12/115
D697,837	S *	1/2014	Kim	D12/115
D719,491	S *	12/2014	Rayl	D12/115
D719,492	S *	12/2014	Rayl	D12/115
D754,032	S *	4/2016	Meredith	D12/115
D761,701	S *	7/2016	Jobe	D12/115
D778,788	S *	2/2017	Tsai	D12/115
D780,641	S *	3/2017	Sagen	D12/115

* cited by examiner

Primary Examiner — Michelle E. Wilson

Assistant Examiner — Clese Moore, Jr.

(74) *Attorney, Agent, or Firm* — Shumaker, Loop &
Kendrick, LLP; Jeffrey B. Fabian

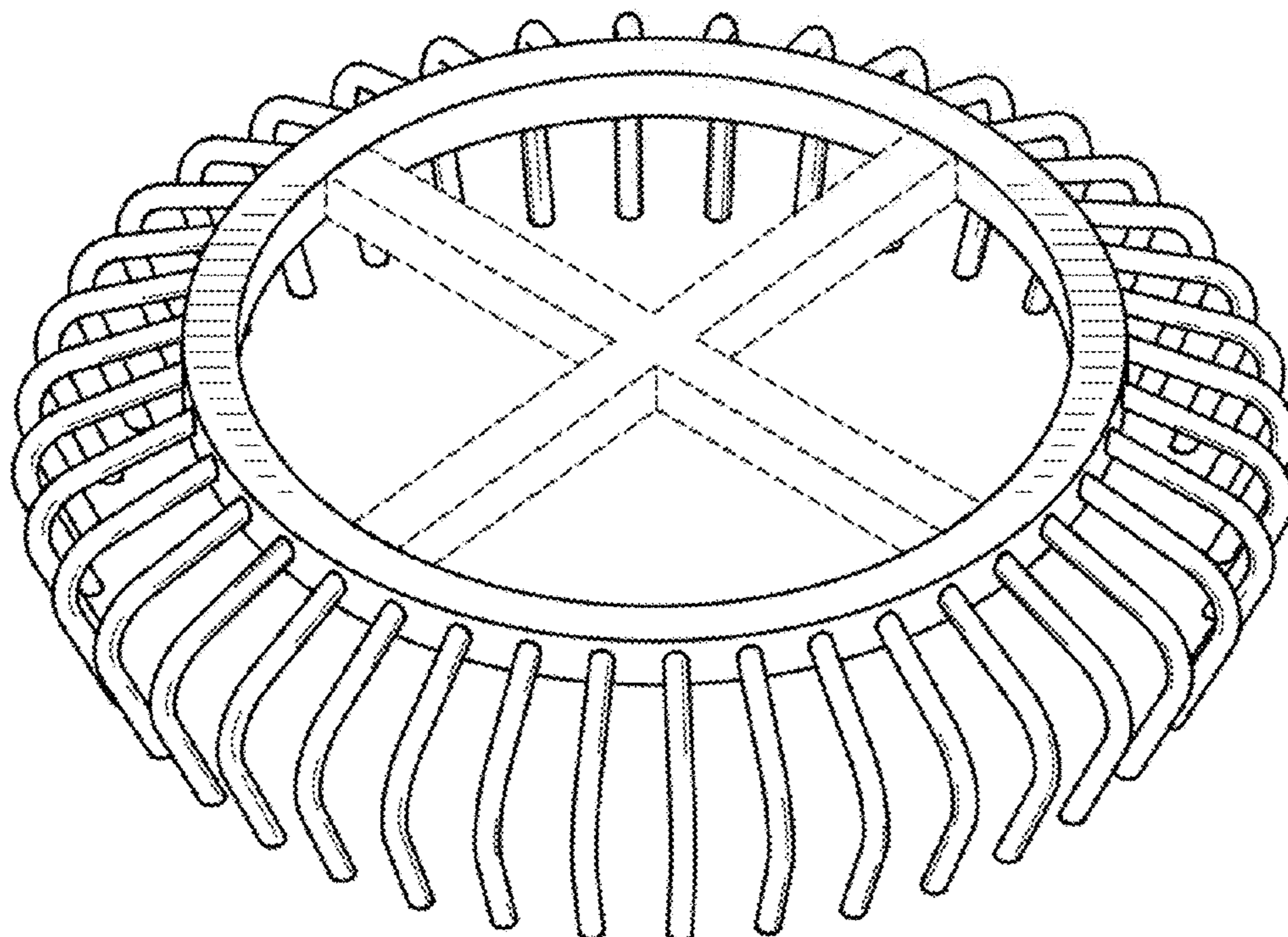
(57) **CLAIM**

The ornamental design for a bicycle rack, as shown and described.

DESCRIPTION

FIG. 1 is an elevated isometric view of the bicycle rack, showing my new design;
FIG. 2 is a descended isometric view thereof;
FIG. 3 is a top view thereof;
FIG. 4 is a bottom view thereof; and,
FIG. 5 is a side view thereof.
The broken lines shown illustrate portions of the bicycle rack that form no part of the claimed design.

1 Claim, 4 Drawing Sheets



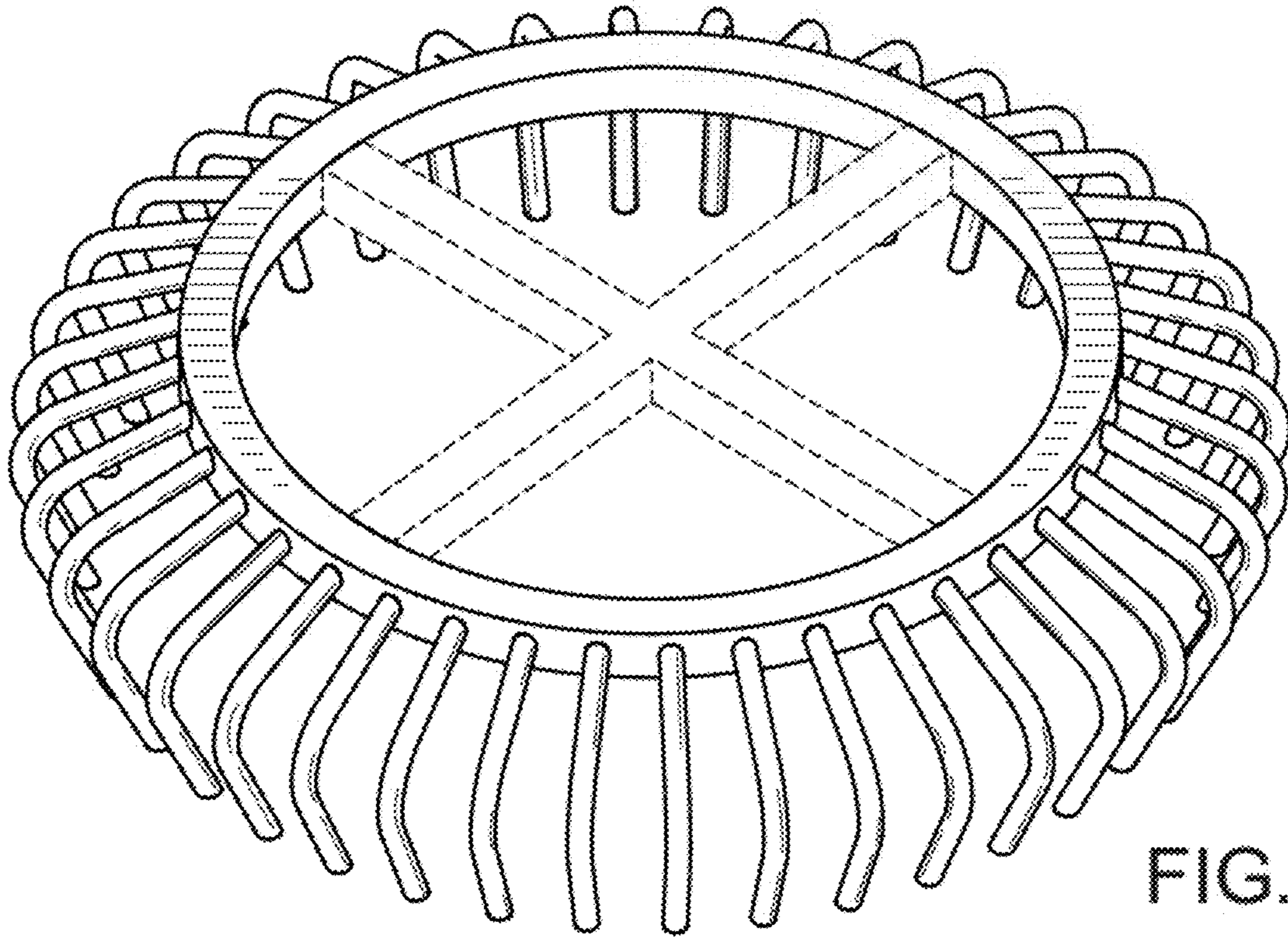


FIG. 1

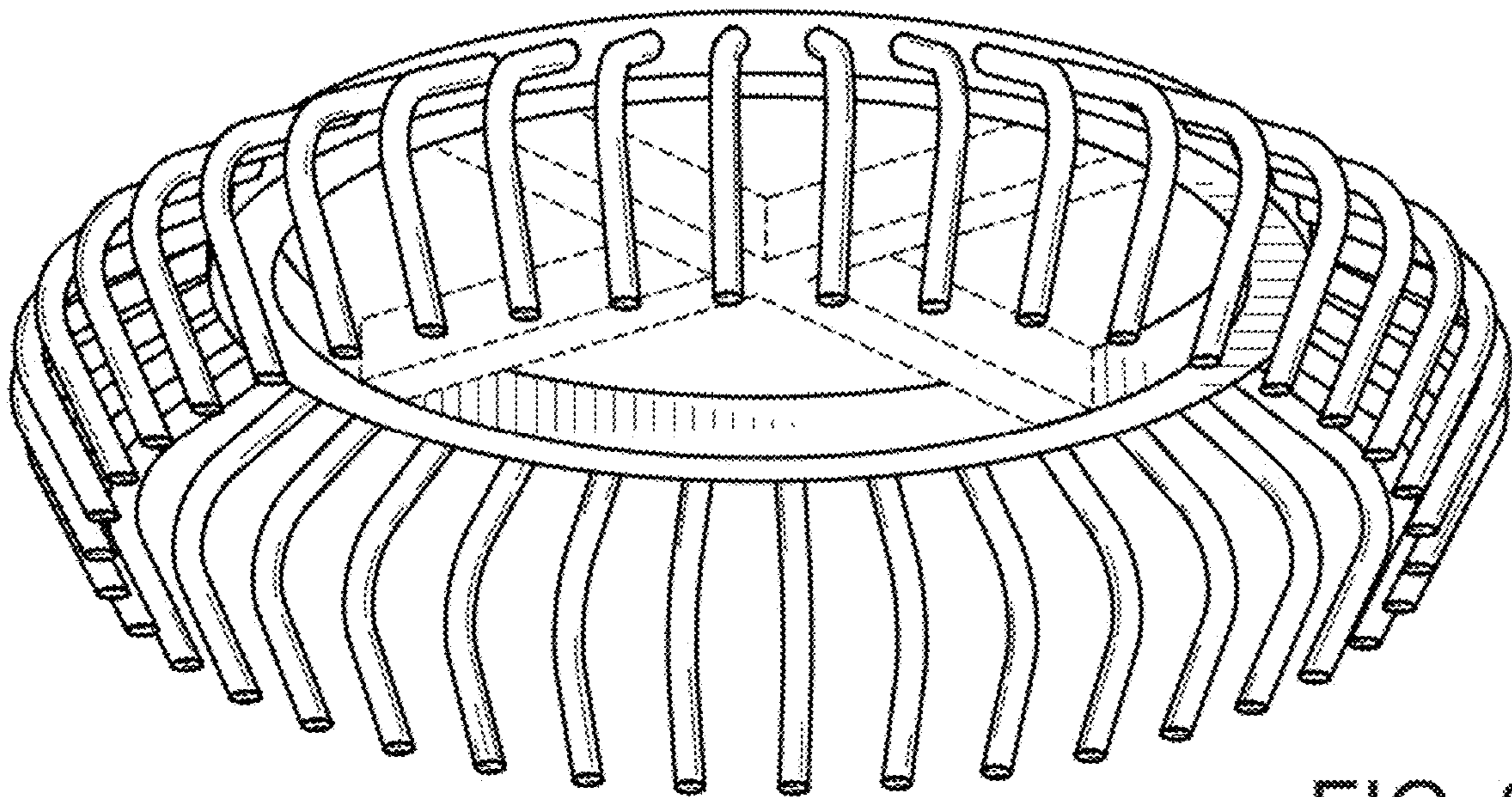


FIG. 2

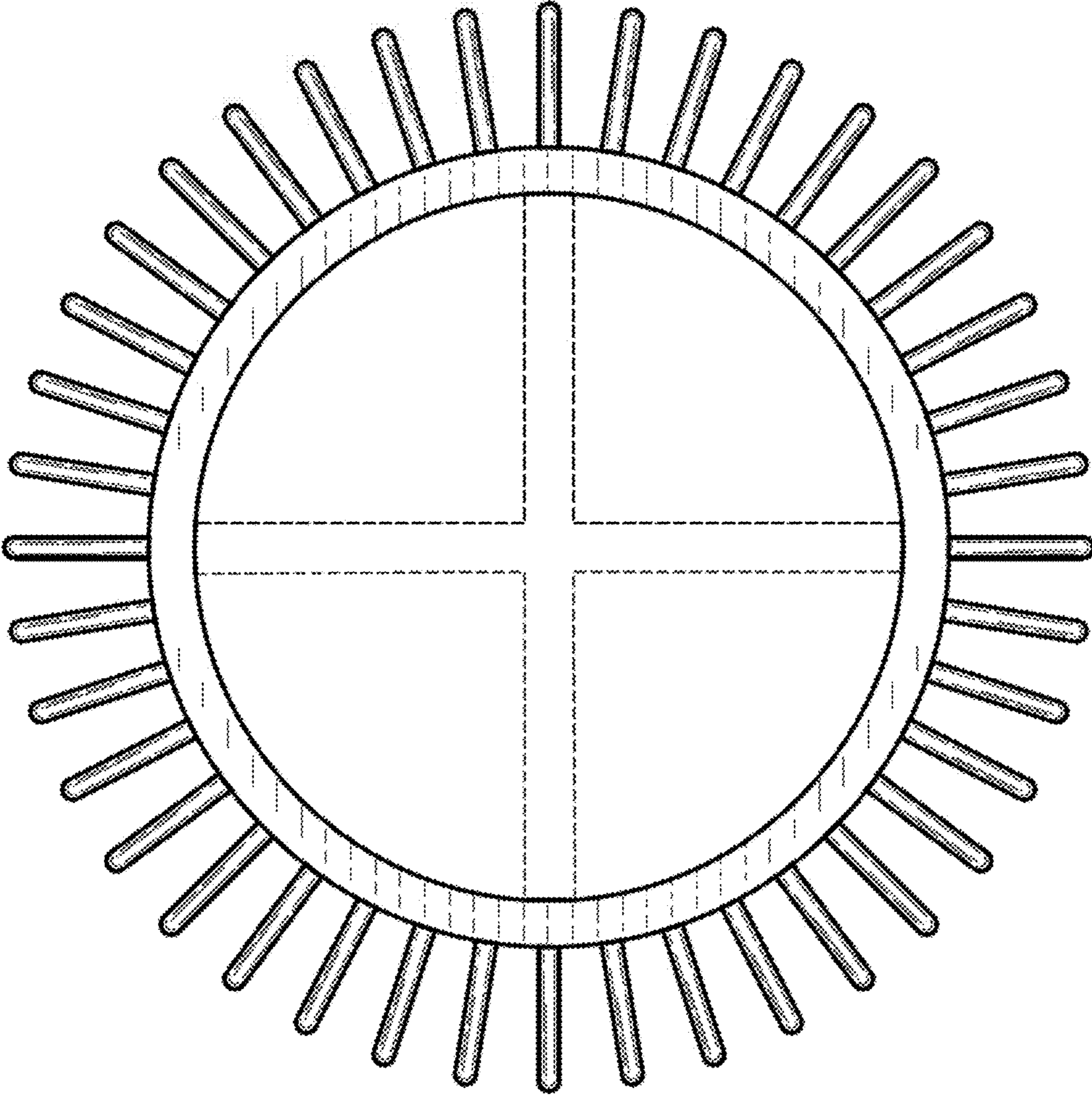


FIG. 3

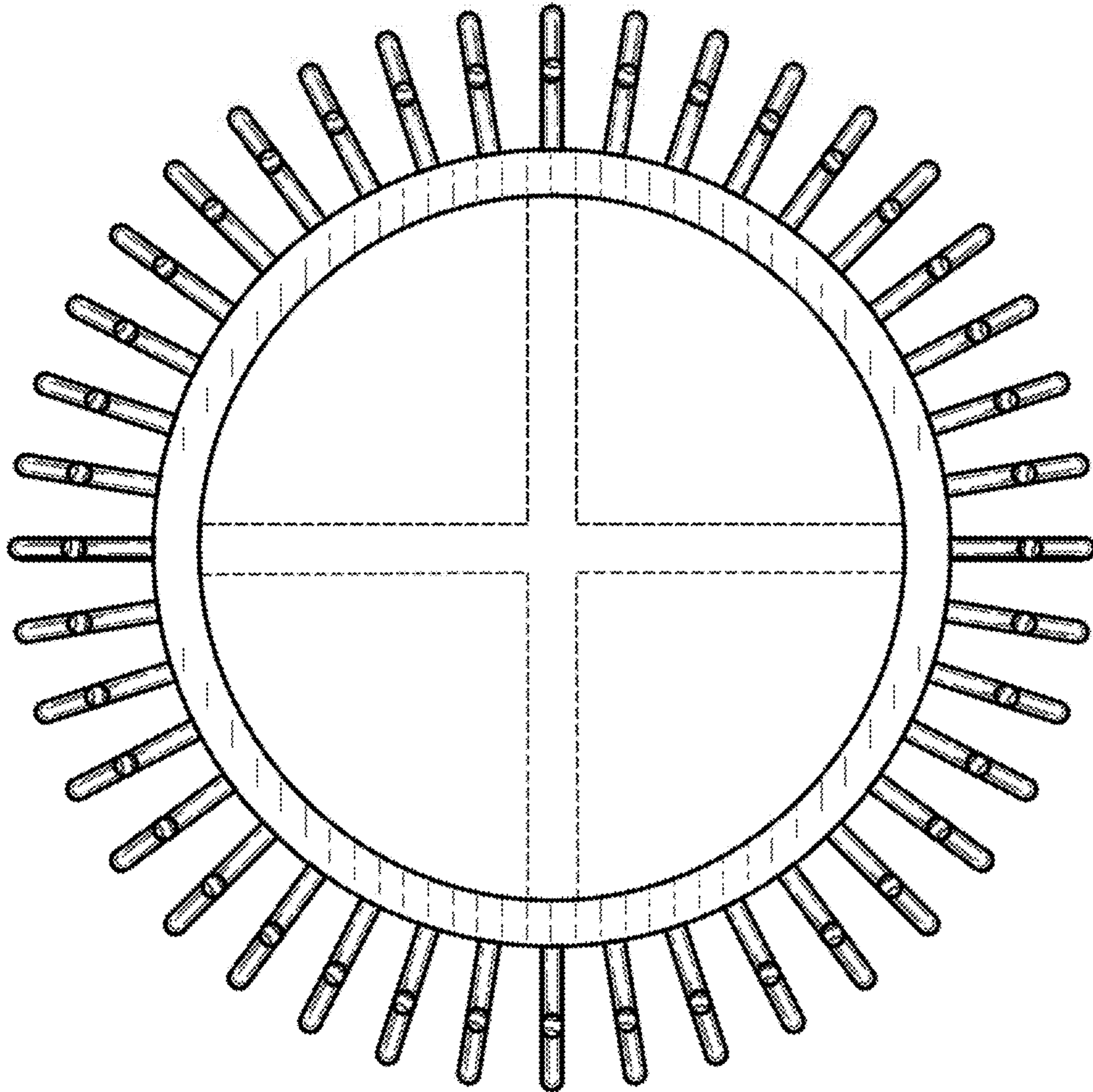


FIG. 4

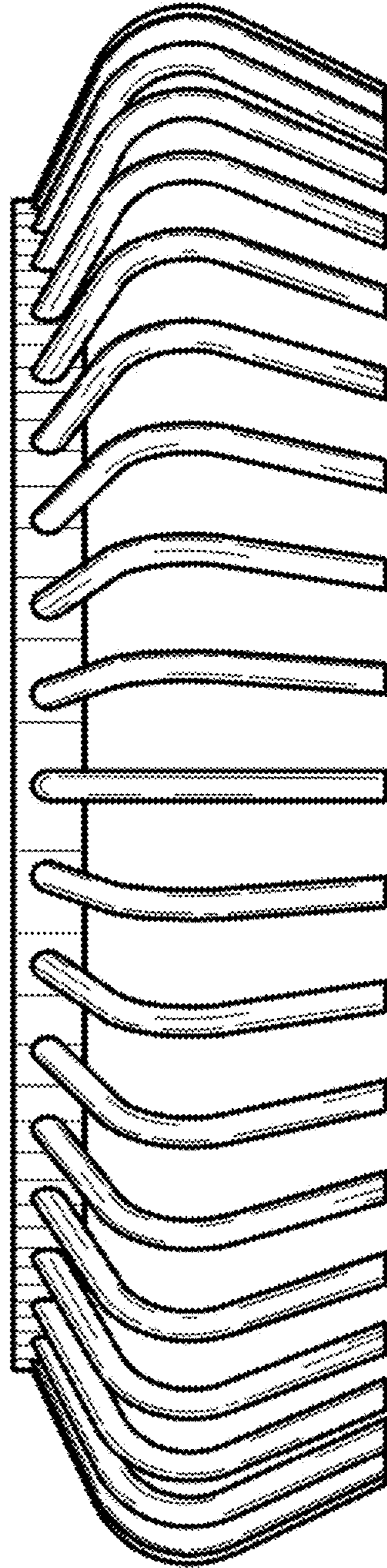


FIG. 5