



US00D878970S

(12) **United States Design Patent**  
**Kawagishi**

(10) **Patent No.:** **US D878,970 S**  
(45) **Date of Patent:** **\*\* Mar. 24, 2020**

- (54) **ALL TERRAIN VEHICLE**
- (71) Applicant: **SUZUKI MOTOR CORPORATION**,  
Hamamatsu-Shi, Shizuoka-Ken (JP)
- (72) Inventor: **Masayuki Kawagishi**, Hamamatsu (JP)
- (73) Assignee: **SUZUKI MOTOR CORPORATION**,  
Hamamatsu-Shi, Shizuoka-Ken (JP)
- (\*\*) Term: **15 Years**
- (21) Appl. No.: **29/661,761**
- (22) Filed: **Aug. 30, 2018**

D539,705 S *	4/2007	Ichikawa	.....	D12/107
D542,186 S *	5/2007	Lai	.....	D12/107
D542,188 S *	5/2007	Miwa	.....	D12/107
D584,661 S *	1/2009	Tanaka	.....	D12/107
D585,792 S *	2/2009	Chao	.....	D12/107
D595,188 S *	6/2009	Tandrup	.....	D12/107
D606,905 S *	12/2009	Yao	.....	D12/107
D620,399 S *	7/2010	Wu	.....	D12/107
D628,520 S *	12/2010	Lin	.....	D12/107
D643,781 S *	8/2011	Nagao	.....	D12/107
D657,721 S *	4/2012	Miyanishi	.....	D12/107
D680,469 S *	4/2013	Li	.....	D12/107
D691,519 S *	10/2013	Fisher	.....	D12/107
D694,671 S *	12/2013	Lai	.....	D12/107
D761,698 S *	7/2016	Umemoto	.....	D12/107
D774,957 S *	12/2016	Umemoto	.....	D12/107

\* cited by examiner

(30) **Foreign Application Priority Data**

Mar. 5, 2018 (JP) ..... 2018-004493

- (51) **LOC (12) Cl.** ..... **12-11**
- (52) **U.S. Cl.**  
USPC ..... **D12/107**
- (58) **Field of Classification Search**  
USPC ..... D12/87, 86, 107, 110, 1, 3, 4, 14  
CPC ..... B60G 2300/07; B60G 2300/12; B62D  
21/183; B62K 5/01; B62K 5/003  
See application file for complete search history.

(56) **References Cited**

**U.S. PATENT DOCUMENTS**

D436,559 S *	1/2001	Fujieda	.....	D12/107
D496,308 S *	9/2004	Wu	.....	D12/107
D513,718 S *	1/2006	Itaya	.....	D12/107
D516,467 S *	3/2006	Wu	.....	D12/107
D520,912 S *	5/2006	Knight	.....	D12/107
D522,924 S *	6/2006	Yokoyama	.....	D12/107
D523,782 S *	6/2006	Lin	.....	D12/107
D529,414 S *	10/2006	Wu	.....	D12/107
D532,339 S *	11/2006	Hishiki	.....	D12/107

*Primary Examiner* — Michelle E. Wilson

*Assistant Examiner* — Clese Moore, Jr.

(74) *Attorney, Agent, or Firm* — Lando & Anastasi, LLP

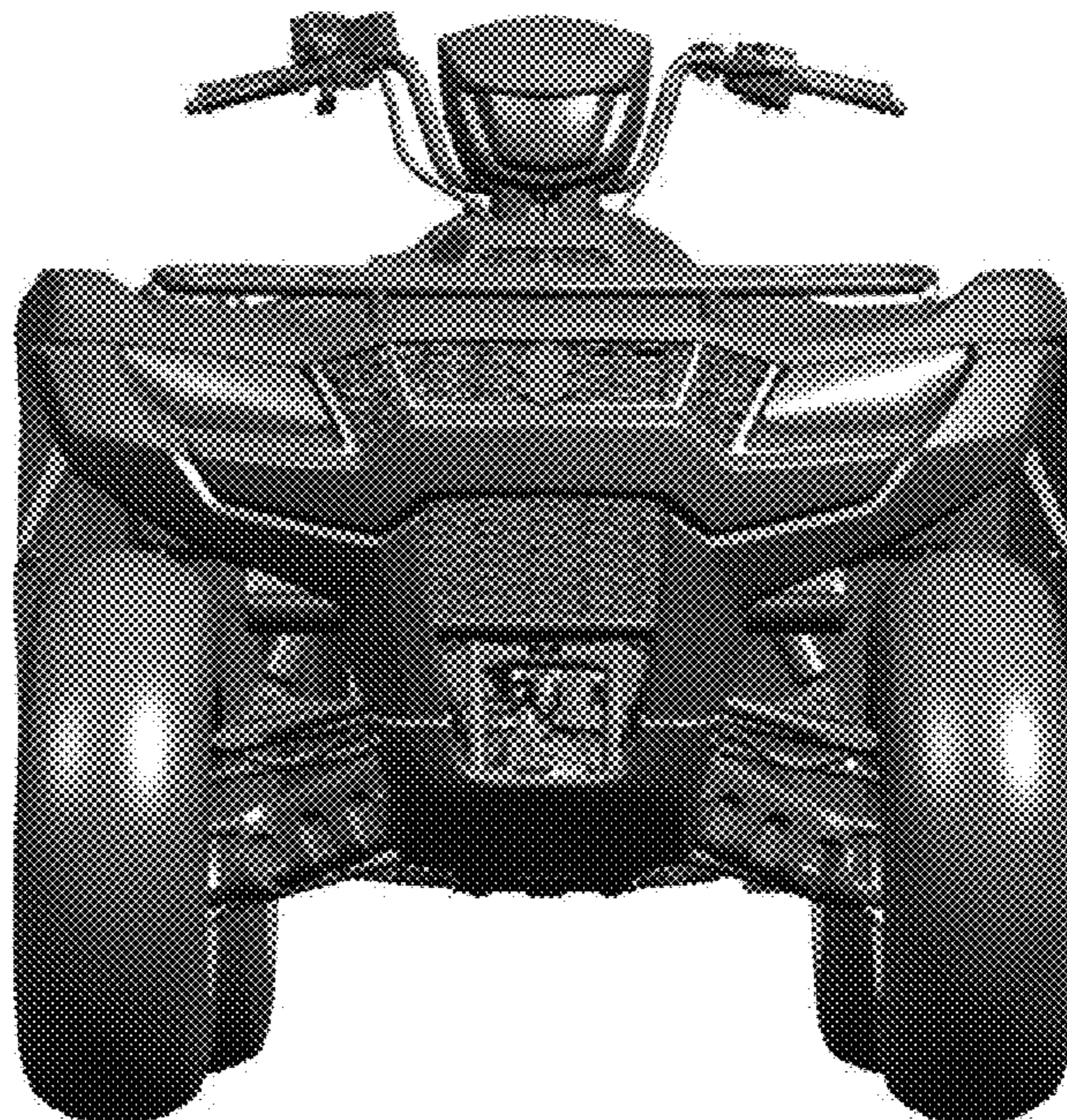
(57) **CLAIM**

The ornamental design for an all terrain vehicle, as shown and described.

**DESCRIPTION**

FIG. 1 is a front perspective view of an all terrain vehicle in accordance with the present disclosure;  
 FIG. 2 is a rear perspective view thereof;  
 FIG. 3 is a top perspective view thereof;  
 FIG. 4 is a bottom perspective view thereof;  
 FIG. 5 is a right side perspective view thereof;  
 FIG. 6 is a left side perspective view thereof;  
 FIG. 7 is a front and right side perspective view thereof; and,  
 FIG. 8 is a rear and left side perspective view thereof.  
 In the drawings, the light and shade shown on the surfaces represents the contours of the three-dimensional surfaces.

**1 Claim, 8 Drawing Sheets**



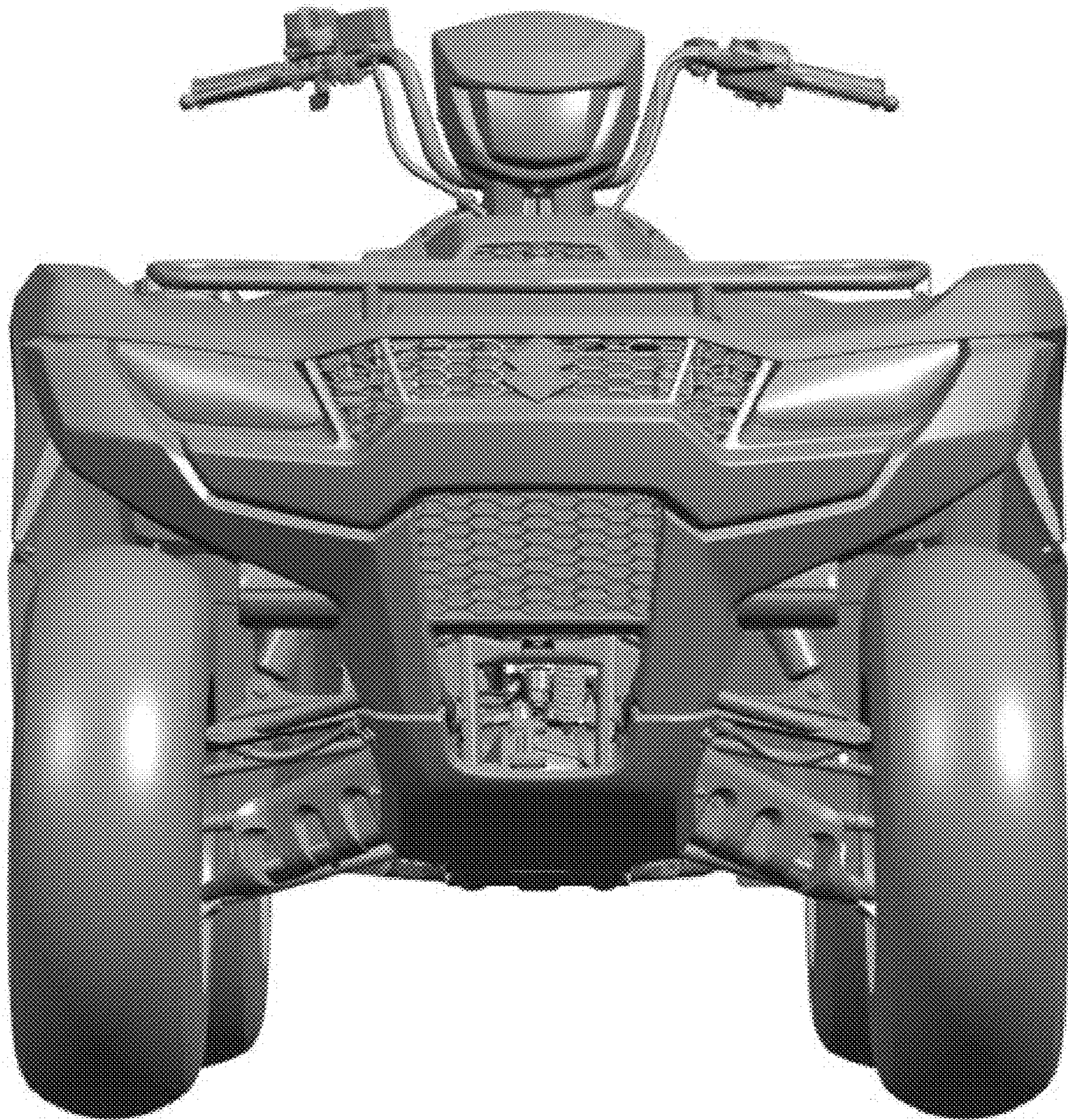


FIG. 1

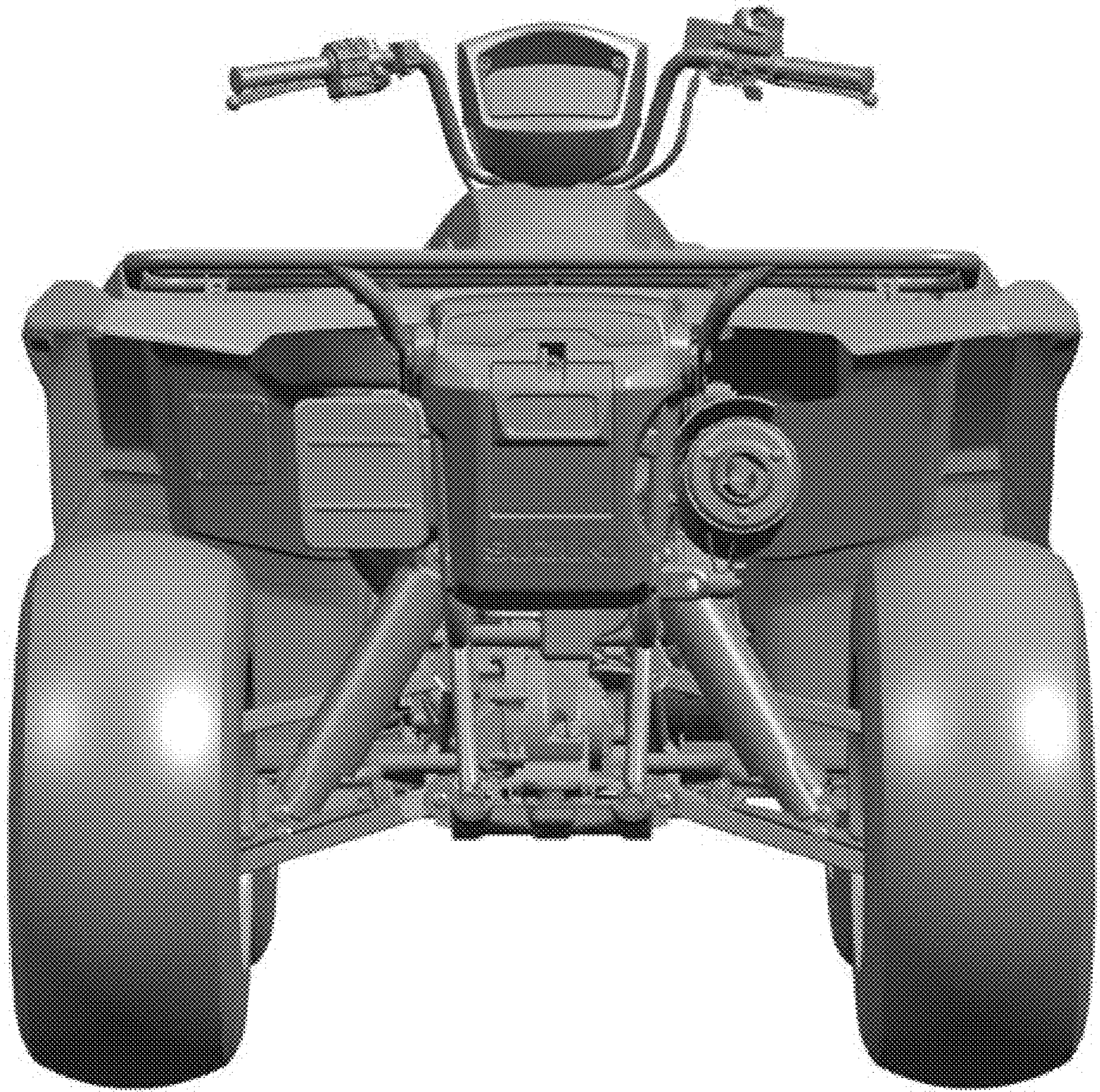


FIG. 2

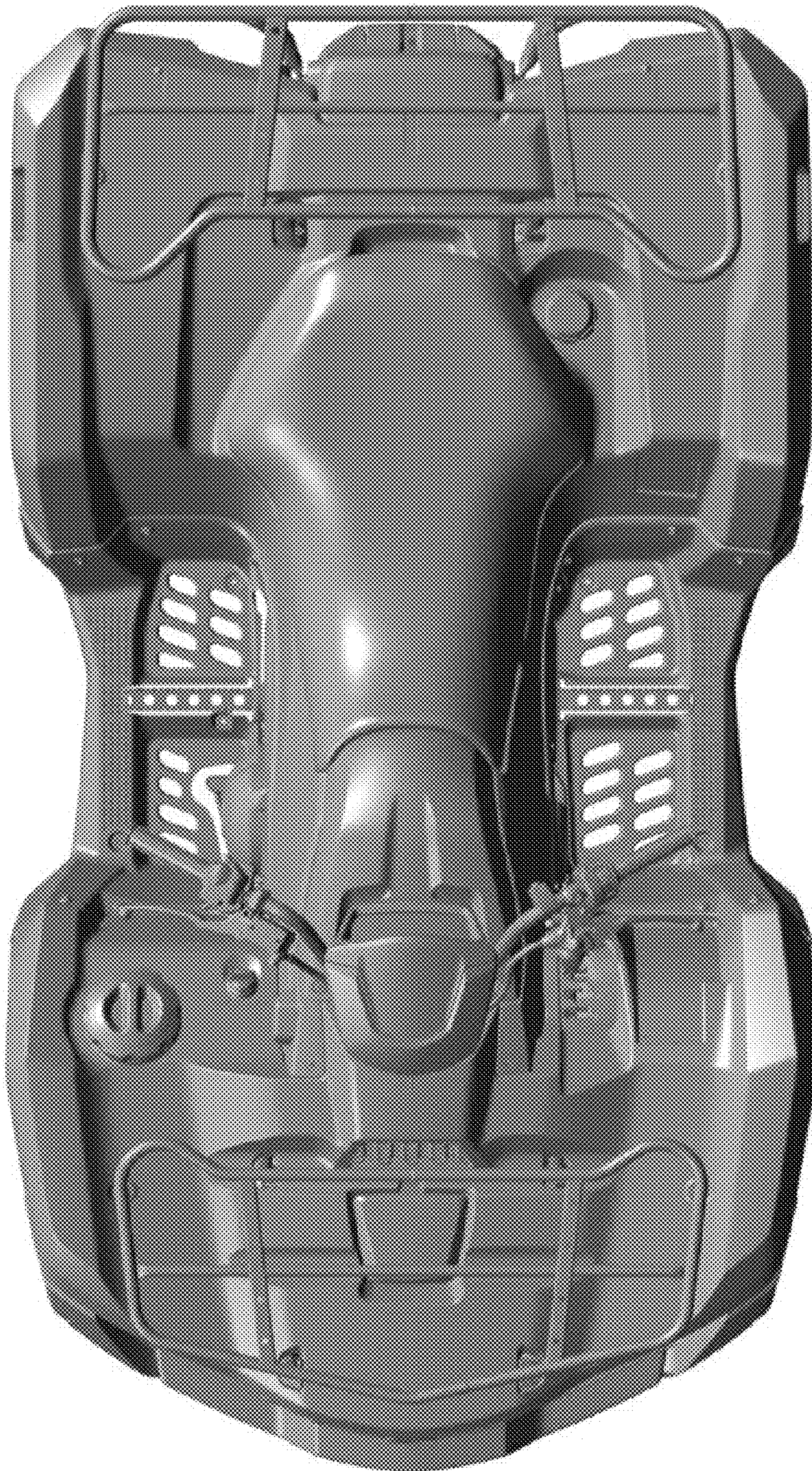


FIG. 3

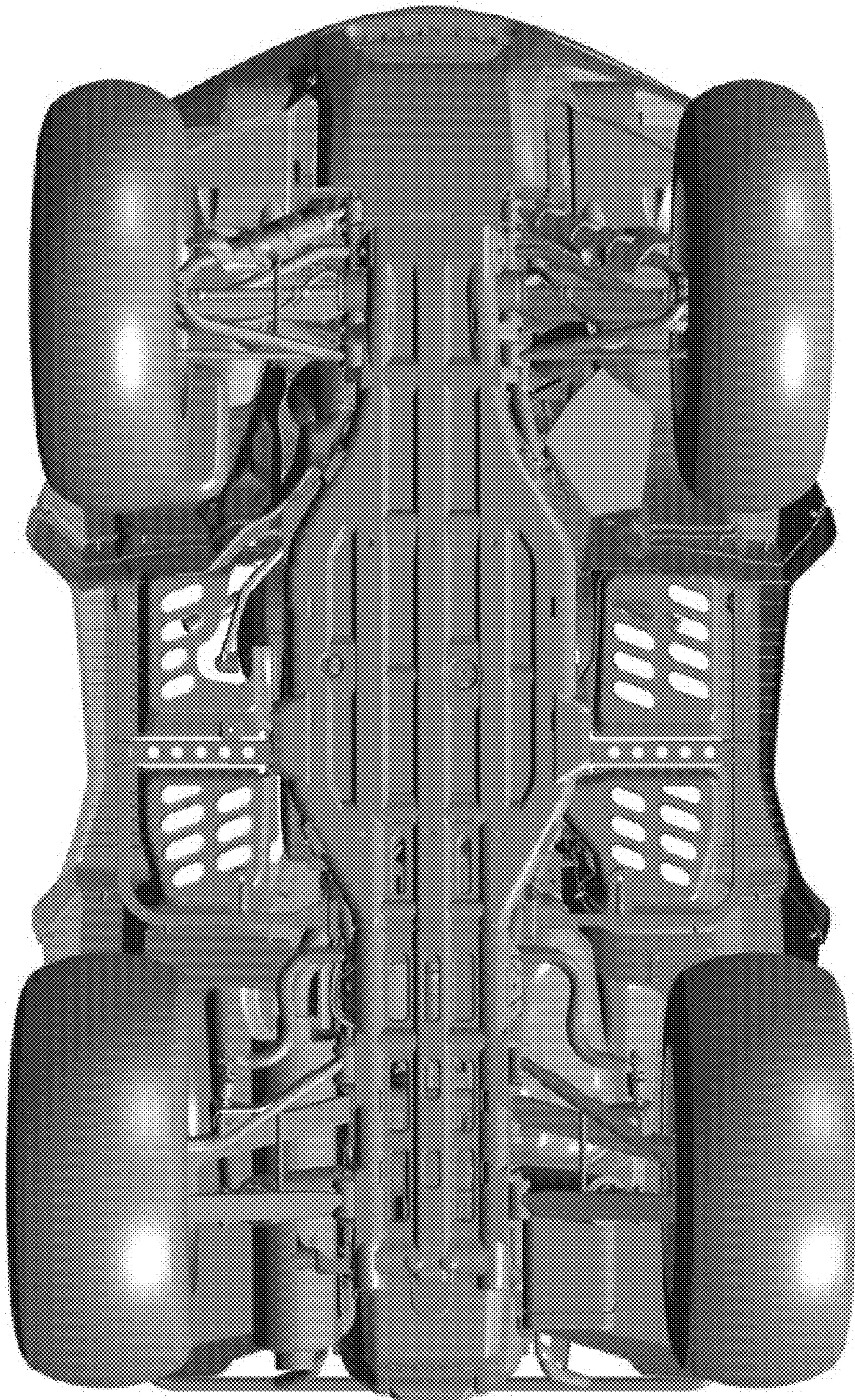


FIG. 4

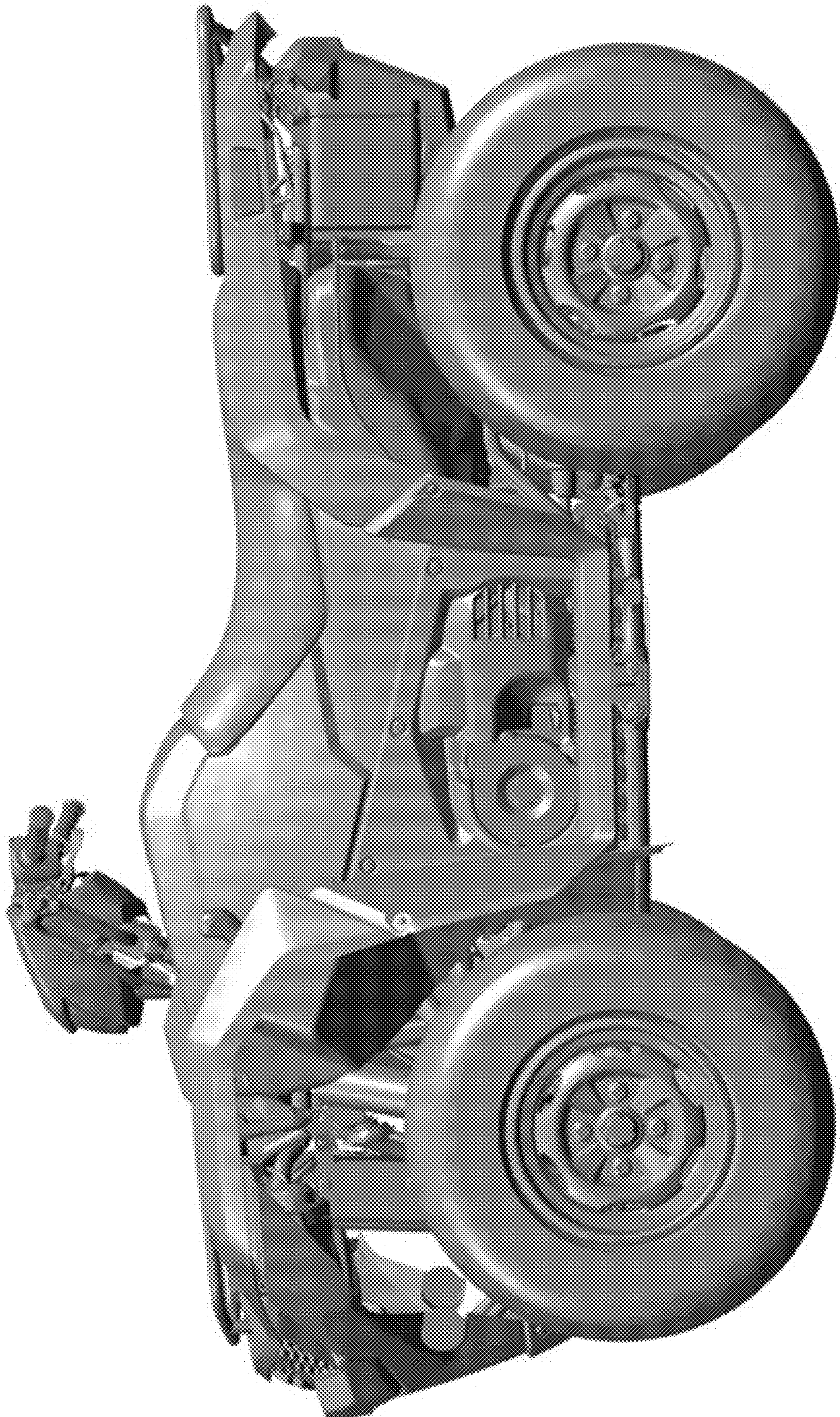


FIG. 5

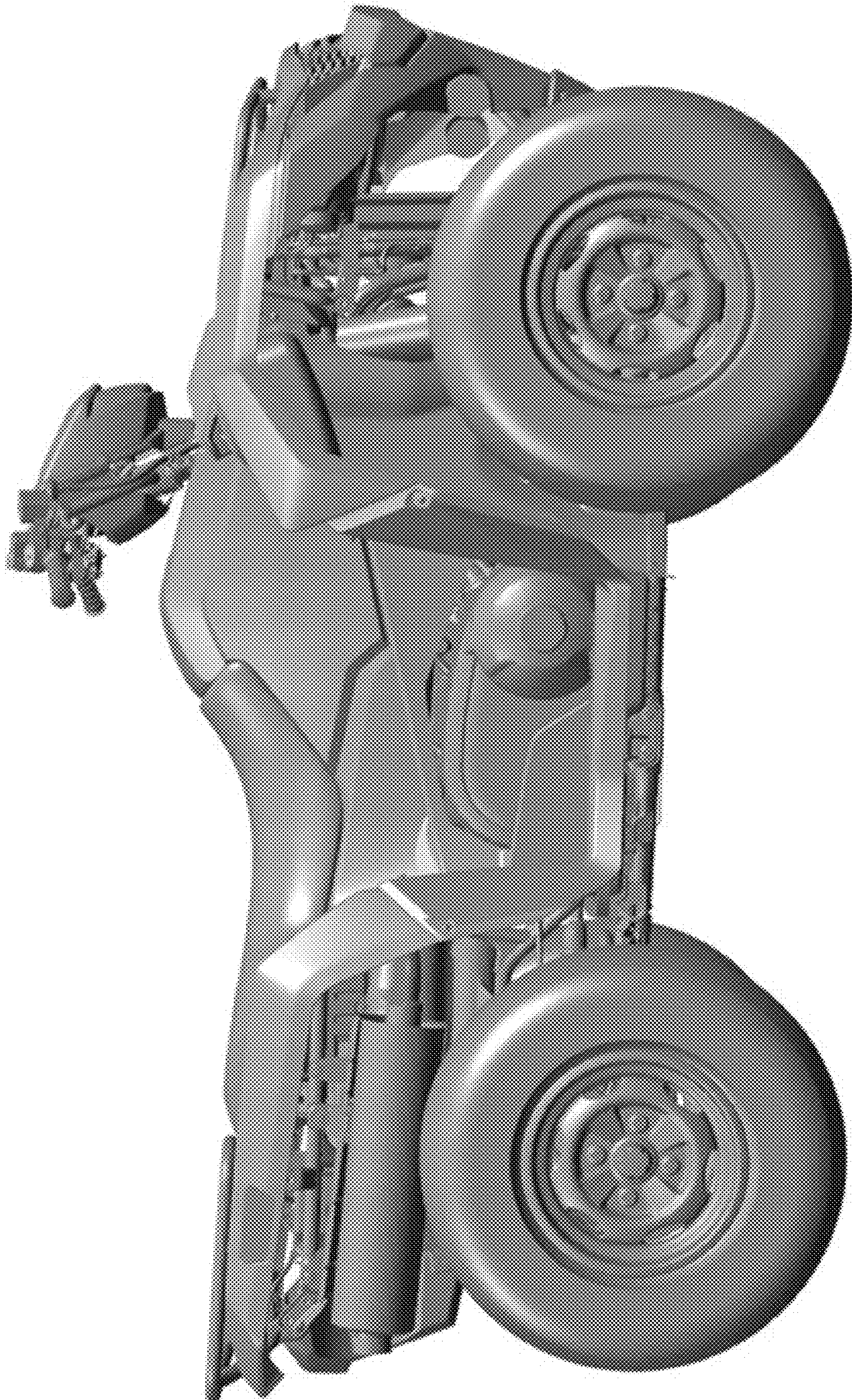


FIG. 6

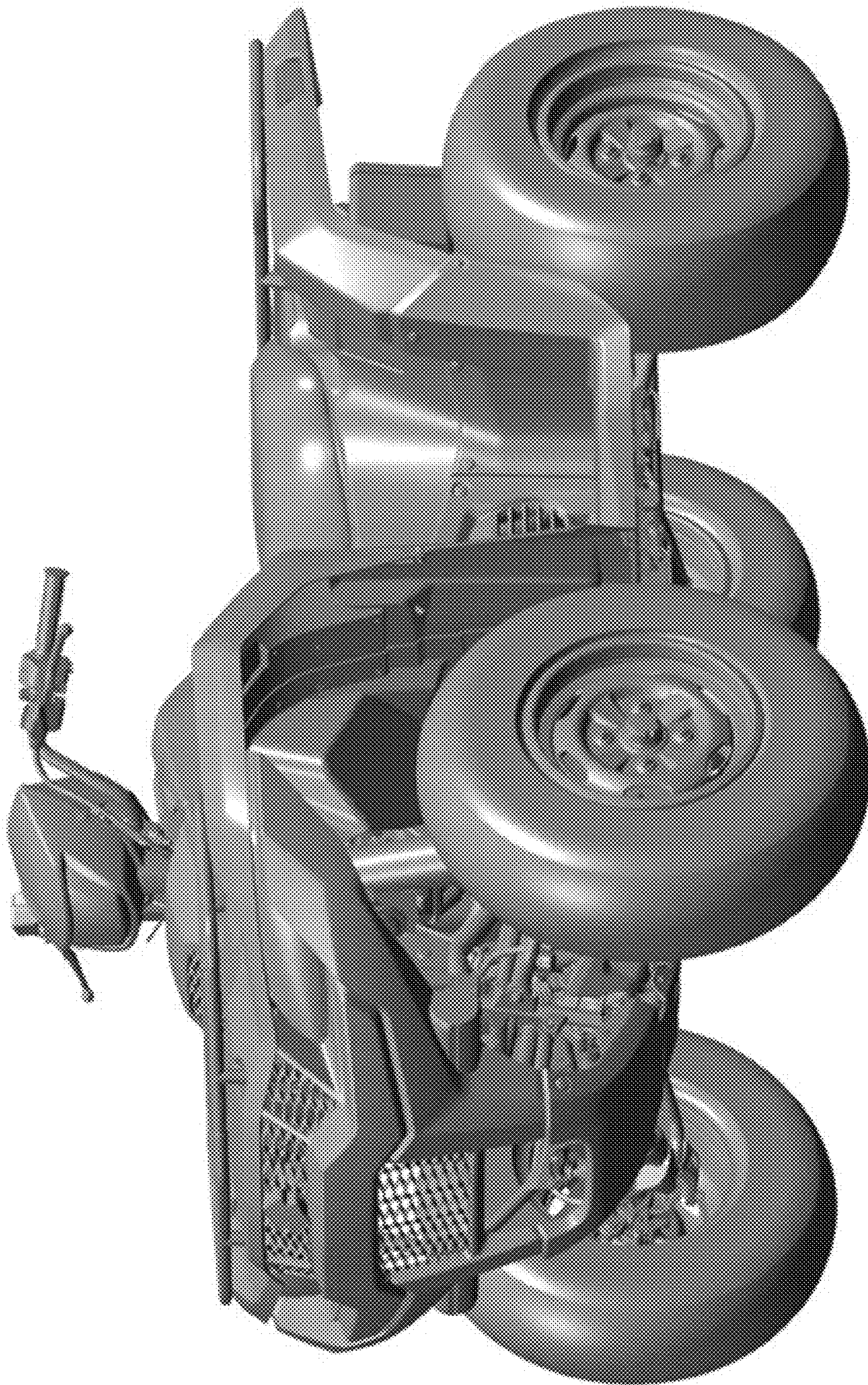


FIG. 7



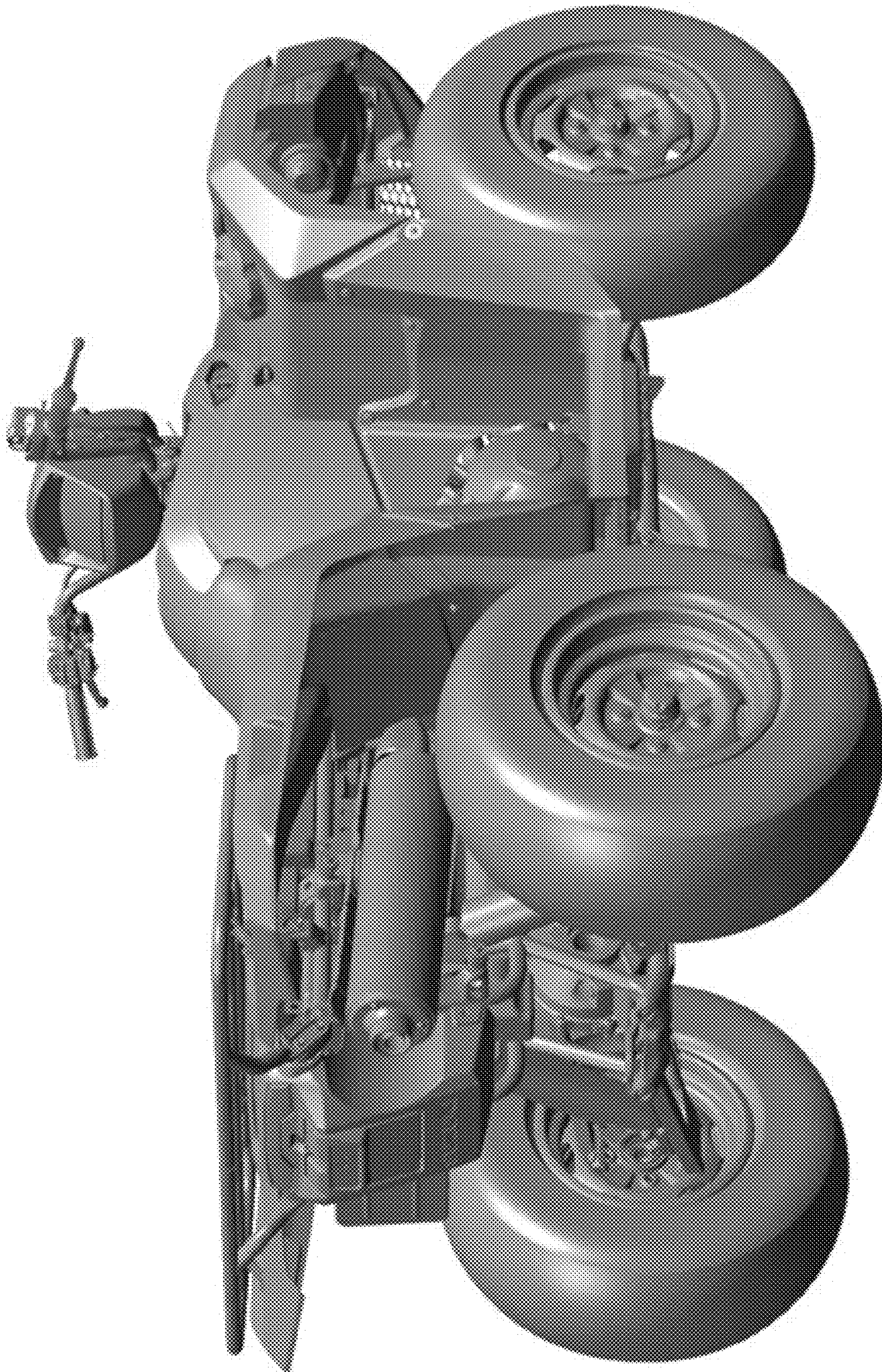


FIG. 8