



US00D878968S

(12) **United States Design Patent**  
**Gómez Sarasola**

(10) **Patent No.:** **US D878,968 S**  
(45) **Date of Patent:** **\*\* Mar. 24, 2020**

- (54) **BUS**
- (71) Applicant: **IRIZAR, S. COOP.**, Ormaiztegi  
(Guipúzcoa) (ES)
- (72) Inventor: **Gotzon Gómez Sarasola**, Ormaiztegi  
(ES)
- (73) Assignee: **IRIZAR, S. COOP.** (ES)
- (\*\*) Term: **15 Years**
- (21) Appl. No.: **29/631,366**
- (22) Filed: **Dec. 29, 2017**
- (30) **Foreign Application Priority Data**  
Oct. 9, 2017 (EM) ..... 004391597-0001
- (51) **LOC (12) Cl.** ..... **12-08**
- (52) **U.S. Cl.**  
USPC ..... **D12/84**
- (58) **Field of Classification Search**  
USPC ..... D12/82, 84, 86, 92, 100  
CPC ..... B62D 23/00; B62D 25/00; B62D 31/02;  
B62D 31/04; B62D 53/062; B62D 65/00;  
B60G 2202/152; B60G 2300/14; B60P  
3/007; B21D 53/88  
See application file for complete search history.

- (56) **References Cited**  
U.S. PATENT DOCUMENTS  
D248,033 S \* 5/1978 James ..... D12/84  
D254,609 S \* 4/1980 Neal ..... D12/84  
D255,340 S \* 6/1980 Flesche ..... D12/84  
D257,141 S \* 9/1980 Flesche ..... D12/84  
D268,997 S \* 5/1983 Dubernard ..... D12/84  
D302,802 S \* 8/1989 Manning ..... D12/84

- D305,623 S \* 1/1990 Gallitzendoerfer ..... D12/84
- D345,120 S \* 3/1994 Normand, Jr. .... D12/84
- D376,562 S \* 12/1996 Sealy ..... D12/84
- 5,669,307 A \* 9/1997 Cichy ..... B61B 1/02  
104/28
- D442,888 S \* 5/2001 Papke ..... D12/84
- D503,126 S \* 3/2005 Papke ..... D12/84
- D531,933 S \* 11/2006 Delamour ..... D12/84
- D537,755 S \* 3/2007 Toth ..... D12/84
- D617,236 S \* 6/2010 Counts ..... D12/84
- D637,520 S \* 5/2011 Kerr ..... D12/84
- D642,092 S \* 7/2011 Wiens ..... D12/84
- D704,595 S \* 5/2014 Streicher ..... D12/84
- D714,187 S \* 9/2014 Lian ..... D12/84
- D717,210 S \* 11/2014 Wang ..... D12/84
- D718,659 S \* 12/2014 Lin ..... D12/84
- D721,297 S \* 1/2015 Zhang ..... D12/84
- D721,298 S \* 1/2015 Li ..... D12/84
- 2009/0224570 A1 \* 9/2009 Haswell ..... B62D 31/04  
296/178
- 2012/0161469 A1 \* 6/2012 Kerr ..... B62D 31/02  
296/178

\* cited by examiner

*Primary Examiner* — Darlington Ly  
(74) *Attorney, Agent, or Firm* — Ostrolenk Faber LLP

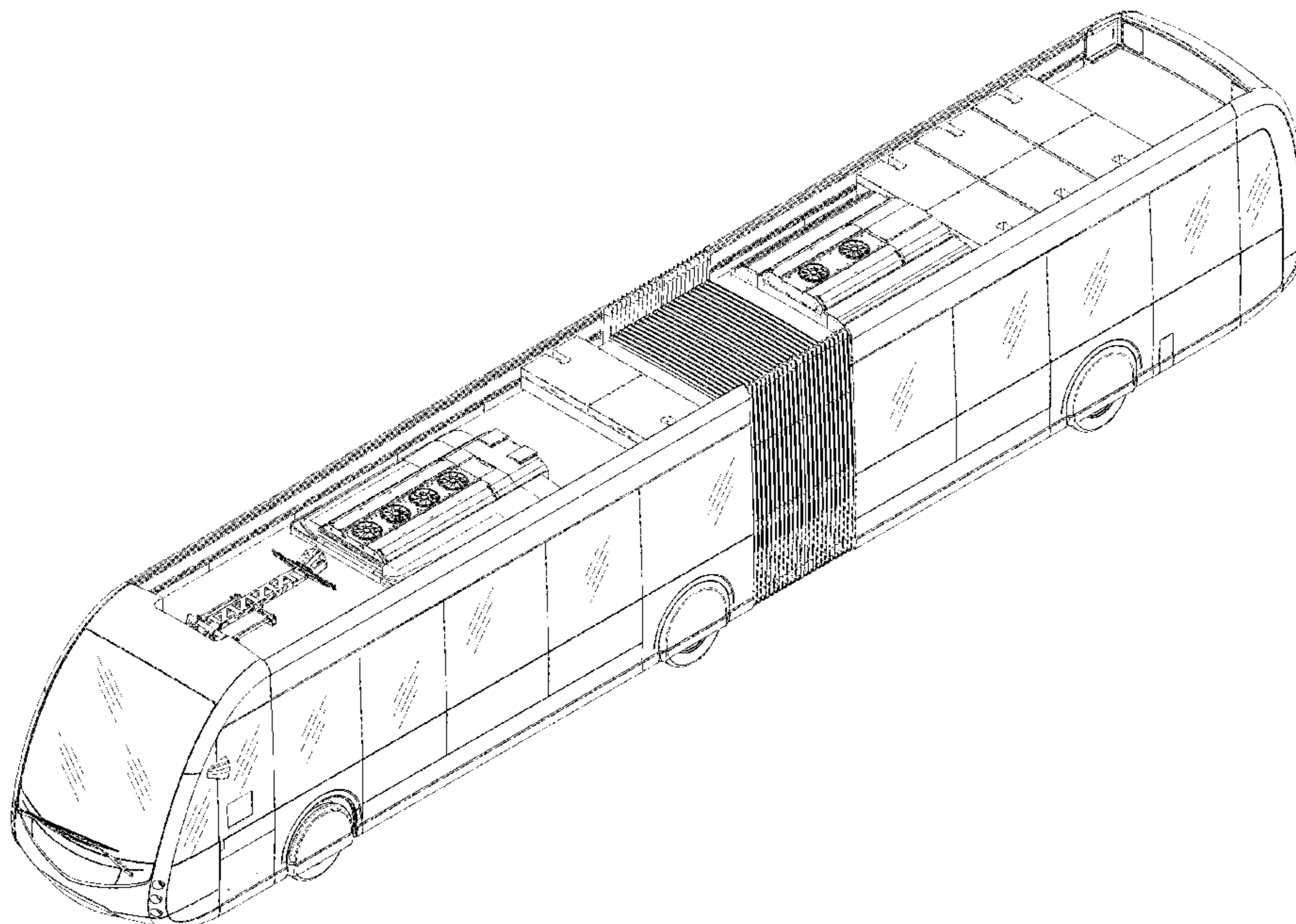
(57) **CLAIM**

The ornamental design for a bus, as shown and described.

**DESCRIPTION**

FIG. 1 is a top, front, and left side perspective view of a bus showing my new design;  
FIG. 2 is a left side elevation view thereof;  
FIG. 3 is a top plan view thereof;  
FIG. 4 is a rear elevation view thereof;  
FIG. 5 is a right side elevation view thereof;  
FIG. 6 is a front elevation view thereof; and,  
FIG. 7 is a top, rear, and right side perspective view thereof.

**1 Claim, 7 Drawing Sheets**



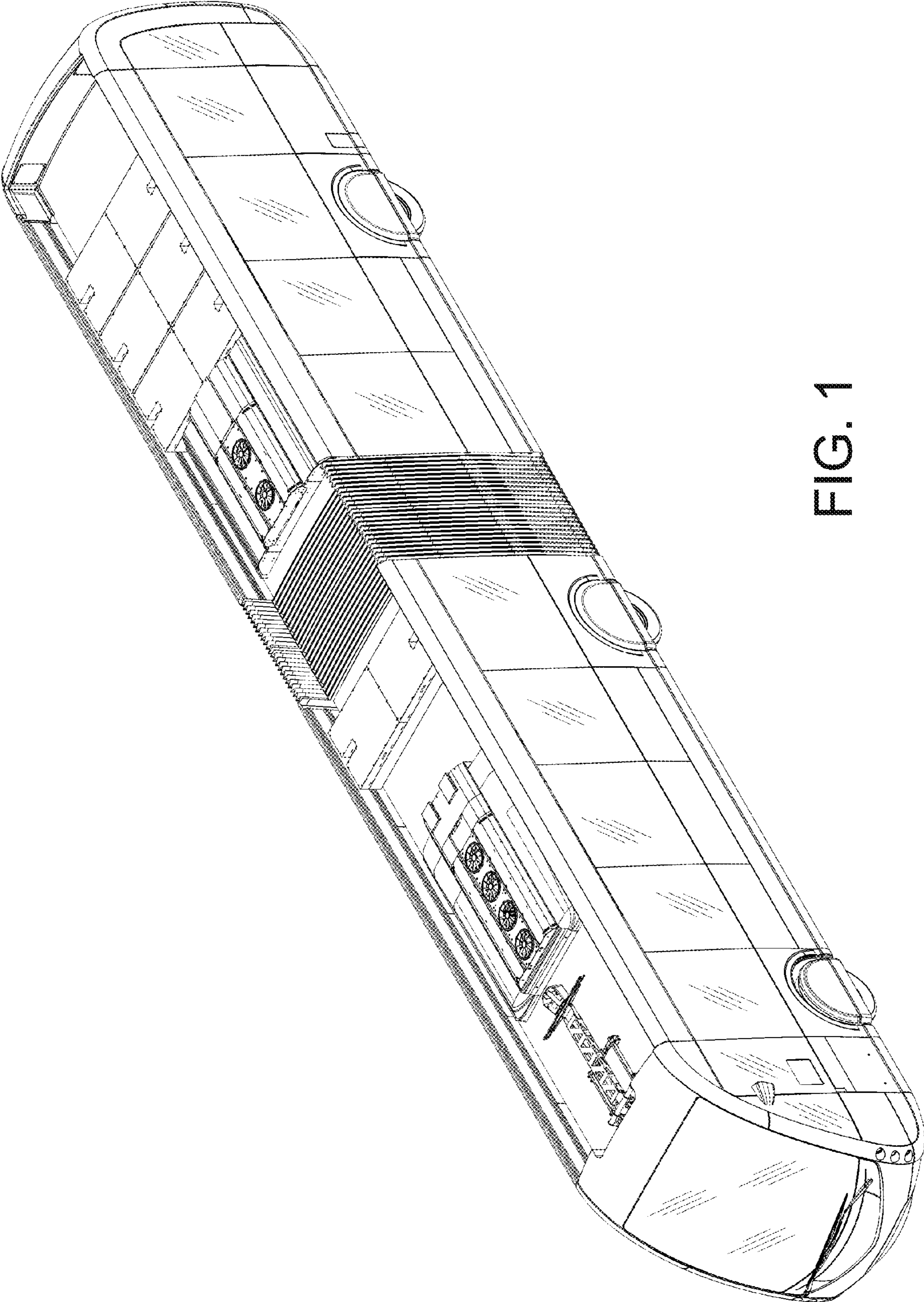


FIG. 1

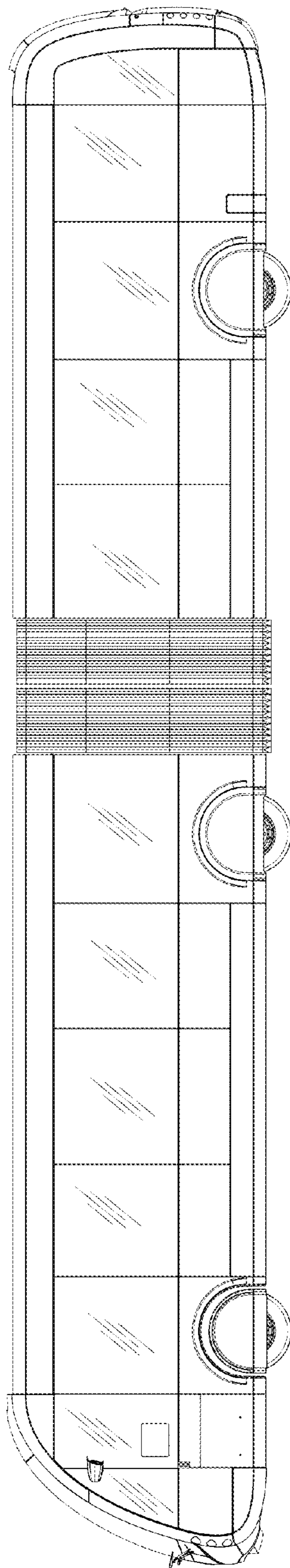


FIG. 2

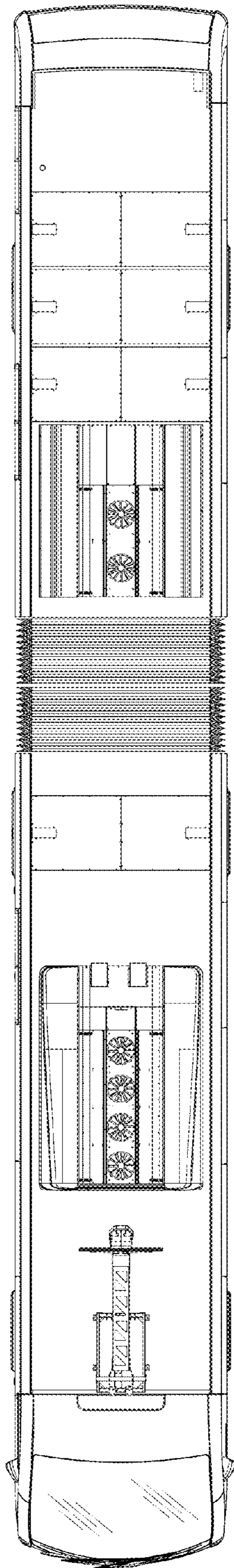


FIG. 3

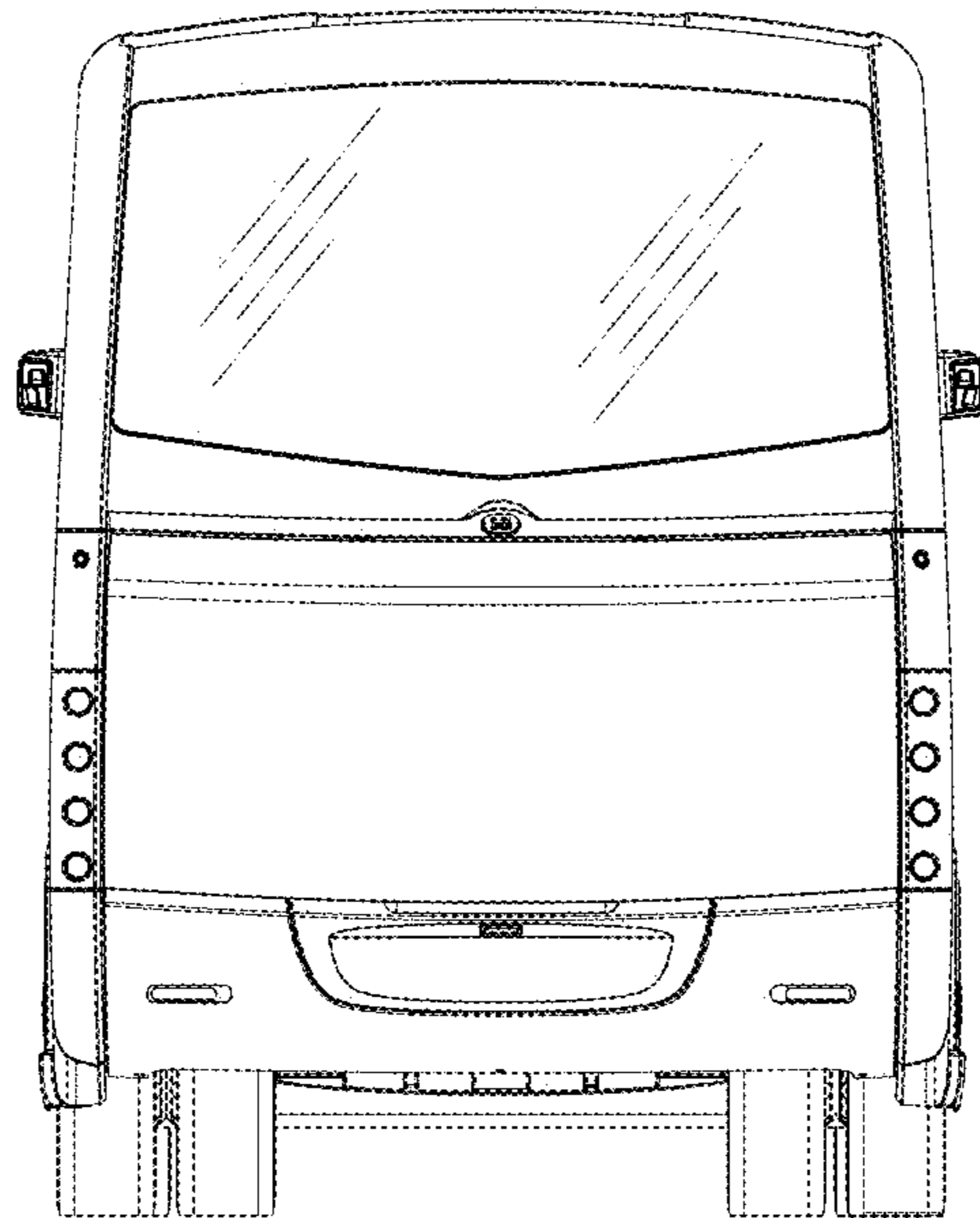


FIG. 4

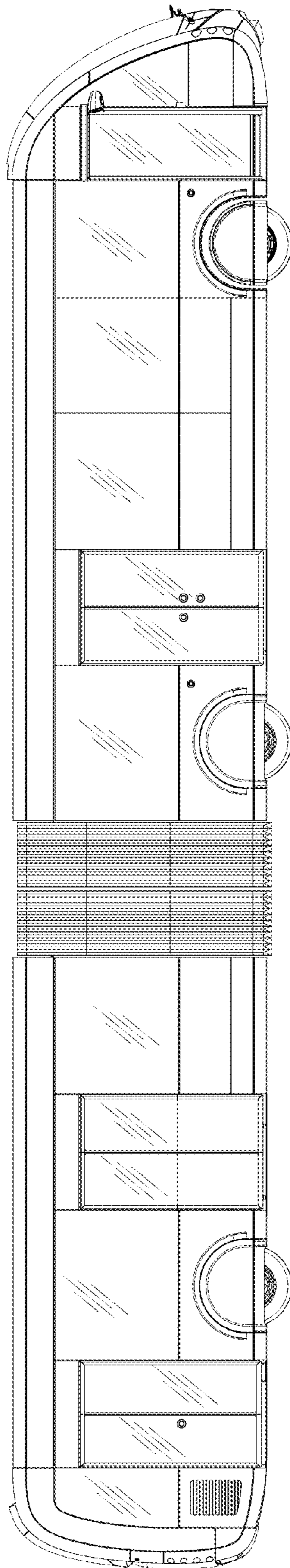


FIG. 5

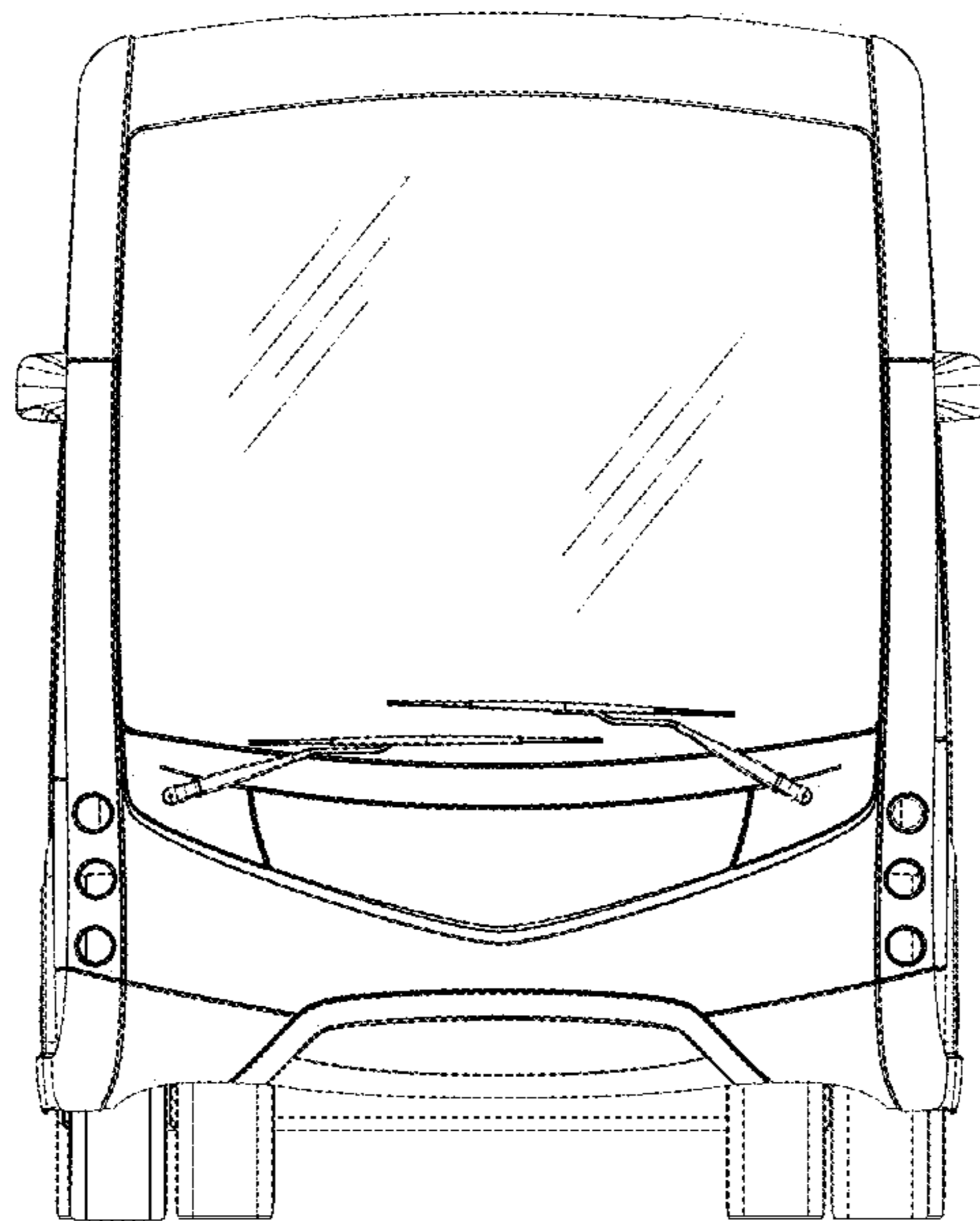


FIG. 6

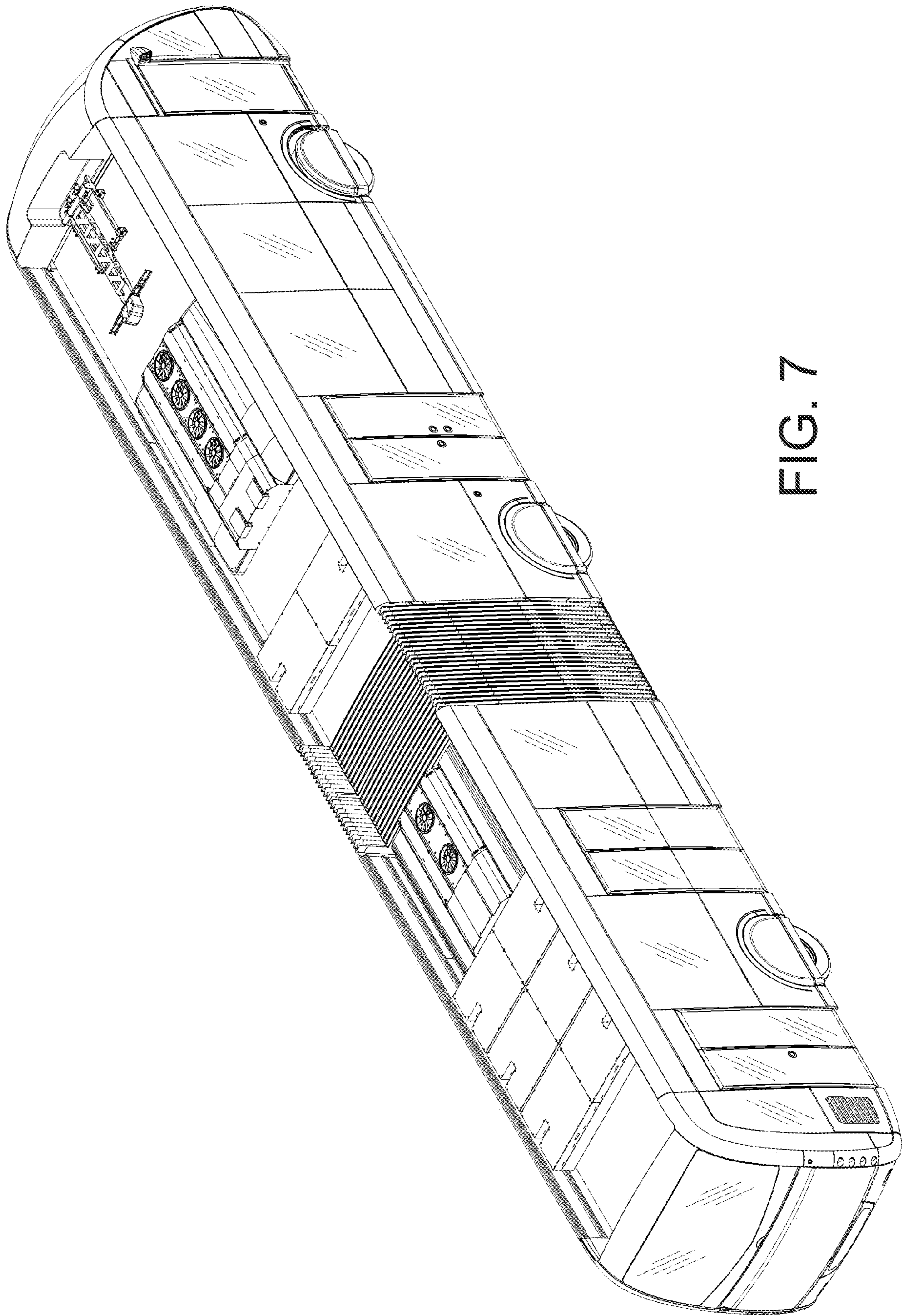


FIG. 7