



US00D878955S

(12) **United States Design Patent**  
**Gurung**

(10) **Patent No.:** **US D878,955 S**

(45) **Date of Patent:** **\*\* Mar. 24, 2020**

(54) **RING**

(71) Applicant: **Tasaki & Co., Ltd.**, Kobe (JP)

(72) Inventor: **Prabal Gurung**, New York, NY (US)

(73) Assignee: **Tasaki & Co., Ltd.**, Kobe (JP)

(\*\*) Term: **15 Years**

(21) Appl. No.: **29/650,052**

(22) Filed: **Jun. 4, 2018**

(51) **LOC (12) Cl.** ..... **11-01**

(52) **U.S. Cl.**  
USPC ..... **D11/34**

(58) **Field of Classification Search**  
USPC ..... D11/1-5, 16, 26-39, 49, 91, 92  
CPC ..... A44C 9/00; A44C 9/0007; A44C 9/0015;  
A44C 9/0023; A44C 9/003; A44C  
9/0038; A44C 9/0046; A44C 9/0053;  
A44C 9/0061; A44C 9/0069; A44C  
9/0076; A44C 9/0084; A44C 9/0092;  
A44C 9/02; A44C 17/02; A44C 17/0208;  
A44C 17/0216; A44C 17/0225; A44C  
17/0233; A44C 17/0241; A44C 17/025;  
A44C 17/0258; A44C 17/0266; A44C  
17/0275; A44C 17/0283; A44C 17/0291  
See application file for complete search history.

(56) **References Cited**

**U.S. PATENT DOCUMENTS**

D45,163 S \* 1/1914 Sweet ..... D11/4  
2,346,607 A \* 4/1944 Raiman ..... A44C 9/02  
63/15  
D602,803 S \* 10/2009 Gruosi ..... D11/27  
D726,574 S \* 4/2015 Krahbichler ..... D11/27  
D740,712 S \* 10/2015 Wempe ..... D11/26

D742,778 S \* 11/2015 Wempe ..... D11/34  
D744,891 S \* 12/2015 Wempe ..... D11/34  
D825,378 S \* 8/2018 Ellingson ..... D11/200

**OTHER PUBLICATIONS**

[Online] "Aurora Ring" [https://www.tasaki-global.com/jewellery/atelier/tasaki\\_atelier/aurora/RNI-4765-18KWG/?jewellery=ring](https://www.tasaki-global.com/jewellery/atelier/tasaki_atelier/aurora/RNI-4765-18KWG/?jewellery=ring). Retrieved Dec. 20, 2019.\*

\* cited by examiner

*Primary Examiner* — Melanie Pellegrini

(74) *Attorney, Agent, or Firm* — Fitch, Even, Tabin & Flannery LLP

(57) **CLAIM**

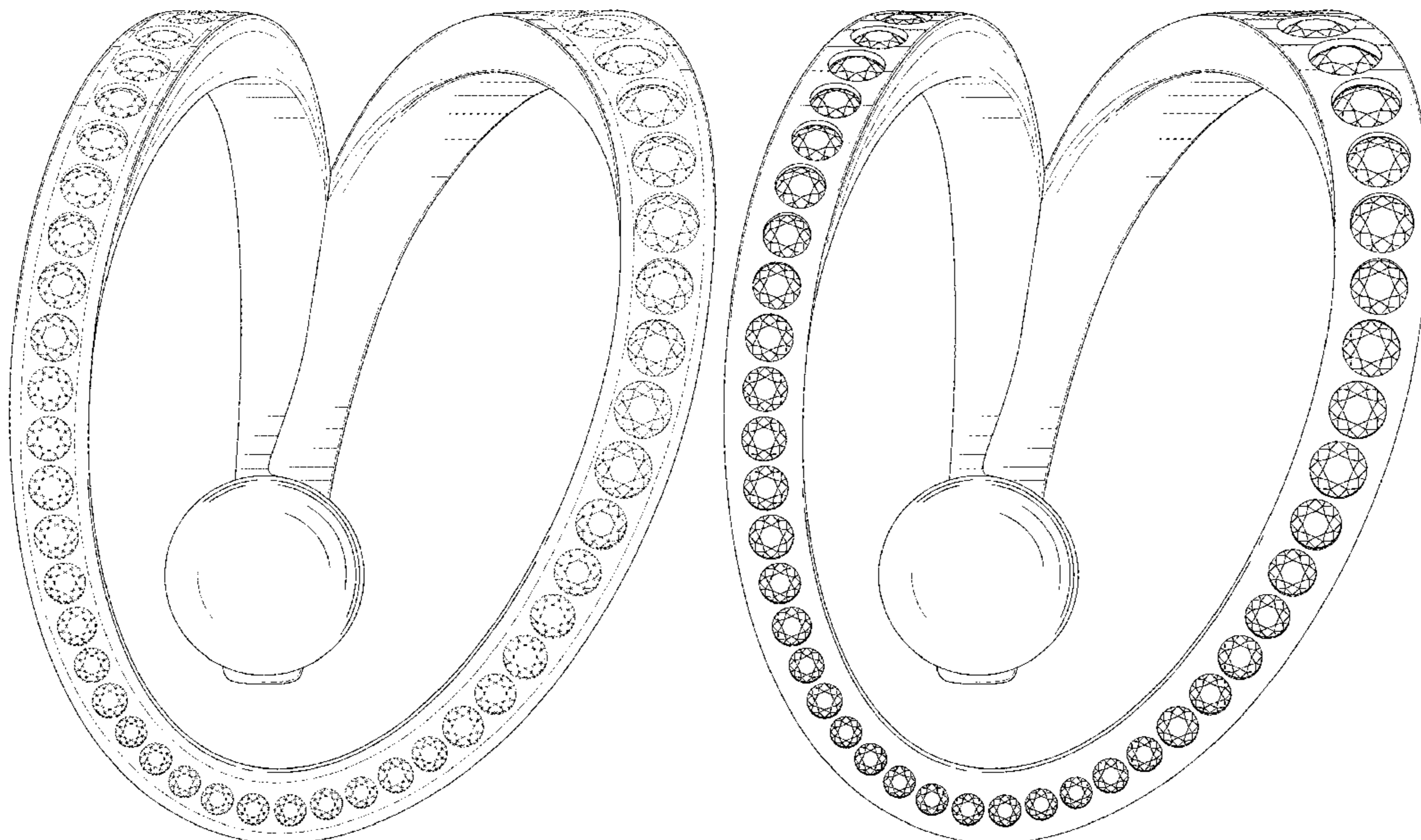
I claim the ornamental design for a ring, as shown and described.

**DESCRIPTION**

FIG. 1 is a front elevational view of a first embodiment of a ring, showing my new design;  
FIG. 2 is a rear elevational view thereof;  
FIG. 3 is a top plan view thereof;  
FIG. 4 is a bottom plan view thereof;  
FIG. 5 is a right side elevational view thereof;  
FIG. 6 is a left side elevational view thereof;  
FIG. 7 is a front elevational view of a second embodiment of a ring, showing my new design;  
FIG. 8 is a rear elevational view thereof;  
FIG. 9 is a top plan view thereof;  
FIG. 10 is a bottom plan view thereof;  
FIG. 11 is a right side elevational view thereof; and,  
FIG. 12 is a left side elevational view thereof.

The features shown in broken lines in the drawings form no part of the claimed design. The dot-dashed lines denote the boundary of the claim, and form no part of the claimed design.

**1 Claim, 12 Drawing Sheets**



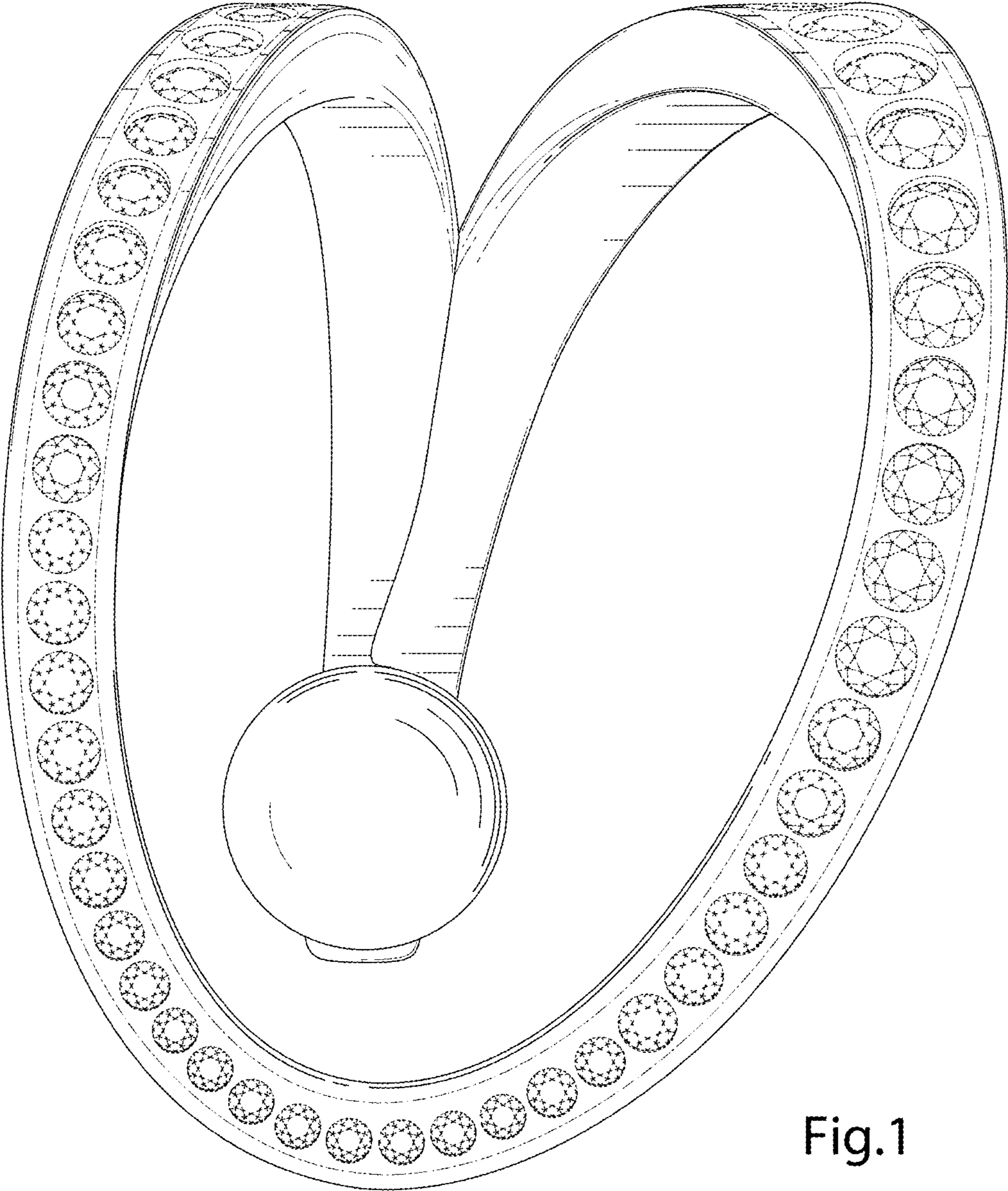


Fig.1

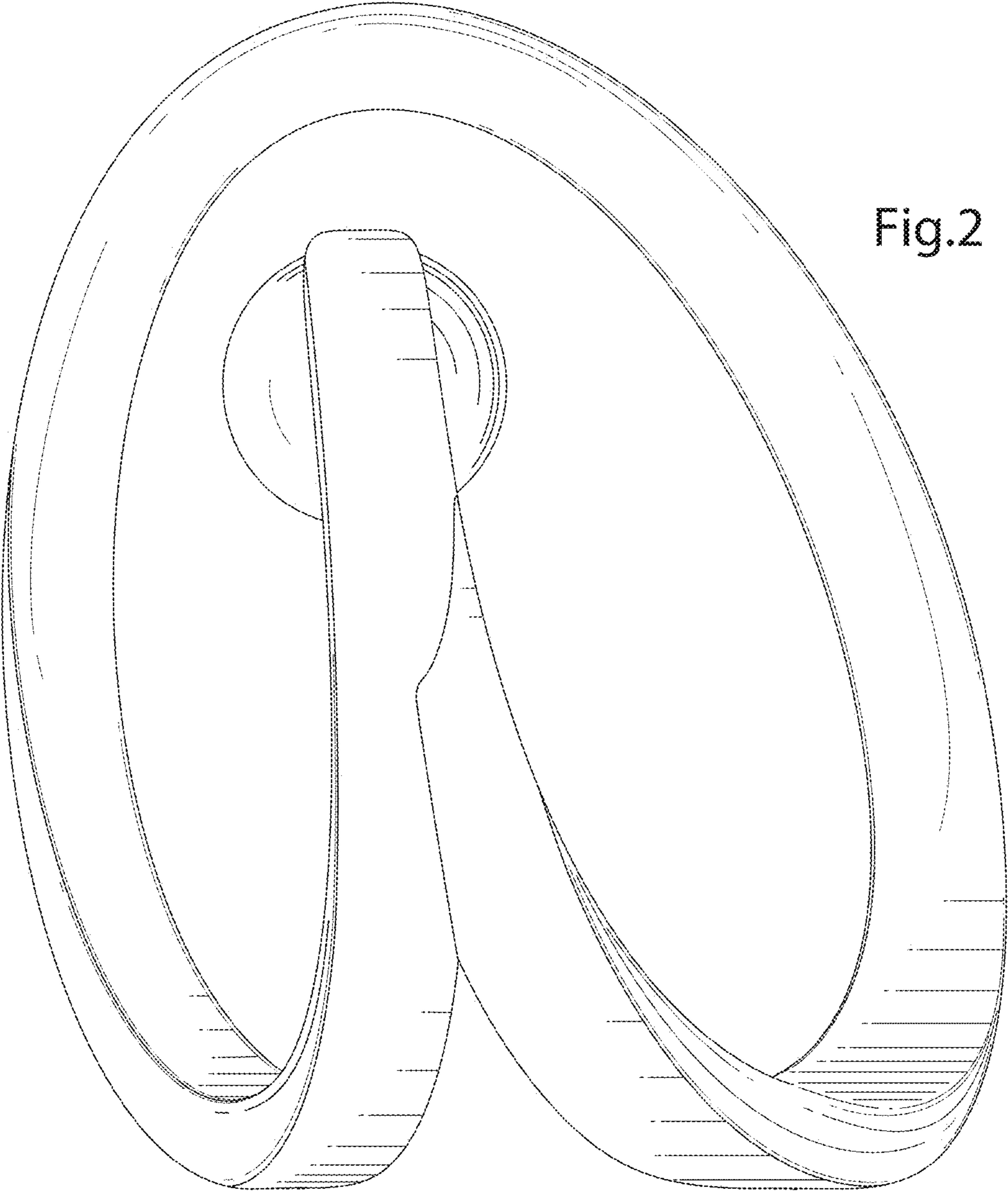


Fig.2

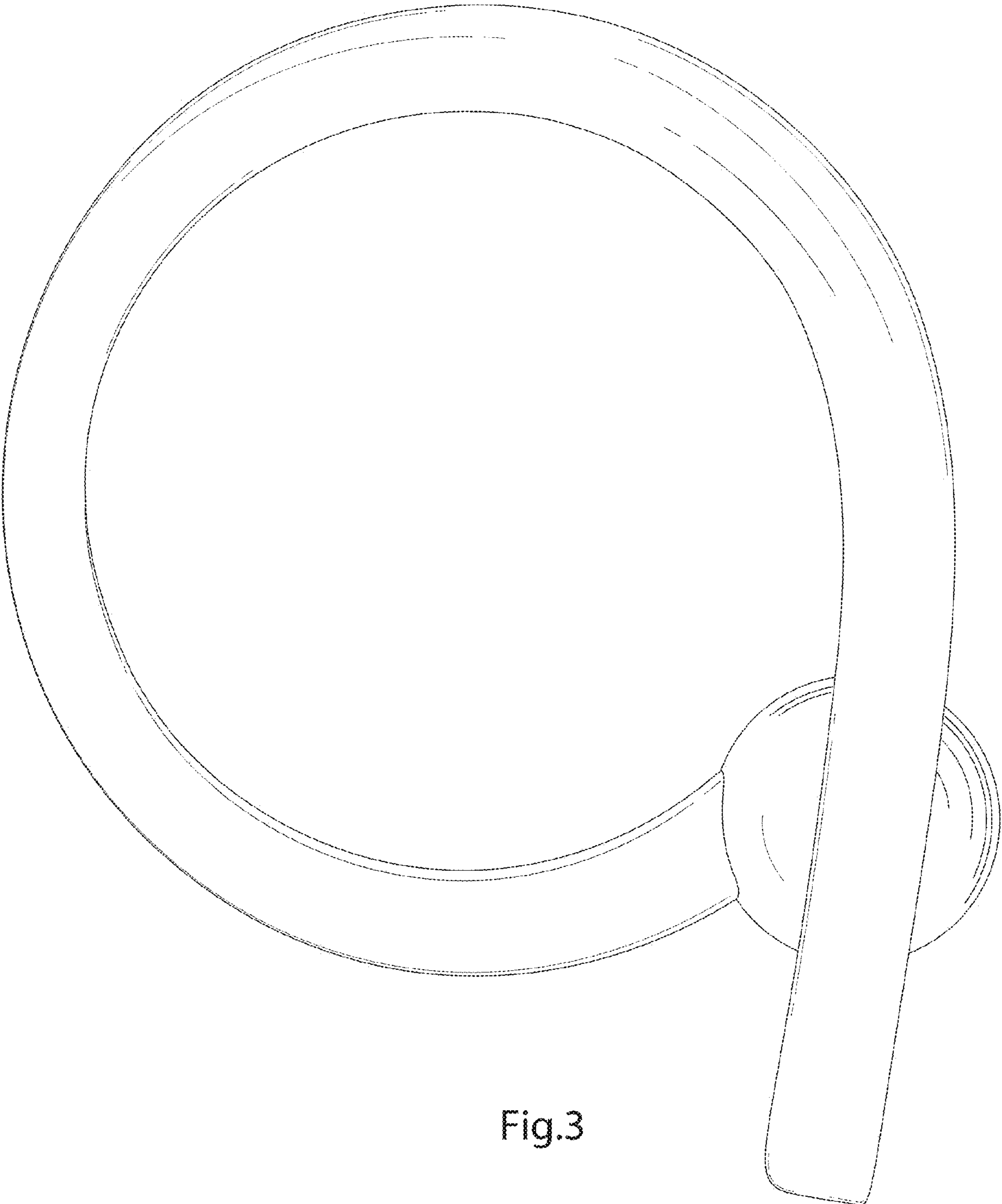


Fig.3

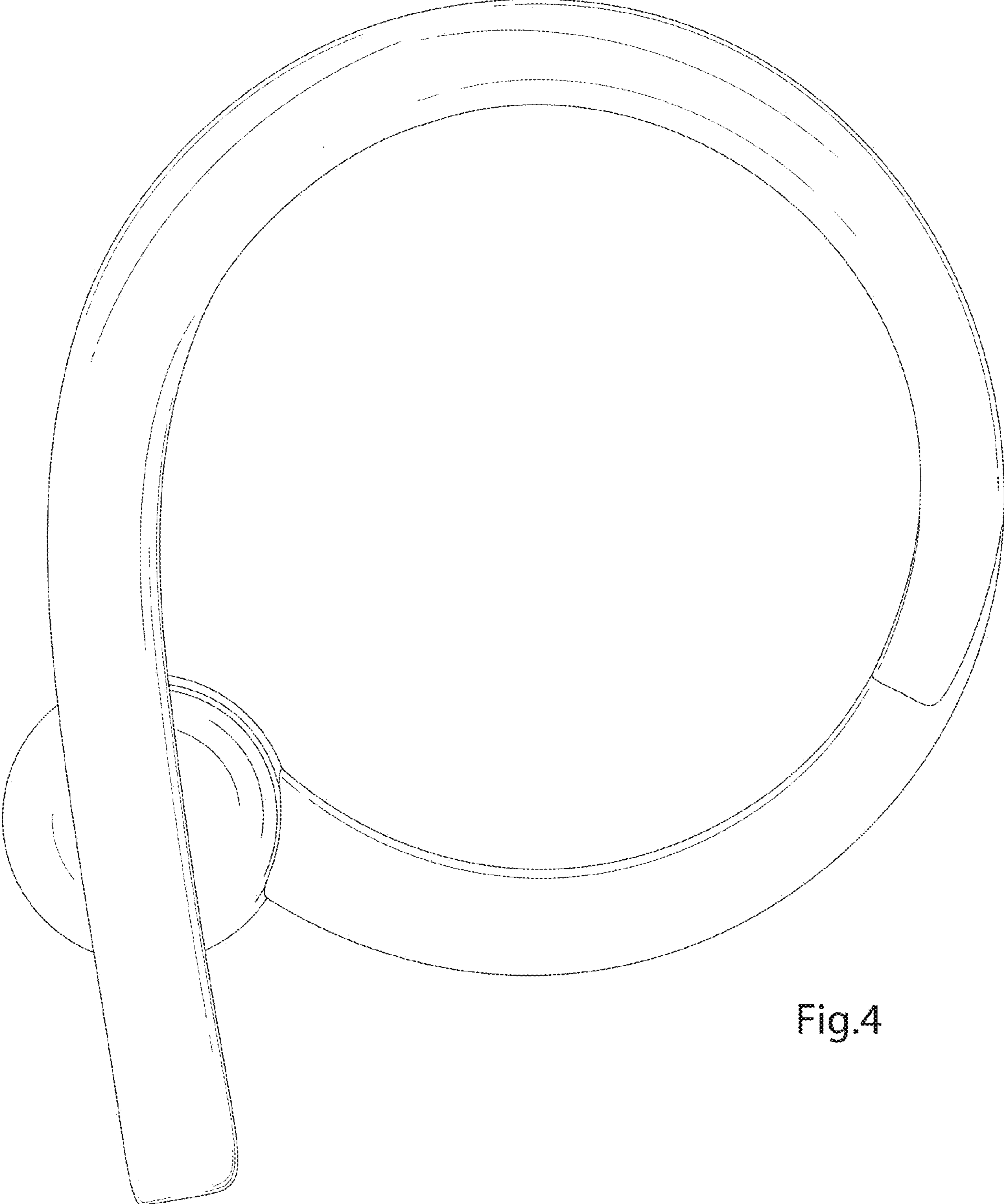


Fig. 4

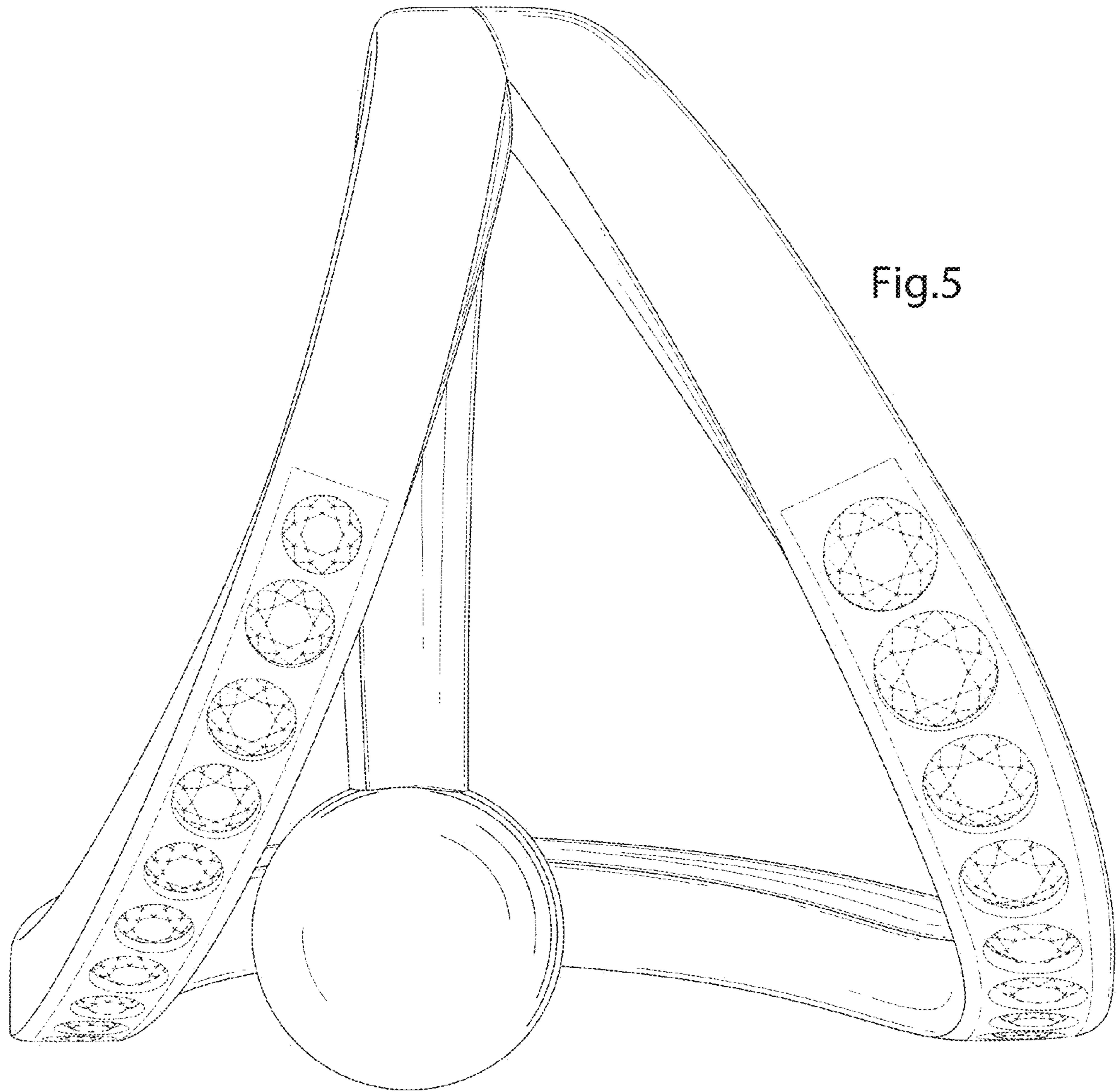


Fig.5

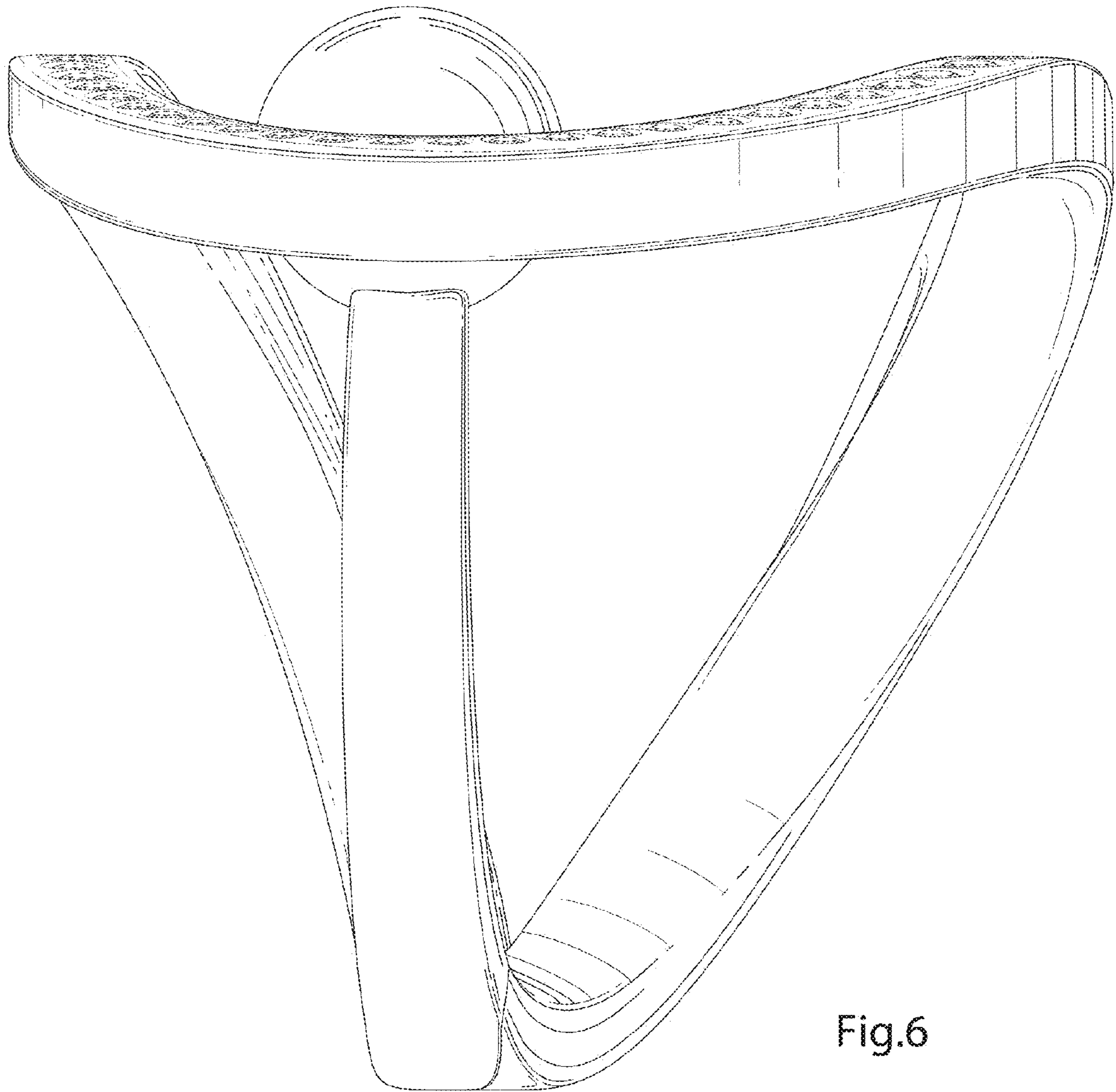


Fig.6

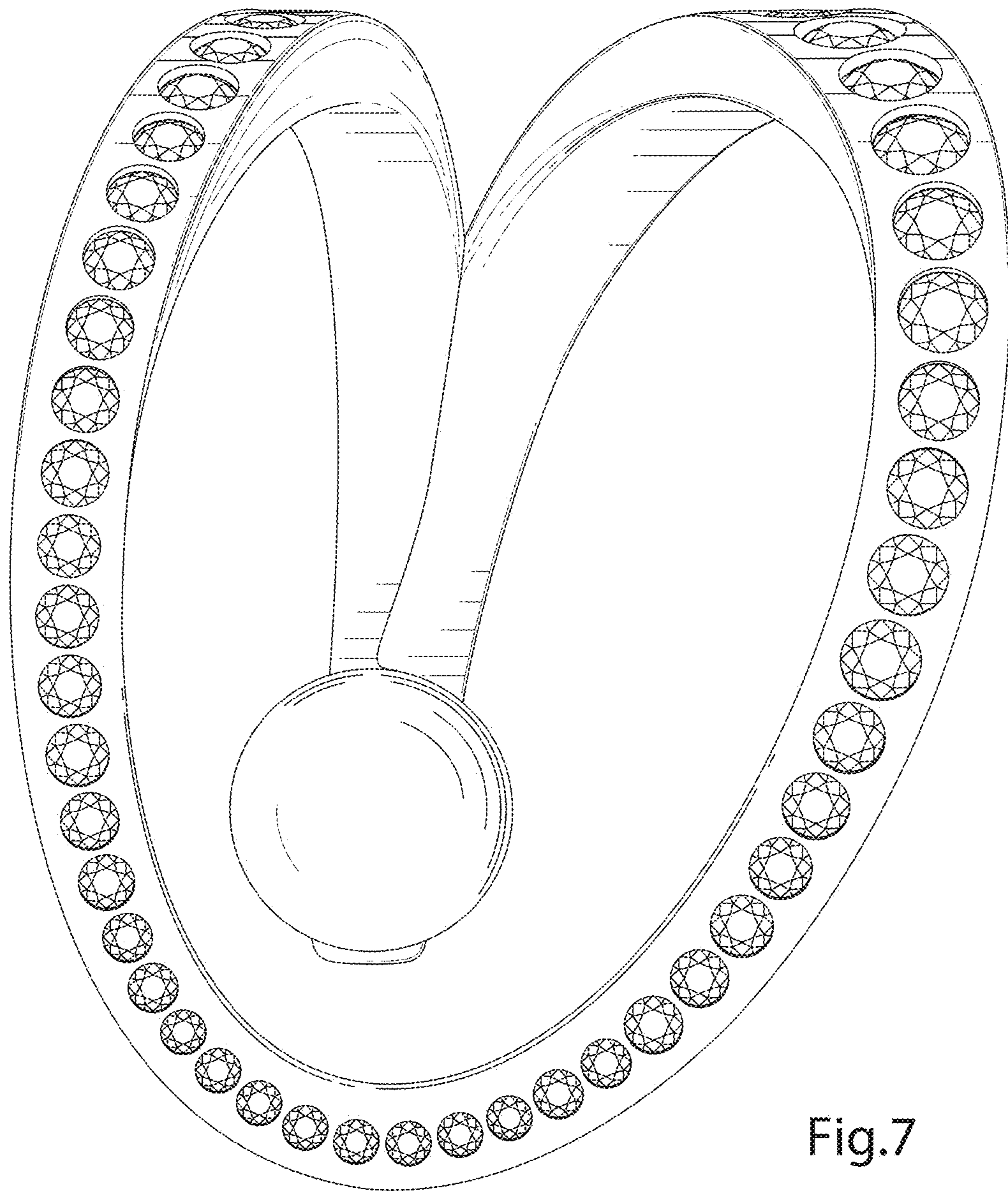


Fig.7



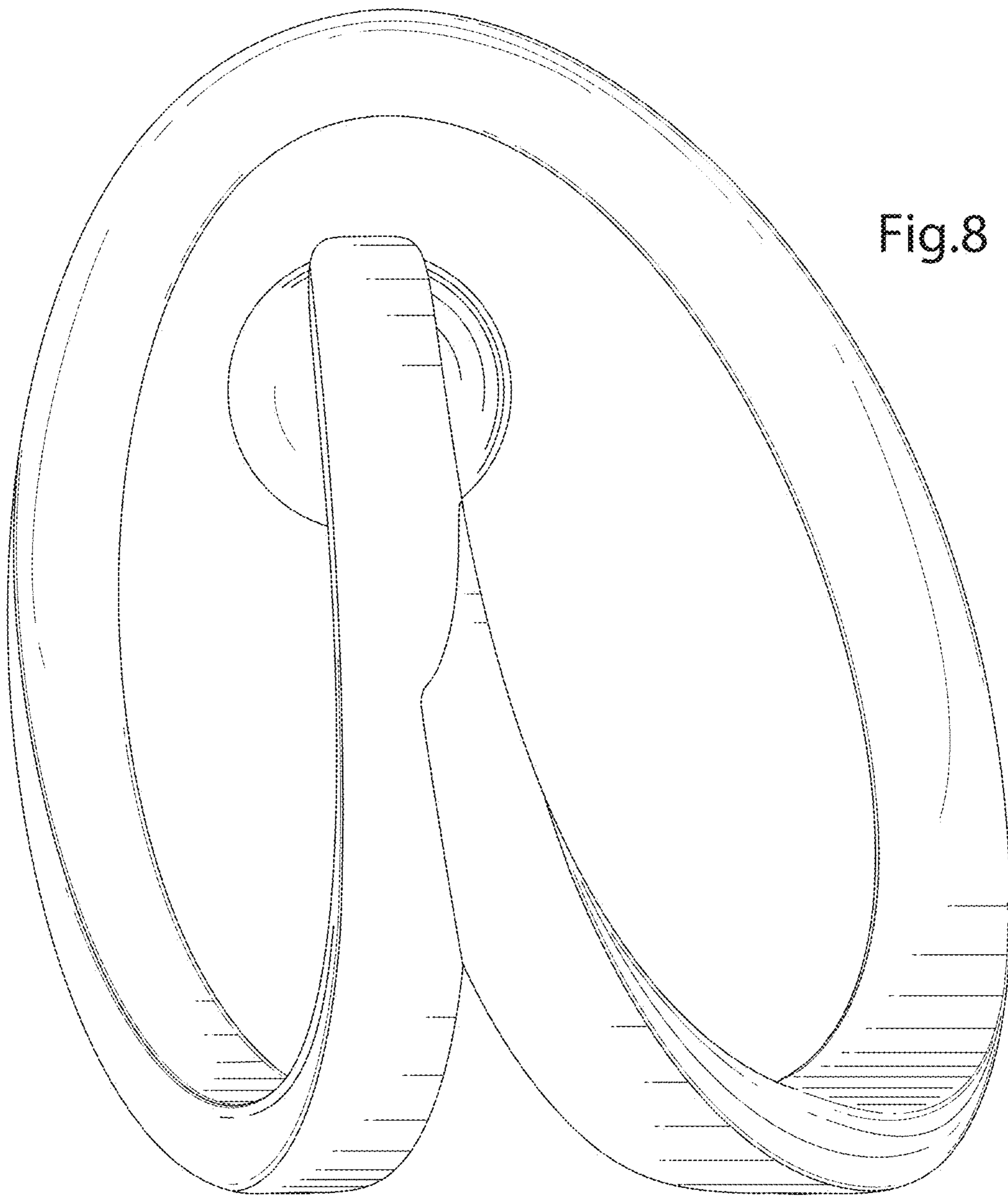


Fig. 8

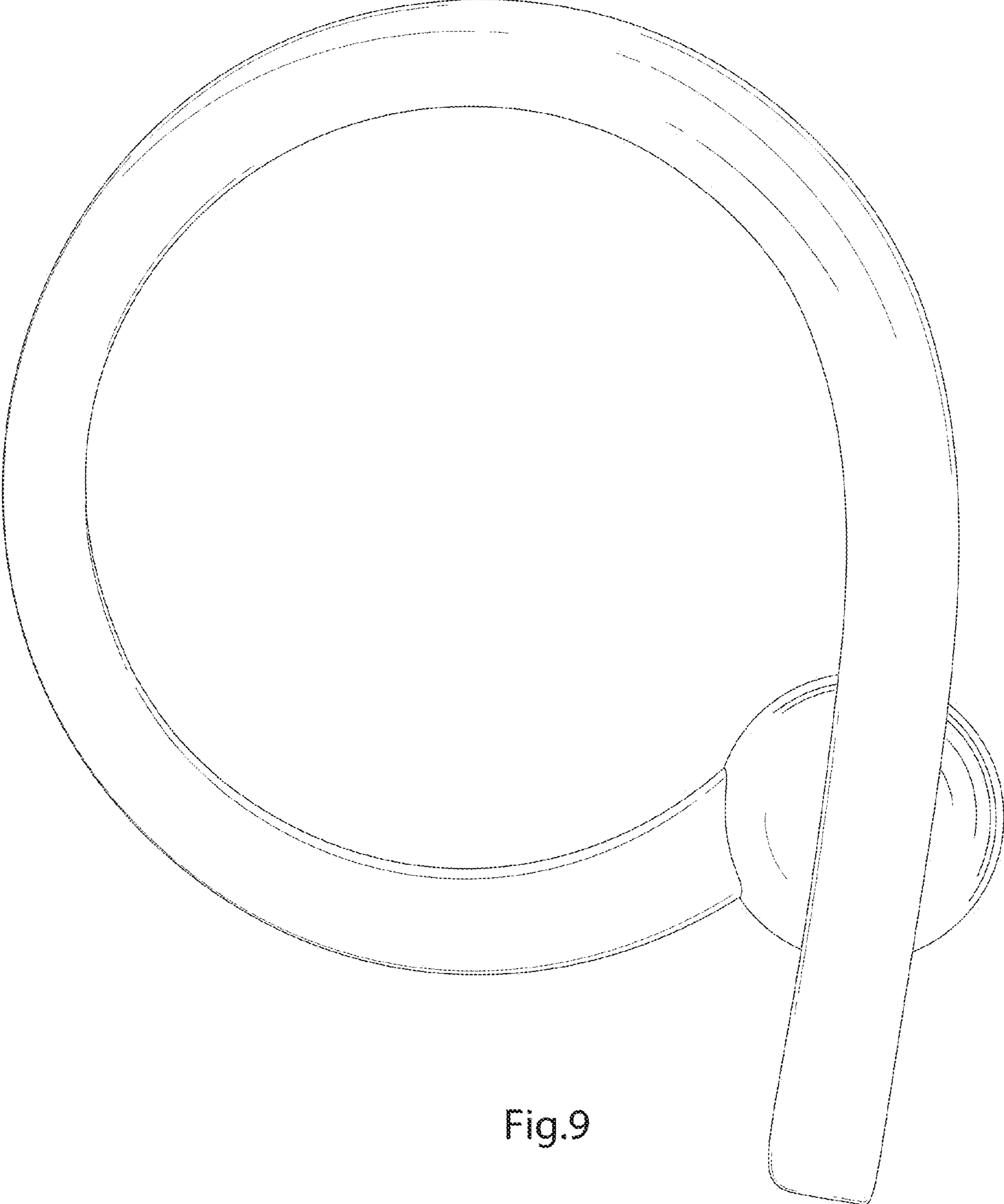


Fig.9

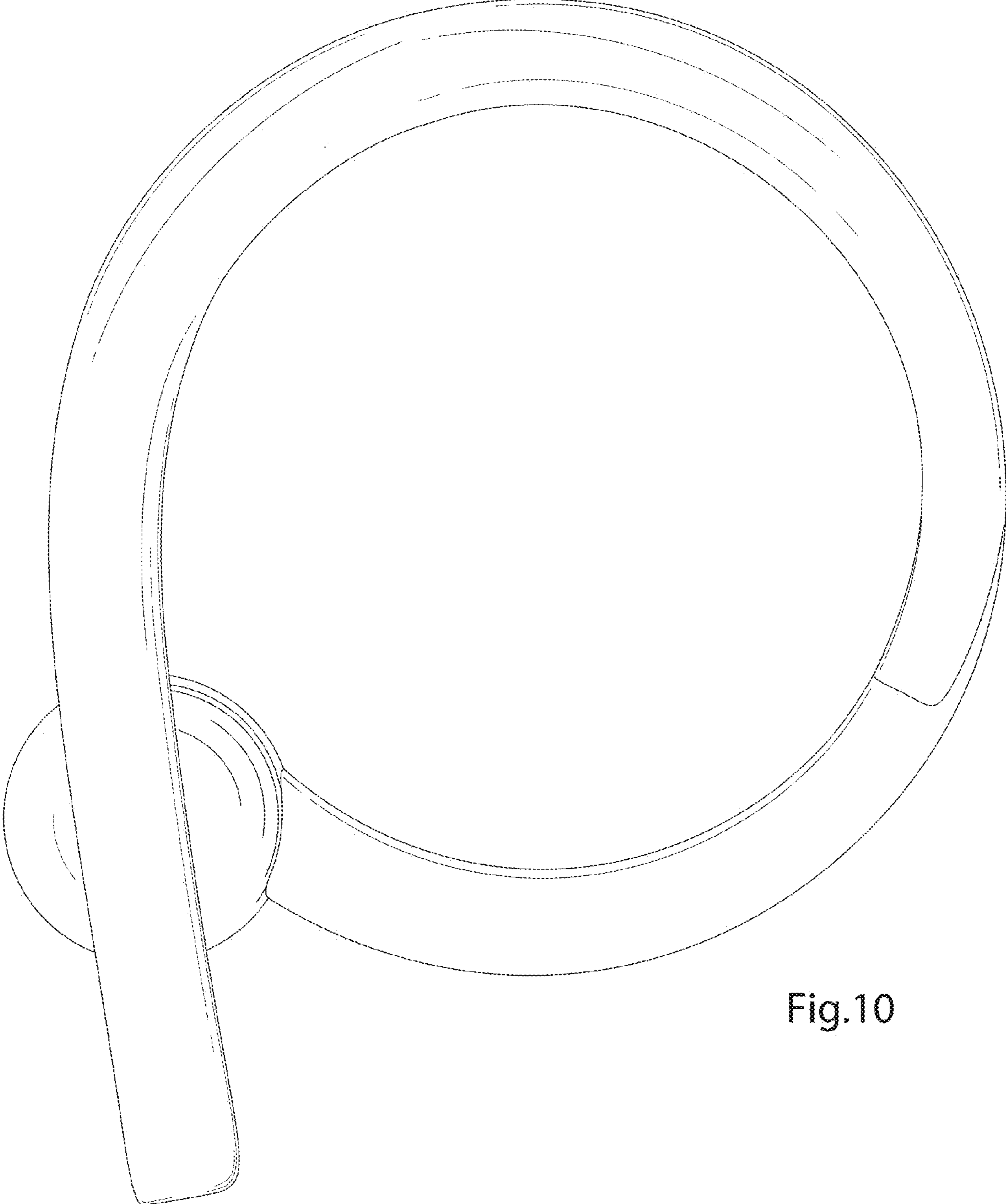


Fig.10

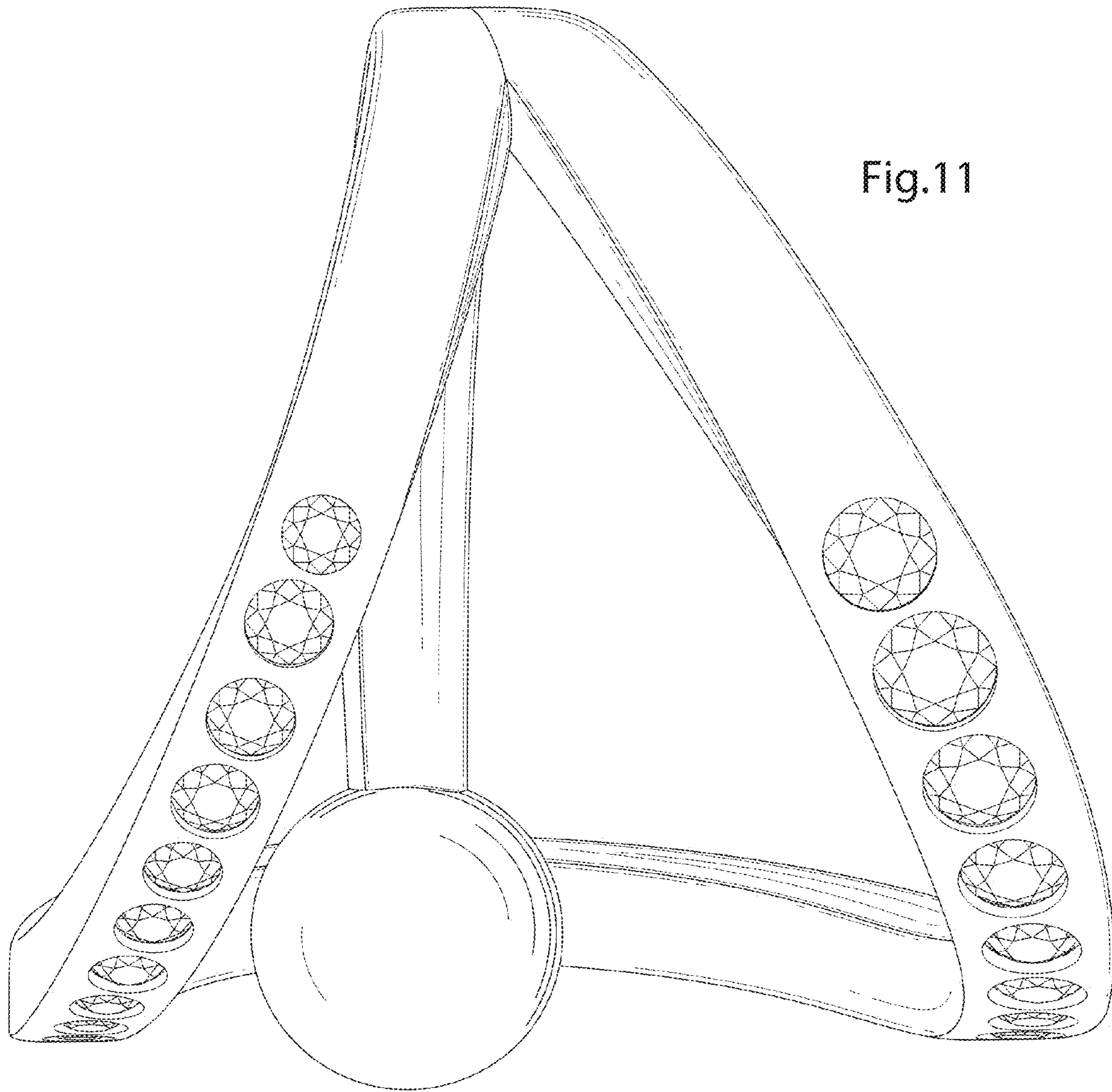


Fig.11

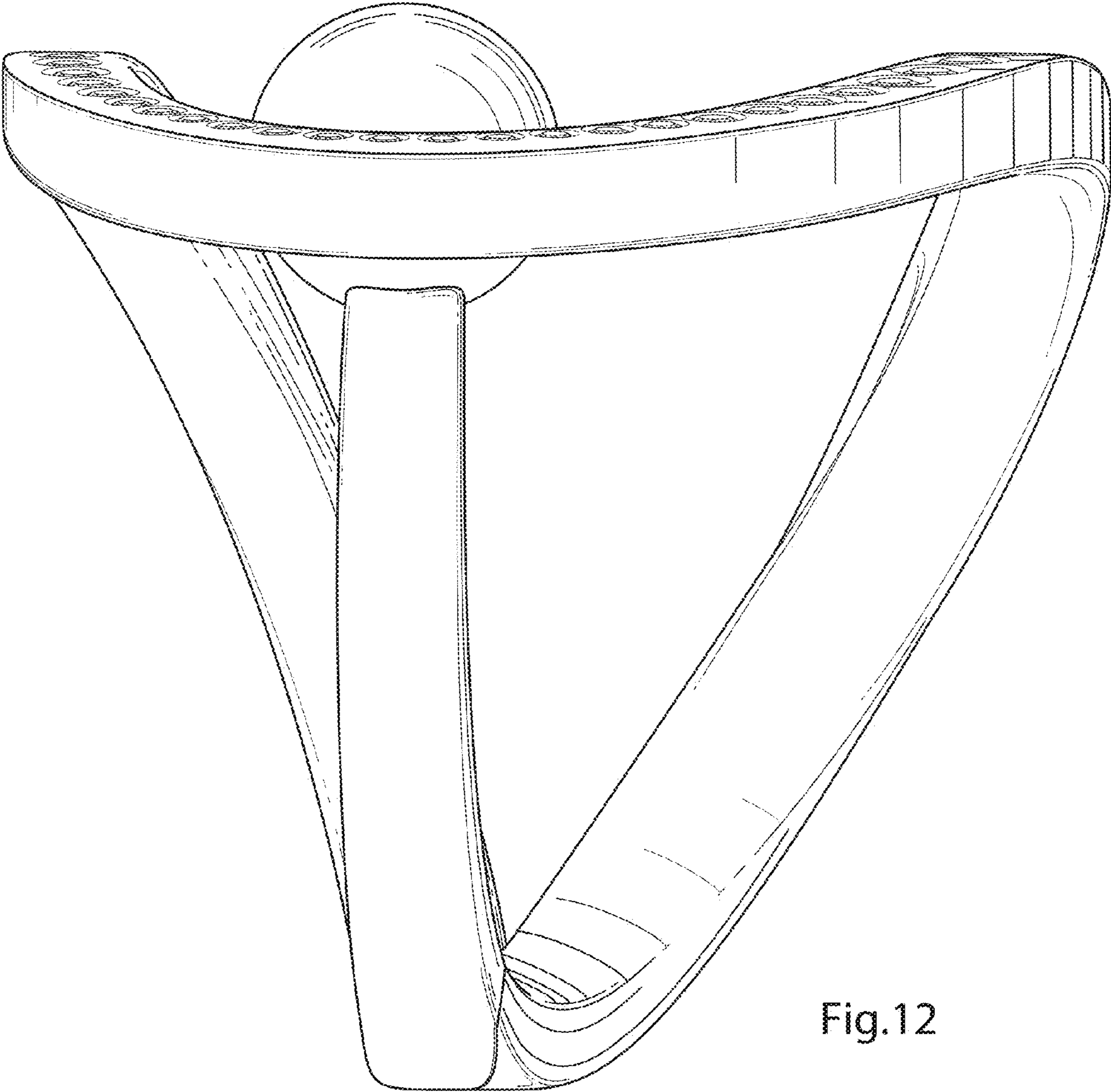


Fig.12