



US00D878954S

(12) **United States Design Patent**
Gurung

(10) **Patent No.:** **US D878,954 S**
(45) **Date of Patent:** **** Mar. 24, 2020**

- (54) **RING**
- (71) Applicant: **Tasaki & Co., Ltd.**, Kobe (JP)
- (72) Inventor: **Prabal Gurung**, New York, NY (US)
- (73) Assignee: **Tasaki & Co., Ltd.**, Kobe (JP)
- (**) Term: **15 Years**
- (21) Appl. No.: **29/650,074**
- (22) Filed: **Jun. 4, 2018**
- (51) **LOC (12) Cl.** **11-01**
- (52) **U.S. Cl.**
USPC **D11/26**
- (58) **Field of Classification Search**
USPC D11/1-5, 16, 26-39, 49, 91, 92
CPC A44C 9/00; A44C 9/0007; A44C 9/0015;
A44C 9/0023; A44C 9/003; A44C
9/0038; A44C 9/0046; A44C 9/0053;
A44C 9/0061; A44C 9/0069; A44C
9/0076; A44C 9/0084; A44C 9/0092;
A44C 9/02; A44C 17/02; A44C 17/0208;
A44C 17/0216; A44C 17/0225; A44C
17/0233; A44C 17/0241; A44C 17/025;
A44C 17/0258; A44C 17/0266; A44C
17/0275; A44C 17/0283; A44C 17/0291
See application file for complete search history.

D267,482 S *	1/1983	Barr	D11/28
D354,697 S *	1/1995	Andrau	D11/28
D678,801 S *	3/2013	Takahashi	D11/37
D780,018 S *	2/2017	Riviere	D11/34

OTHER PUBLICATIONS

[Online] "Nacreous" https://www.tasaki-global.com/jewellery/atelier/tasaki_atelier/nacreous/RPI-4742-18KWG/?jewellery=ring. Retrieved Dec. 29, 2019.*

* cited by examiner

Primary Examiner — Melanie Pellegrini
(74) *Attorney, Agent, or Firm* — Fitch, Even, Tabin & Flannery LLP

(57) **CLAIM**

I claim the ornamental design for a ring, as shown and described.

DESCRIPTION

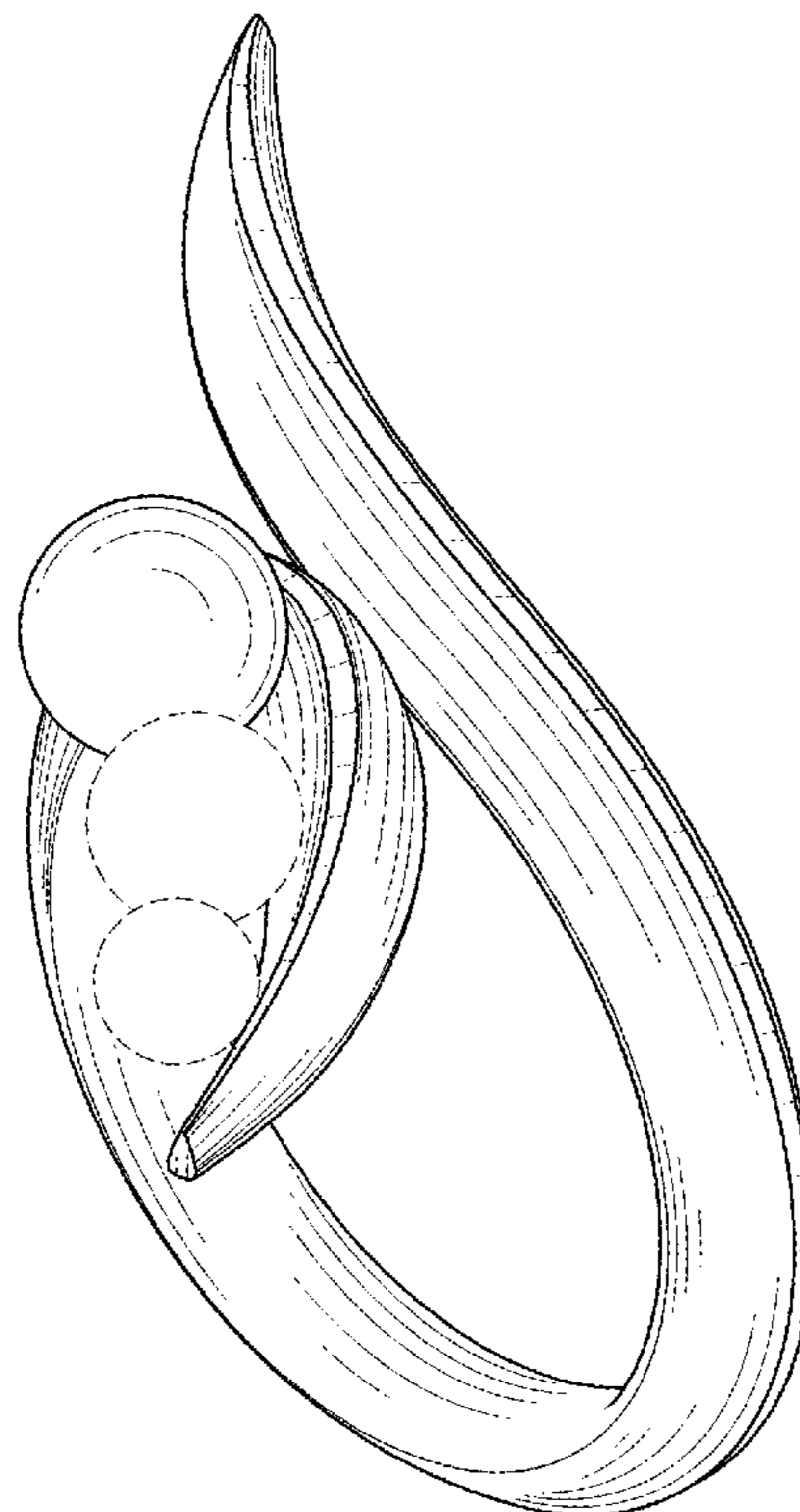
FIG. 1 is a front, top, and right side perspective view of a ring, showing my new design;
FIG. 2 is a front elevational view thereof;
FIG. 3 is a rear elevational view thereof;
FIG. 4 is a top plan view thereof;
FIG. 5 is a bottom plan view thereof;
FIG. 6 is a right side elevational view thereof; and,
FIG. 7 is a left side elevational view thereof.
The features shown in broken lines in the drawings form no part of the claimed design.

(56) **References Cited**

U.S. PATENT DOCUMENTS

D229,086 S *	11/1973	Bellamy	D11/28
D244,590 S *	6/1977	Rosenfeld	D11/34

1 Claim, 7 Drawing Sheets



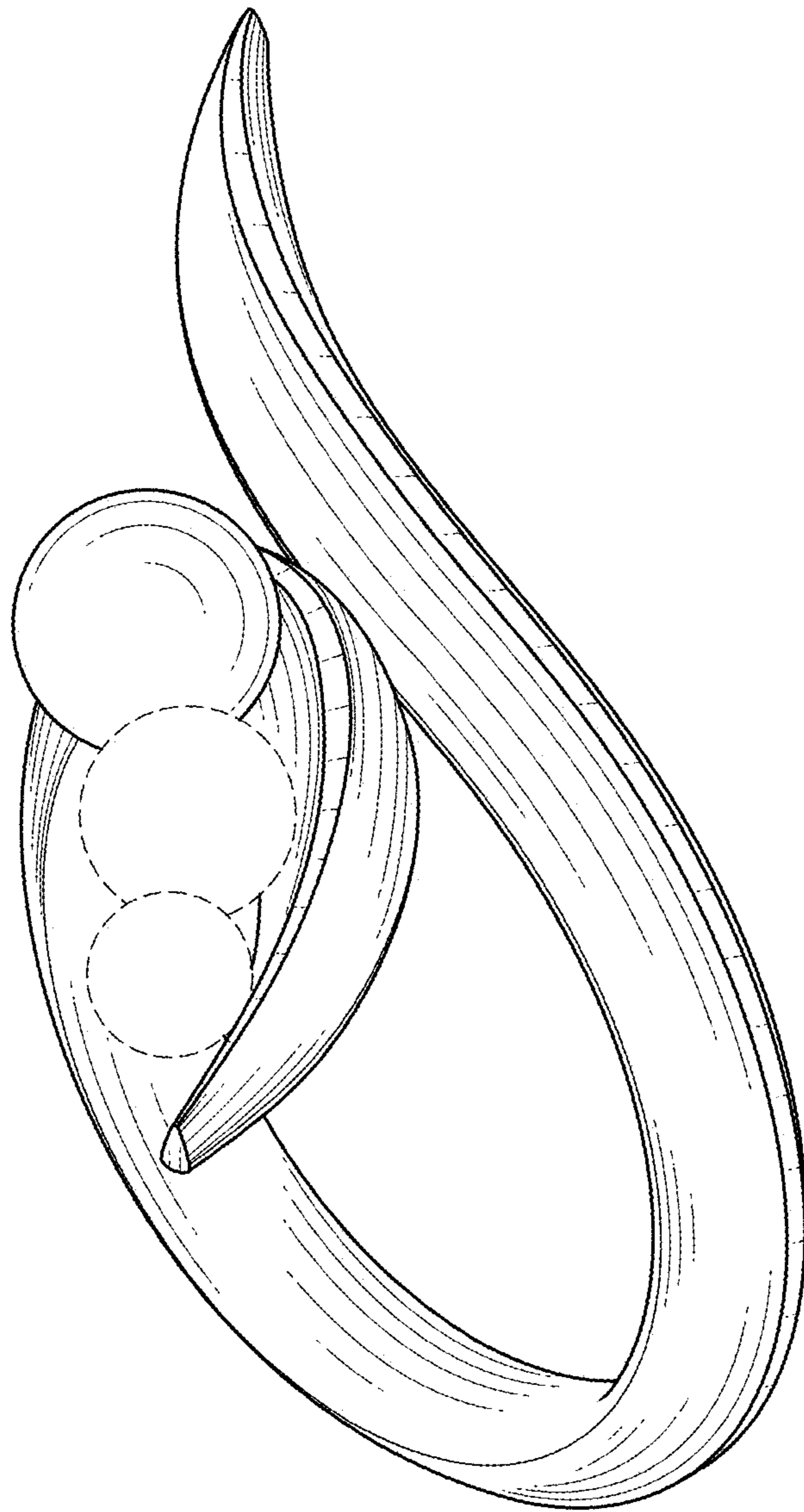


FIG. 1

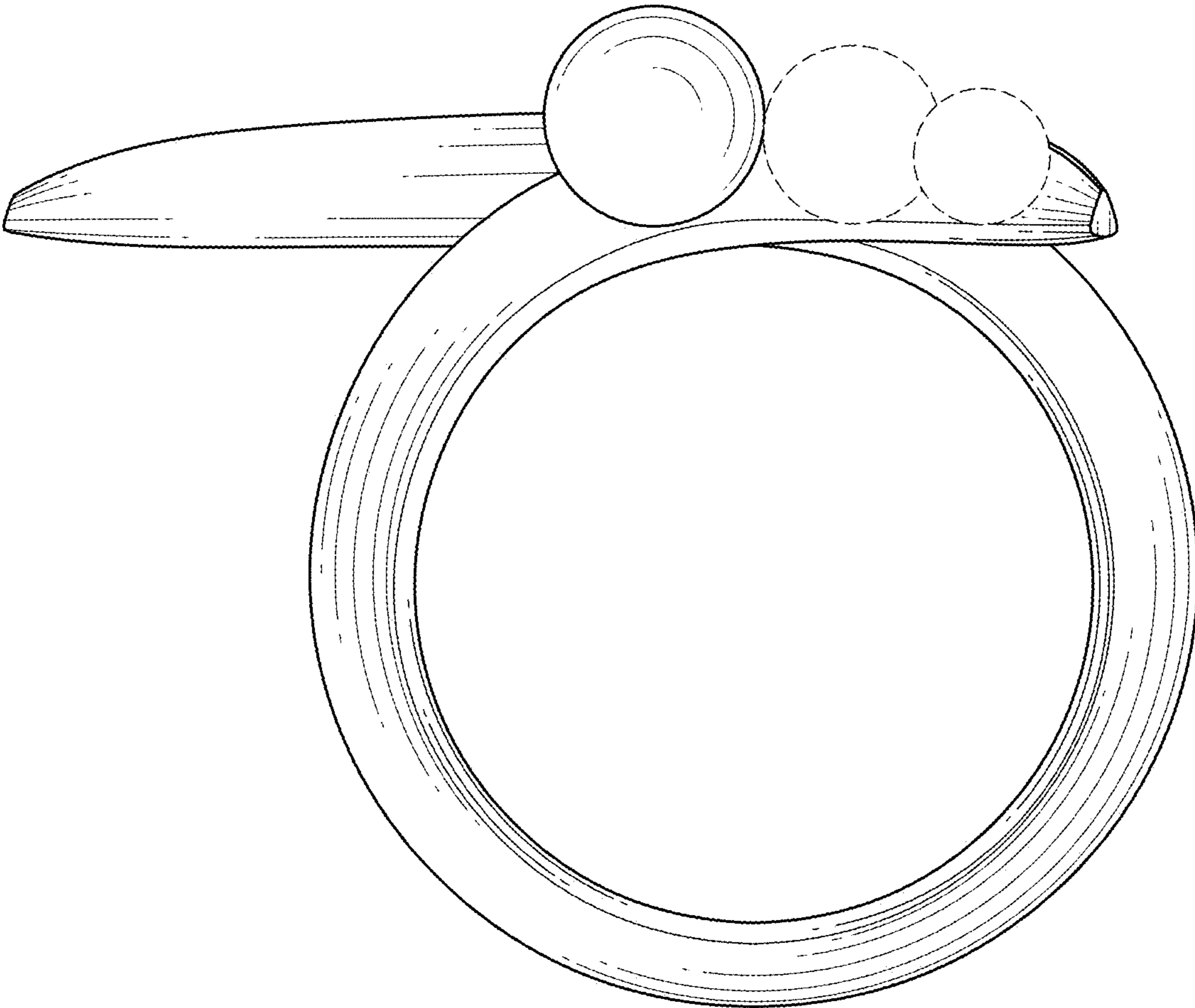


FIG. 2

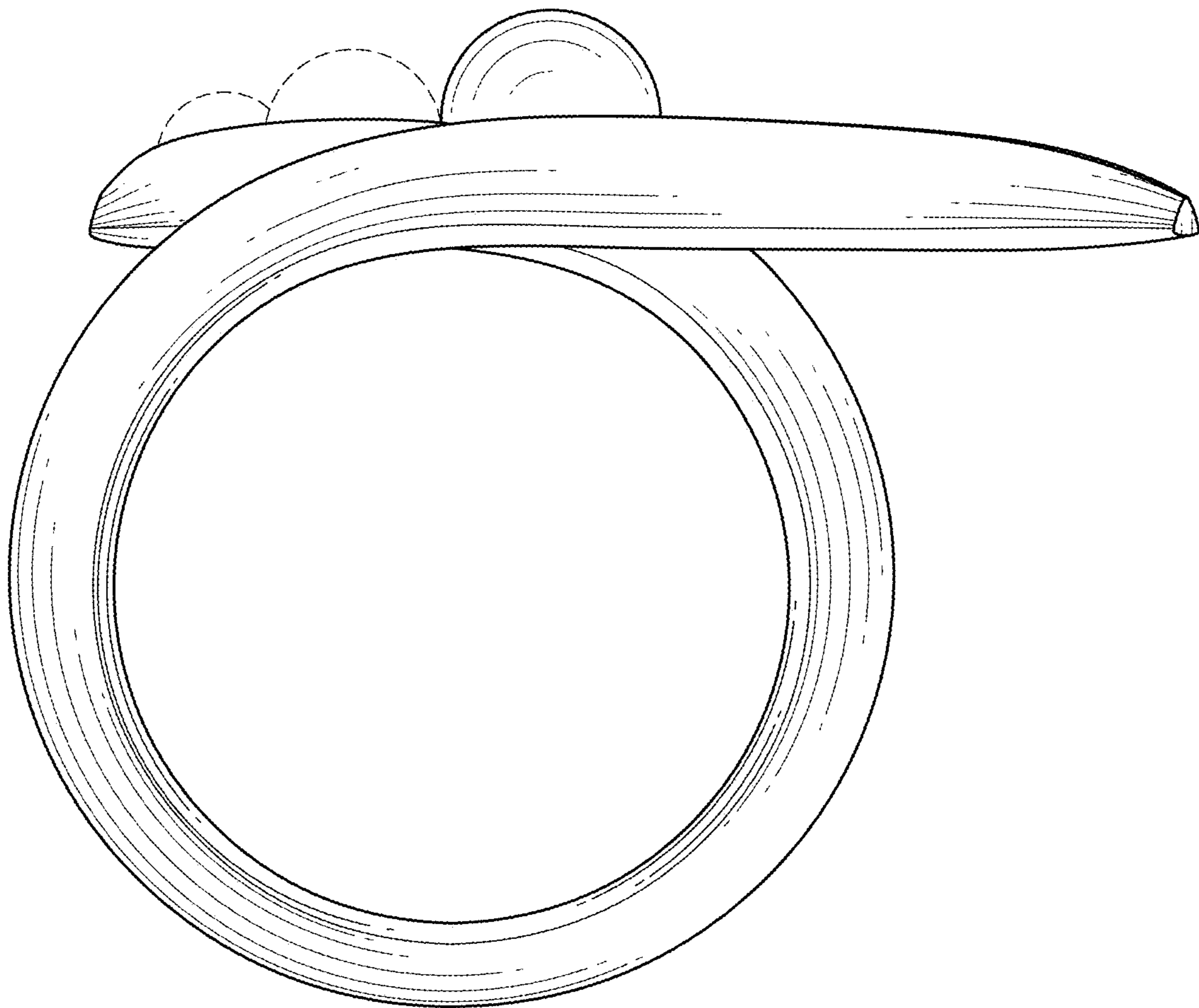


FIG. 3

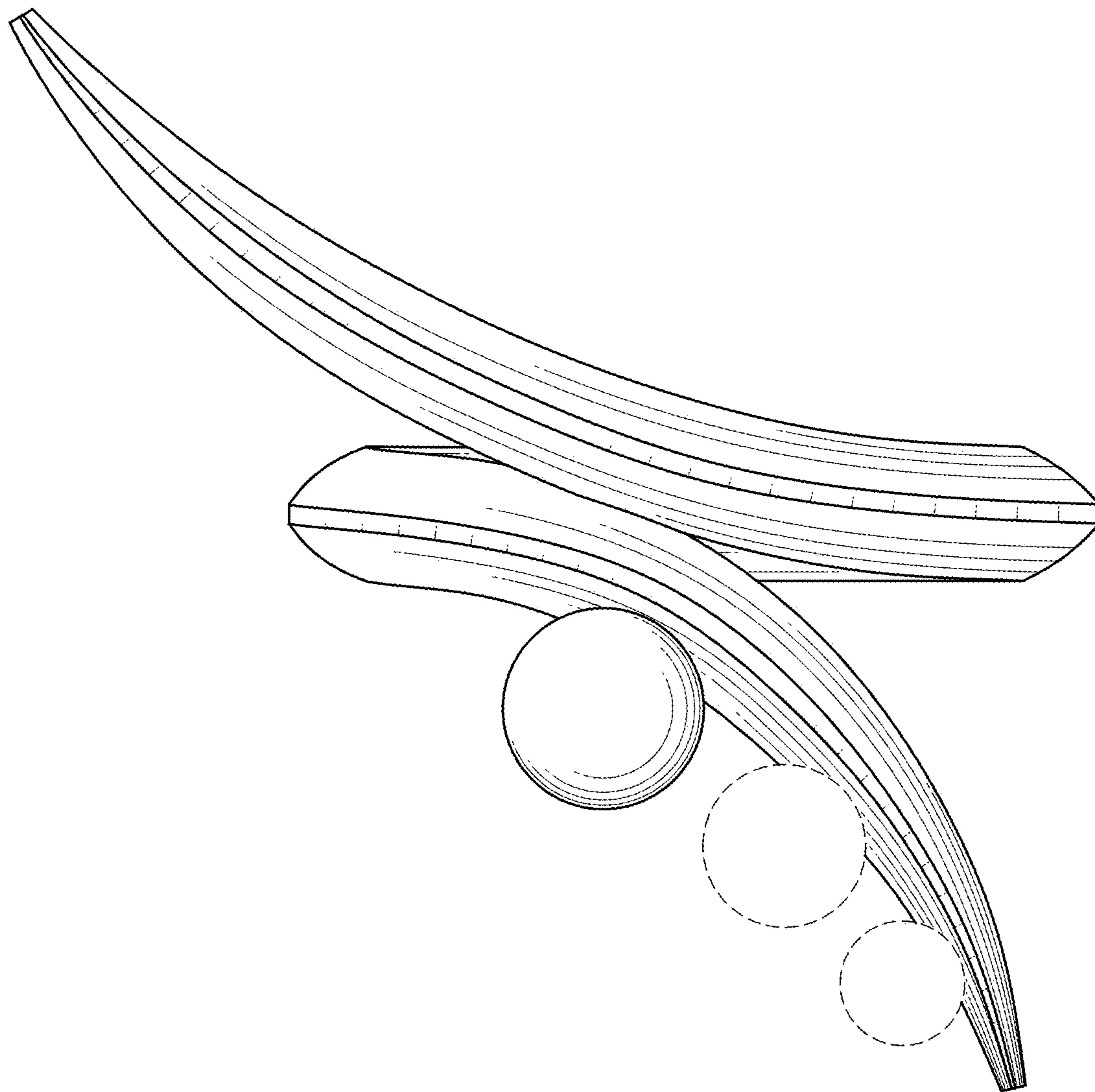


FIG. 4

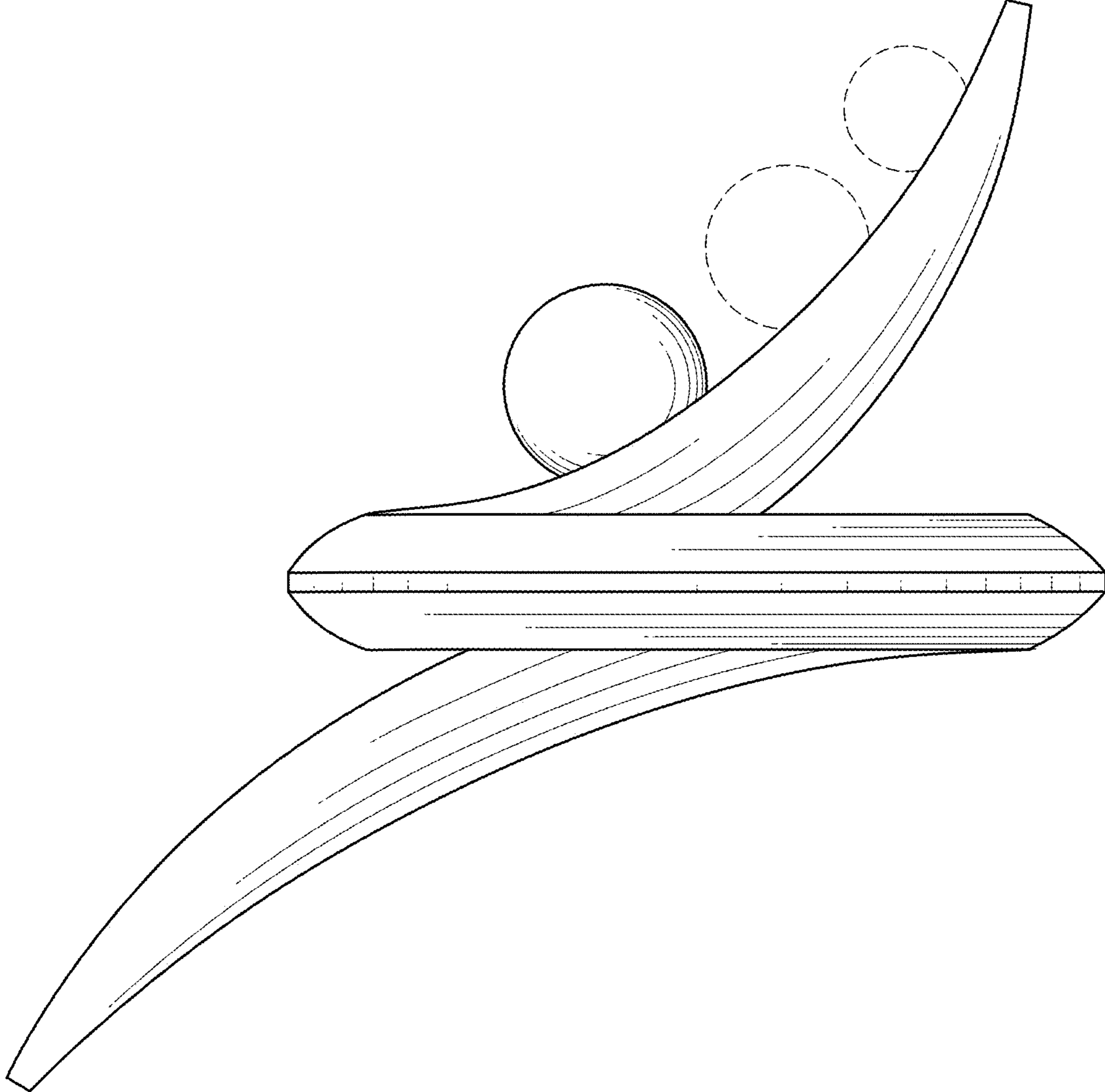


FIG. 5

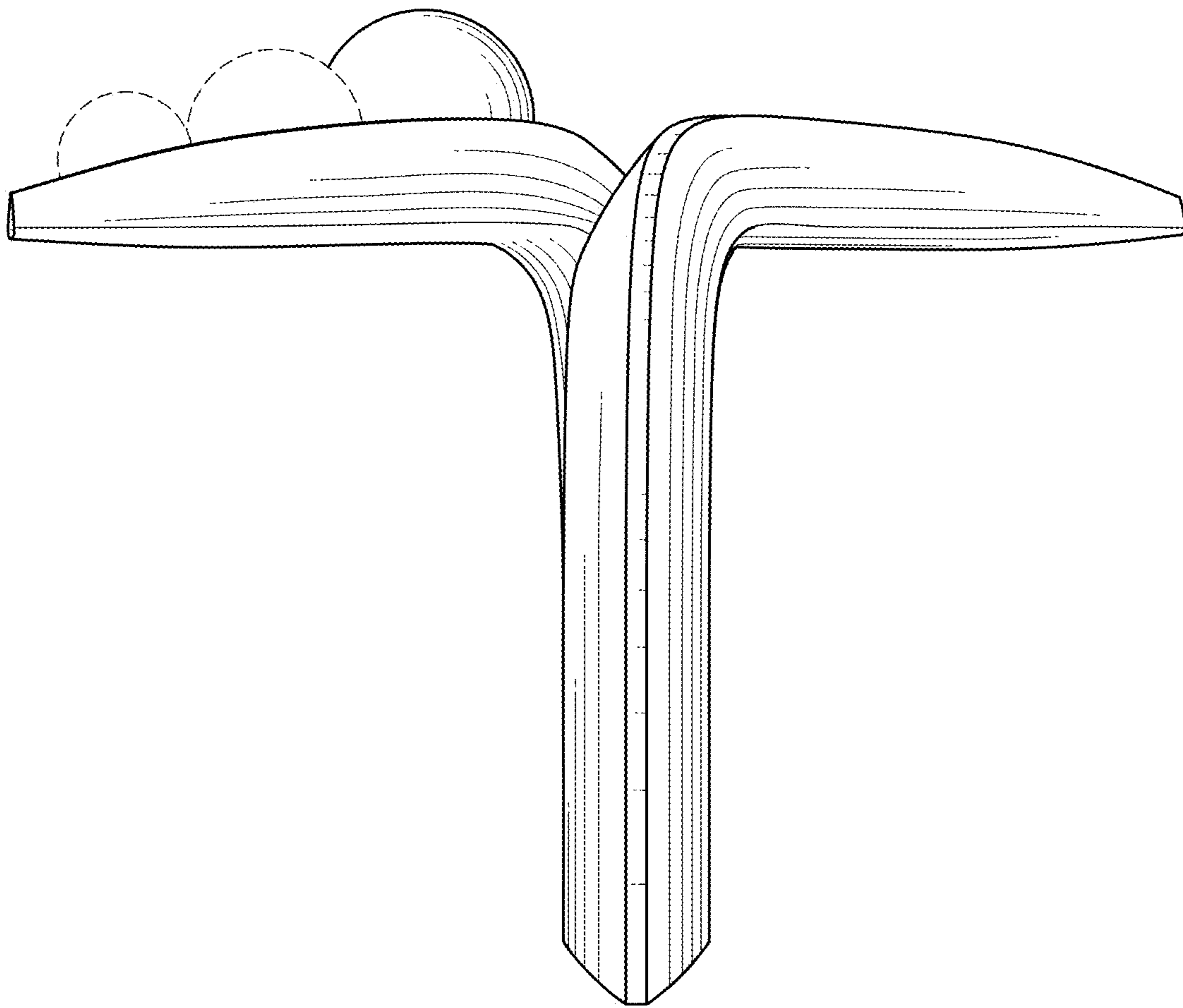


FIG. 6

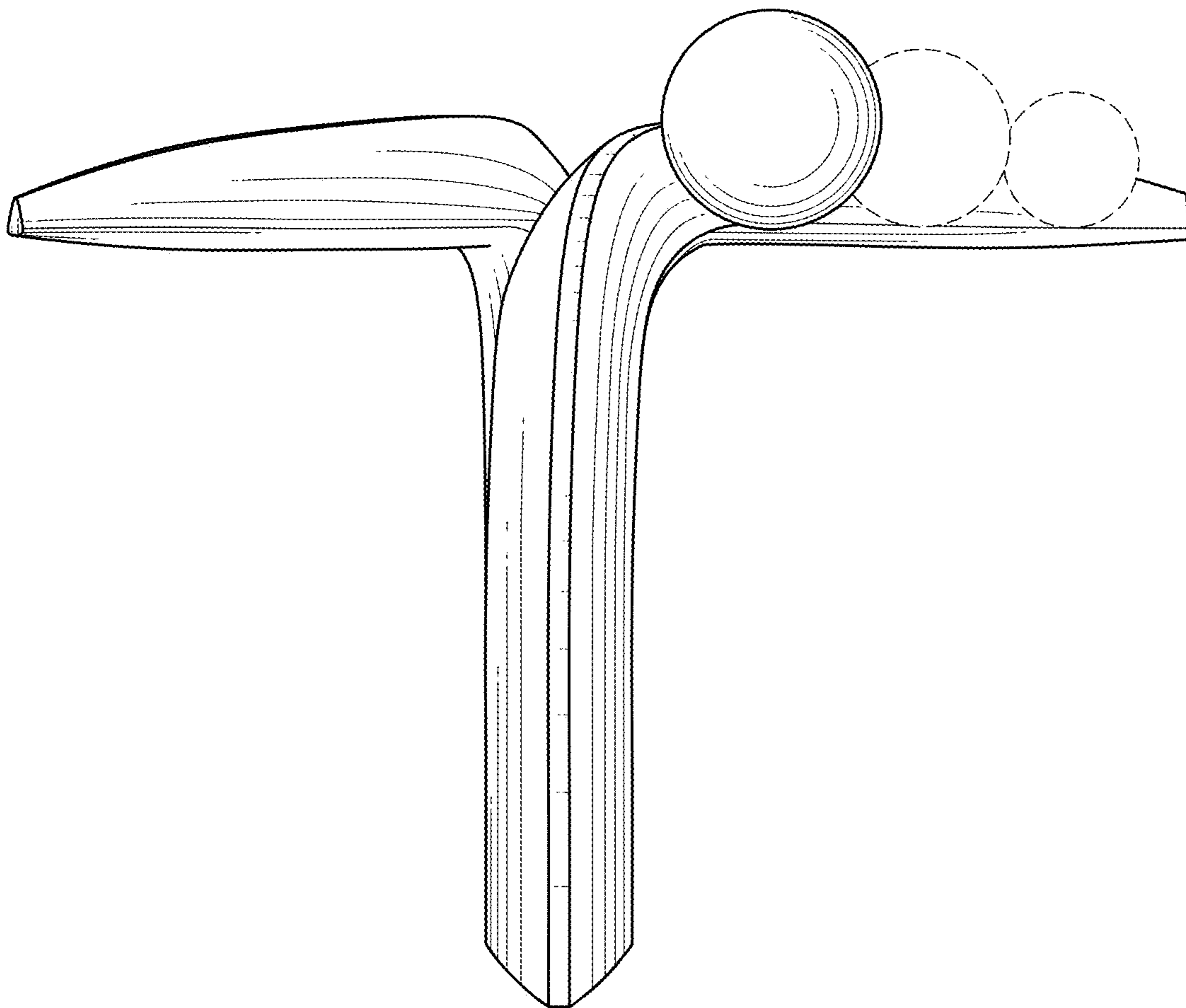


FIG. 7