



US00D878948S

(12) **United States Design Patent**
Ke

(10) **Patent No.:** **US D878,948 S**
(45) **Date of Patent:** **** Mar. 24, 2020**

(54) **BICYCLE BELL**

(71) Applicant: **Shenzhen Shiguangshuniu E-commerce Co., Ltd.**, Shznzhen (CN)

(72) Inventor: **Changcheng Ke**, Shenzhen (CN)

(**) Term: **15 Years**

(21) Appl. No.: **29/708,686**

(22) Filed: **Oct. 9, 2019**

(51) **LOC (12) Cl.** **10-05**

(52) **U.S. Cl.**
USPC **D10/118**

(58) **Field of Classification Search**
USPC D10/118
CPC G10K 1/072; G10K 1/10
See application file for complete search history.

(56) **References Cited**

U.S. PATENT DOCUMENTS

D360,159 S *	7/1995	Moore	D10/116.1
D567,693 S *	4/2008	Ichimura	D10/116.1
9,734,813 B2 *	8/2017	Lacy	G10K 1/10
D861,527 S	10/2019	Xie		
2006/0096520 A1 *	5/2006	Ichimura	G10K 1/072 116/164

OTHER PUBLICATIONS

Newlight 66—Amazon.com product page (Year: 2020).*
Sportout Copper Allow Bike Bell—Amazon product page (Year: 2020).*
Crane Bike Bell—Amazon product page (Year: 2020).*
Spurcycle Bell—web page (Year: 2020).*

* cited by examiner

Primary Examiner — George D. Kirschbaum
(74) *Attorney, Agent, or Firm* — Jie Yang; ZANIP

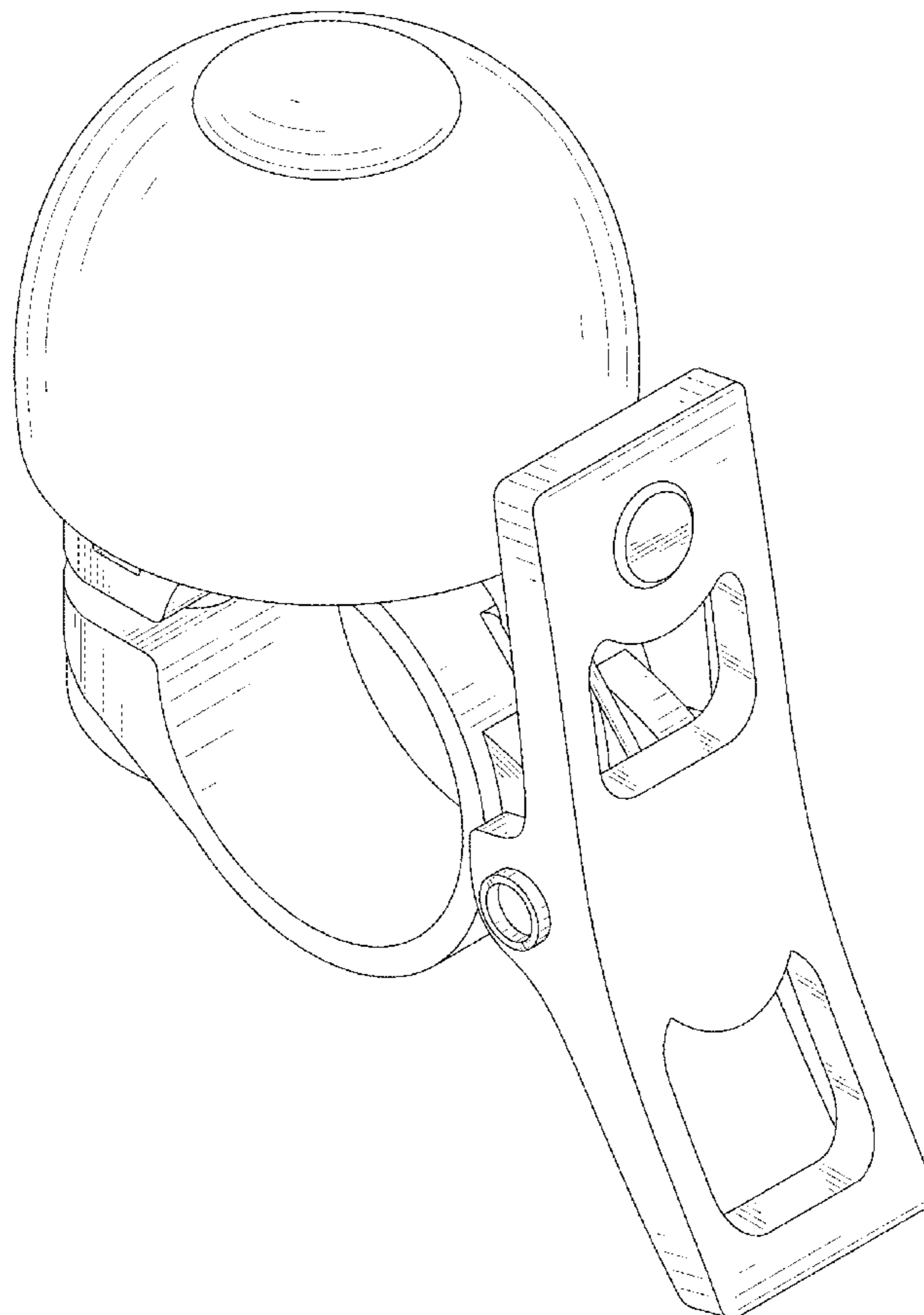
(57) **CLAIM**

The ornamental design for a bicycle bell, as shown and described.

DESCRIPTION

FIG. 1 is a front and top perspective view of a bicycle bell, showing my new design;
FIG. 2 is a rear and bottom perspective view thereof;
FIG. 3 is a front elevational view thereof;
FIG. 4 is a rear elevational view thereof;
FIG. 5 is a left side elevational view thereof;
FIG. 6 is a right side elevational view thereof;
FIG. 7 is a top plan view thereof; and,
FIG. 8 is a bottom plan view thereof.
The broken lines in the figures illustrate portions of the bicycle bell that form no part of the claimed design.

1 Claim, 8 Drawing Sheets



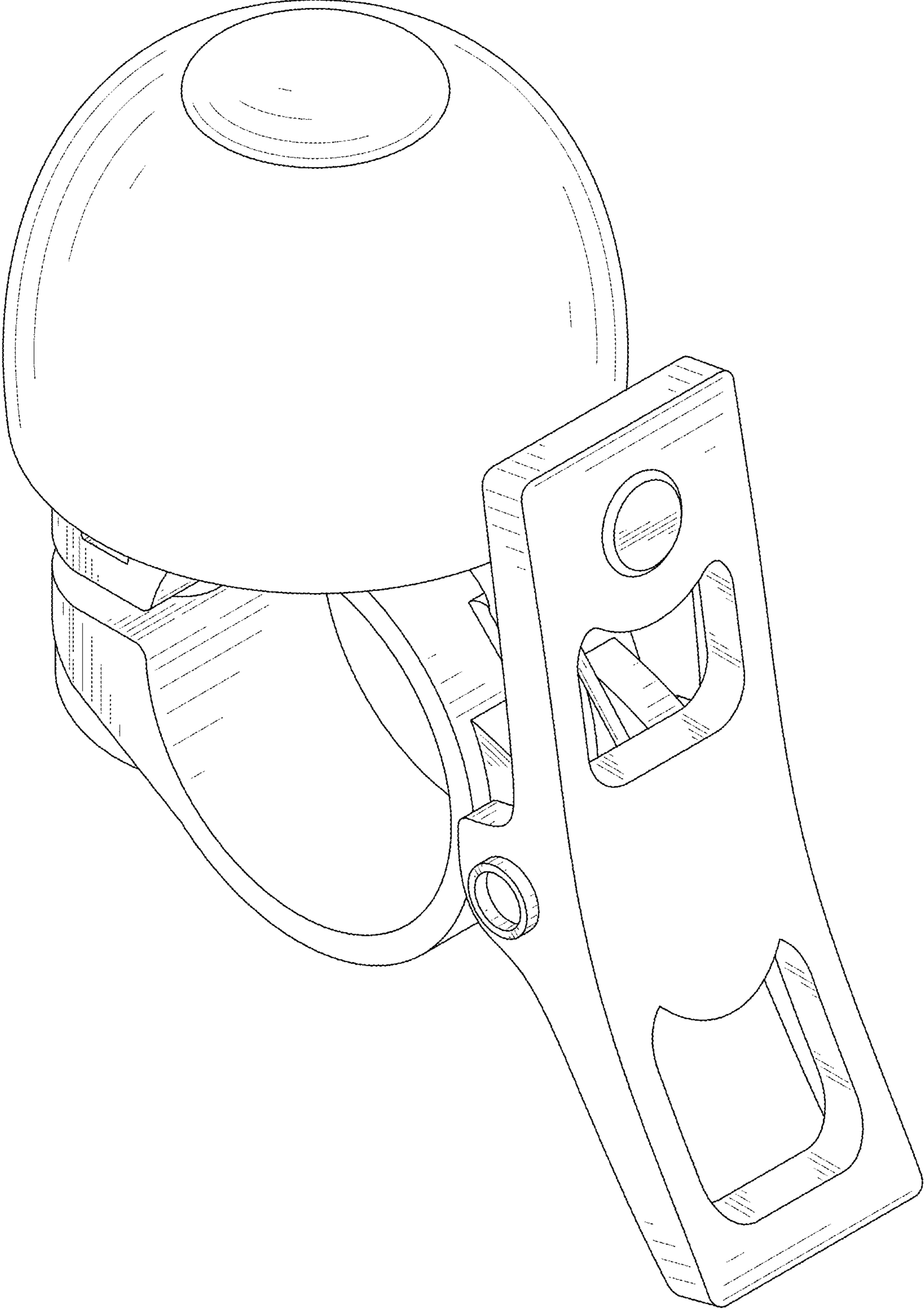


FIG. 1

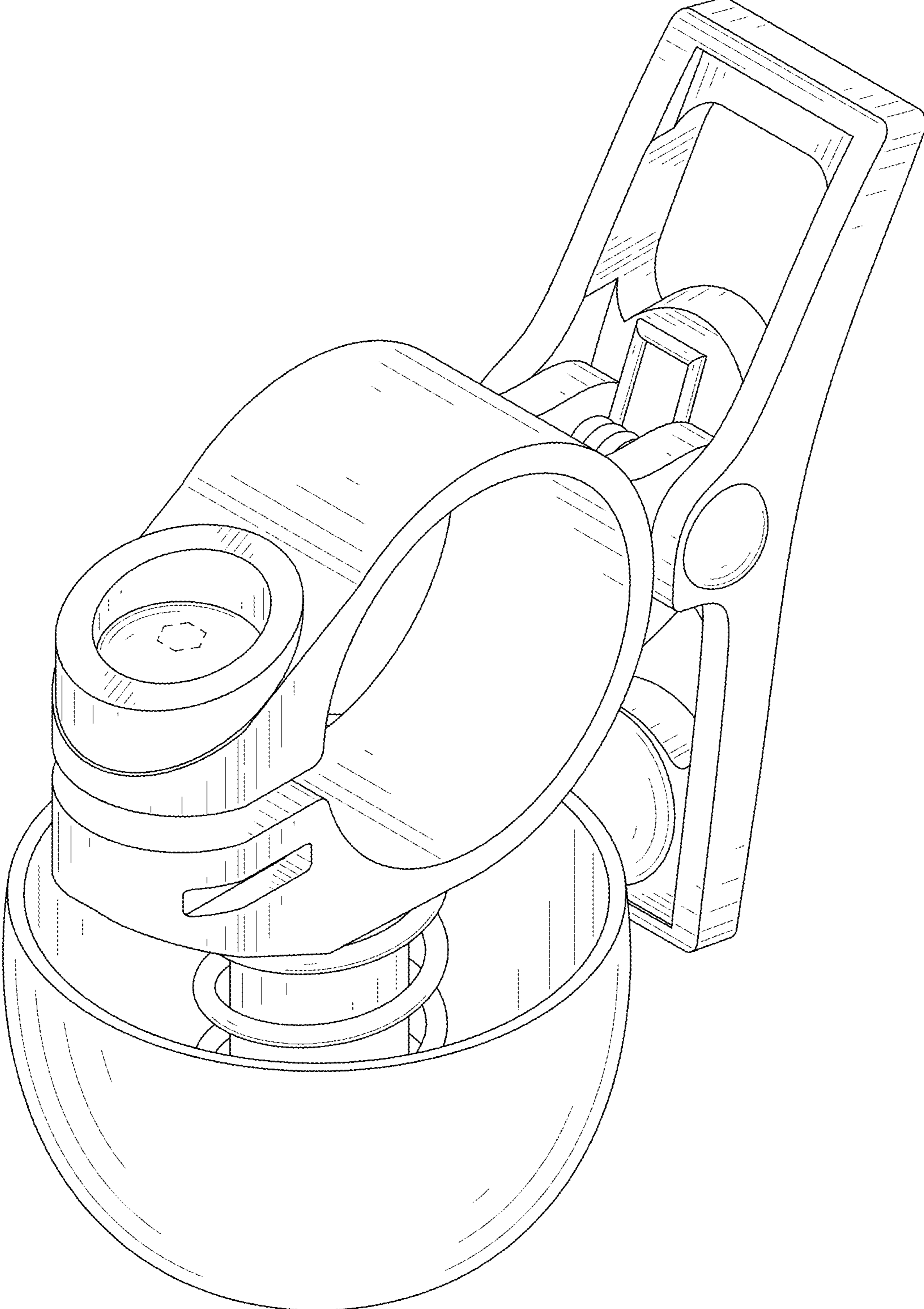


FIG. 2

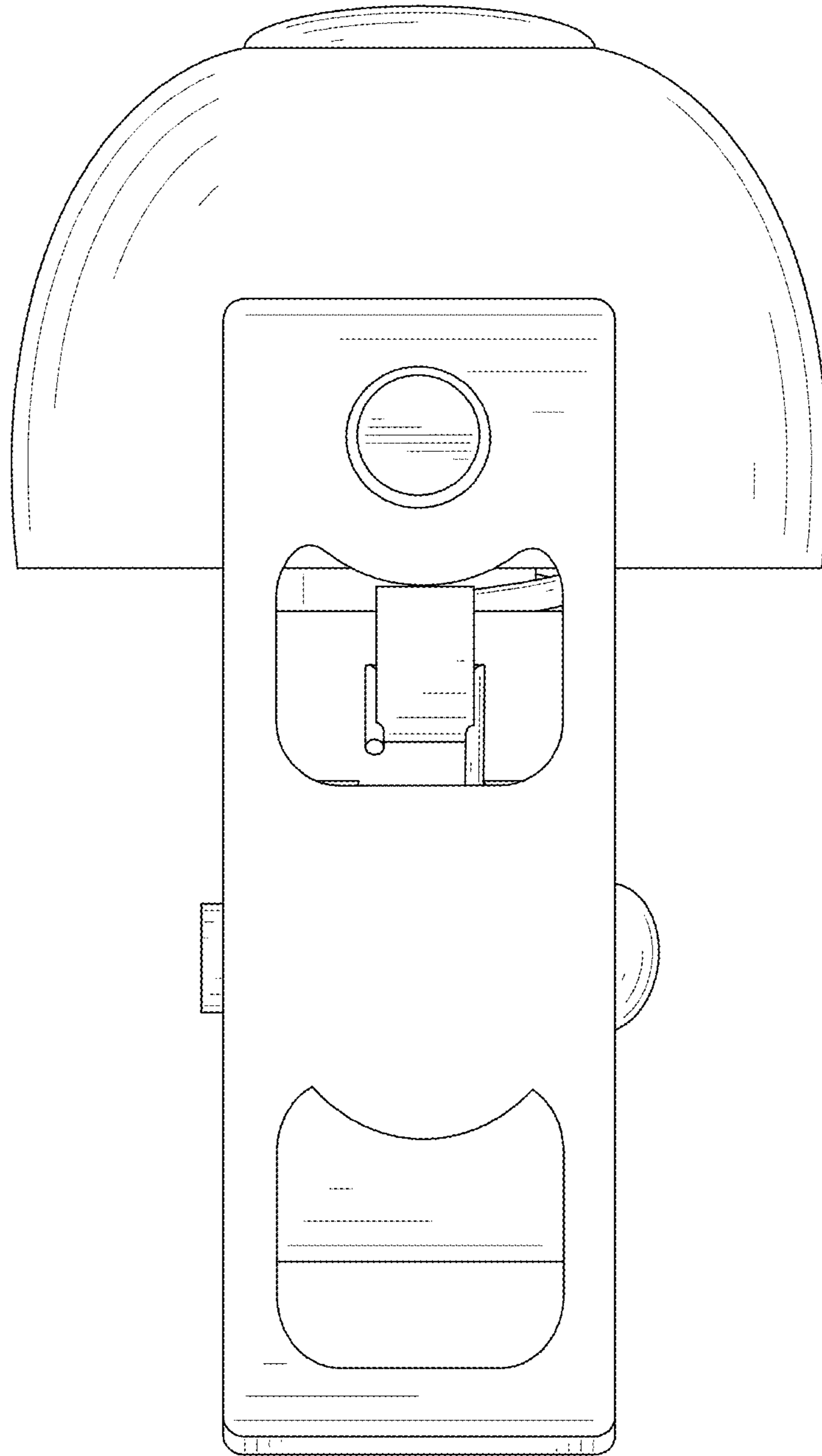


FIG. 3

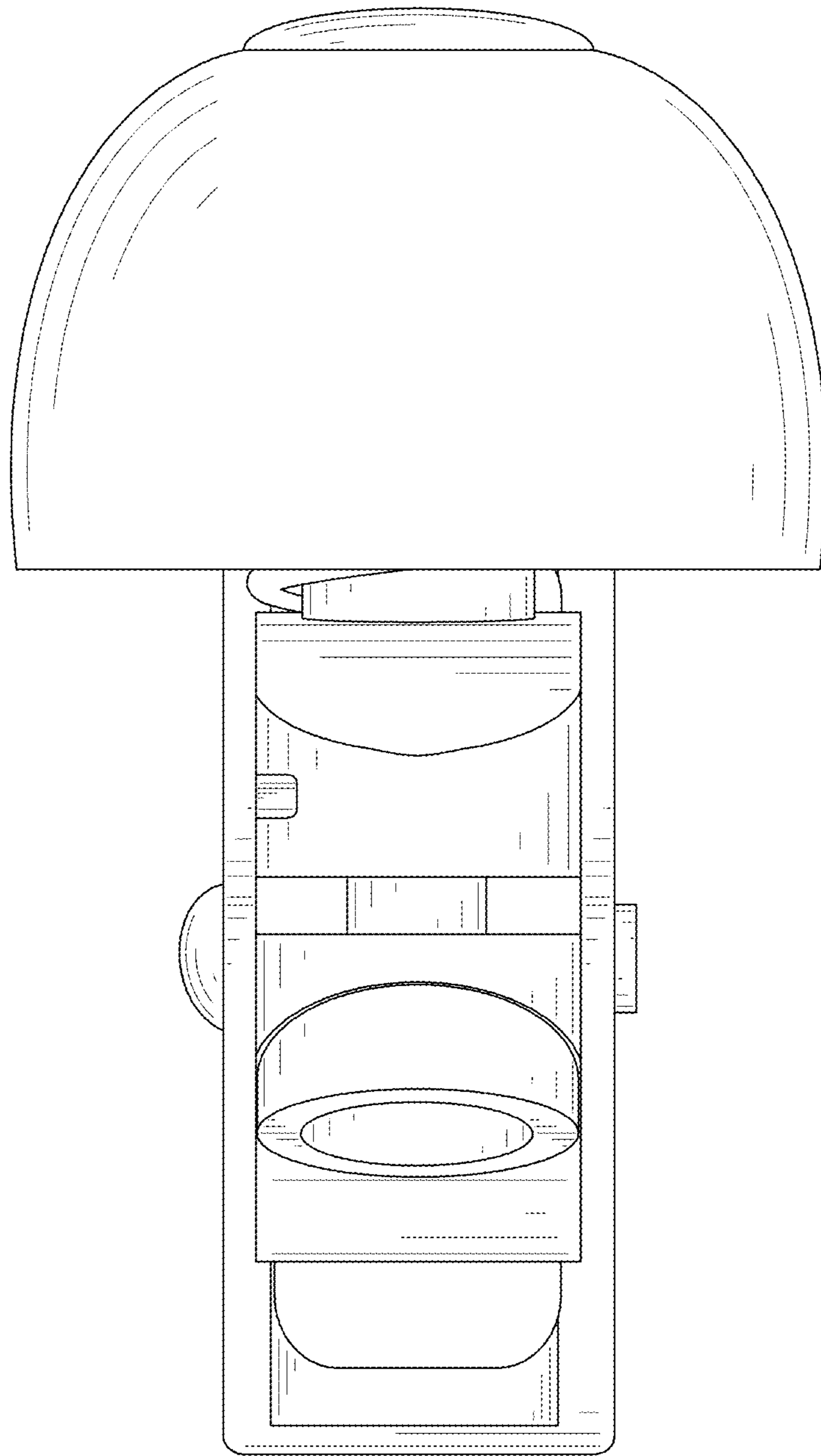


FIG. 4

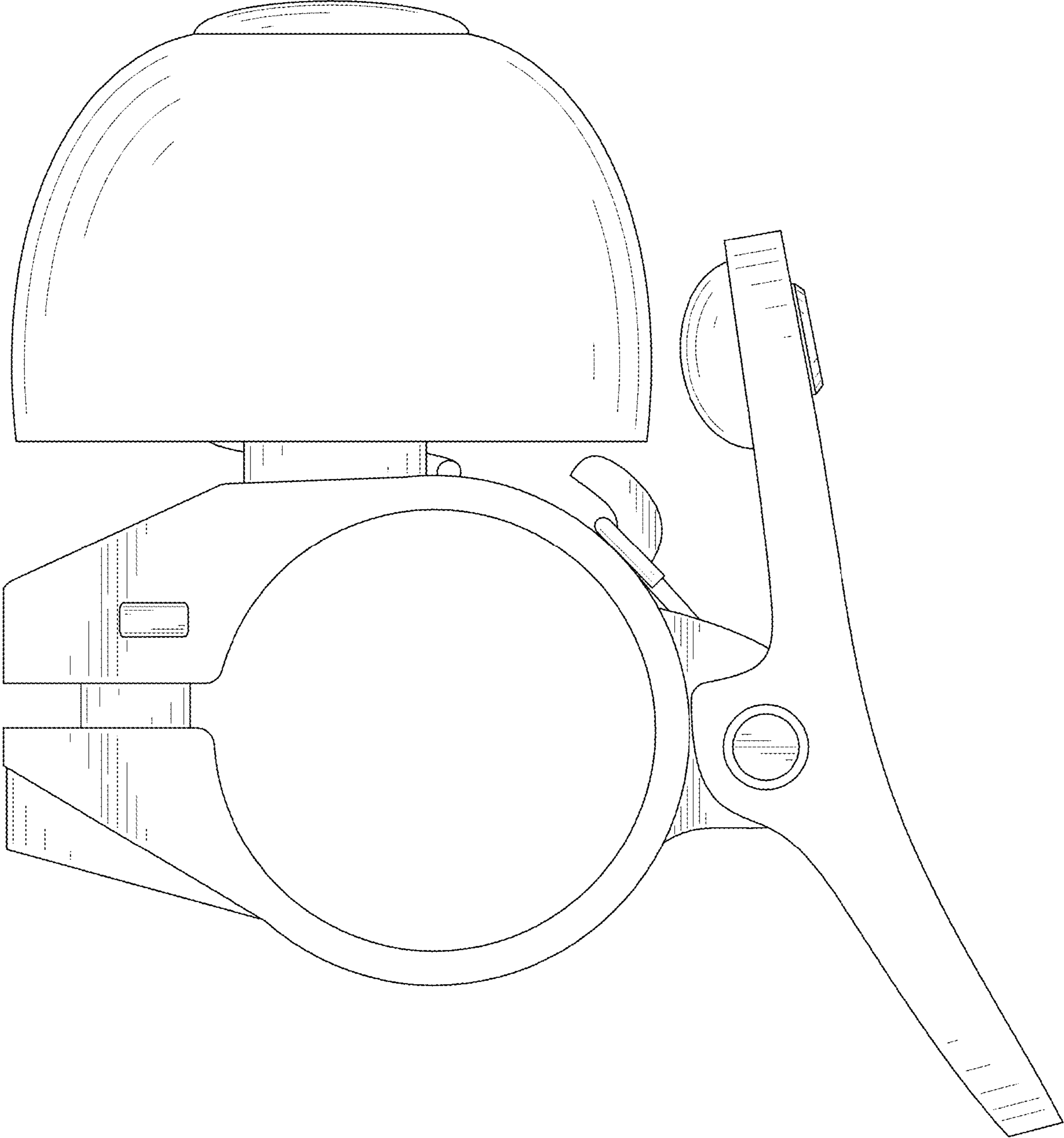


FIG. 5

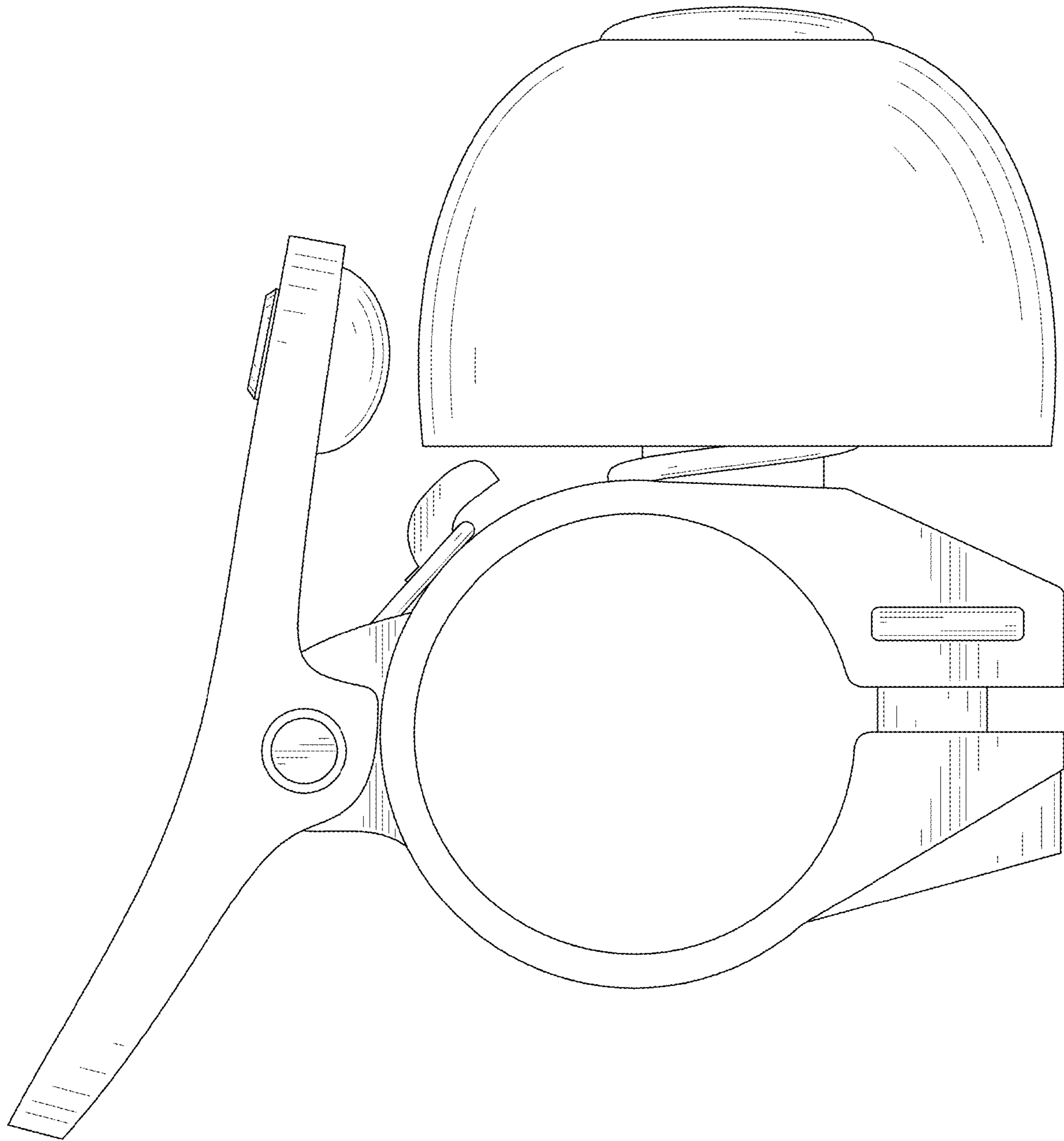


FIG. 6

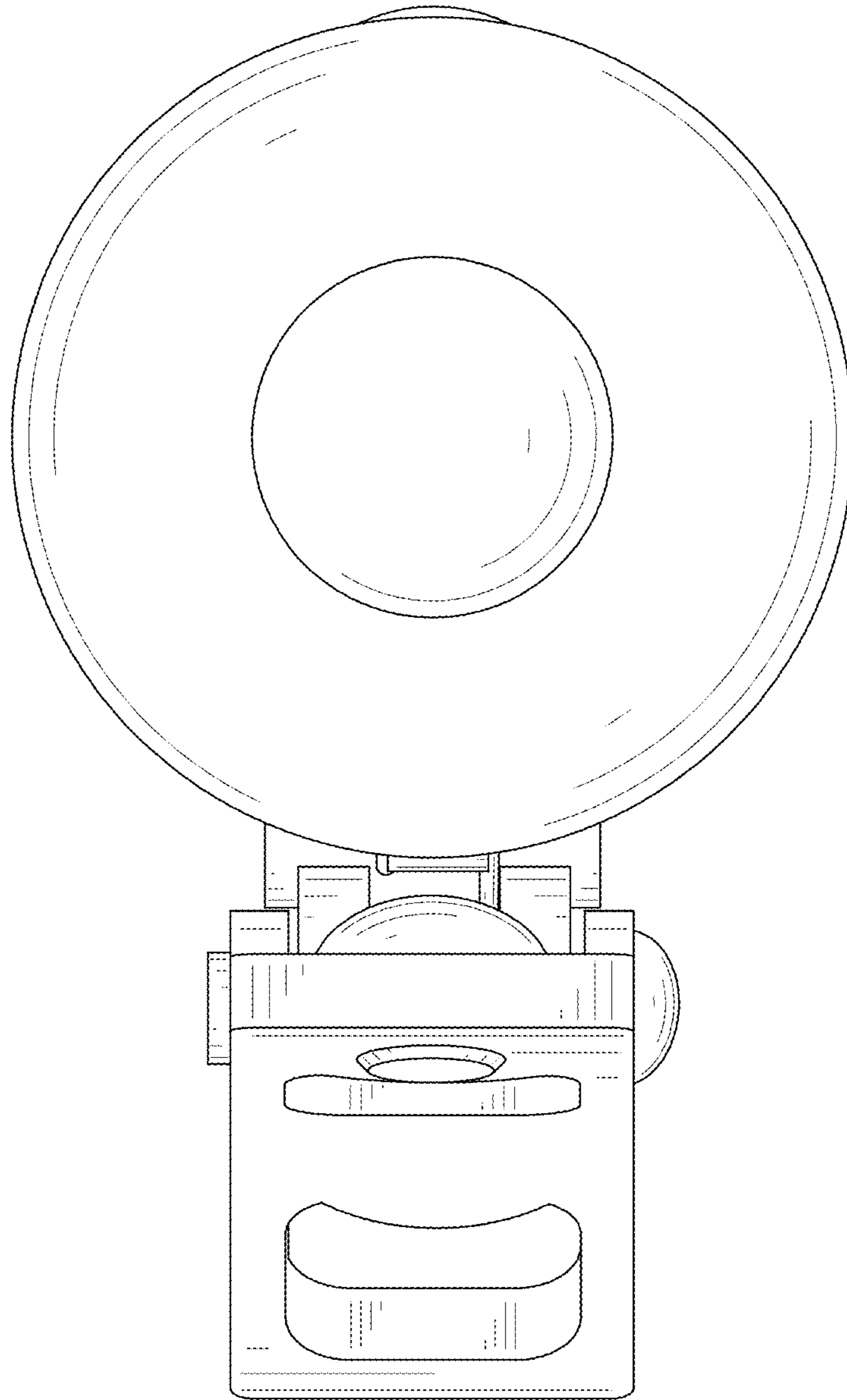


FIG. 7

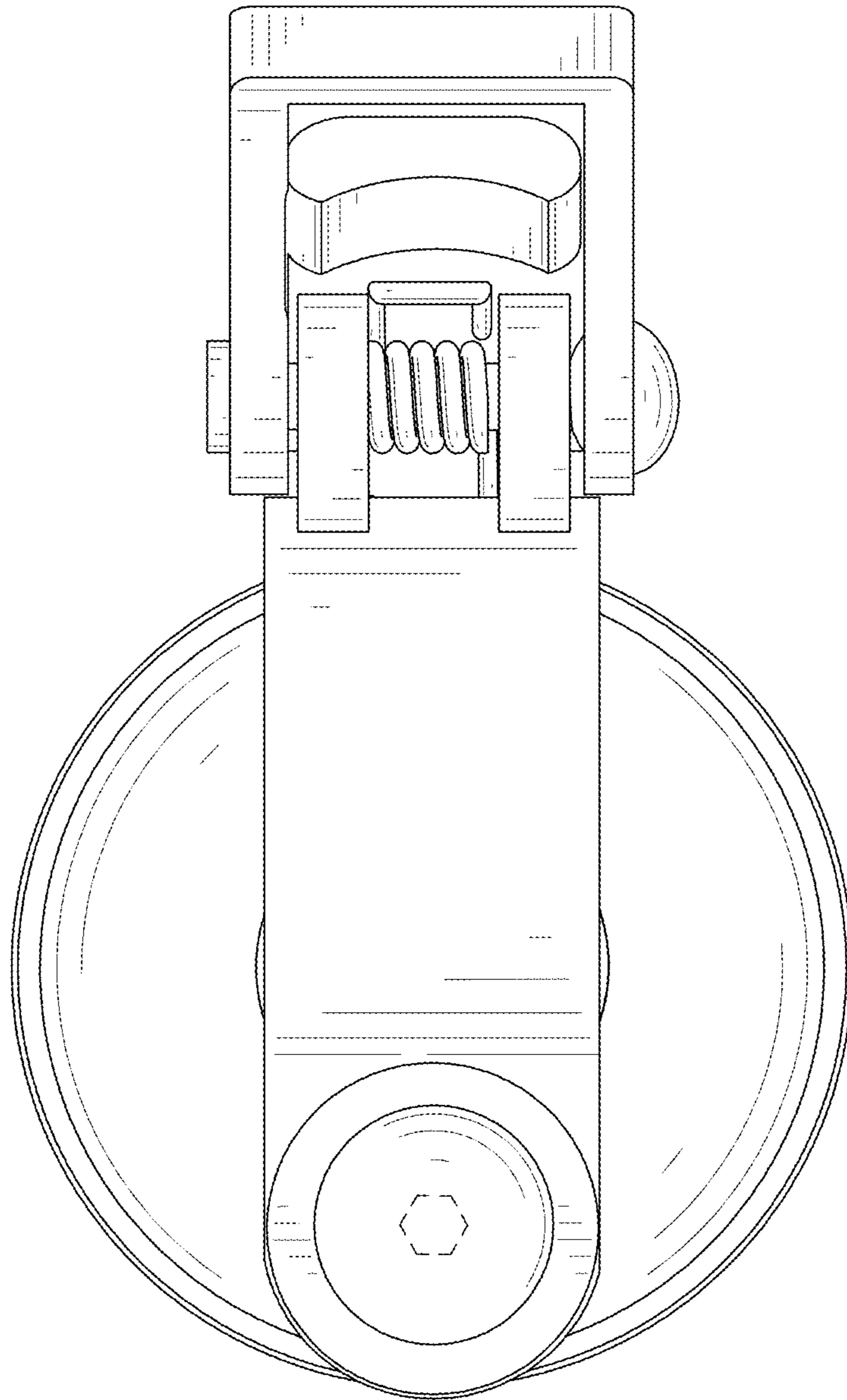


FIG. 8