



US00D878946S

(12) **United States Design Patent**  
**Yang**

(10) **Patent No.:** **US D878,946 S**  
(45) **Date of Patent:** **\*\* Mar. 24, 2020**

(54) **ANTI-THEFT TAG FOR ELECTRONIC  
DEVICE CHARGING PORT**

(71) Applicant: **Xiao Hui Yang**, Saratoga, CA (US)

(72) Inventor: **Xiao Hui Yang**, Saratoga, CA (US)

(\*\*) Term: **15 Years**

(21) Appl. No.: **29/648,399**

(22) Filed: **May 21, 2018**

**Related U.S. Application Data**

(63) Continuation-in-part of application No. 15/408,368,  
filed on Jan. 17, 2017, now Pat. No. 9,997,037.

(51) **LOC (12) Cl.** ..... **10-05**

(52) **U.S. Cl.**  
USPC ..... **D10/106.9**

(58) **Field of Classification Search**  
USPC ..... D10/106.9  
See application file for complete search history.

(56) **References Cited**

**U.S. PATENT DOCUMENTS**

D649,486	S	*	11/2011	Daniels	.....	D10/106.9
8,269,631	B2		9/2012	Yang		
8,373,565	B2		2/2013	Yang		
8,421,633	B2		4/2013	Yang		
8,452,868	B2		5/2013	Shafer et al.		
D697,825	S		1/2014	Yang		
8,890,694	B2		11/2014	Yang		
D727,191	S		4/2015	Yang		
D732,412	S	*	6/2015	Sayegh	.....	D10/106.9
D742,773	S		11/2015	Yang		

9,245,432	B2		1/2016	Yang		
9,311,797	B2		4/2016	Yang		
9,443,404	B2		9/2016	Grant et al.		
9,521,227	B2		12/2016	Yang		
D804,345	S	*	12/2017	Piccoli	.....	D10/106.9
2017/0206762	A1		7/2017	Yang		

\* cited by examiner

*Primary Examiner* — George D. Kirschbaum

(74) *Attorney, Agent, or Firm* — Brian W. Foxworthy;  
Robert R. Waters; Waters Law Group, PLLC

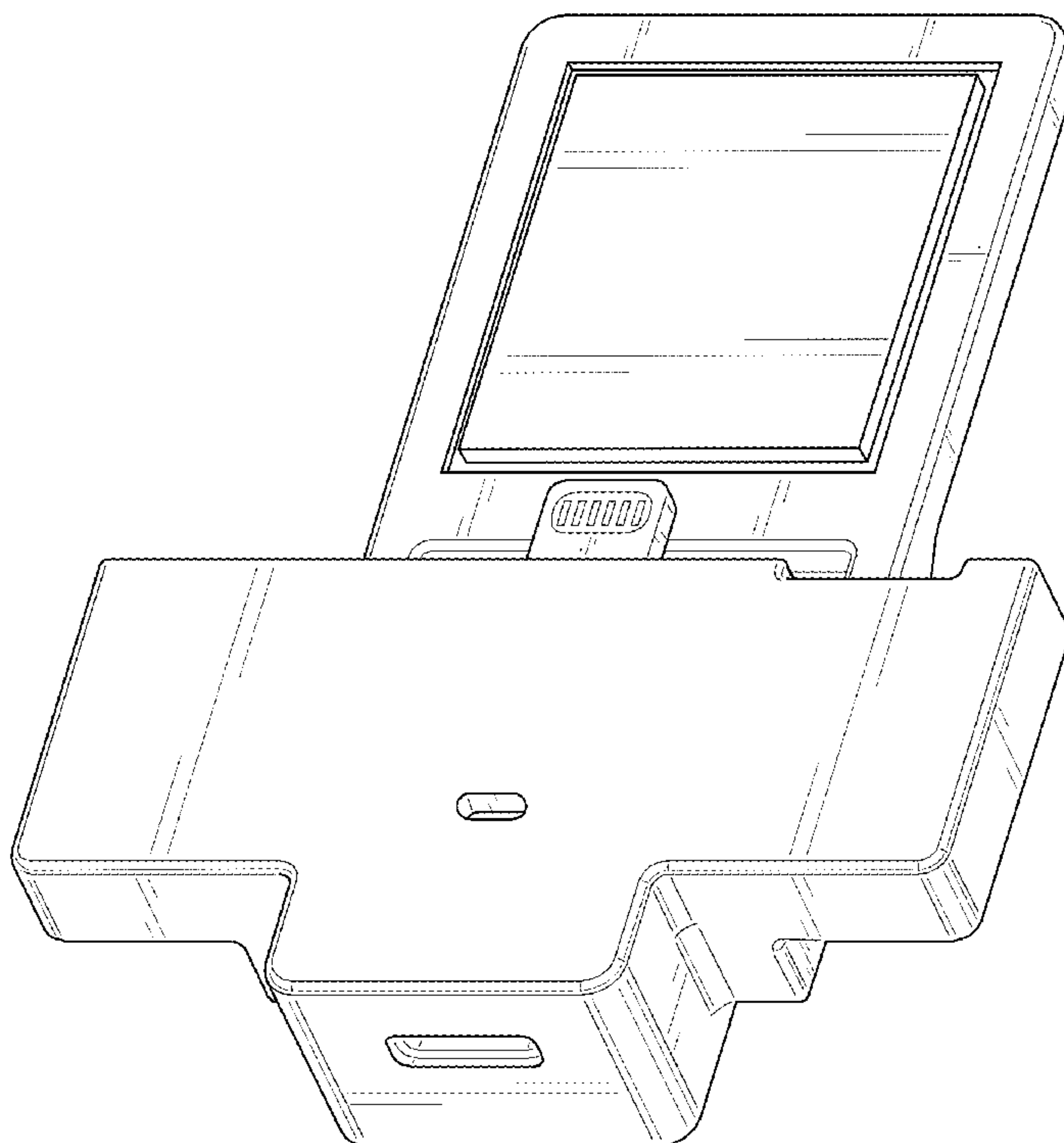
(57) **CLAIM**

What is claimed is the ornamental design for an anti-theft tag  
for electronic device charging port, as shown and described.

**DESCRIPTION**

FIG. 1 is a bottom perspective view of my new design for an anti-theft tag for electronic device charging port.  
 FIG. 2 is a top perspective of my new design for an anti-theft tag for electronic device charging port.  
 FIG. 3 is a front view of my new design for an anti-theft tag for electronic device charging port.  
 FIG. 4 is a first side view of my new design for an anti-theft tag for electronic device charging port.  
 FIG. 5 is an opposite side view of my new design for an anti-theft tag for electronic device charging port.  
 FIG. 6 is a top view of my new design for an anti-theft tag for electronic device charging port.  
 FIG. 7 is a bottom view of my new design for an anti-theft tag for electronic device charging port; and,  
 FIG. 8 is back view of my new design for an anti-theft tag for electronic device charging port.

**1 Claim, 8 Drawing Sheets**



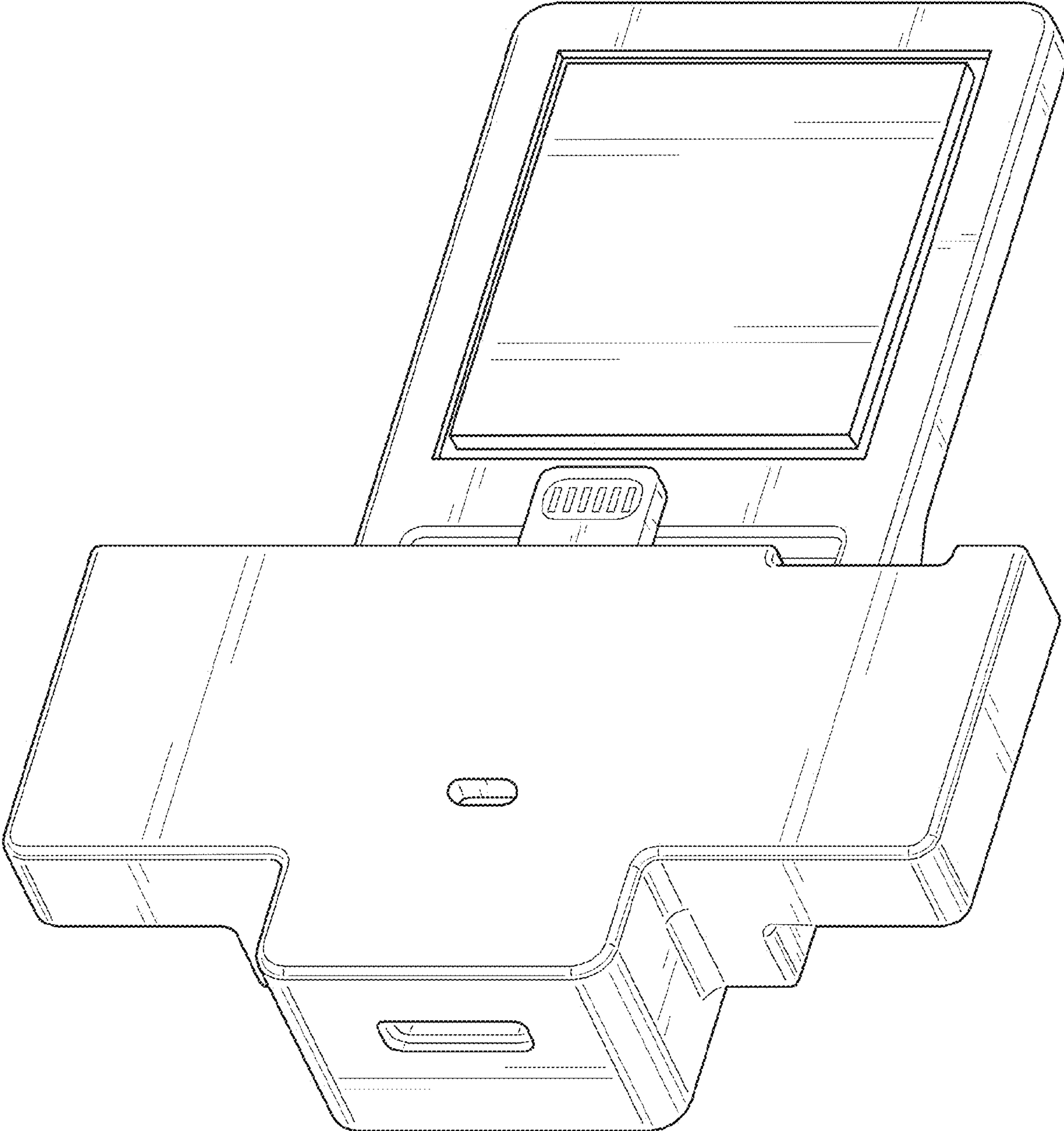


FIG. 1

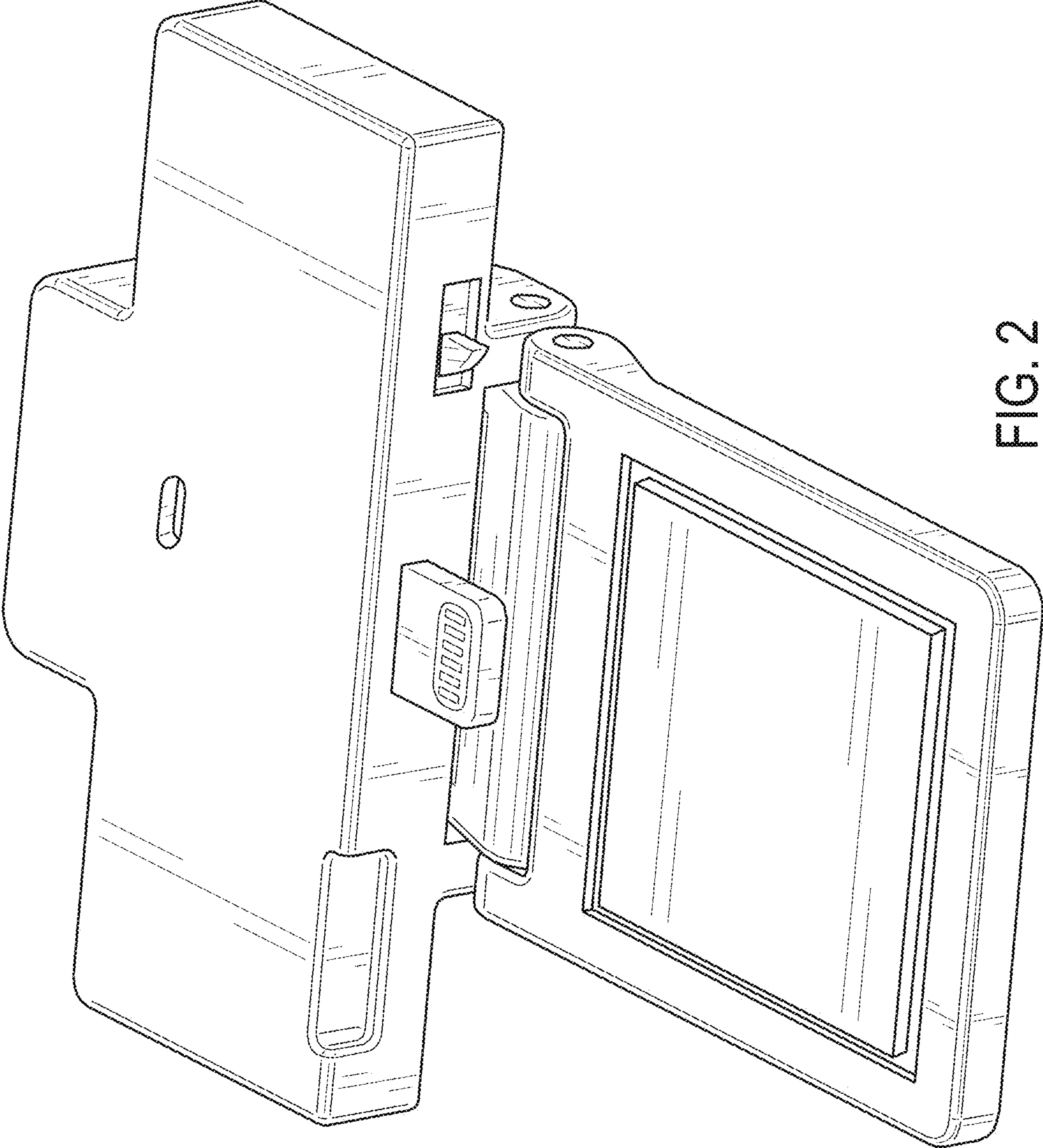


FIG. 2

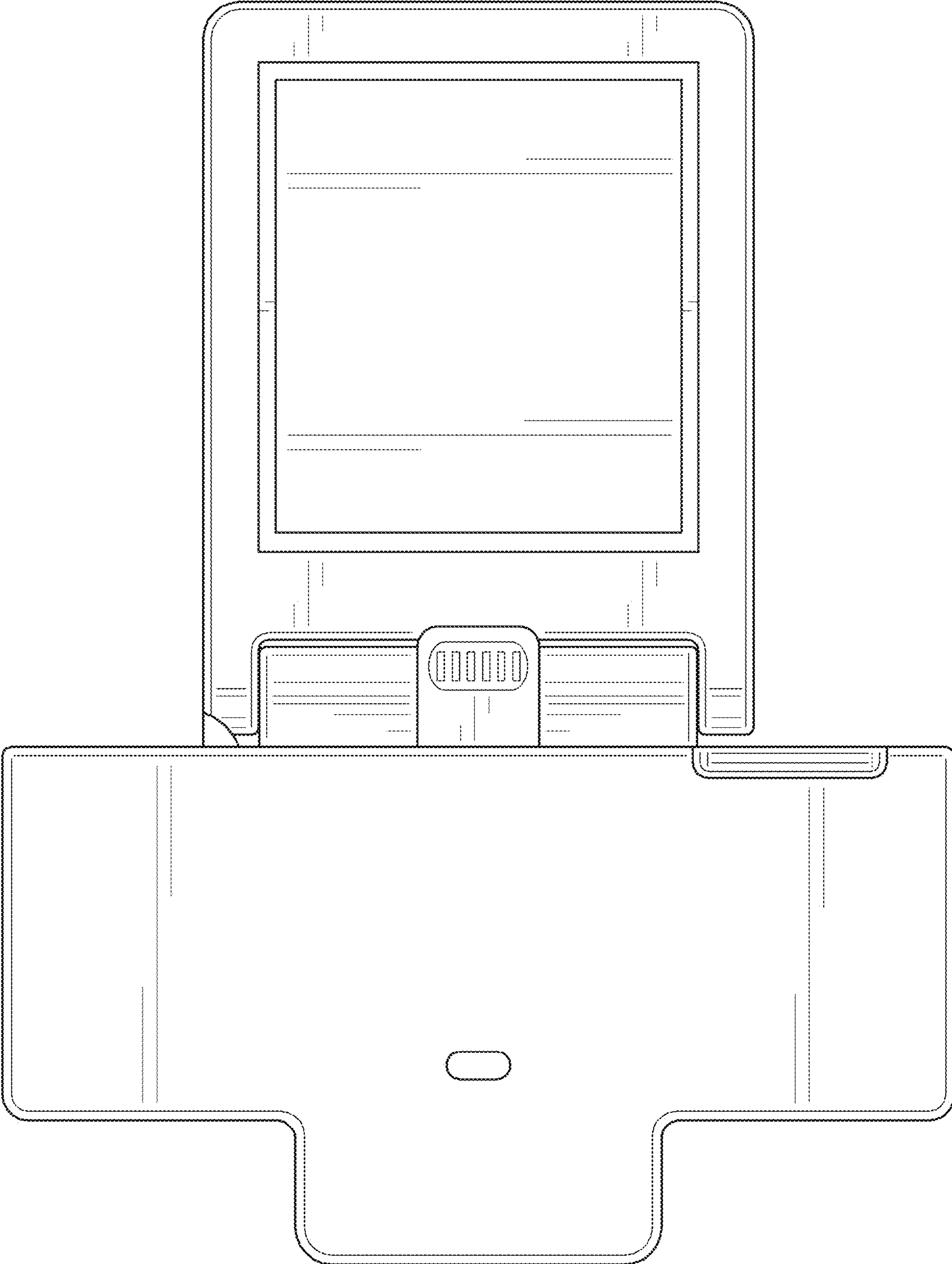


FIG. 3



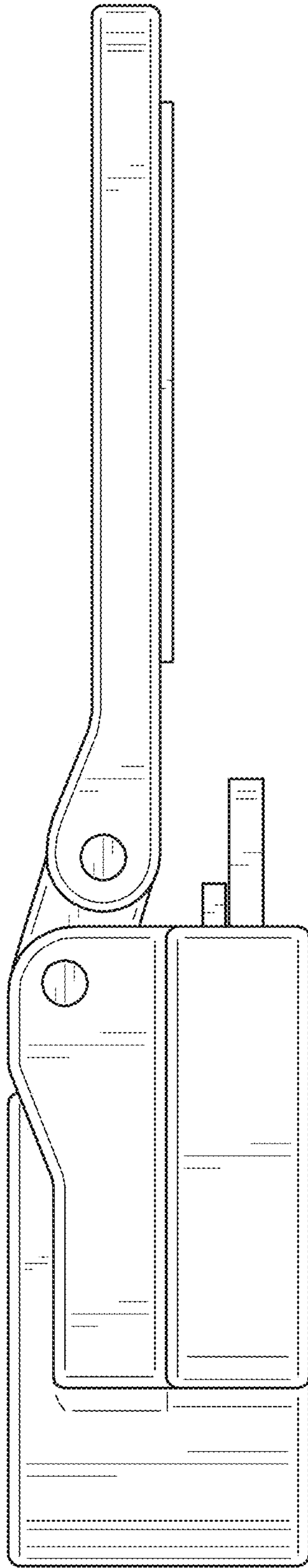


FIG. 4

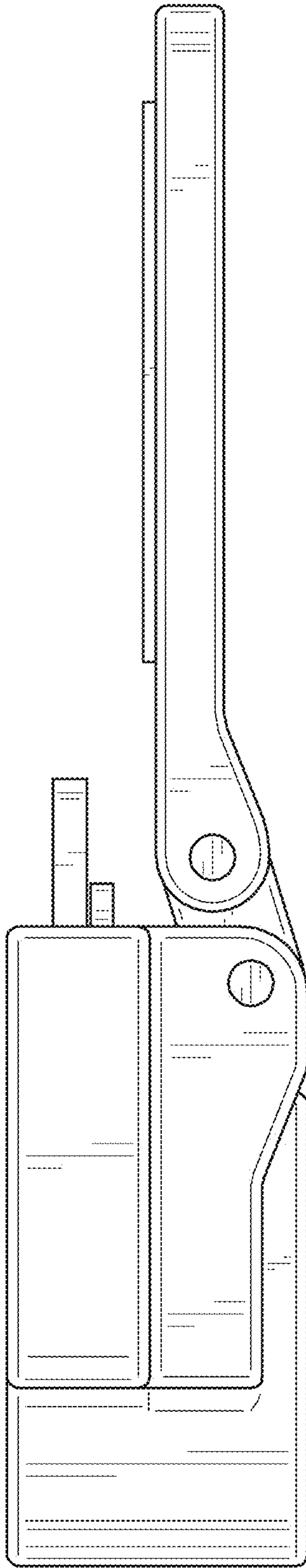


FIG. 5

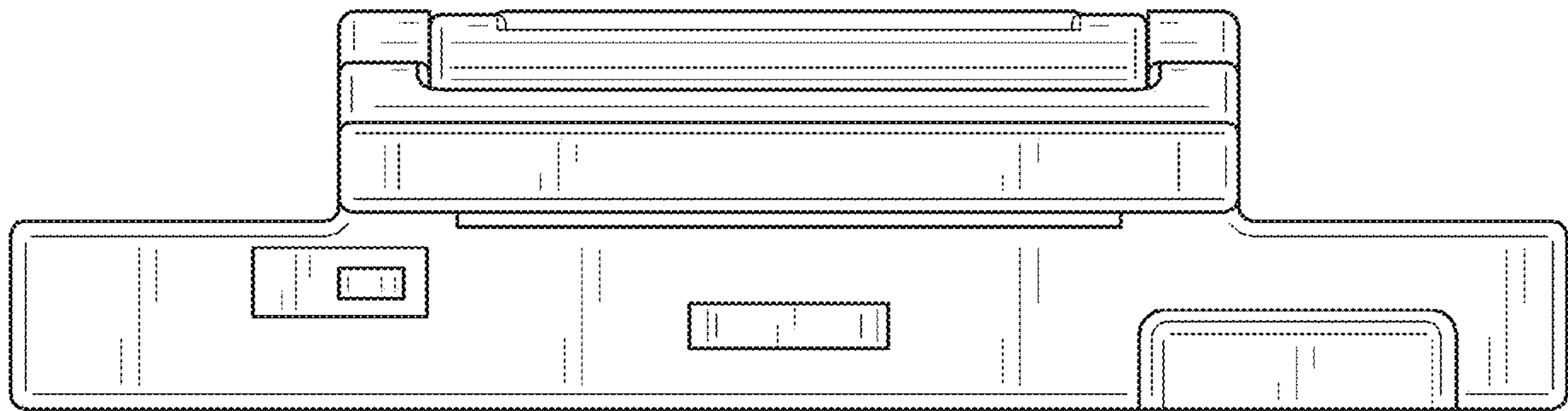


FIG. 6

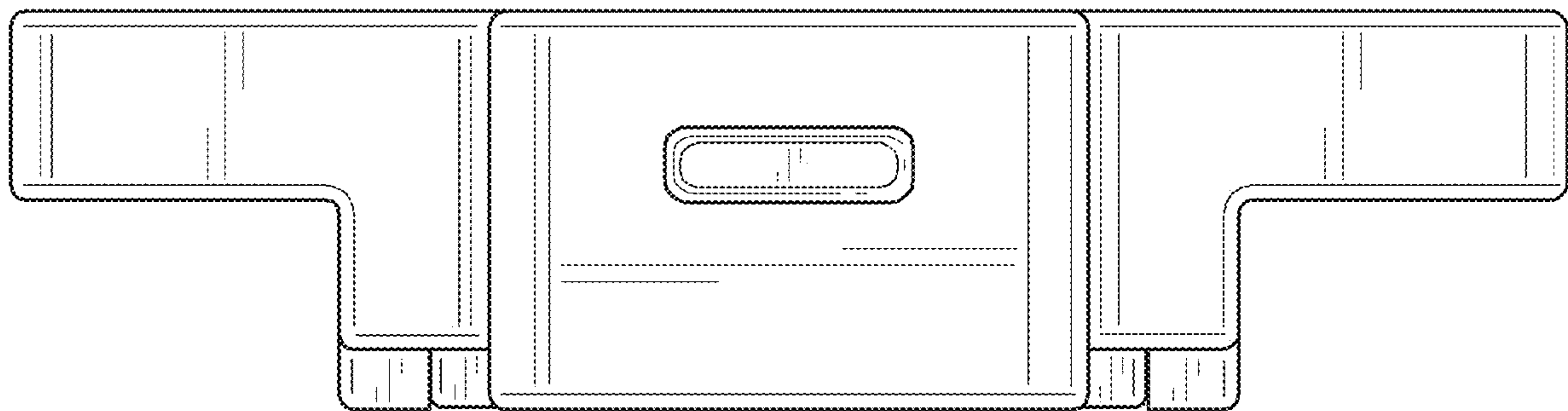


FIG. 7



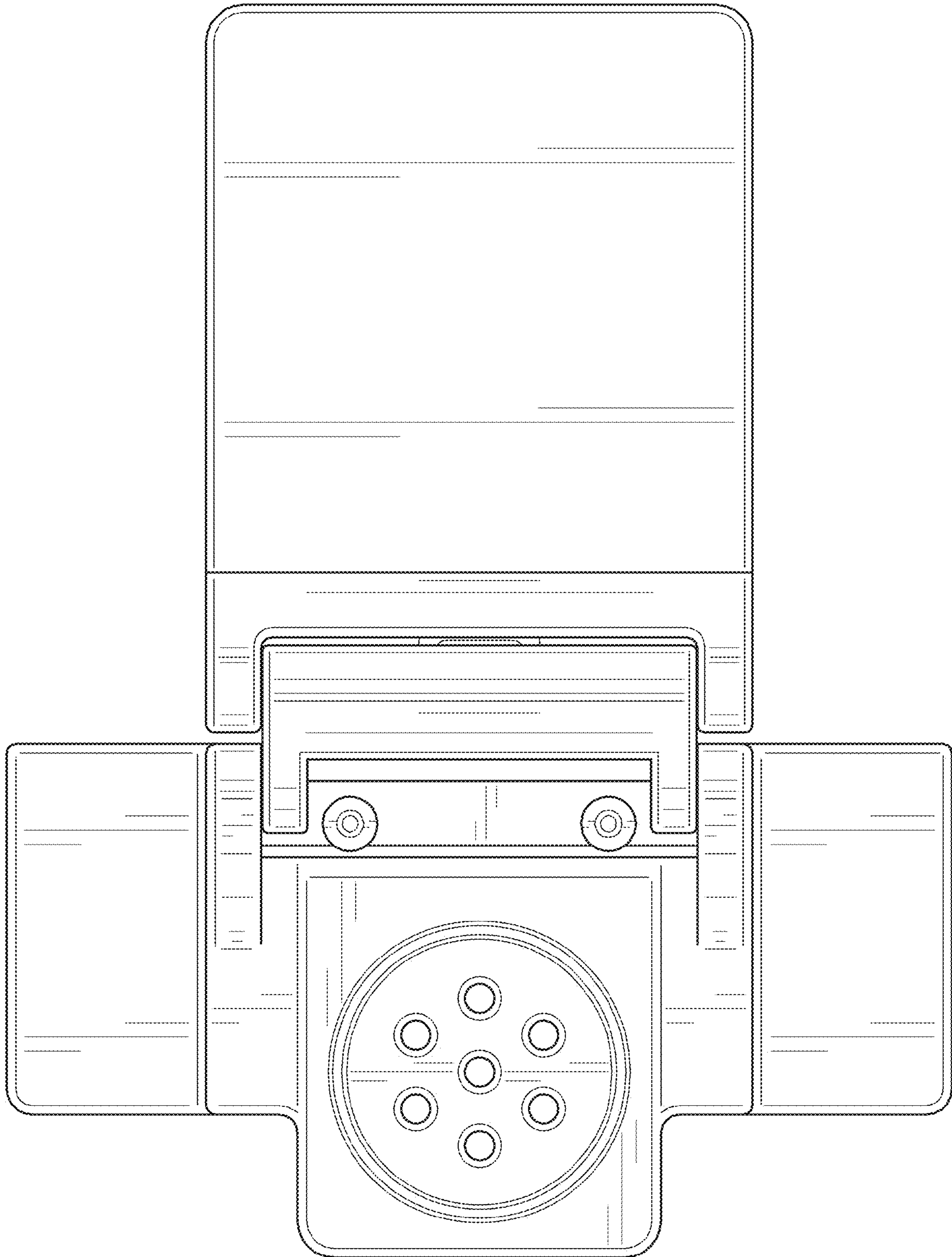


FIG. 8