



US00D878945S

(12) **United States Design Patent**  
**Fagnot**

(10) **Patent No.:** **US D878,945 S**

(45) **Date of Patent:** **\*\* Mar. 24, 2020**

- (54) **MOVEMENT SENSOR**
- (71) Applicant: **ESSITY HYGIENE AND HEALTH AKTIEBOLAG**, Gothenburg (SE)
- (72) Inventor: **Benjamin Fagnot**, Malmo (SE)
- (73) Assignee: **ESSITY HYGIENE AND HEALTH AKTIEBOLAG**, Gothenburg (SE)

D683,634 S	6/2013	Hayakawa et al.	
D693,248 S	11/2013	Anderssen et al.	
D693,249 S	11/2013	Anderssen et al.	
D775,853 S *	1/2017	Bing .....	D6/545
D778,185 S	2/2017	Ookawa et al.	
D780,473 S *	3/2017	Brownley .....	D6/515
D791,074 S *	7/2017	Kim .....	D13/107
D846,298 S *	4/2019	Harris .....	D6/515
2012/0085780 A1 *	4/2012	Landauer .....	A47K 5/12 222/52
2017/0100001 A1 *	4/2017	Tojek .....	B05B 15/62

(\*\*) Term: **15 Years**

(21) Appl. No.: **29/662,006**

(22) Filed: **Aug. 31, 2018**

(30) **Foreign Application Priority Data**

Mar. 1, 2018 (EP) ..... 004732964

(51) **LOC (12) Cl.** ..... **10-05**

(52) **U.S. Cl.**  
USPC ..... **D10/106.6**

(58) **Field of Classification Search**  
 USPC ..... D6/515–523; 312/34, 34.8, 34.22, 309.1;  
 206/389, 391; 211/13.1, 16, 44, 49.1, 50,  
 211/59.2, 86.01; 221/282, 283; 222/173,  
 222/181.1; D10/70, 104, 106.1, 106.6,  
 D10/104.1, 104.2, 106.7, 106.8, 106.9,  
 D10/106.92, 106.95, 114.1, 118, 118.2,  
 D10/121  
 CPC ..... A47K 5/14; A47K 5/1217; A47K 5/12;  
 B05B 11/3087; B05B 7/0037  
 See application file for complete search history.

(56) **References Cited**

**U.S. PATENT DOCUMENTS**

- D482,914 S \* 12/2003 Prasad ..... D6/515
- D614,979 S 5/2010 McNames et al.

**OTHER PUBLICATIONS**

“Purell ES8 Wall Mount Hand Sanitizer Dispenser White—Office Depot” available Jul. 26, 2019, [online], [site visited Jul. 26, 2019]. Retrieved from Internet, URL: <https://www.officedepot.com/a/products/424622/Purell-E58-Wall-Mount-Hand-Sanitizer/> (Year: 2019).\*

(Continued)

*Primary Examiner* — Michael C Stout  
*Assistant Examiner* — Katrina N Gonzalez  
 (74) *Attorney, Agent, or Firm* — Hogan Lovells US LLP

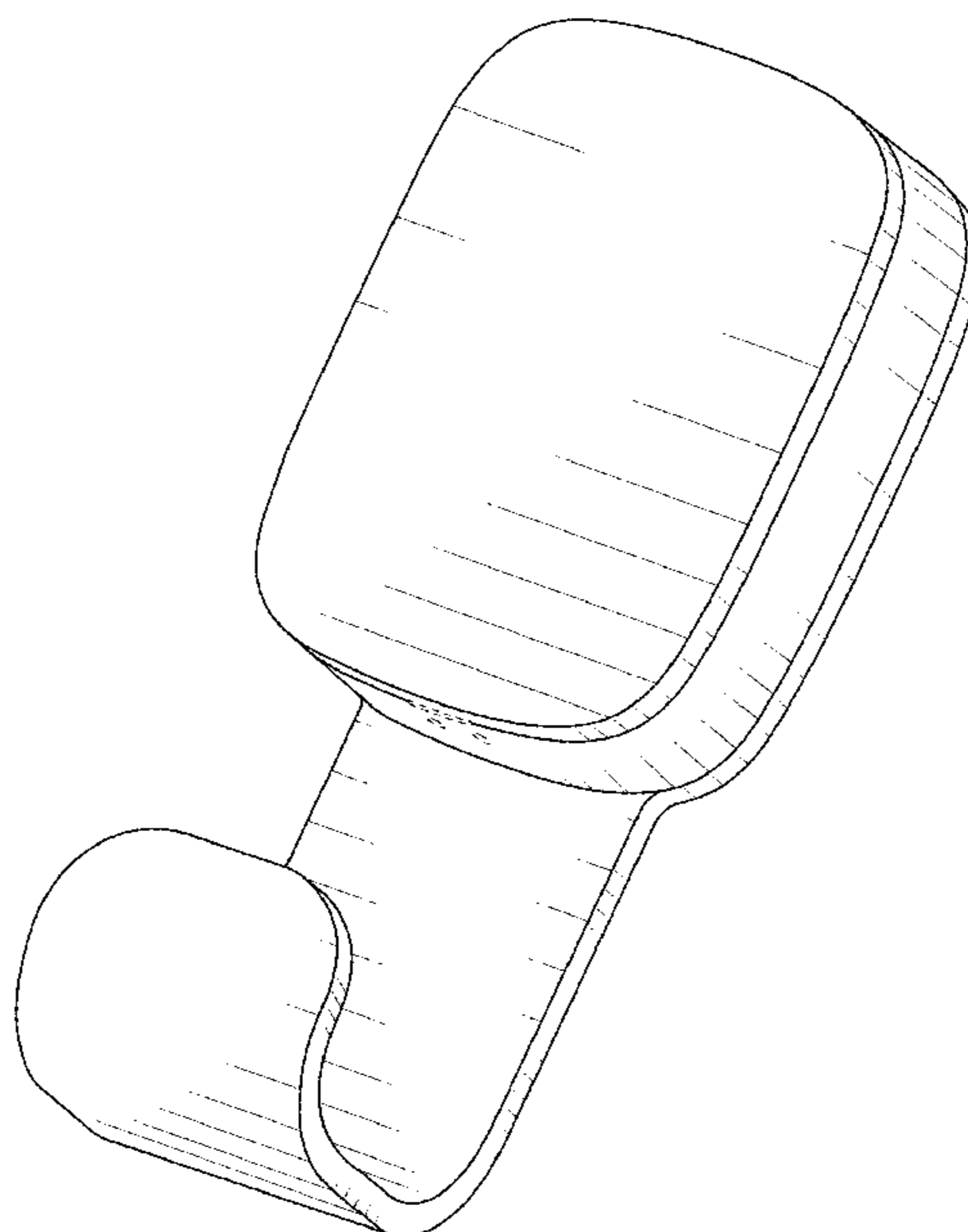
(57) **CLAIM**

The ornamental design for a movement sensor, as shown and described.

**DESCRIPTION**

FIG. 1 is a perspective view thereof;  
 FIG. 2 is a front view thereof;  
 FIG. 3 is a back view thereof;  
 FIG. 4 is a left side view thereof;  
 FIG. 5 is a right side view thereof;  
 FIG. 6 is a bottom view thereof; and,  
 FIG. 7 is a top view thereof.  
 The broken lines illustrate portions of the article that form no part of the claimed design.

**1 Claim, 7 Drawing Sheets**



(56)

**References Cited**

OTHER PUBLICATIONS

“Motion Sensor Clothes Hook Hidden Camera—Alex” available Jan. 3, 2020, [online], [site visited Jan. 3, 2020]. Retrieved from Internet, URL:<https://spycamerashd.com/product/motion-sensor-clothes-hook-hidden-camera-alex/> (Year: 2020).\*

Non-Final Office Action, corresponding to U.S. Appl. No. 29/662,003 dated Jun. 28, 2019.

\* cited by examiner

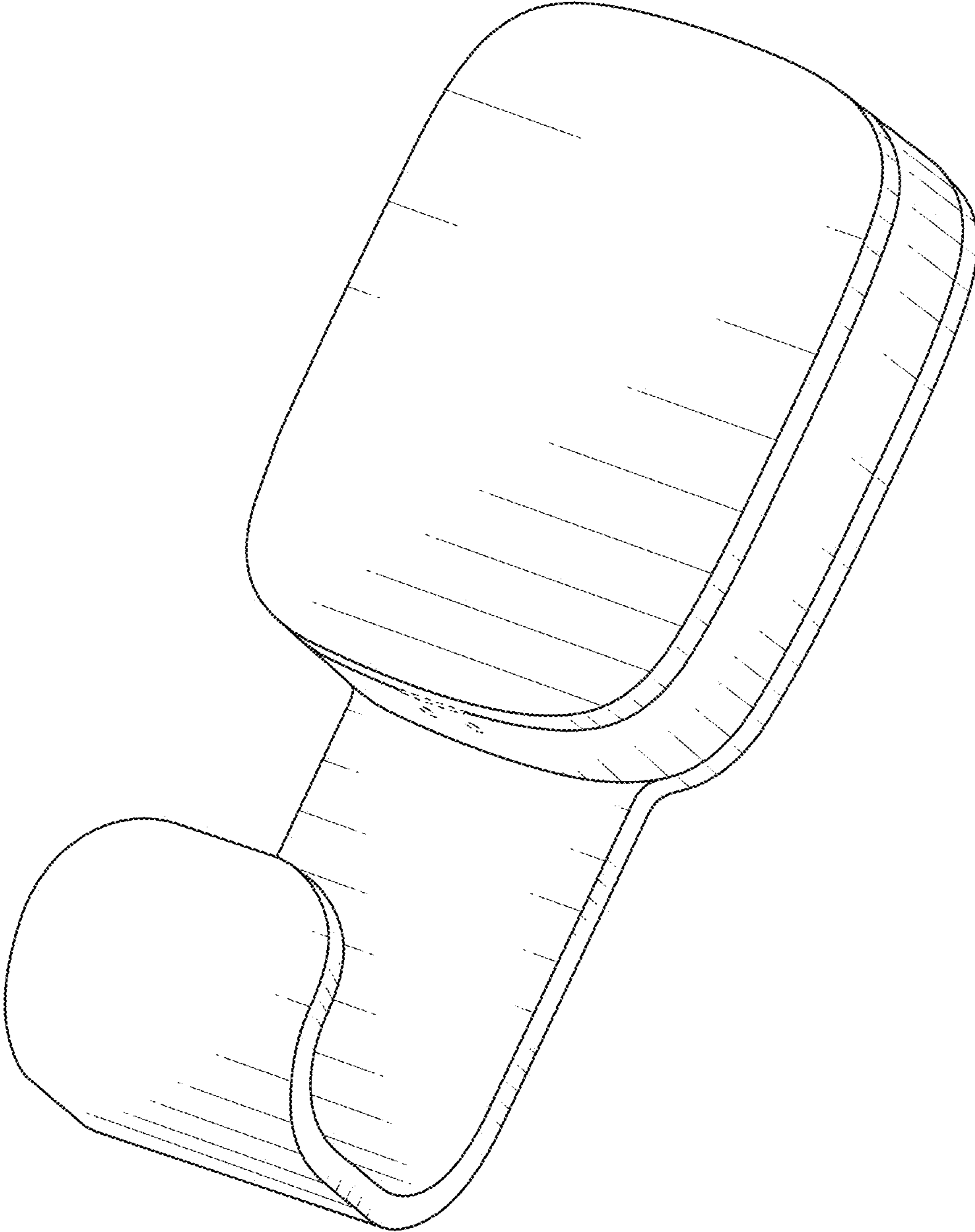


FIG. 1

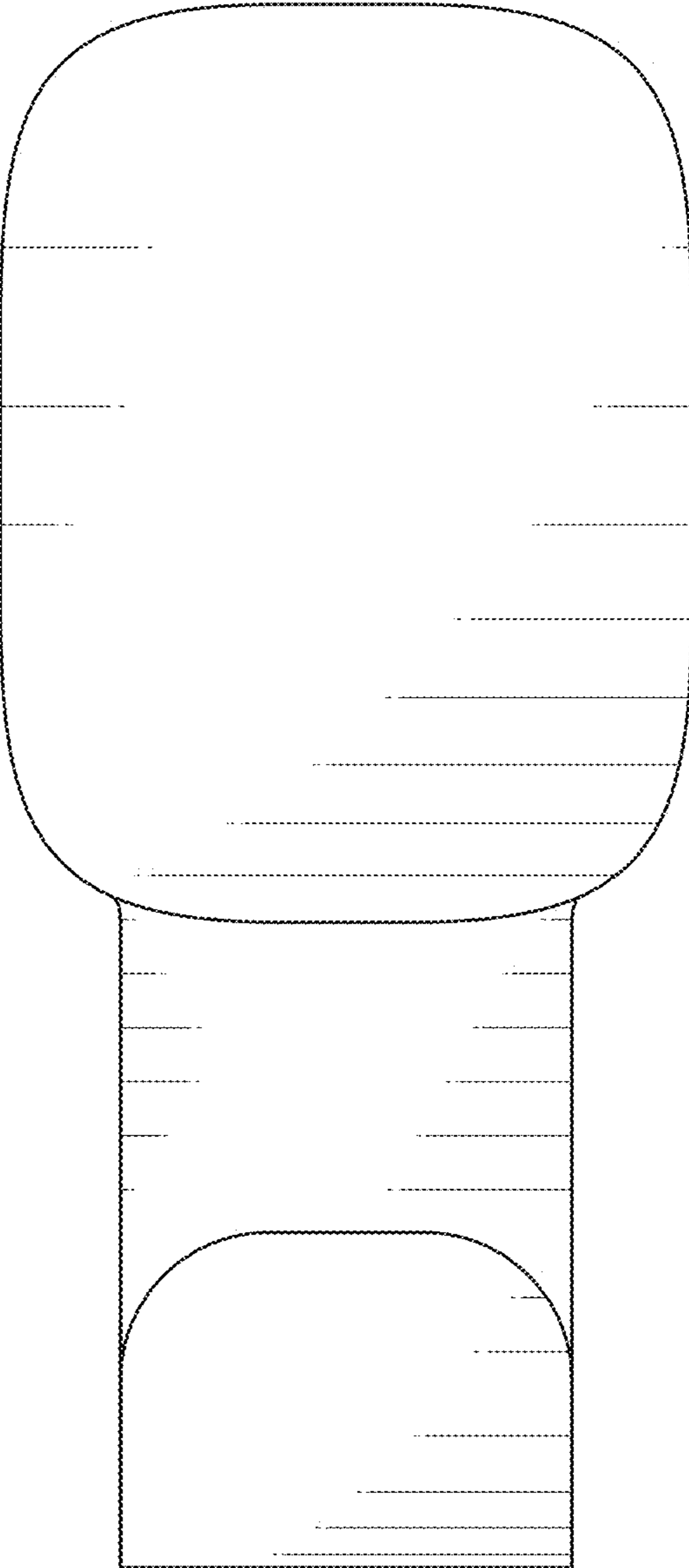


FIG. 2

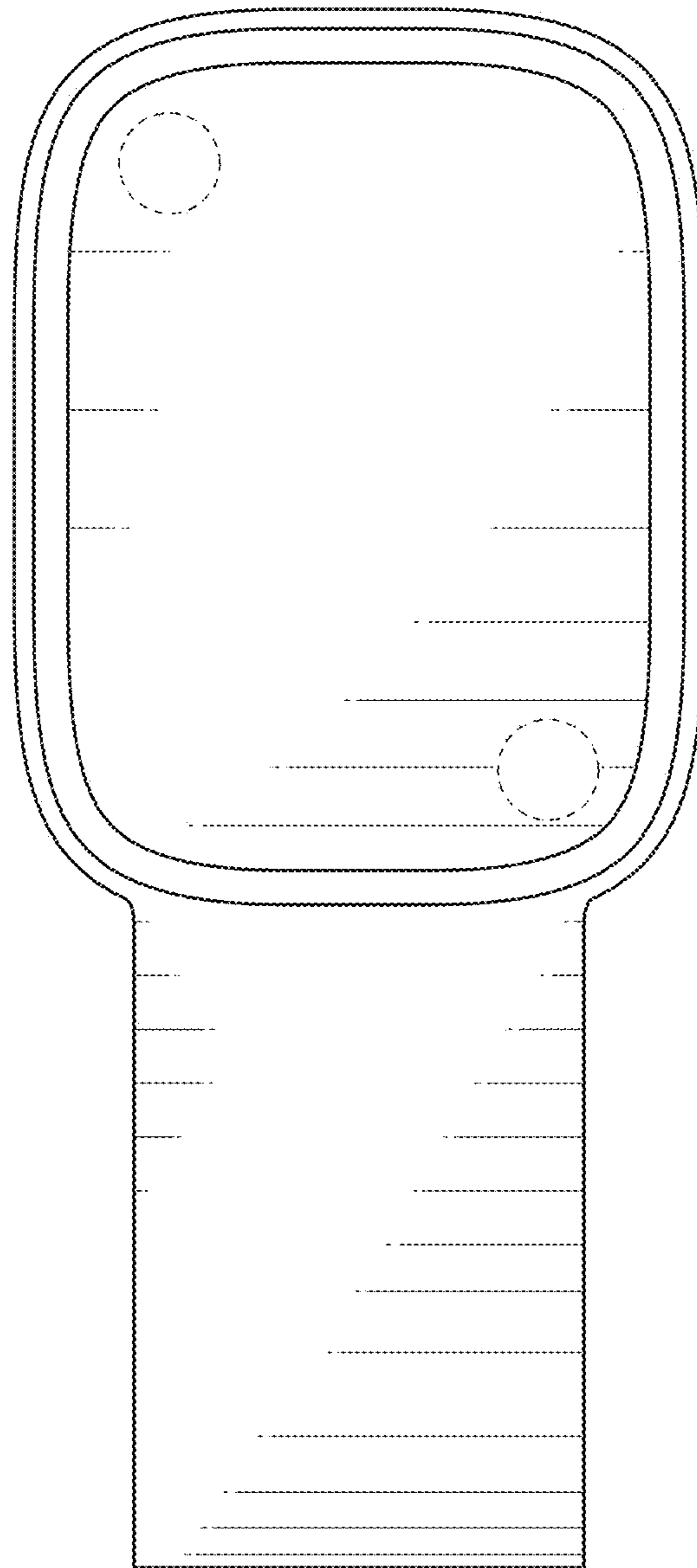


FIG. 3

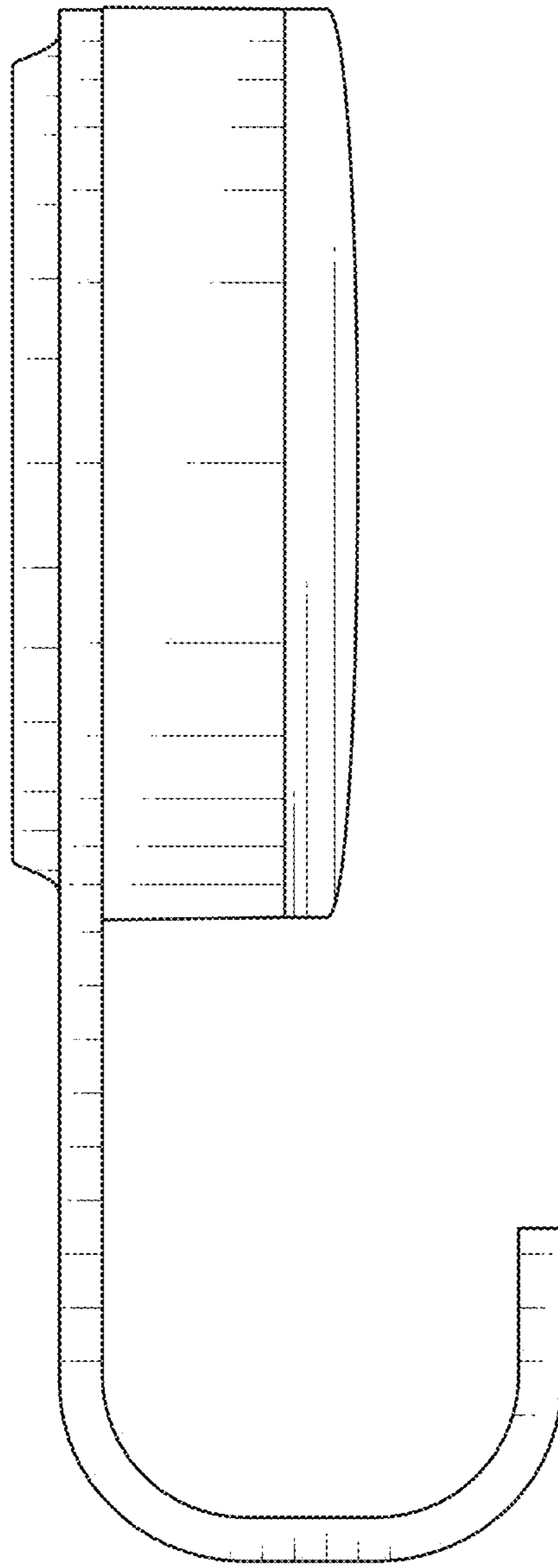


FIG. 4

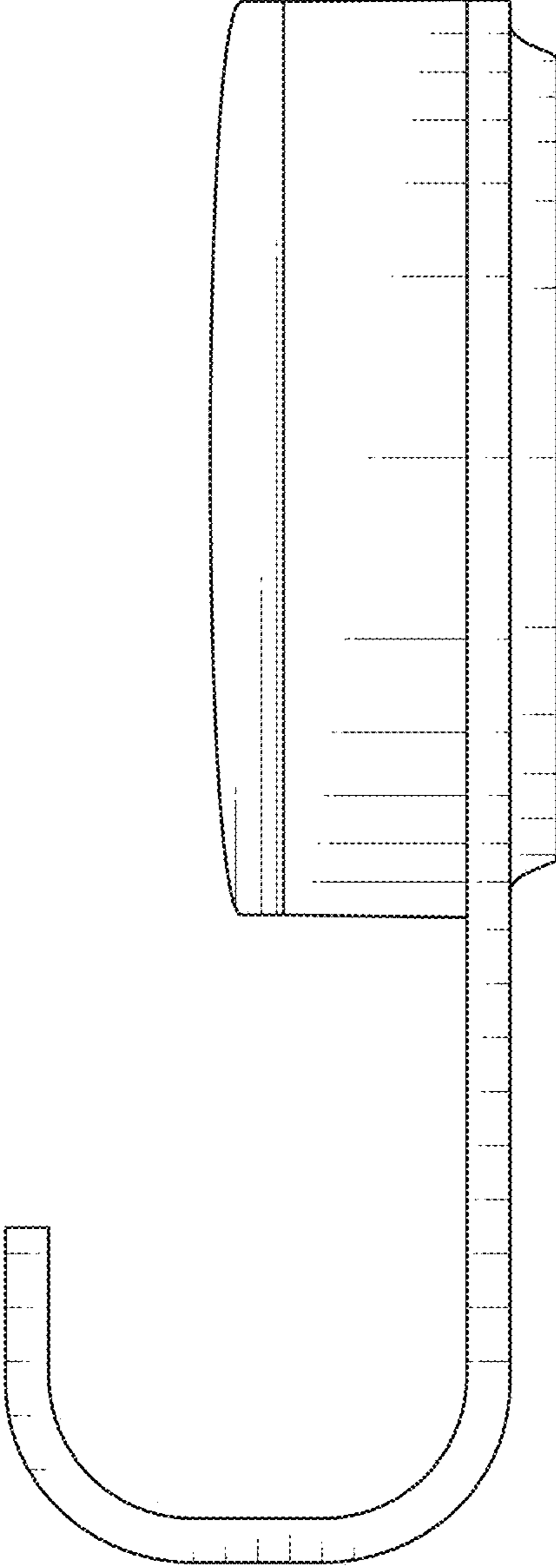


FIG. 5

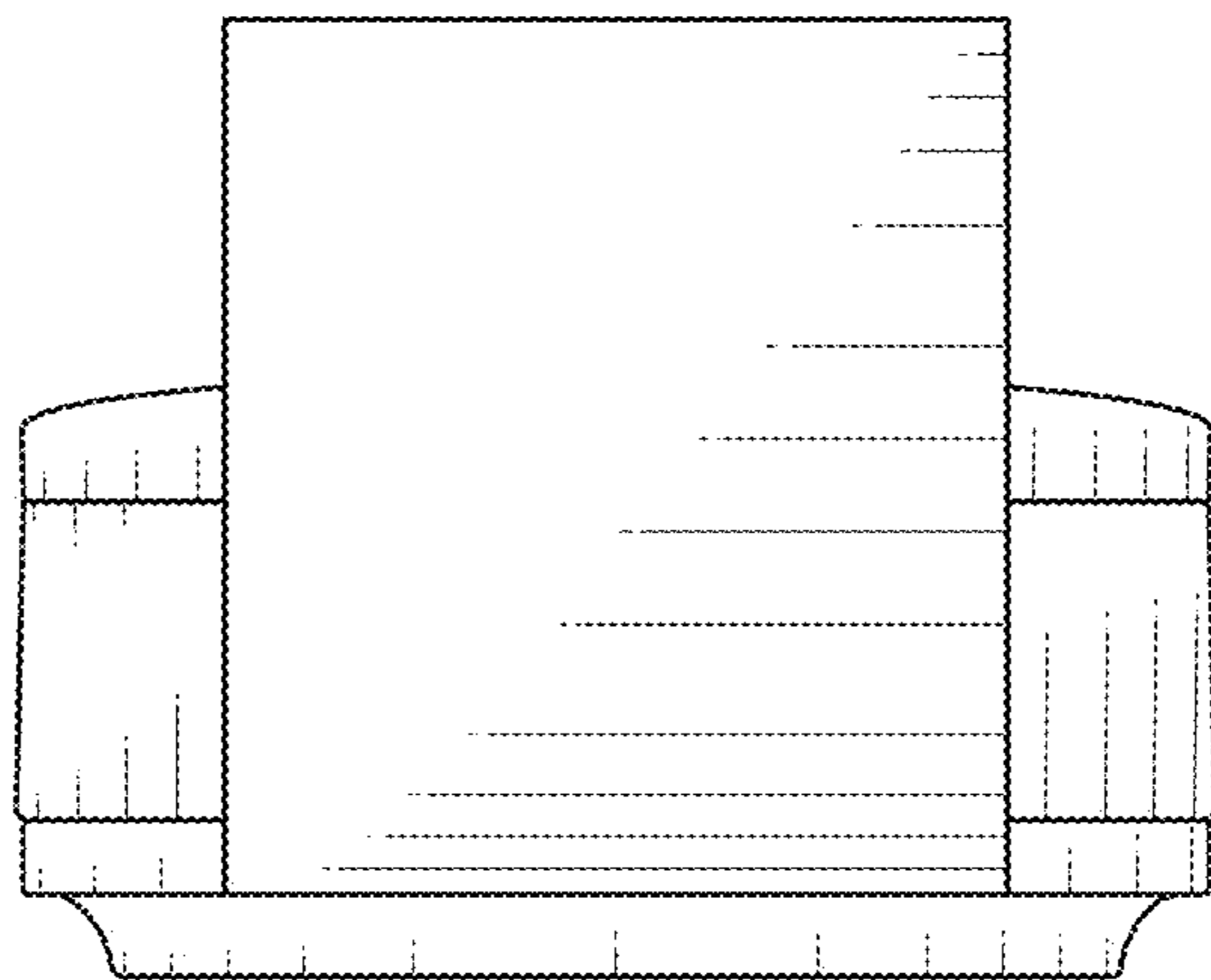


FIG. 6



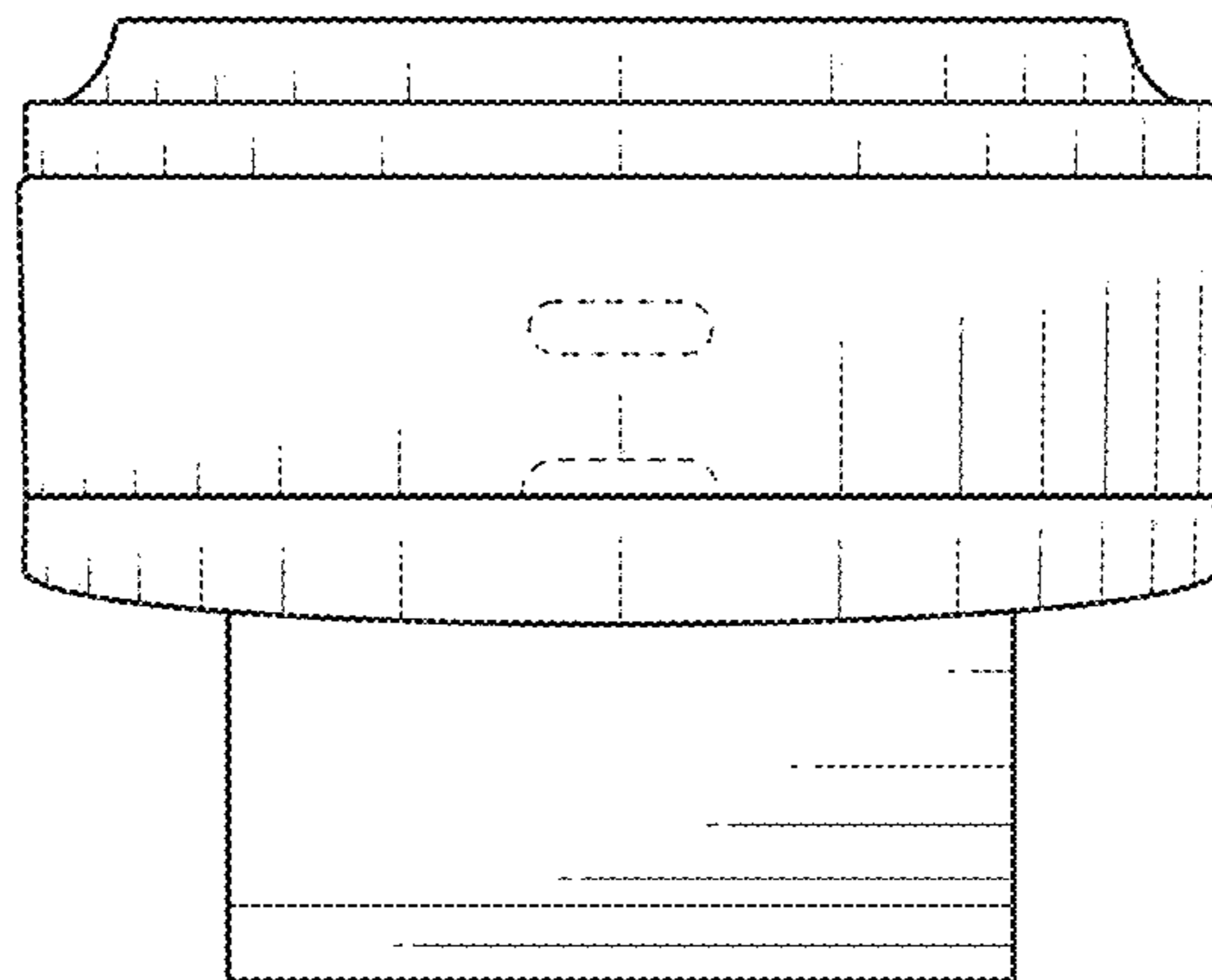


FIG. 7