



US00D878943S

(12) **United States Design Patent**
Mess et al.

(10) **Patent No.:** **US D878,943 S**

(45) **Date of Patent:** **** Mar. 24, 2020**

(54) **FLUID FLOW METER**

(71) Applicant: **Reliance Worldwide Corporation,**
Atlanta, GA (US)

(72) Inventors: **Francis McCarthy Mess,** Atlanta, GA
(US); **John P. Chichello, II,** Atlanta,
GA (US); **Jorge Carlos Almirall,**
Atlanta, GA (US); **Alexander Neal**
Rycroft, Atlanta, GA (US); **Michael W.**
Jackson, Atlanta, GA (US)

(73) Assignee: **Reliance Worldwide Corporation,**
Atlanta, GA (US)

(**) Term: **15 Years**

(21) Appl. No.: **29/662,009**

(22) Filed: **Aug. 31, 2018**

(51) **LOC (12) Cl.** **10-04**

(52) **U.S. Cl.**
USPC **D10/96**

(58) **Field of Classification Search**
USPC D10/96
CPC G01F 1/00-1/90; G01F 3/00-3/38; G01F
5/00-5/005; G01F 7/00-7/005; G01F
9/00-9/026; G01F 11/00-11/46; G01F
13/00-13/008; G01F 15/00-15/185; G01F
17/00; G01F 19/00-19/007; G01F
25/00-25/0092; G01P 13/00; G05D
7/00-7/0694; G05D 11/00-11/16
See application file for complete search history.

(56) **References Cited**

U.S. PATENT DOCUMENTS

D344,465 S * 2/1994 Brew D10/96
D447,072 S * 8/2001 Asai D10/96
D575,652 S * 8/2008 Varini D10/96

9,360,871 B1 * 6/2016 Jorgensen G05D 7/0635
D812,504 S * 3/2018 Headley G05D 7/0635
D10/96

2017/0122916 A1 5/2017 Leaders et al.

* cited by examiner

Primary Examiner — Antoine Duval Davis

(74) *Attorney, Agent, or Firm* — Foley & Lardner, LLP

(57) **CLAIM**

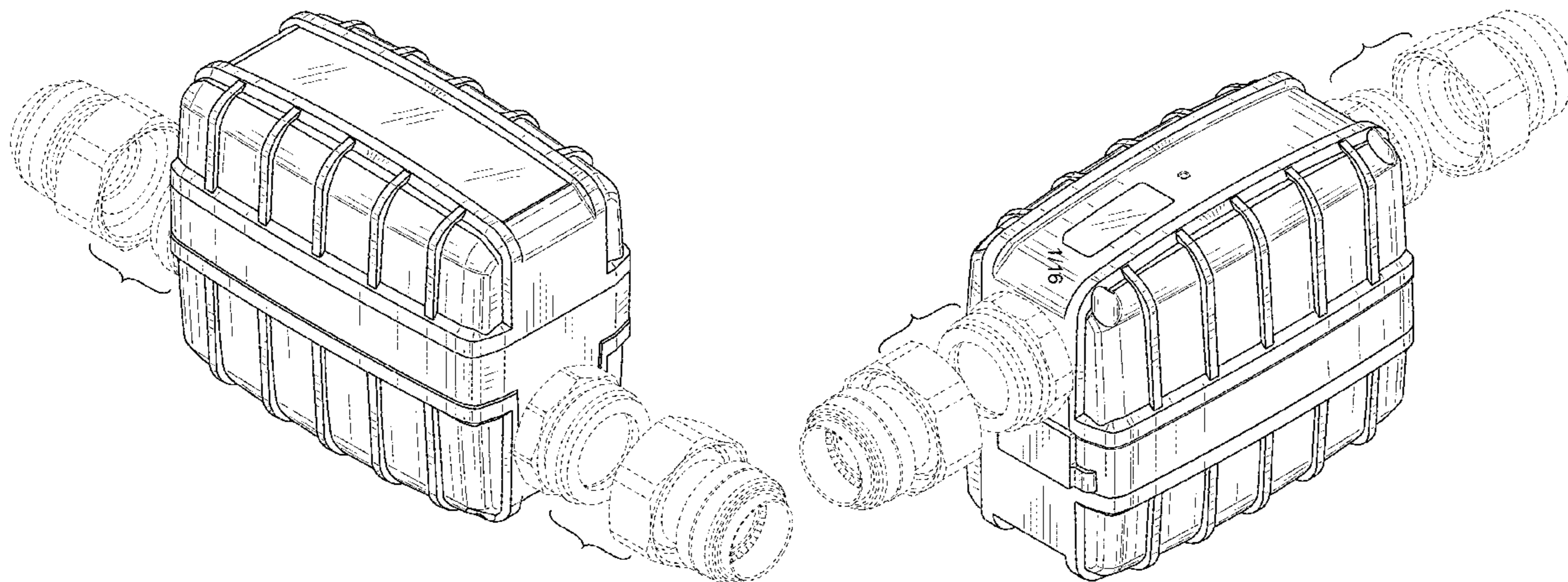
The ornamental design for a fluid flow meter, as shown and described.

DESCRIPTION

FIG. 1 is a front right perspective view of the claimed design, according to a first embodiment;
FIG. 2 is a front view thereof;
FIG. 3 is a rear view thereof;
FIG. 4 is a left side view thereof;
FIG. 5 is a right side view thereof;
FIG. 6 is a top view thereof;
FIG. 7 is a bottom view thereof;
FIG. 8 is a rear left perspective view thereof;
FIG. 9 is a front right perspective view of the claimed design, according to a second embodiment;
FIG. 10 is a front view thereof;
FIG. 11 is a rear view thereof;
FIG. 12 is a left side view thereof;
FIG. 13 is a right side view thereof;
FIG. 14 is a top view thereof;
FIG. 15 is a bottom view thereof; and,
FIG. 16 is a rear left perspective view thereof.

The ornamental design which is claimed is shown in solid lines in the drawings. The broken lines in the drawings are for illustrative purposes only and form no part of the claimed design. Oblique lines show a transparent, translucent, highly polished, or reflective surface, and not surface ornamentation.

1 Claim, 16 Drawing Sheets



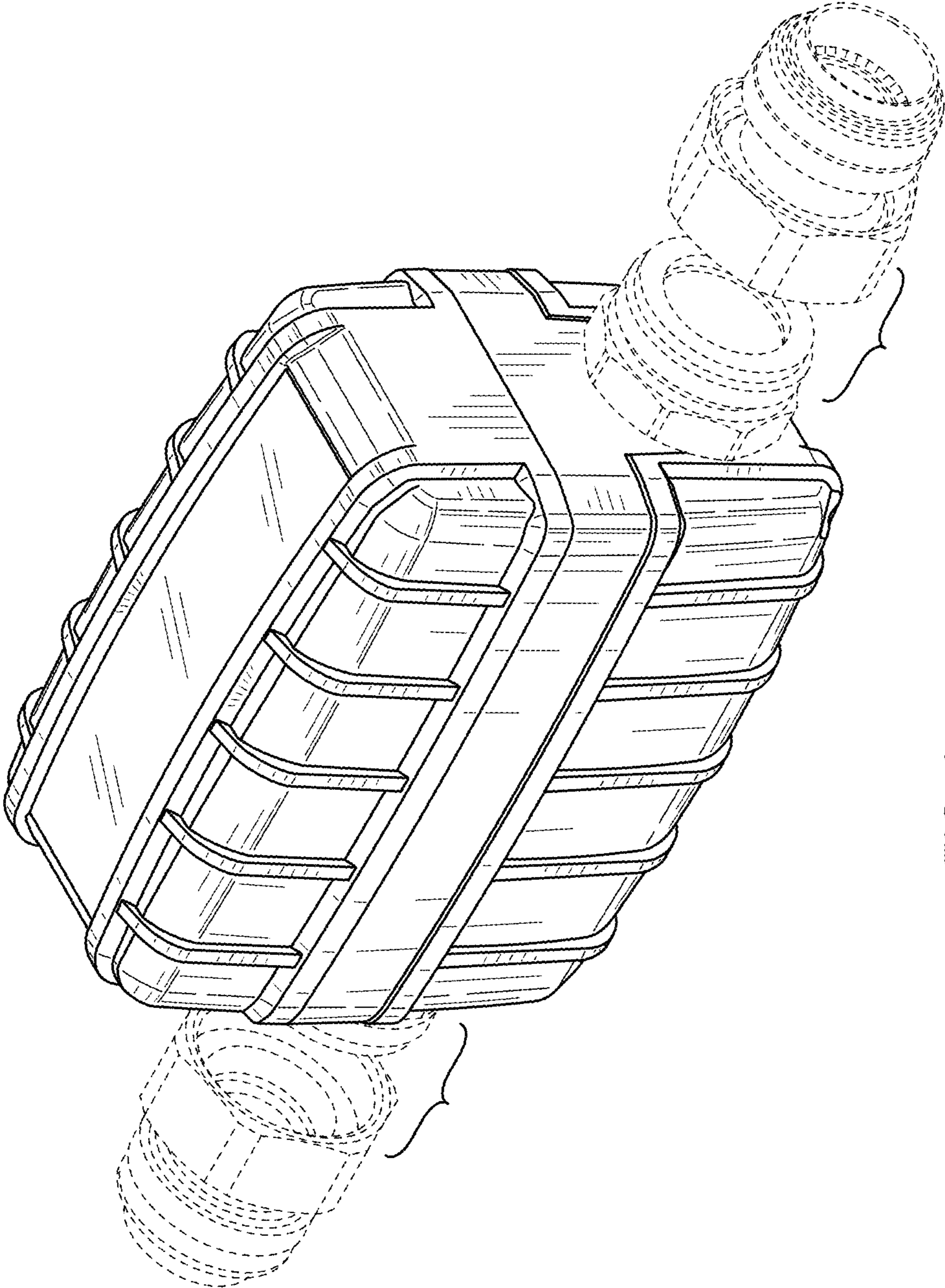


FIG. 1

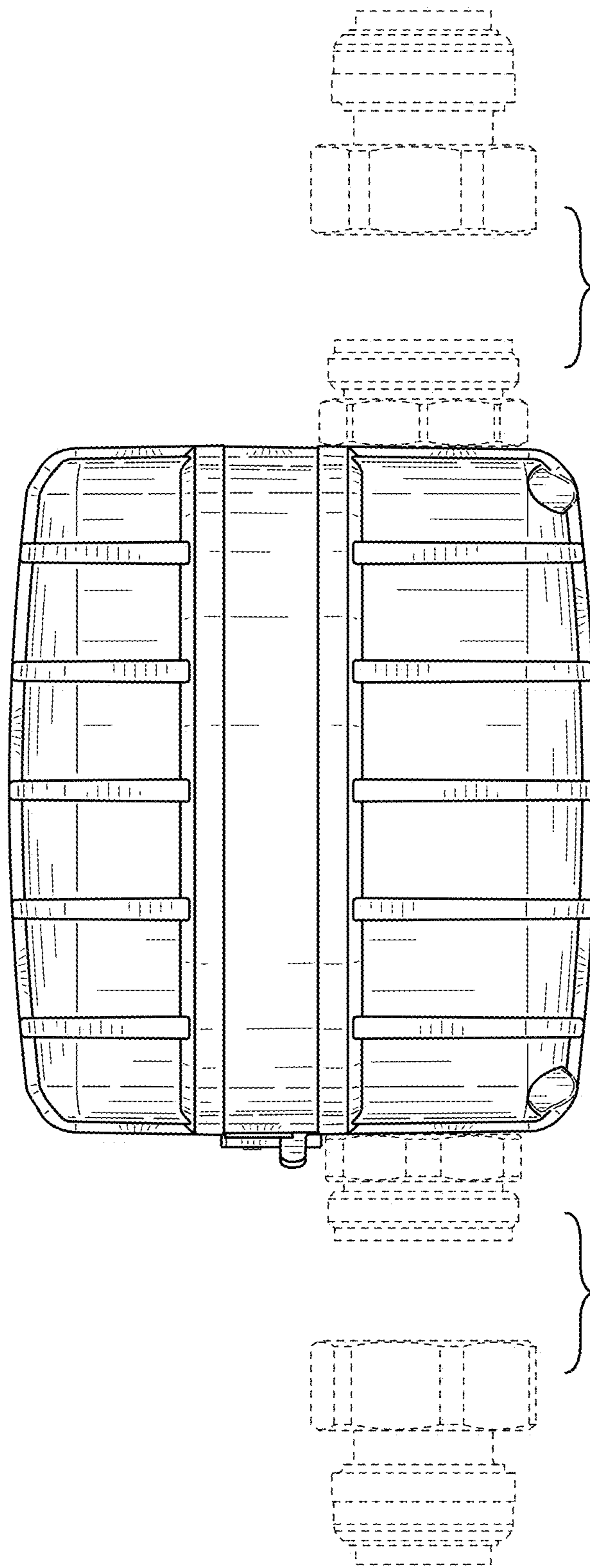


FIG. 2

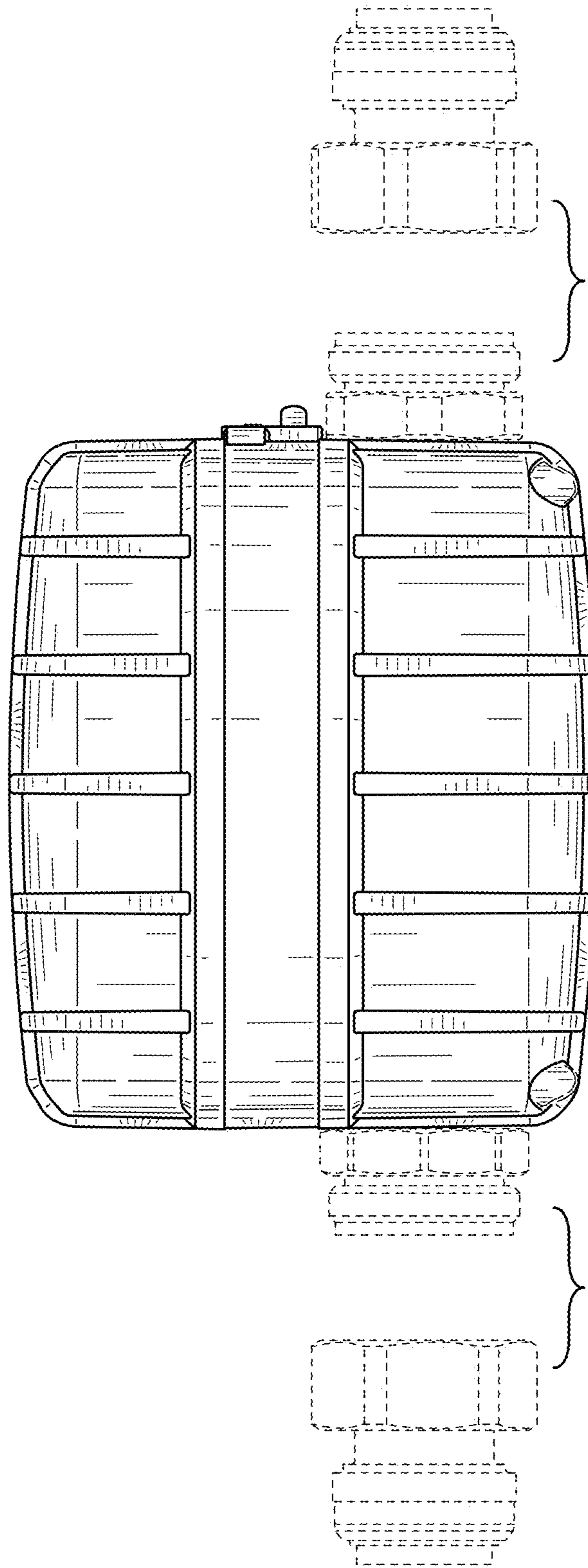


FIG. 3

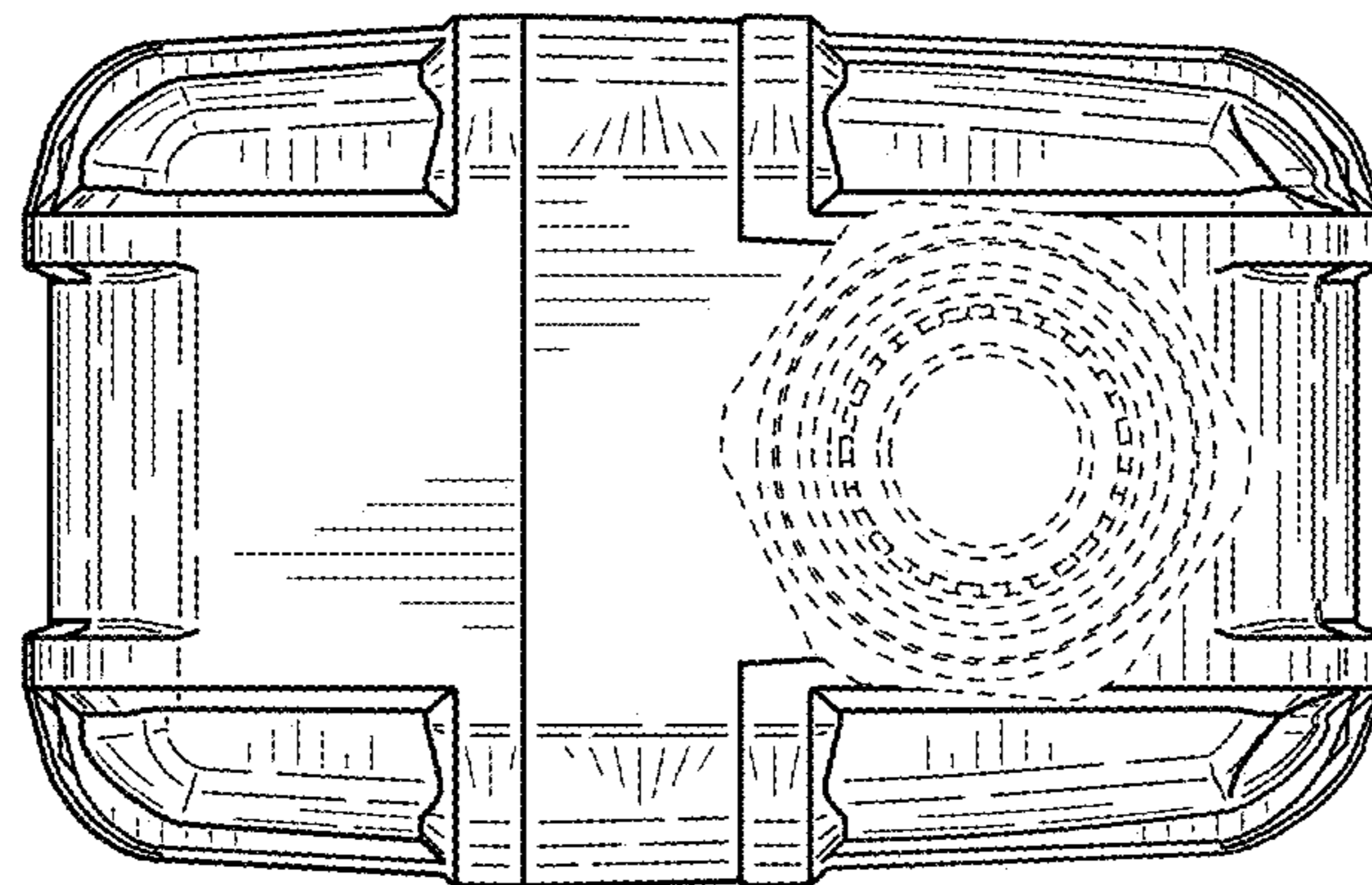


FIG. 4

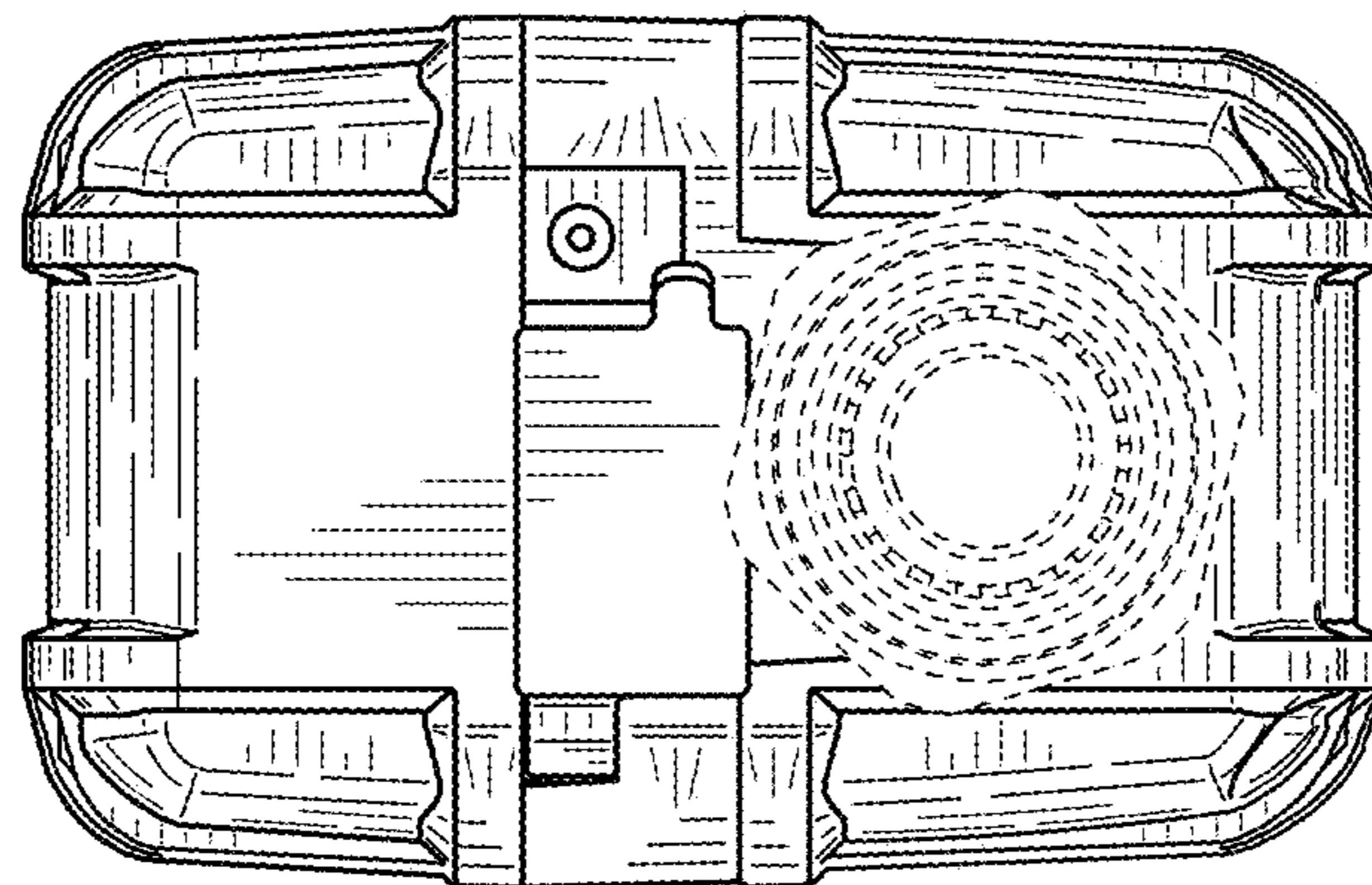


FIG. 5

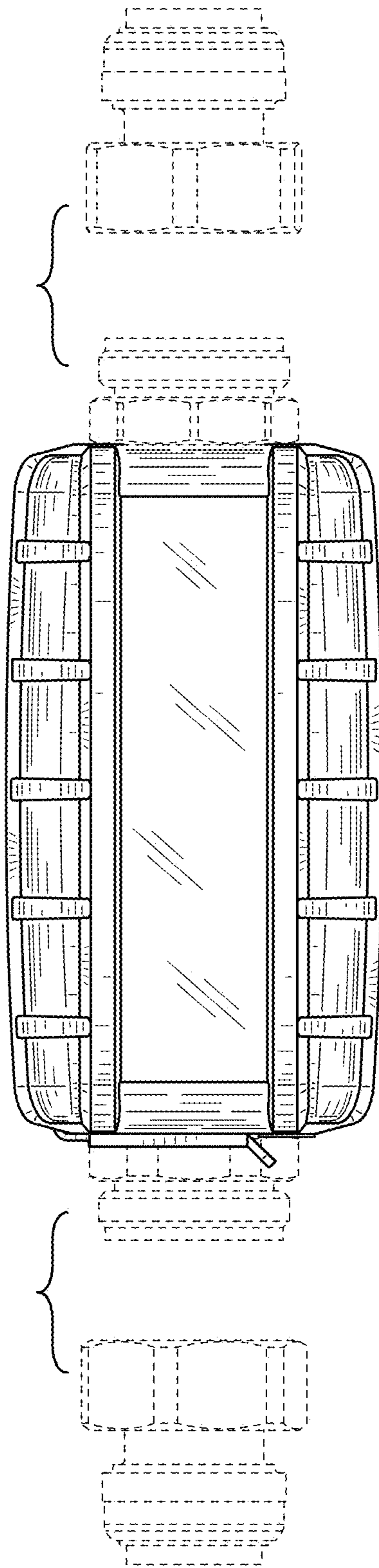


FIG. 6

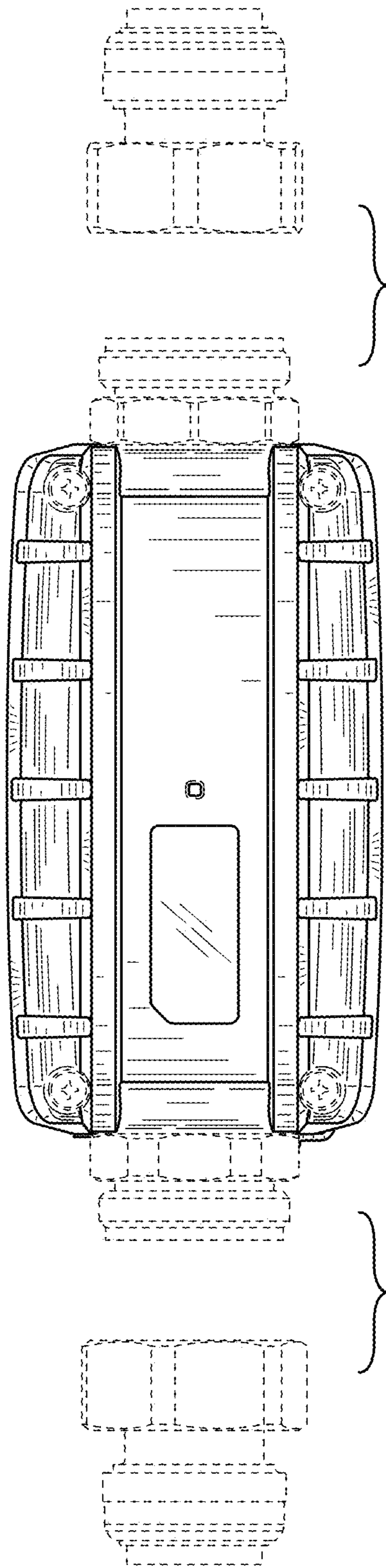


FIG. 7

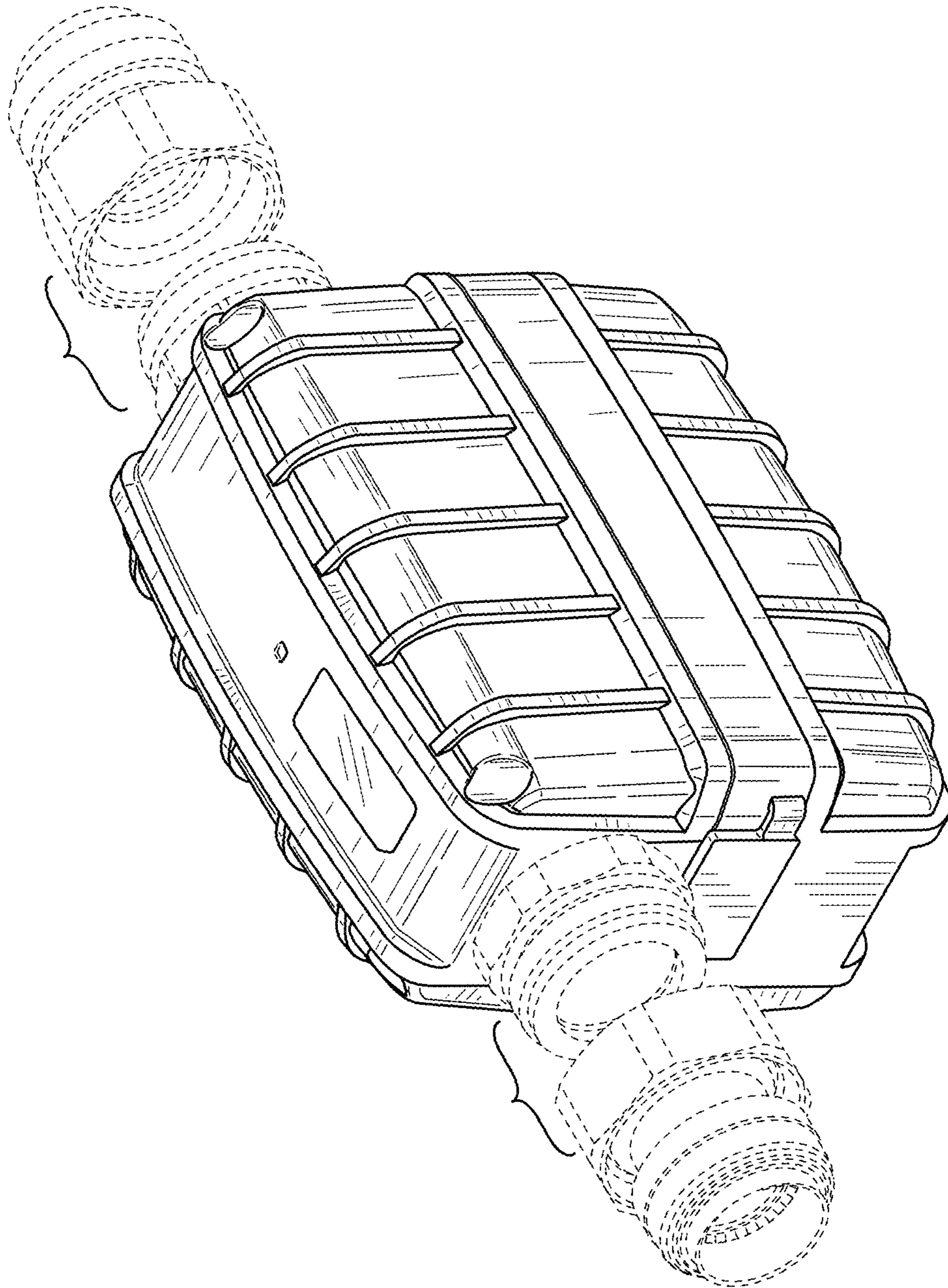


FIG. 8

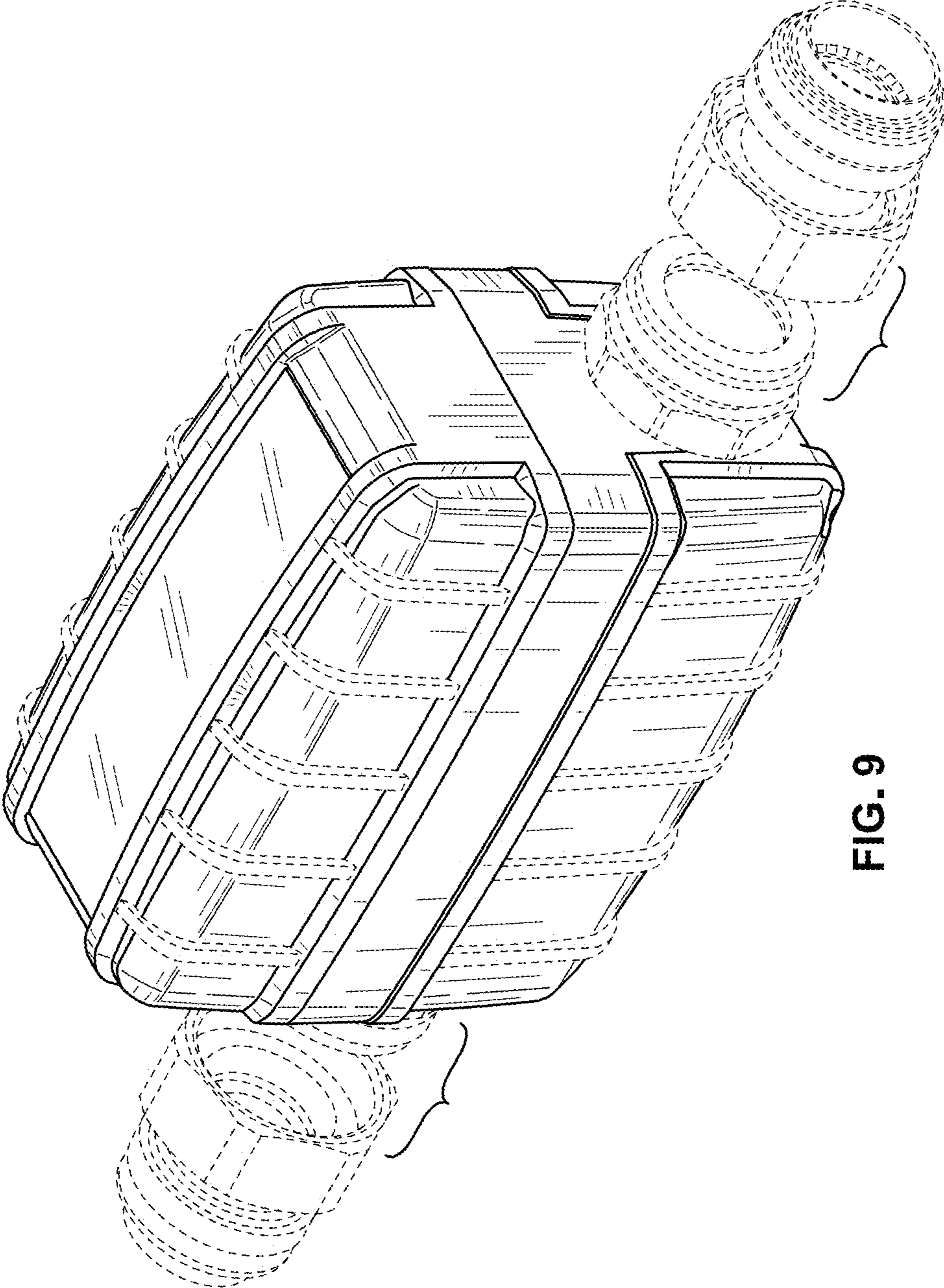


FIG. 9

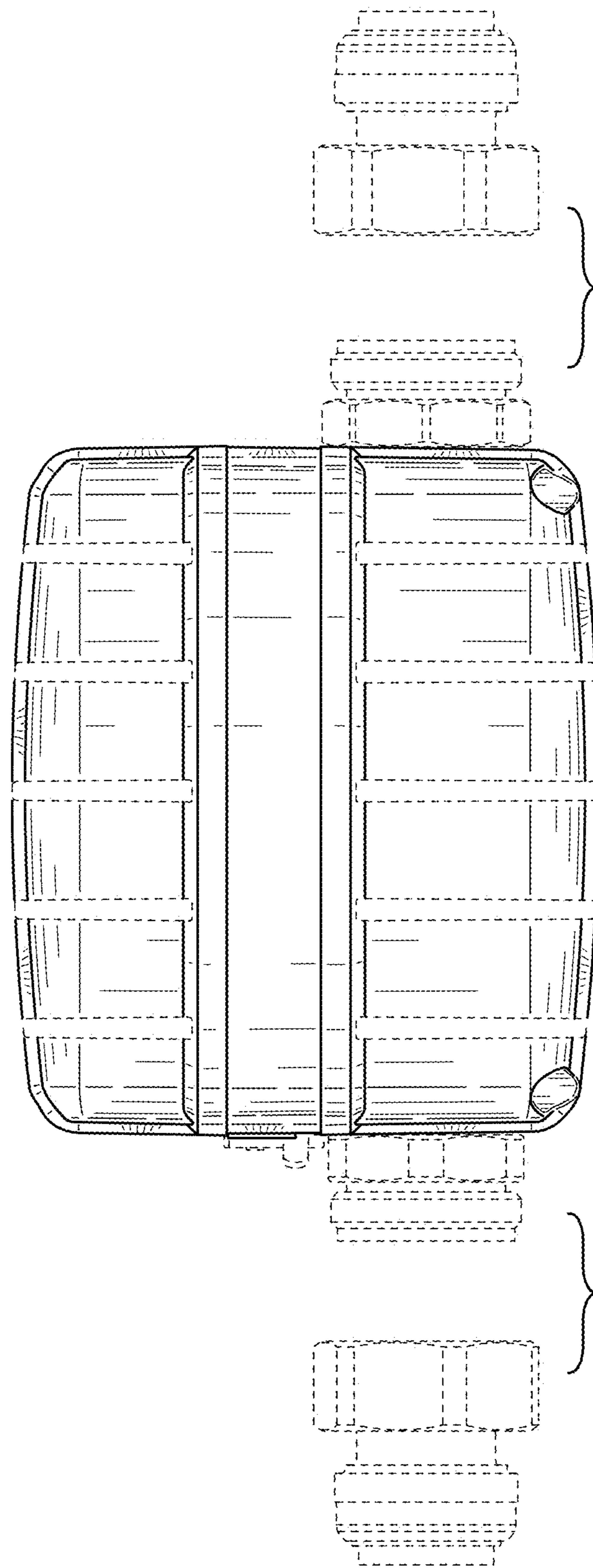


FIG. 10

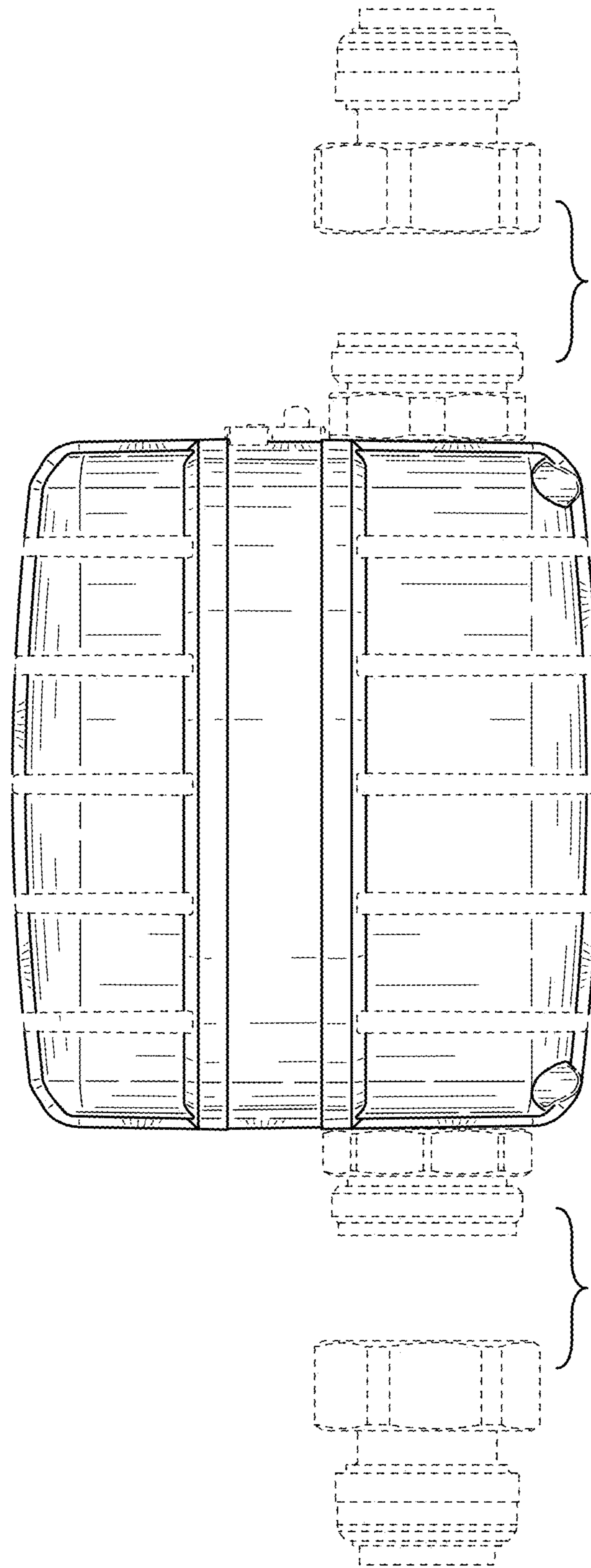


FIG. 11

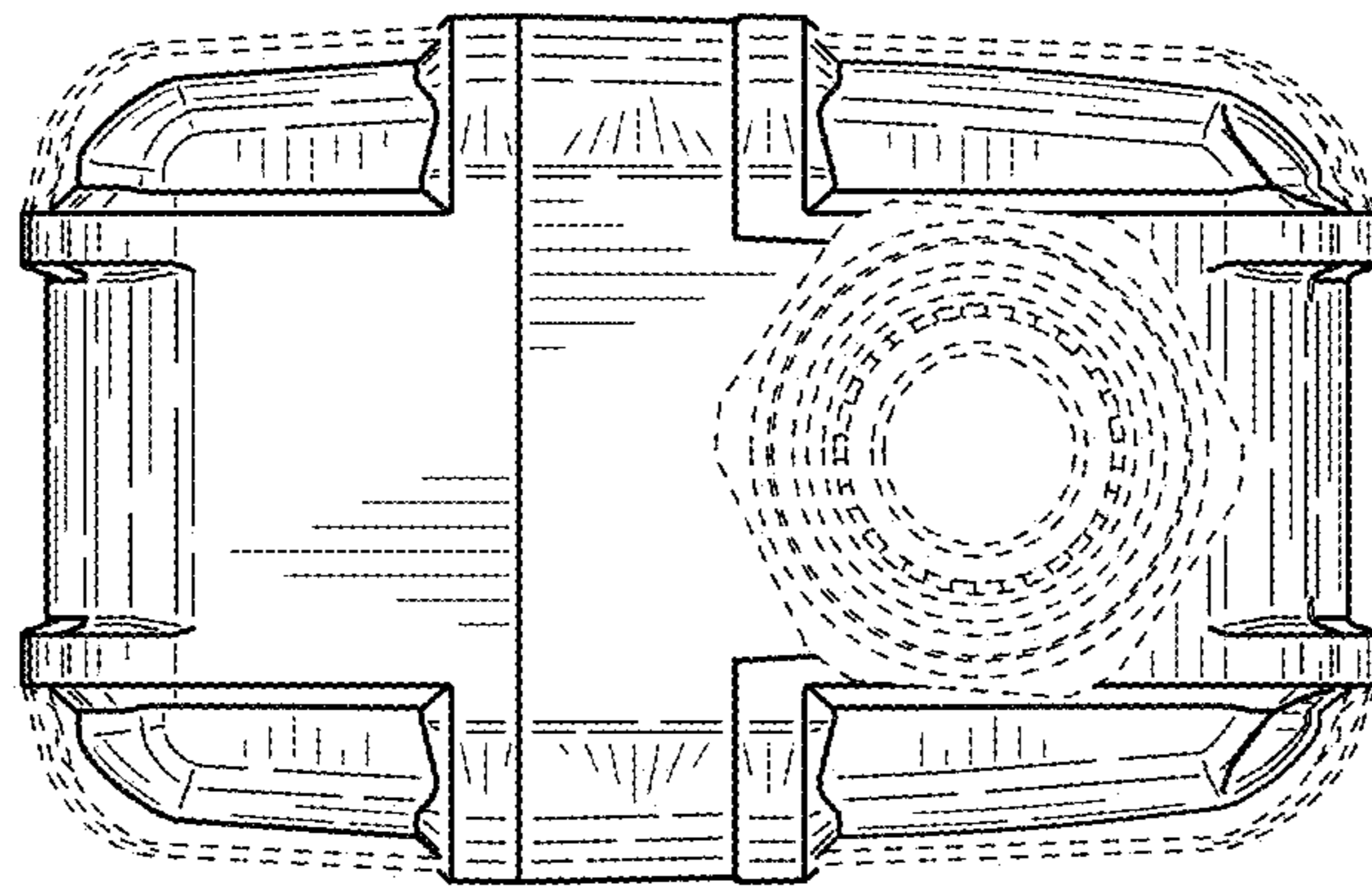


FIG. 12

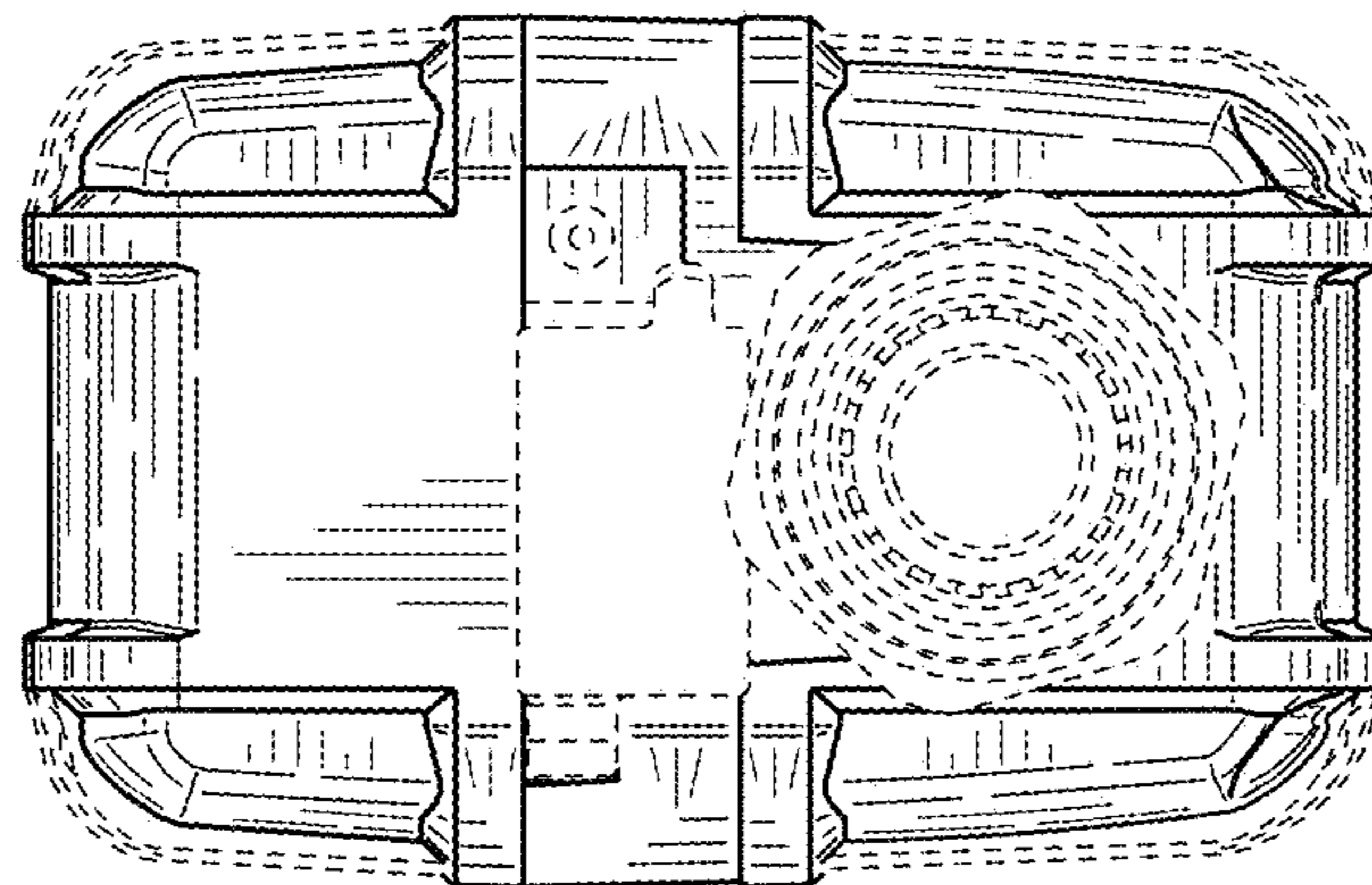


FIG. 13

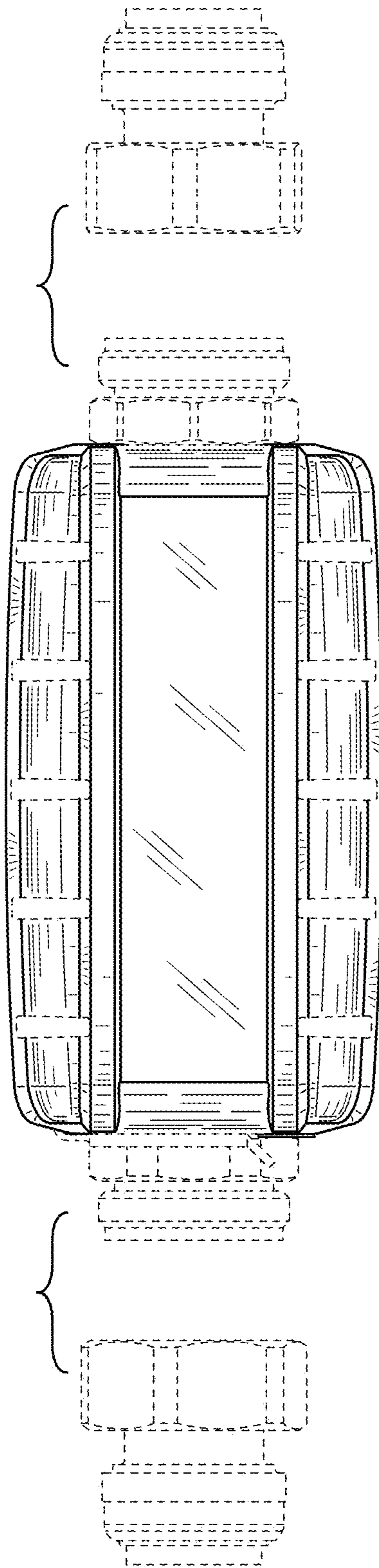


FIG. 14

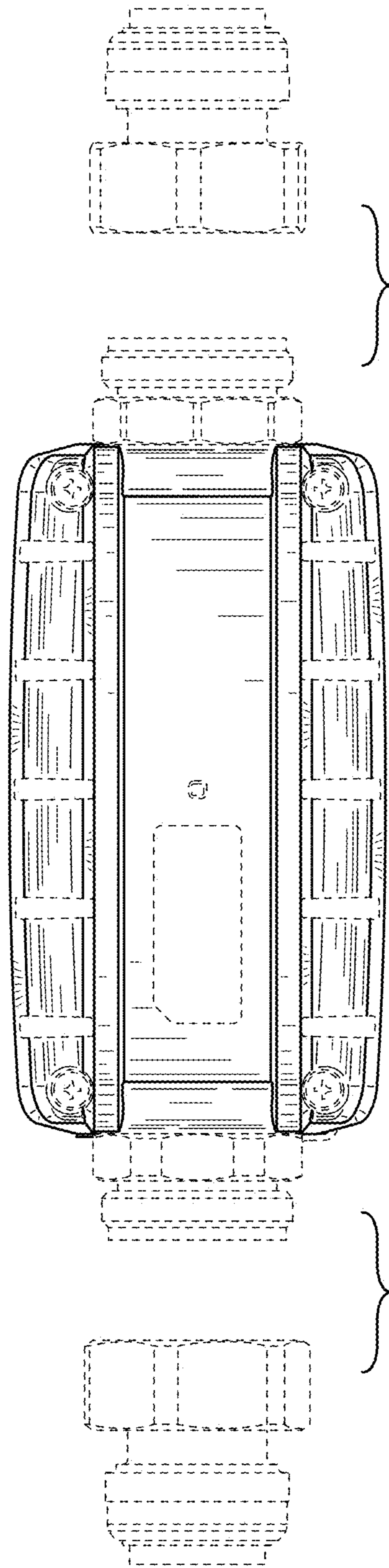


FIG. 15

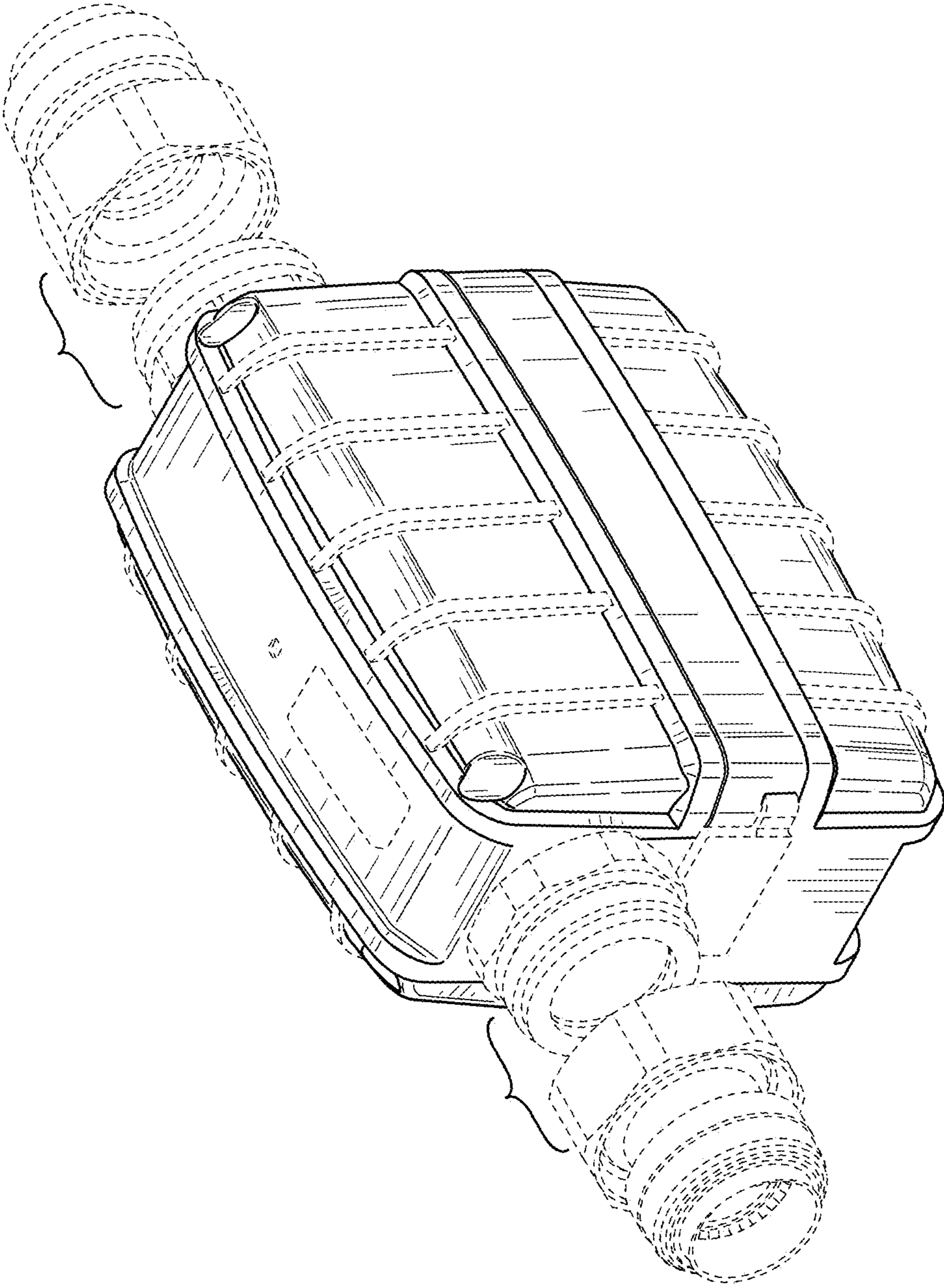


FIG. 16