



US00D878941S

(12) **United States Design Patent**
Cobb et al.

(10) **Patent No.:** **US D878,941 S**
(45) **Date of Patent:** **** Mar. 24, 2020**

(54) **MEASURING TAPE**

2003/1089; G01B 2003/1092; G01B
2003/1079; G01B 2003/1041; G01B
2003/1084; G07B 3/10

(71) Applicant: **APEX BRANDS, INC.**, Apex, NC
(US)

See application file for complete search history.

(72) Inventors: **Ian Michael Cobb**, Wixom, MI (US);
Vlad Patrangenaru, Ellicott City, MD
(US); **David Jonathan Byron**,
Southfield, MI (US)

(56) **References Cited**

U.S. PATENT DOCUMENTS

D650,712 S * 12/2011 Everett D10/72
D832,122 S * 10/2018 Cobb D10/74
D842,143 S * 3/2019 Richey D10/74

(73) Assignee: **APEX BRANDS, INC.**, Apex, NC
(US)

* cited by examiner

(**) Term: **15 Years**

Primary Examiner — Antoine Duval Davis

(21) Appl. No.: **29/663,681**

(74) *Attorney, Agent, or Firm* — Burr & Forman LLP

(22) Filed: **Sep. 18, 2018**

(57) **CLAIM**

The ornamental design for a measuring tape, as shown and described.

Related U.S. Application Data

DESCRIPTION

(62) Division of application No. 29/589,218, filed on Dec.
29, 2016, now Pat. No. Des. 832,122.

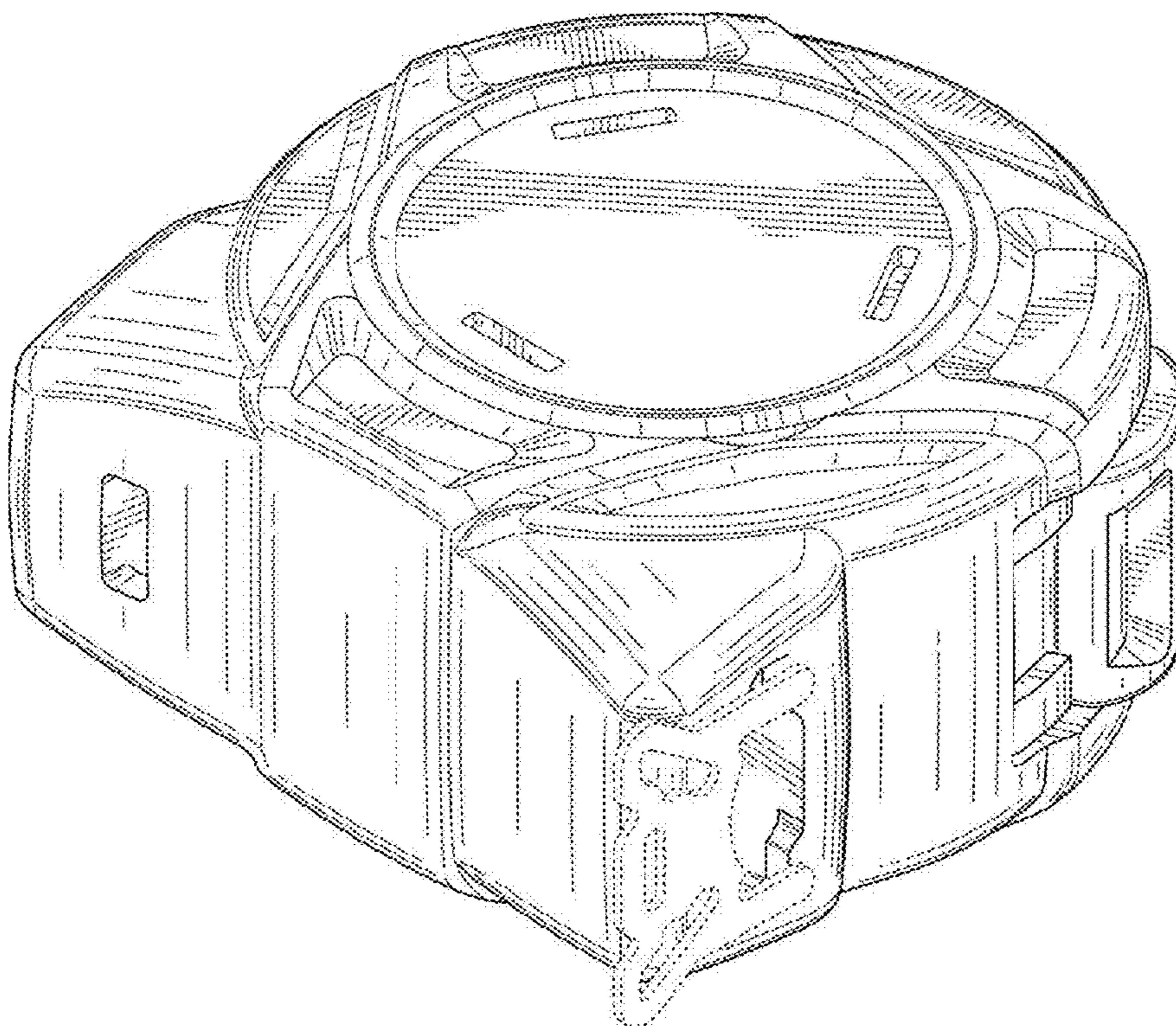
(51) **LOC (12) Cl.** **10-04**

(52) **U.S. Cl.**
USPC **D10/72**

(58) **Field of Classification Search**
USPC D10/72, 74
CPC G01B 3/10; G01B 3/1002; G01B 3/1041;
G01B 2003/1043; G01B 2003/1046;
G01B 2003/1048; G01B 2003/1051;
G01B 2003/1053; G01B 2003/1097;
G01B 3/1082; G01B 3/1056; G01B
3/563; G01B 3/566; G01B 3/1071; G01B

FIG. 1 is a perspective view of a measuring tape in accordance with the present invention;
FIG. 2 is a right side view of the measuring tape of FIG. 1;
FIG. 3 is a left side view of the measuring tape of FIG. 1;
FIG. 4 is a top view of the measuring tape of FIG. 1;
FIG. 5 is a bottom view of the measuring tape of FIG. 1;
FIG. 6 is a rear view of the measuring tape of FIG. 1; and,
FIG. 7 is a front view of the measuring tape of FIG. 1.
The broken lines of FIGS. 1-7 form no part of the claimed design.

1 Claim, 7 Drawing Sheets



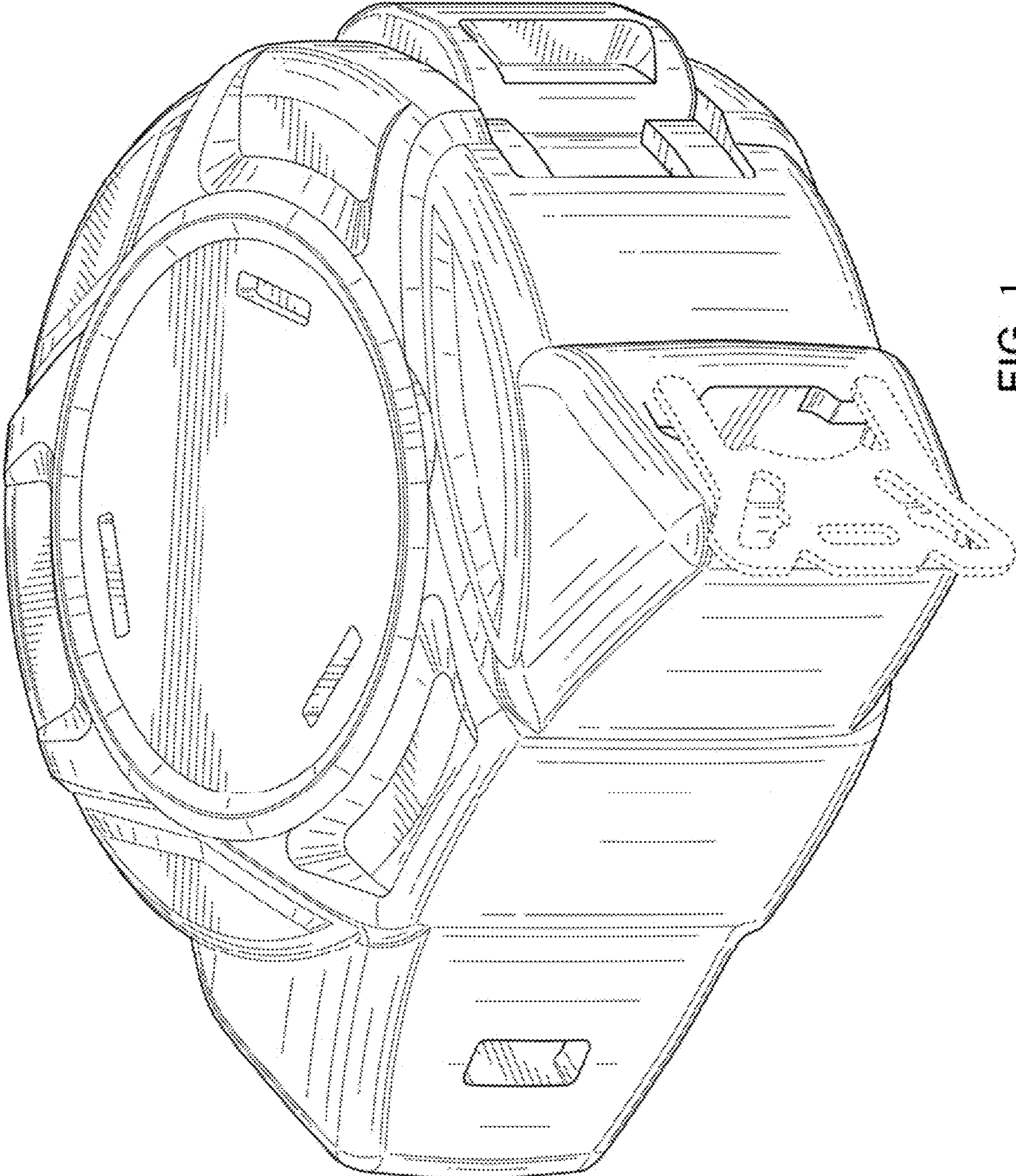


FIG. 1

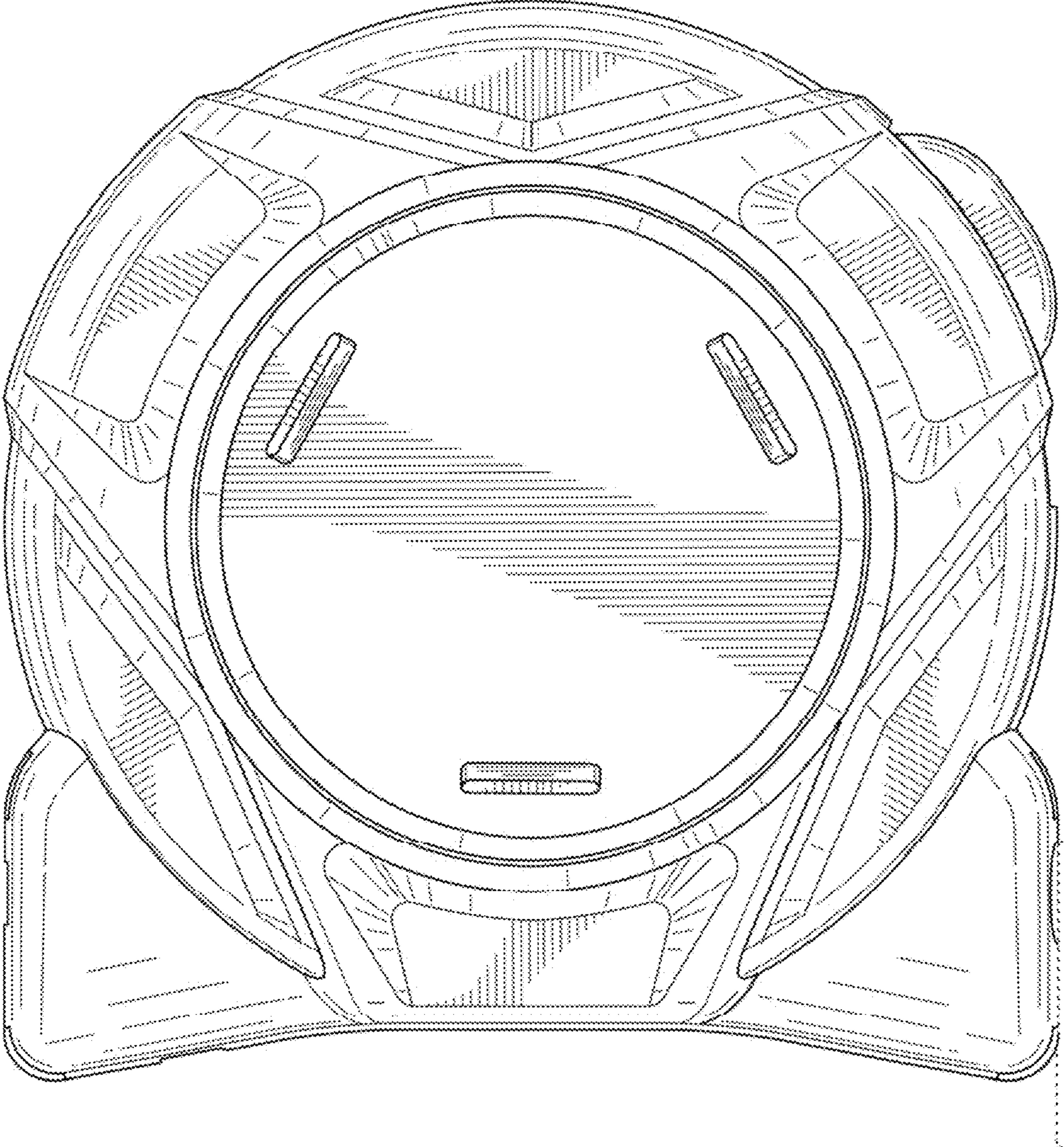


FIG. 2

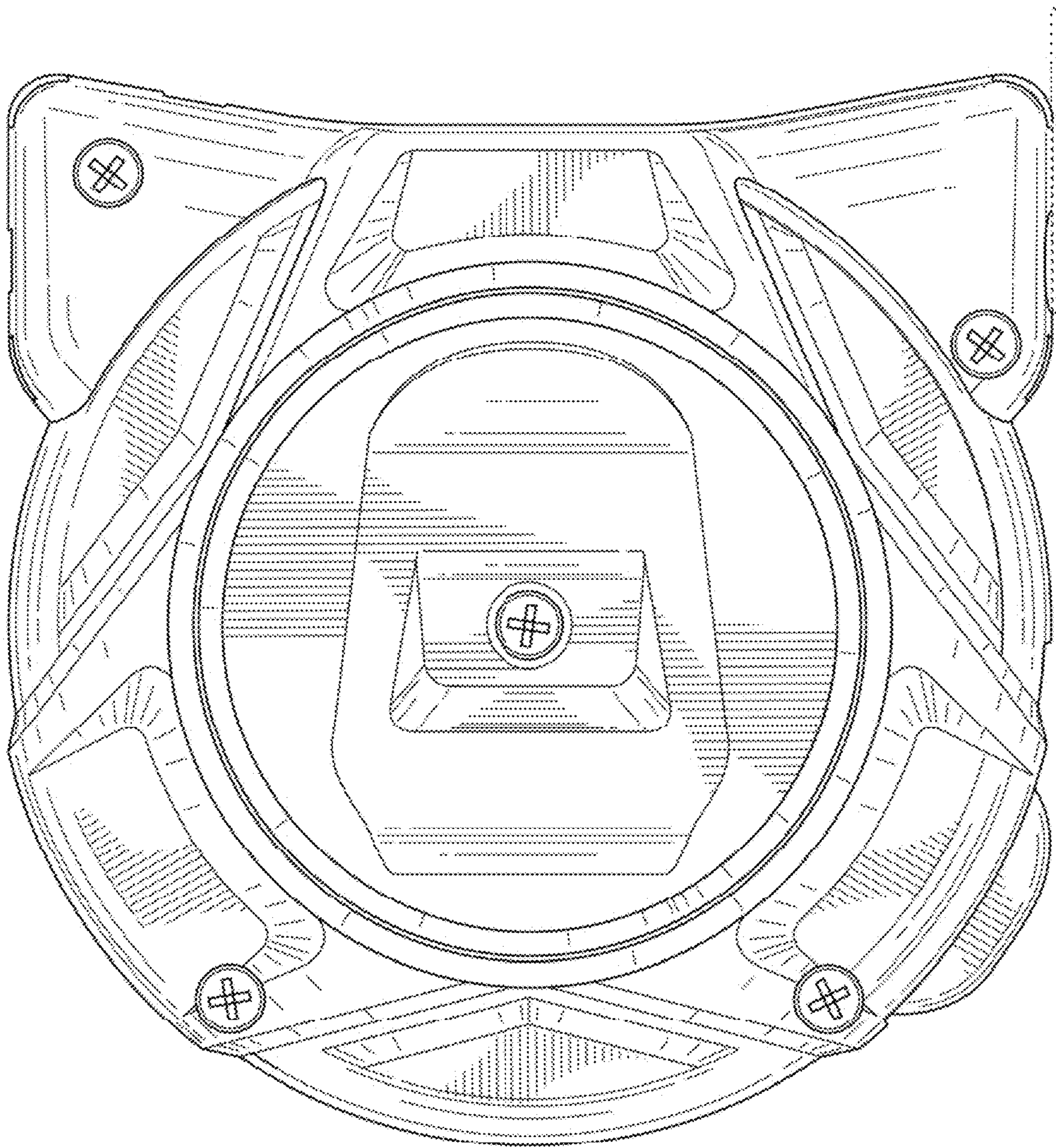


FIG. 3

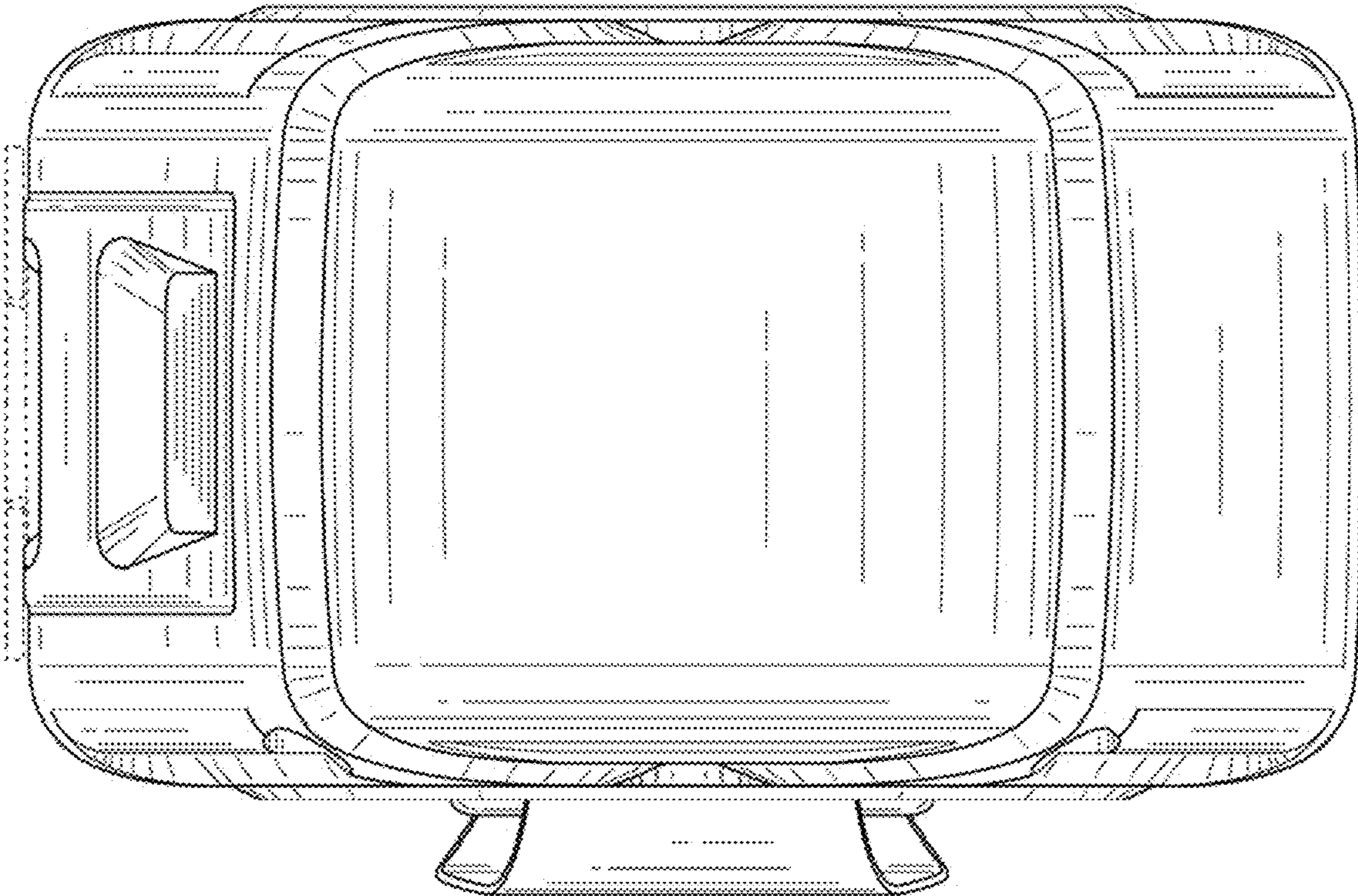


FIG. 4

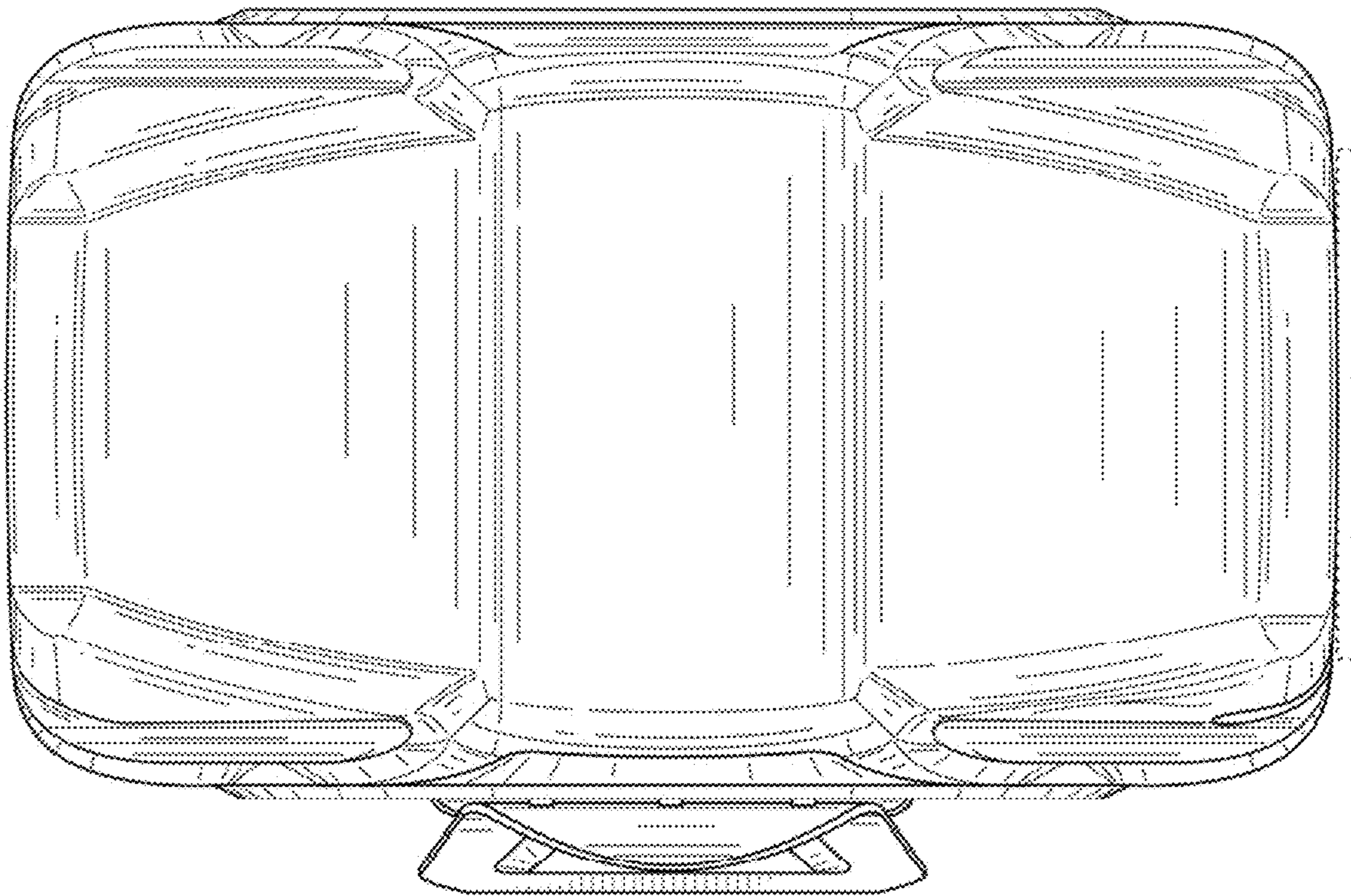


FIG. 5

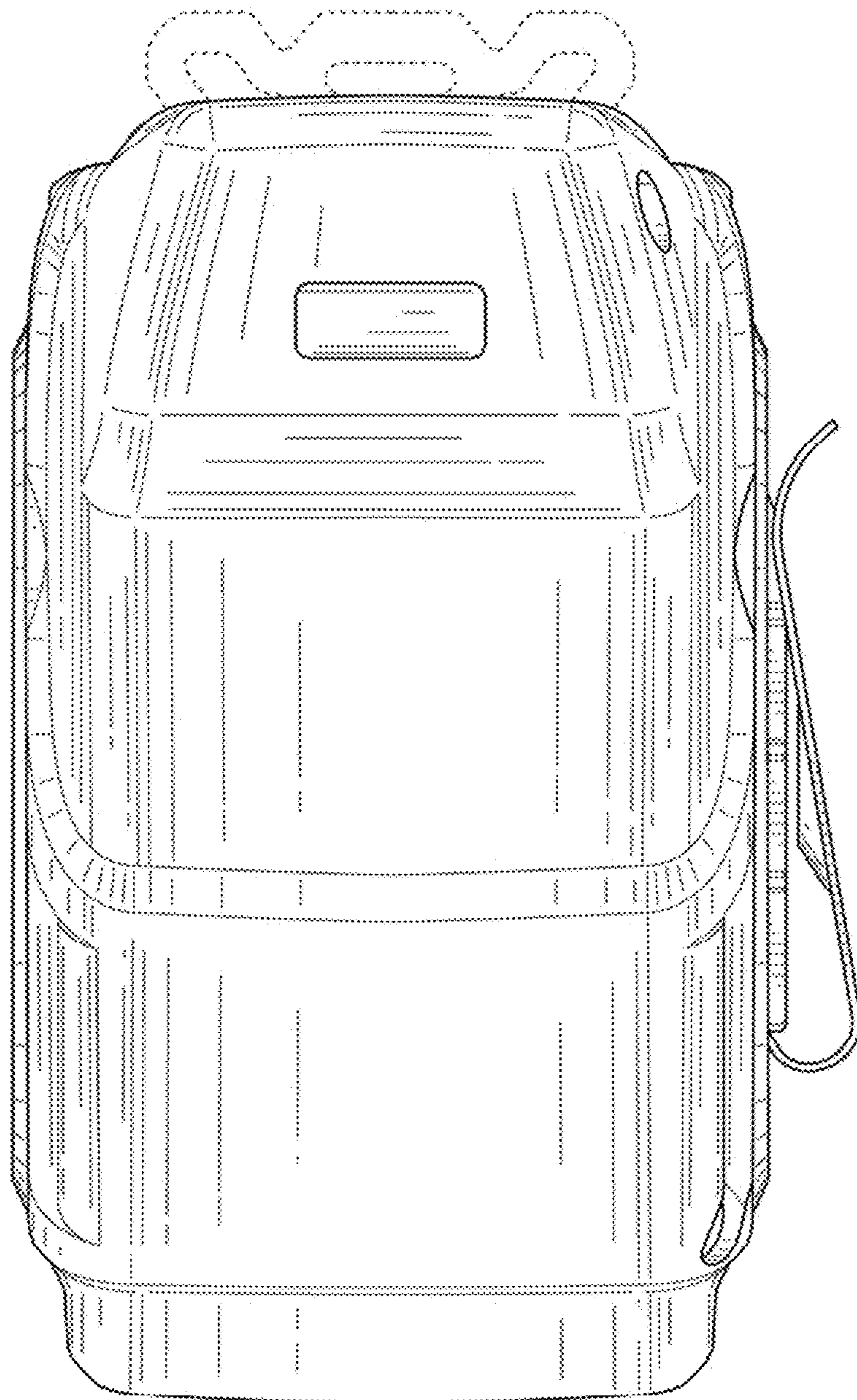


FIG. 6

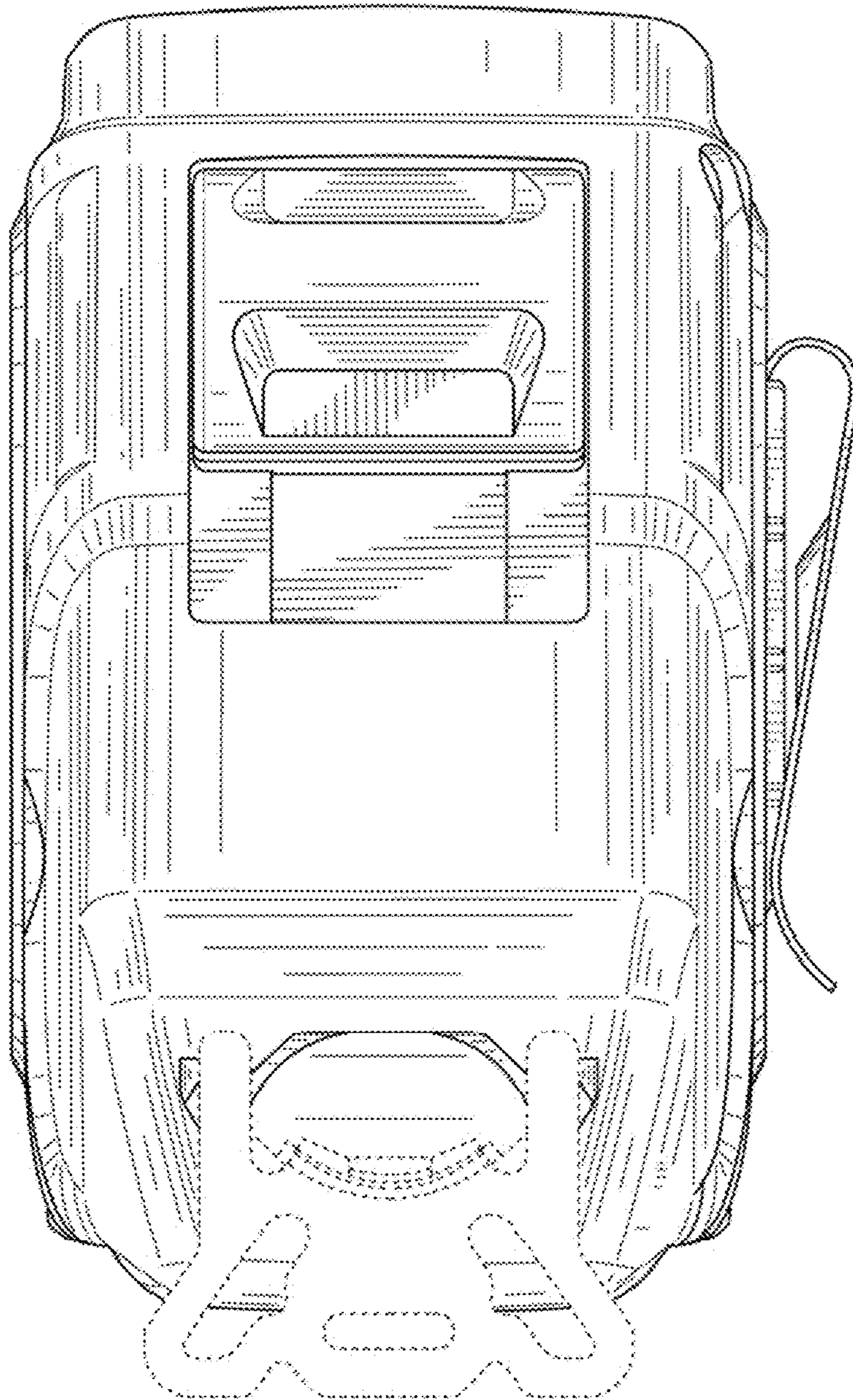


FIG. 7