

US00D878940S

(12) **United States Design Patent**  
**Königer et al.**

(10) **Patent No.:** **US D878,940 S**

(45) **Date of Patent:** **\*\* Mar. 24, 2020**

(54) **LASER MEASURING DEVICE**

(71) Applicant: **HILTI AKTIENGESELLSCHAFT**,  
Schaan (LI)

(72) Inventors: **Tobias König**, Bregenz (AT);  
**Graham Keevy**, Aalen (DE); **Peter Simon**, Aalen (DE)

(73) Assignee: **Hilti Aktiengesellschaft**, Schaan (LI)

(\*\*) Term: **15 Years**

(21) Appl. No.: **35/506,436**

(22) Filed: **Sep. 12, 2018**

(80) **Hague Agreement Data**

Int. Filing Date: **Sep. 12, 2018**  
Int. Reg. No.: **DM/102855**  
Int. Reg. Date: **Sep. 12, 2018**  
Int. Reg. Pub. Date: **Mar. 15, 2019**

(30) **Foreign Application Priority Data**

Mar. 16, 2018 (LI) ..... 2018-241

(51) **LOC (12) Cl.** ..... **10-40**

(52) **U.S. Cl.**  
USPC ..... **D10/70**

(58) **Field of Classification Search**  
USPC ..... D10/66, 70  
See application file for complete search history.

(56) **References Cited**

**U.S. PATENT DOCUMENTS**

D668,976 S \* 10/2012 Stilz ..... D10/69  
D688,577 S \* 8/2013 Steffey ..... D10/66  
D700,082 S \* 2/2014 Travis ..... D10/70  
D702,572 S \* 4/2014 Sun ..... D10/66

D723,398 S \* 3/2015 Ishii ..... D10/66  
D742,259 S \* 11/2015 Schulze ..... D10/70  
D753,520 S \* 4/2016 Takenaka ..... D10/106.1  
D766,757 S \* 9/2016 Matteo ..... D10/70  
D767,419 S \* 9/2016 Matteo ..... D10/70  
D814,950 S \* 4/2018 Inskeep ..... D10/70  
D852,070 S \* 6/2019 Lu ..... D10/65  
D869,965 S \* 12/2019 Taniguchi ..... D10/46

\* cited by examiner

*Primary Examiner* — Michael A. Pratt

(74) *Attorney, Agent, or Firm* — Crowell & Moring LLP

(57) **CLAIM**

The ornamental design for laser measuring device, as shown and described.

**DESCRIPTION**

The patent or application file contains at least one drawing executed in color. Copies of this patent or patent application publication with color drawing(s) will be provided by the Office upon request and payment of the necessary fee.

1.-2. Laser measuring devices

1.1 : Perspective

1.2 : Front

1.3 : Back

1.4 : Top

1.5 : Bottom

1.6 : Left

1.7 : Right

2.1 : Perspective

2.2 : Front

2.3 : Back

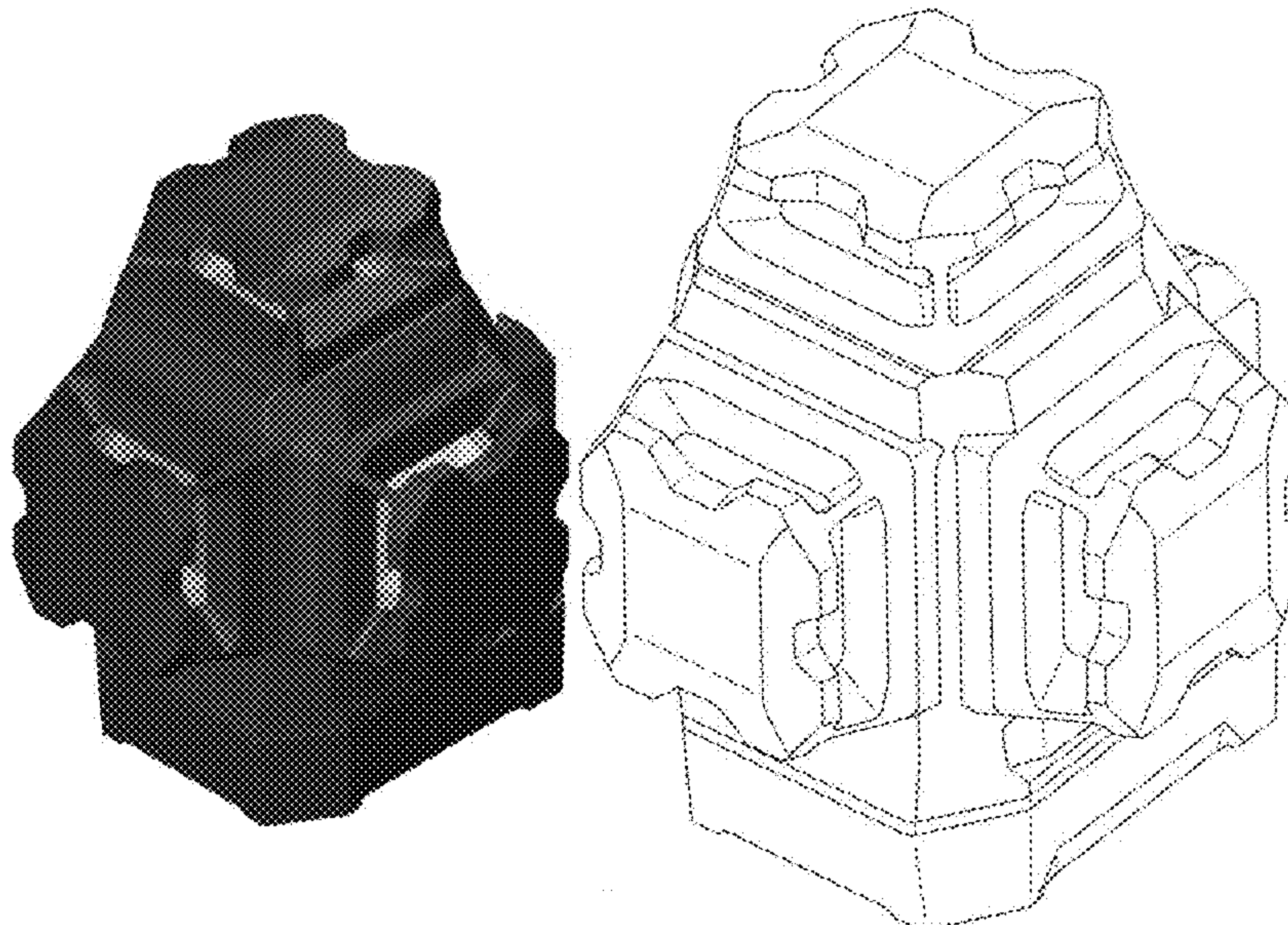
2.4 : Top

2.5 : Bottom

2.6 : Left

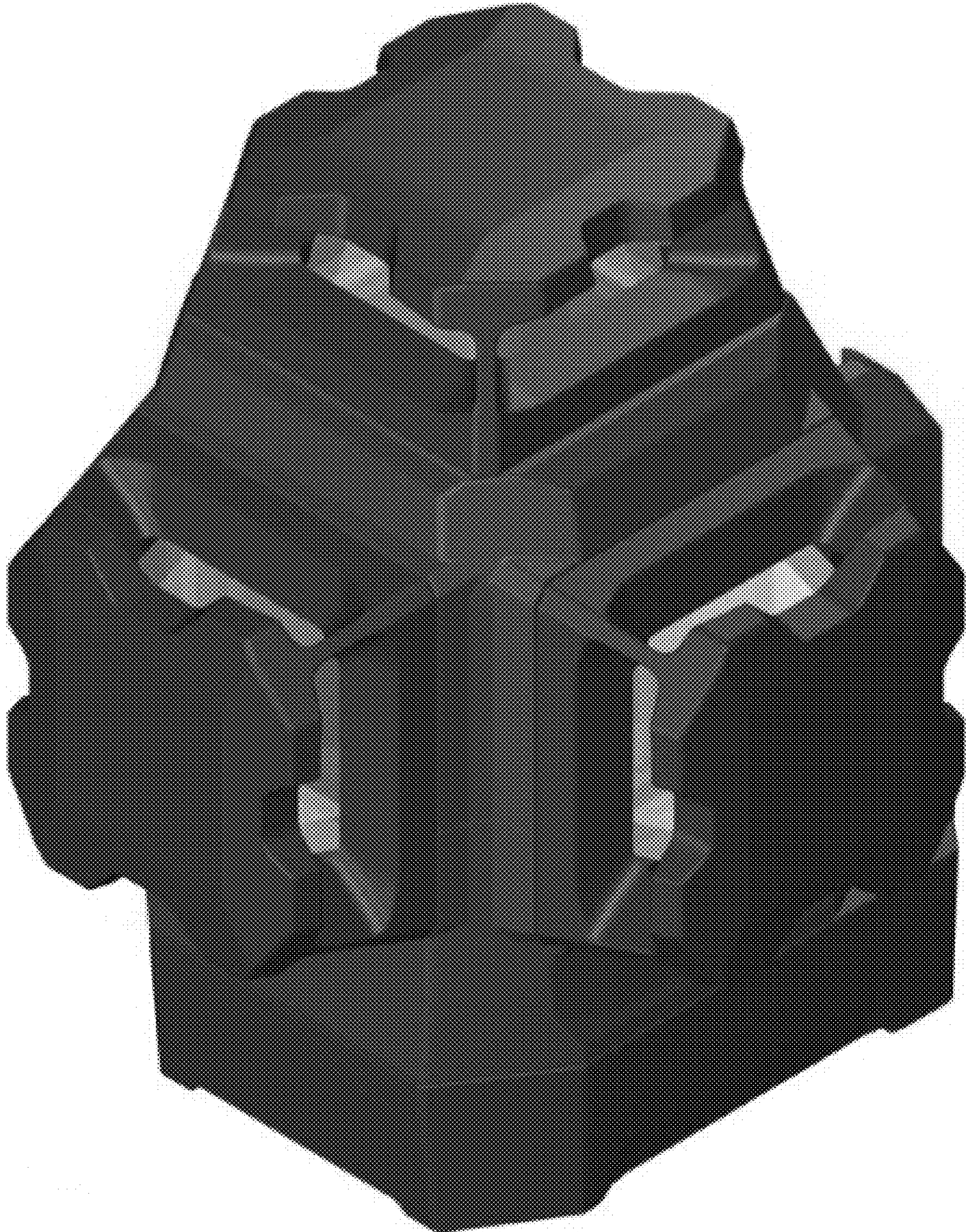
2.7 : Right

**1 Claim, 14 Drawing Sheets**  
**(7 of 14 Drawing Sheet(s) Filed in Color)**





# 1.1





1.2





1.3





1.4





1.5





1.6



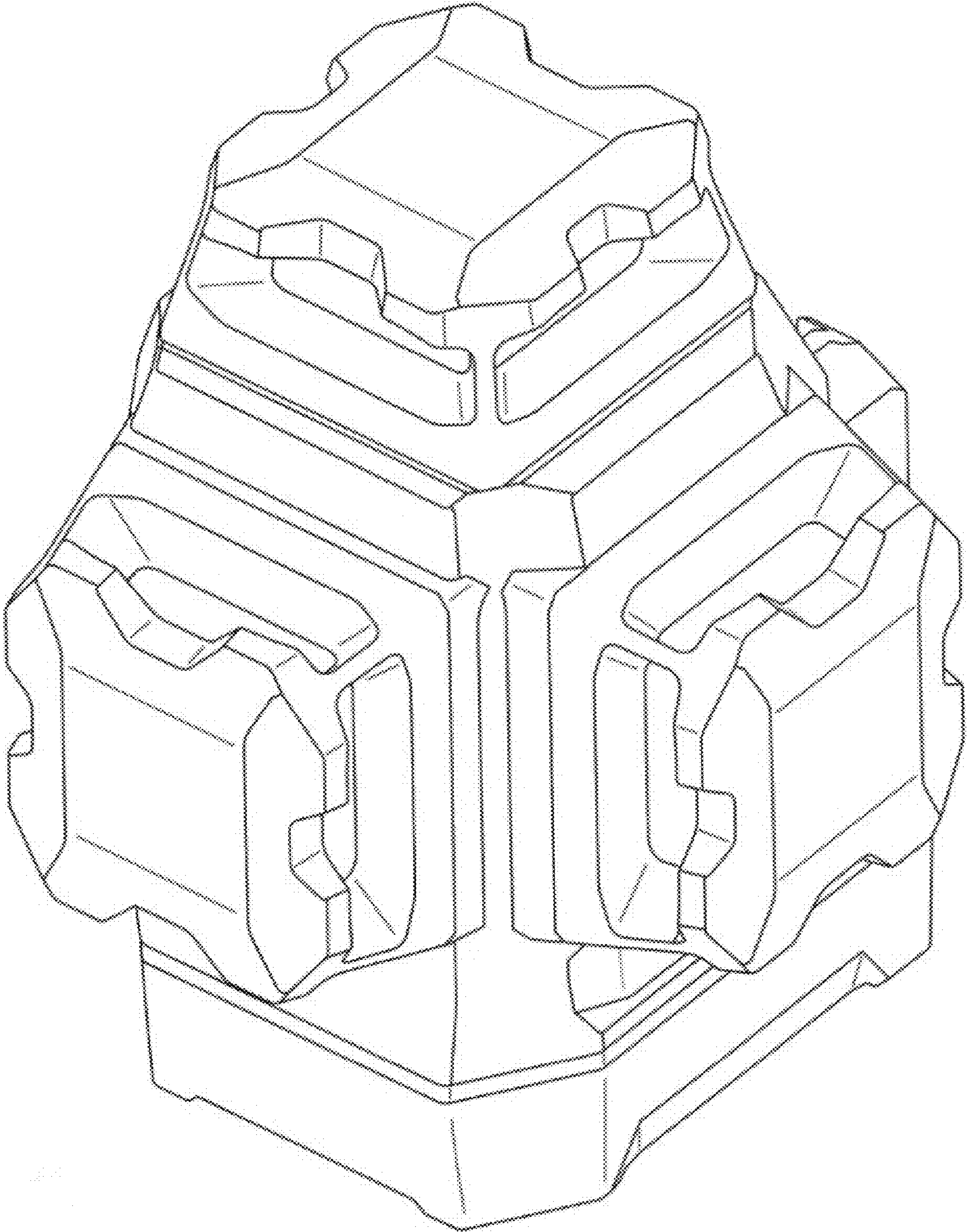


1.7



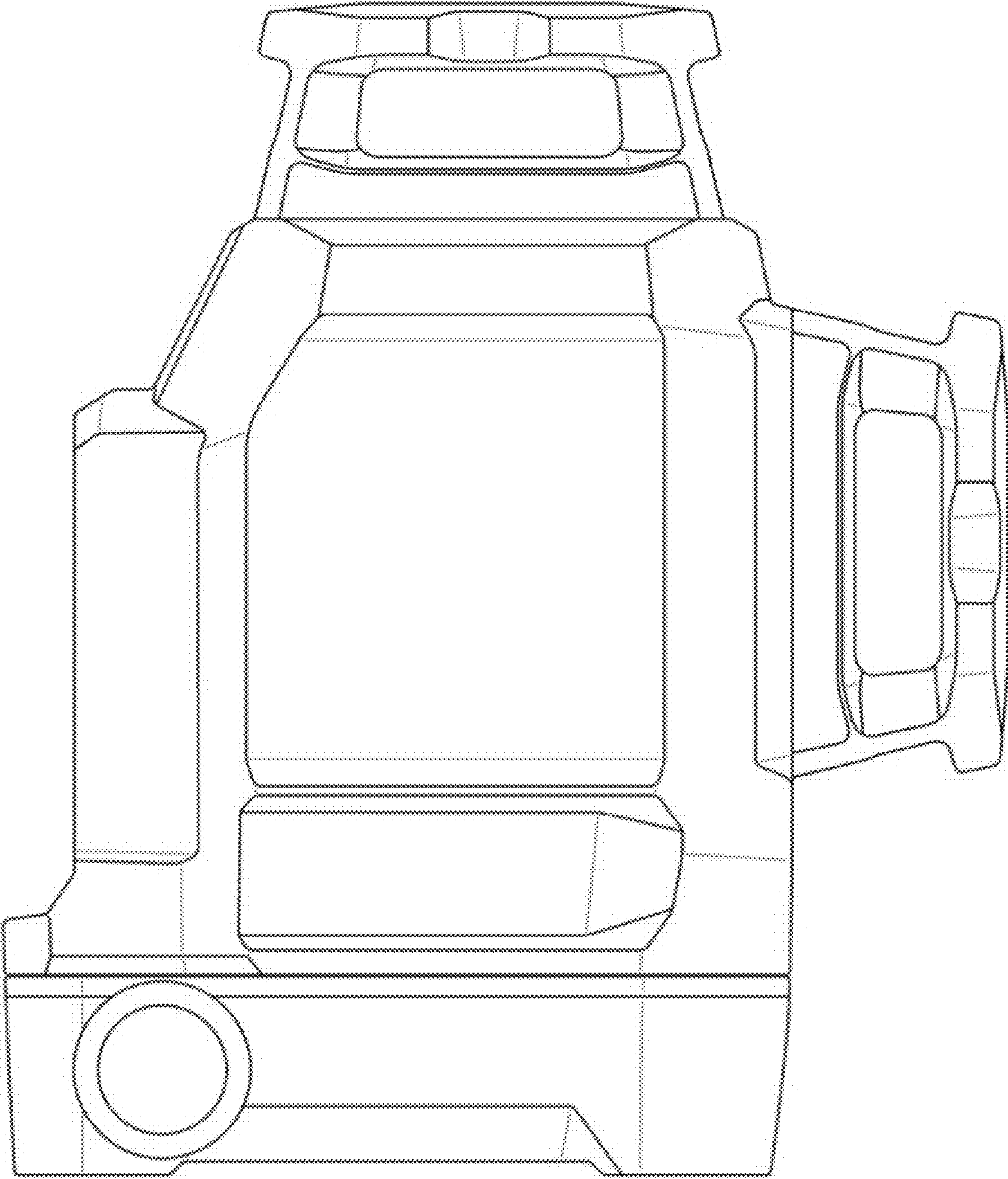


2.1



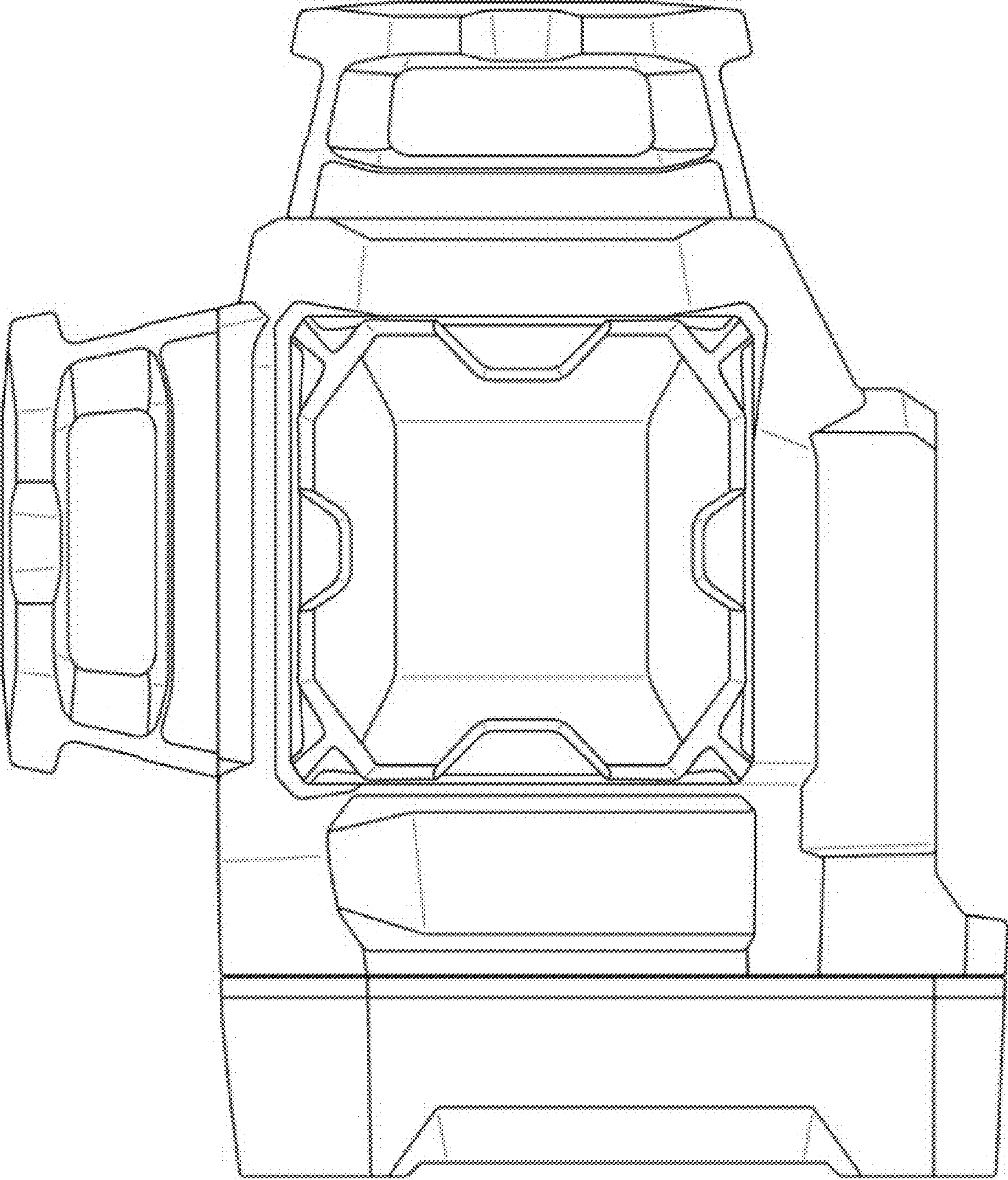


2.2



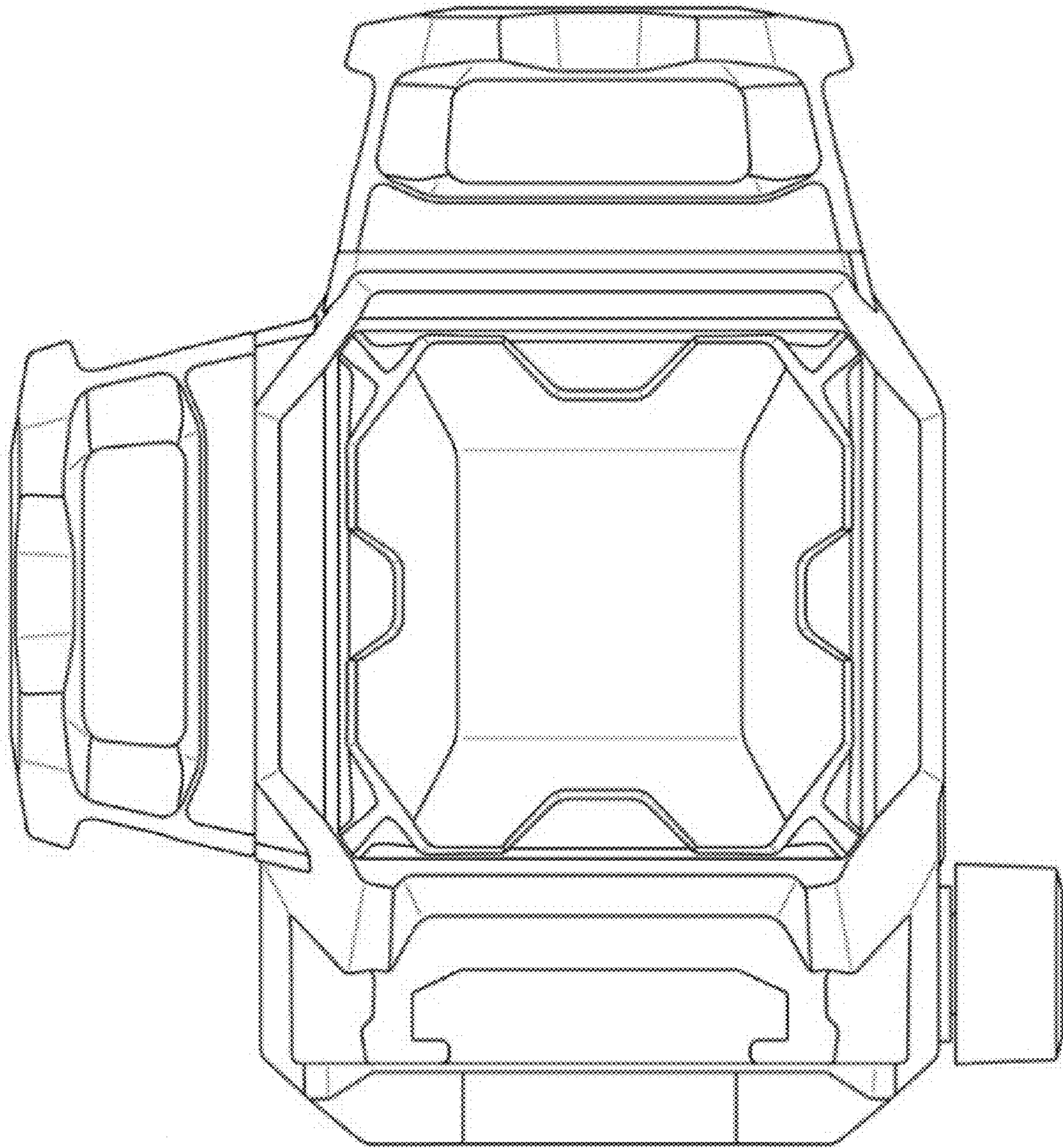


2.3



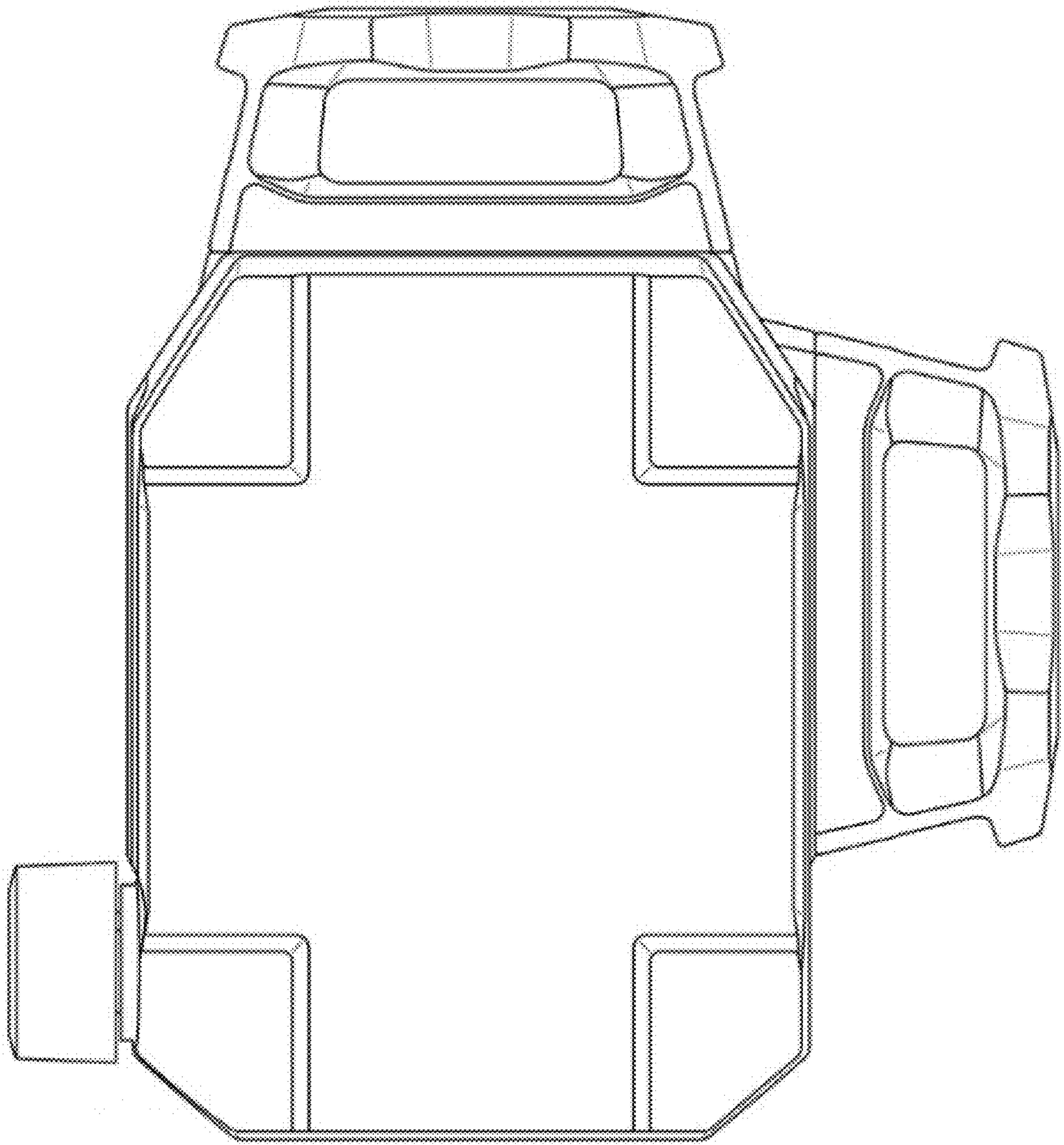


# 2.4



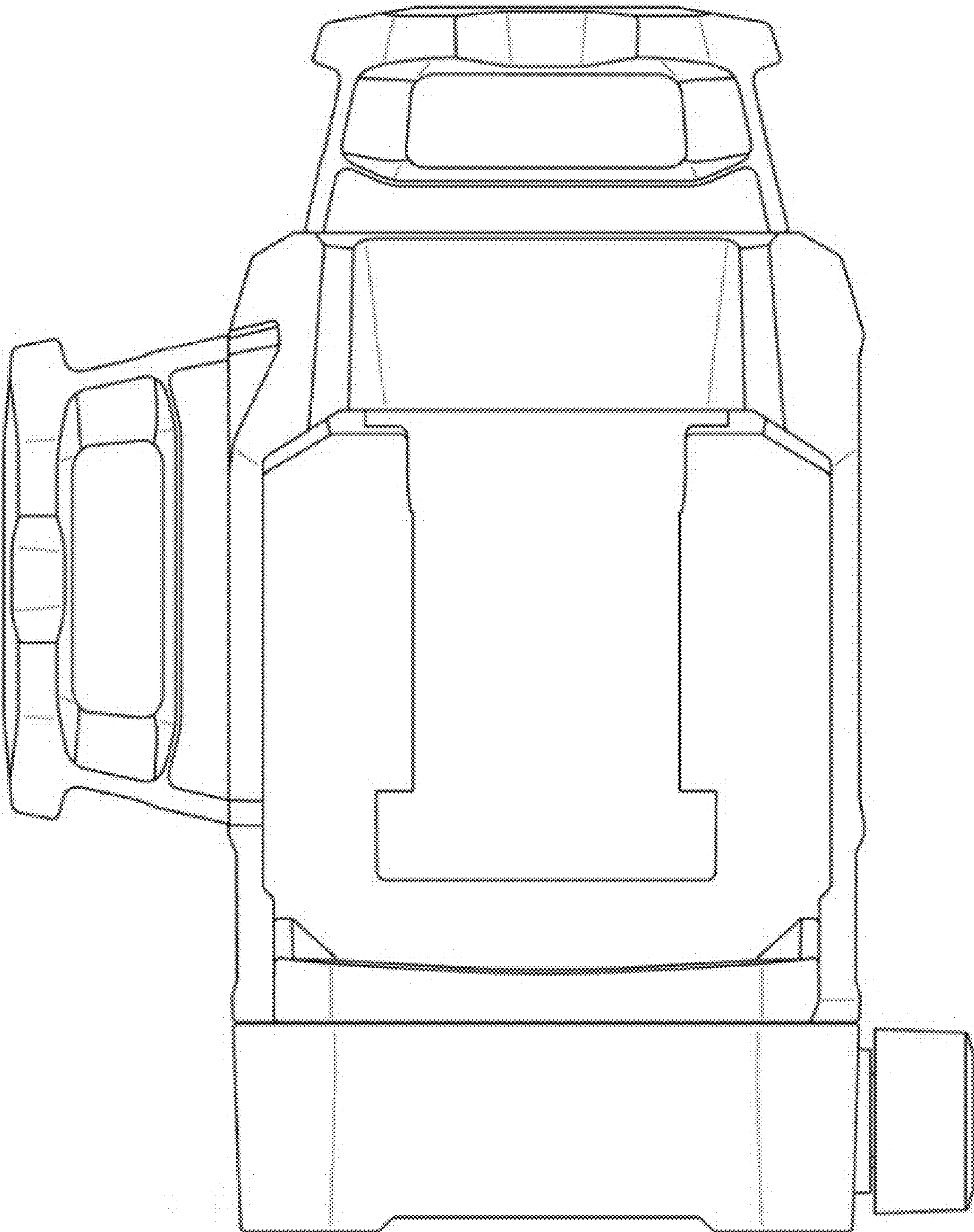


2.5





# 2.6





# 2.7

