



US00D878939S

(12) **United States Design Patent**  
**Wu**

(10) **Patent No.:** **US D878,939 S**  
(45) **Date of Patent:** **\*\* Mar. 24, 2020**

(54) **DOVETAIL MARKER**

(71) Applicant: **Gooray Inc.**, Brighton, CO (US)  
(72) Inventor: **Chunsheng Wu**, Zhongshan (CN)  
(\*\*) Term: **15 Years**

(21) Appl. No.: **29/674,704**

(22) Filed: **Dec. 24, 2018**

(51) **LOC (12) Cl.** ..... **10-04**

(52) **U.S. Cl.**  
USPC ..... **D10/65**

(58) **Field of Classification Search**

USPC ..... D10/64, 65  
CPC .... B27F 1/00; B27F 1/005; B27F 1/02; B27F 1/04; B27F 1/06; B27F 1/08; B27F 1/10; B27F 1/12; B27F 1/14; B27F 1/16  
See application file for complete search history.

(56) **References Cited**

**U.S. PATENT DOCUMENTS**

1,827,156 A \* 10/1931 Martin ..... B27F 1/14  
33/197

\* cited by examiner

*Primary Examiner* — Antoine Duval Davis

(74) *Attorney, Agent, or Firm* — Wayne V. Harper

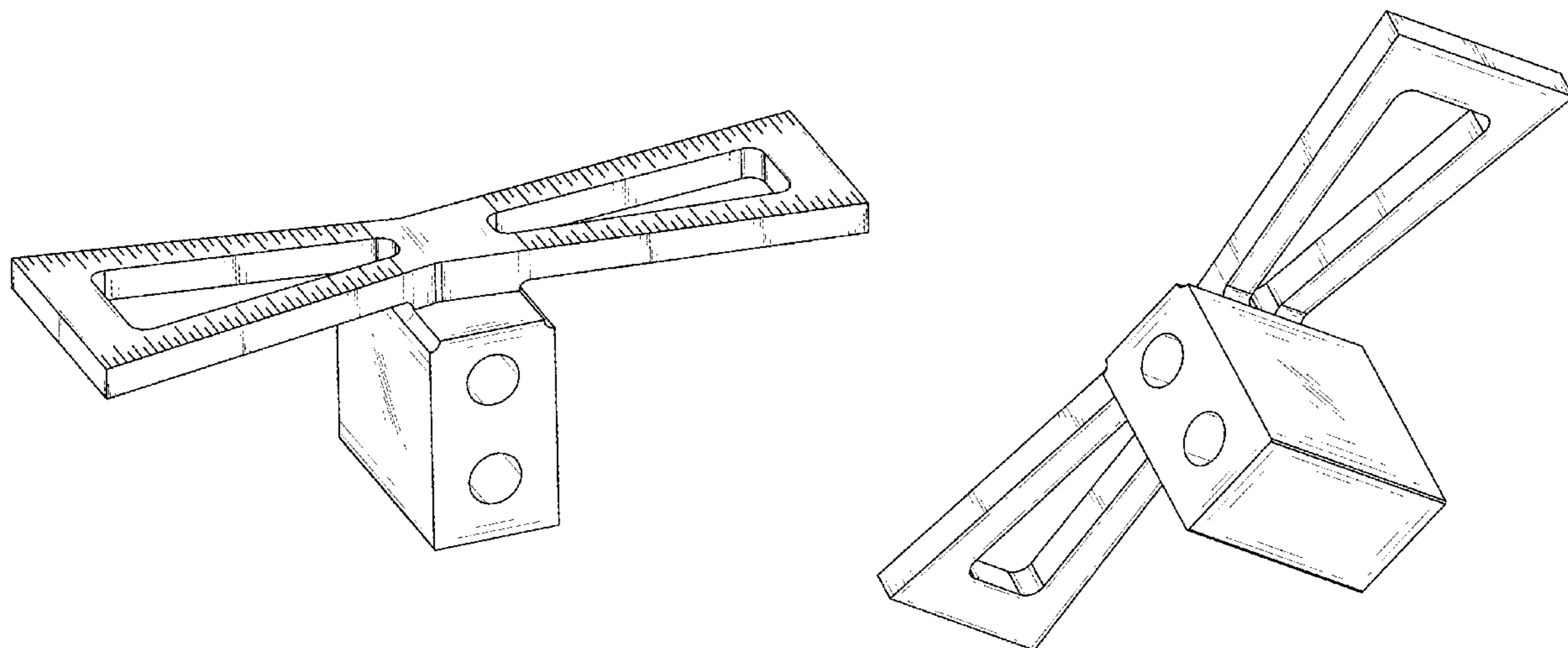
(57) **CLAIM**

I claim the ornamental design for a dovetail marker, as shown and described.

**DESCRIPTION**

FIG. 1 is a perspective view of a dovetail marker showing my new design;  
FIG. 2 is another perspective view of the dovetail marker as shown in FIG. 1;  
FIG. 3 is yet another perspective view of the dovetail marker as shown in FIG. 1;  
FIG. 4 is a top view of the dovetail marker as shown in FIG. 1;  
FIG. 5 is a bottom view of the dovetail marker as shown in FIG. 1;  
FIG. 6 is a front view of the dovetail marker as shown in FIG. 1;  
FIG. 7 is a back view of the dovetail marker as shown in FIG. 1;  
FIG. 8 is a left-side view of the dovetail marker as shown in FIG. 1; and,  
FIG. 9 is a right-side view of the dovetail marker as shown in FIG. 1.  
No particular colour scheme forms part of the claimed design.

**1 Claim, 6 Drawing Sheets**



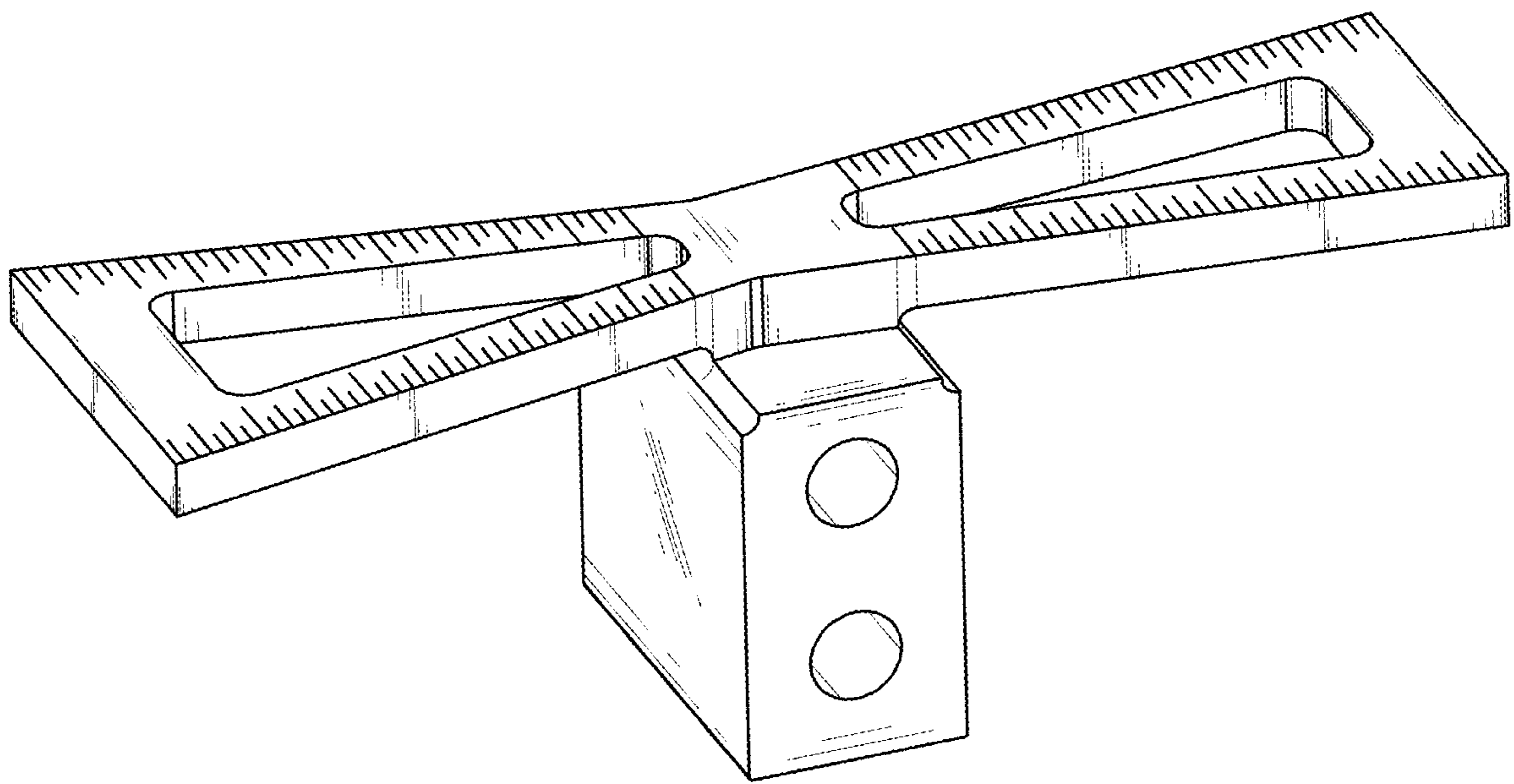


FIG. 1

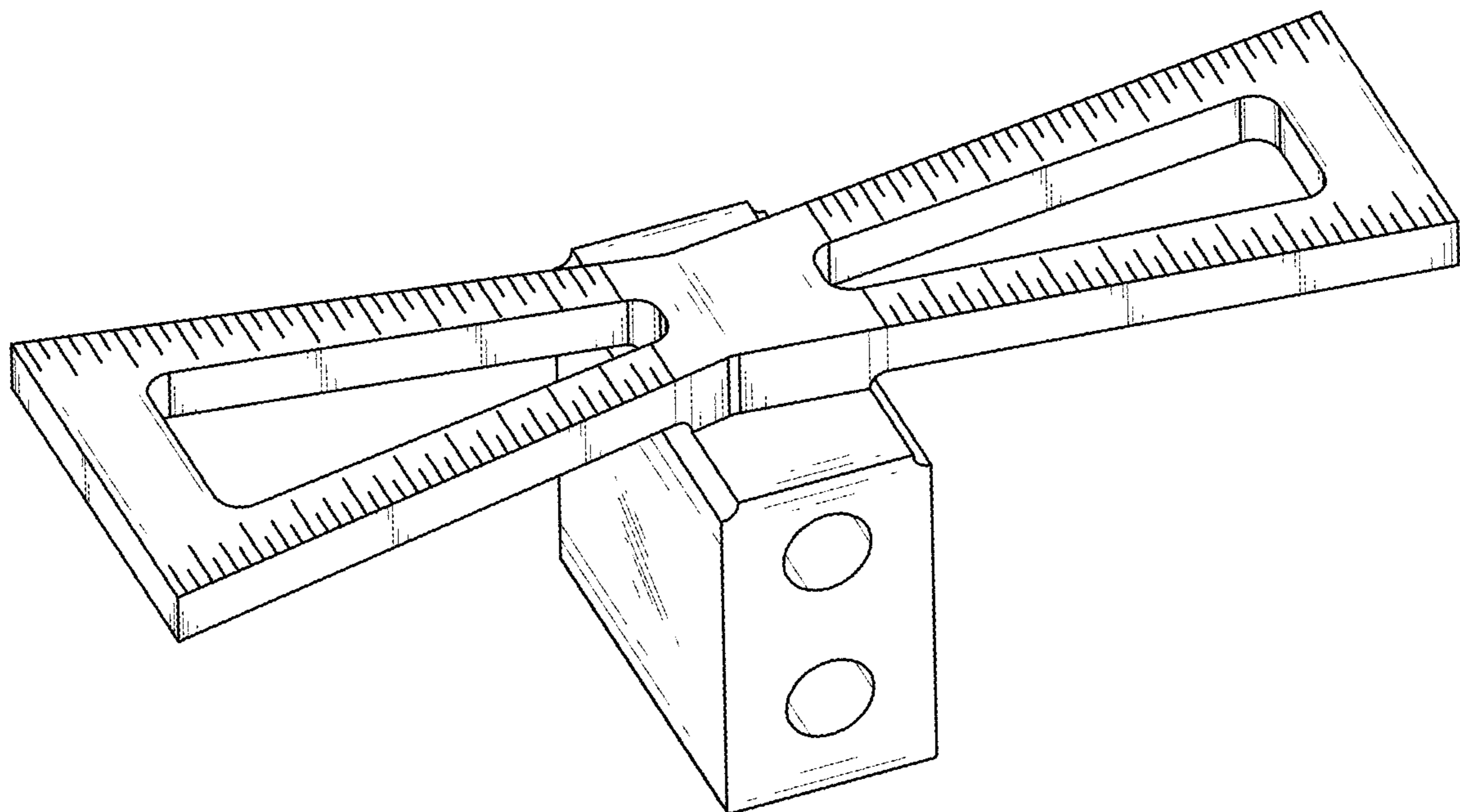


FIG. 2

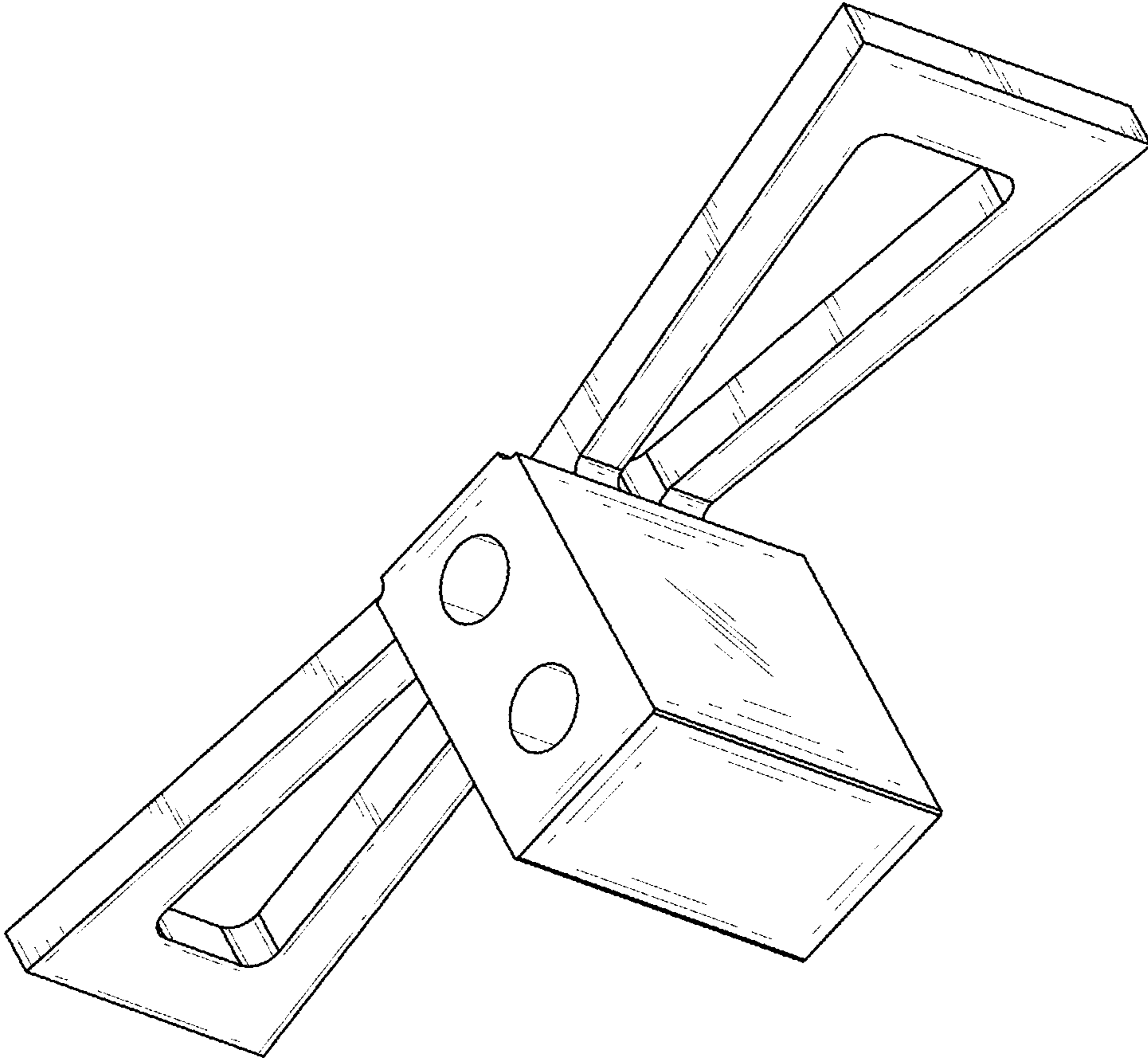


FIG. 3

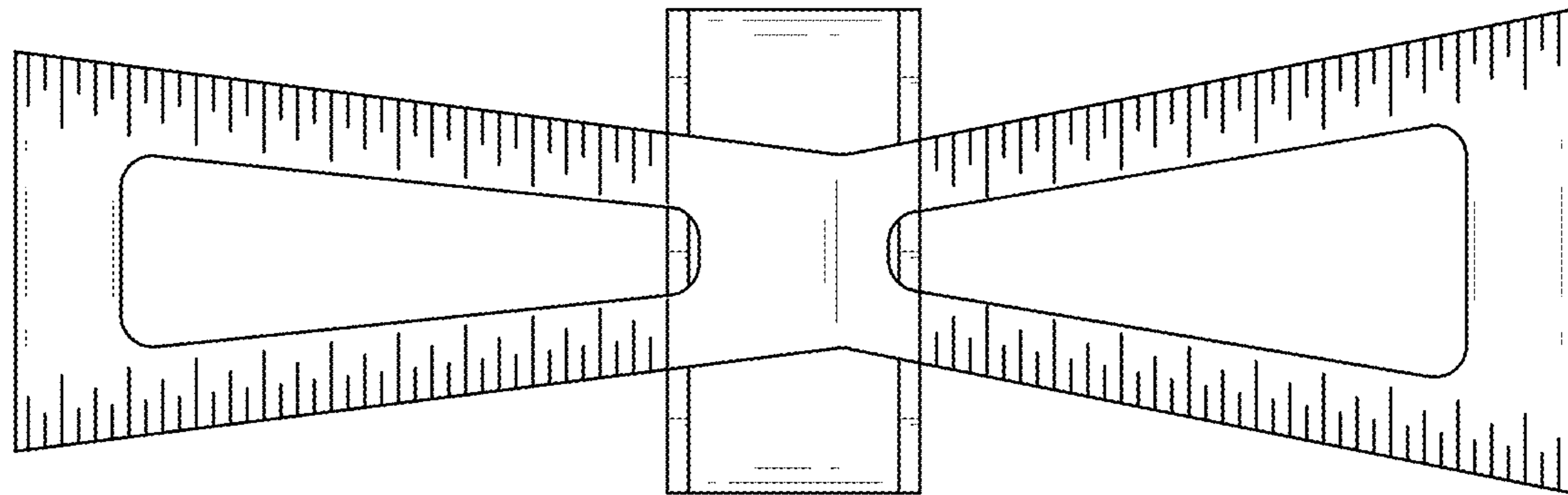


FIG. 4

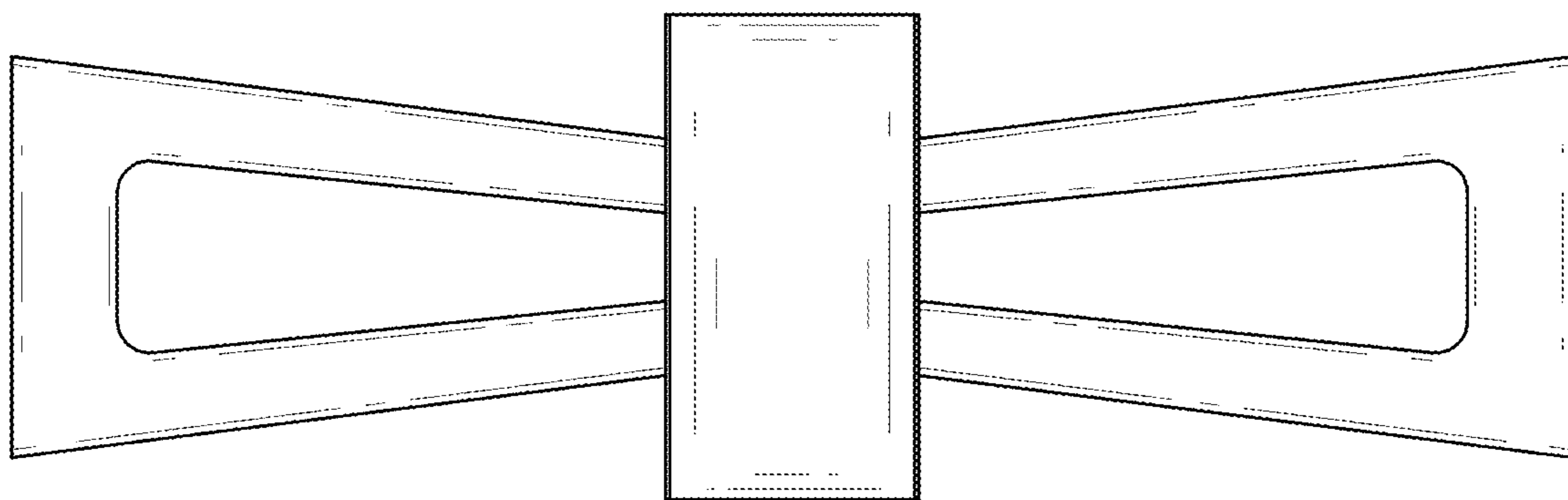


FIG. 5

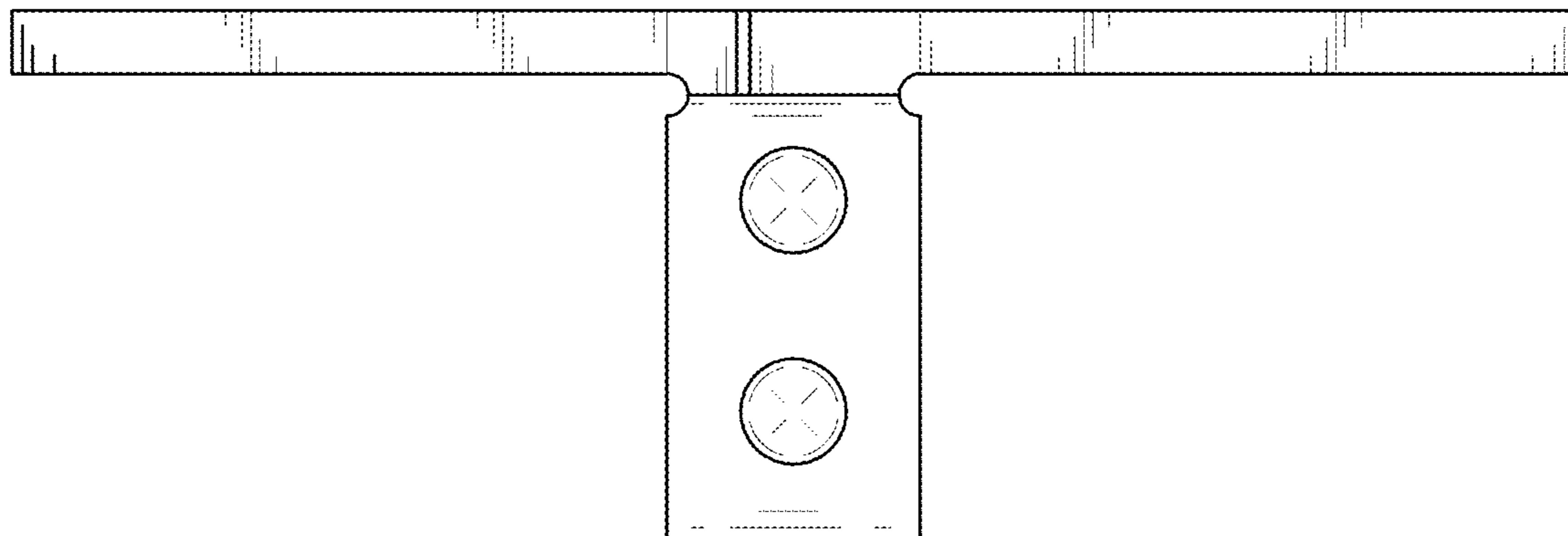


FIG. 6

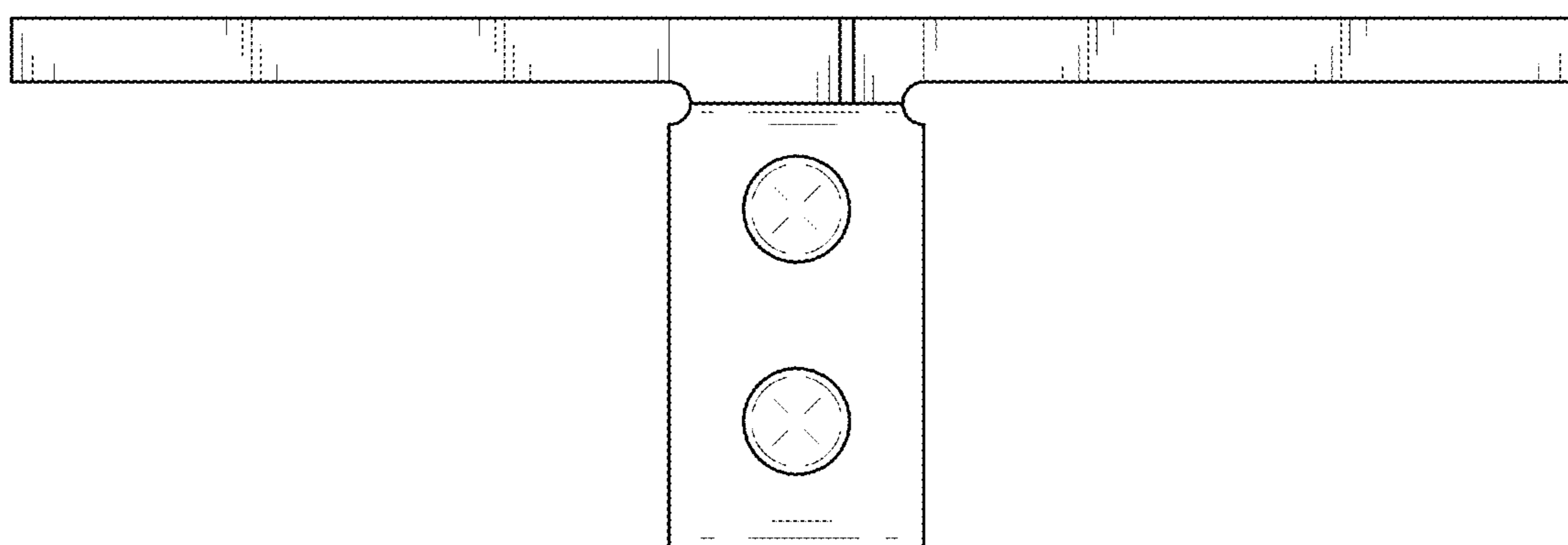


FIG. 7

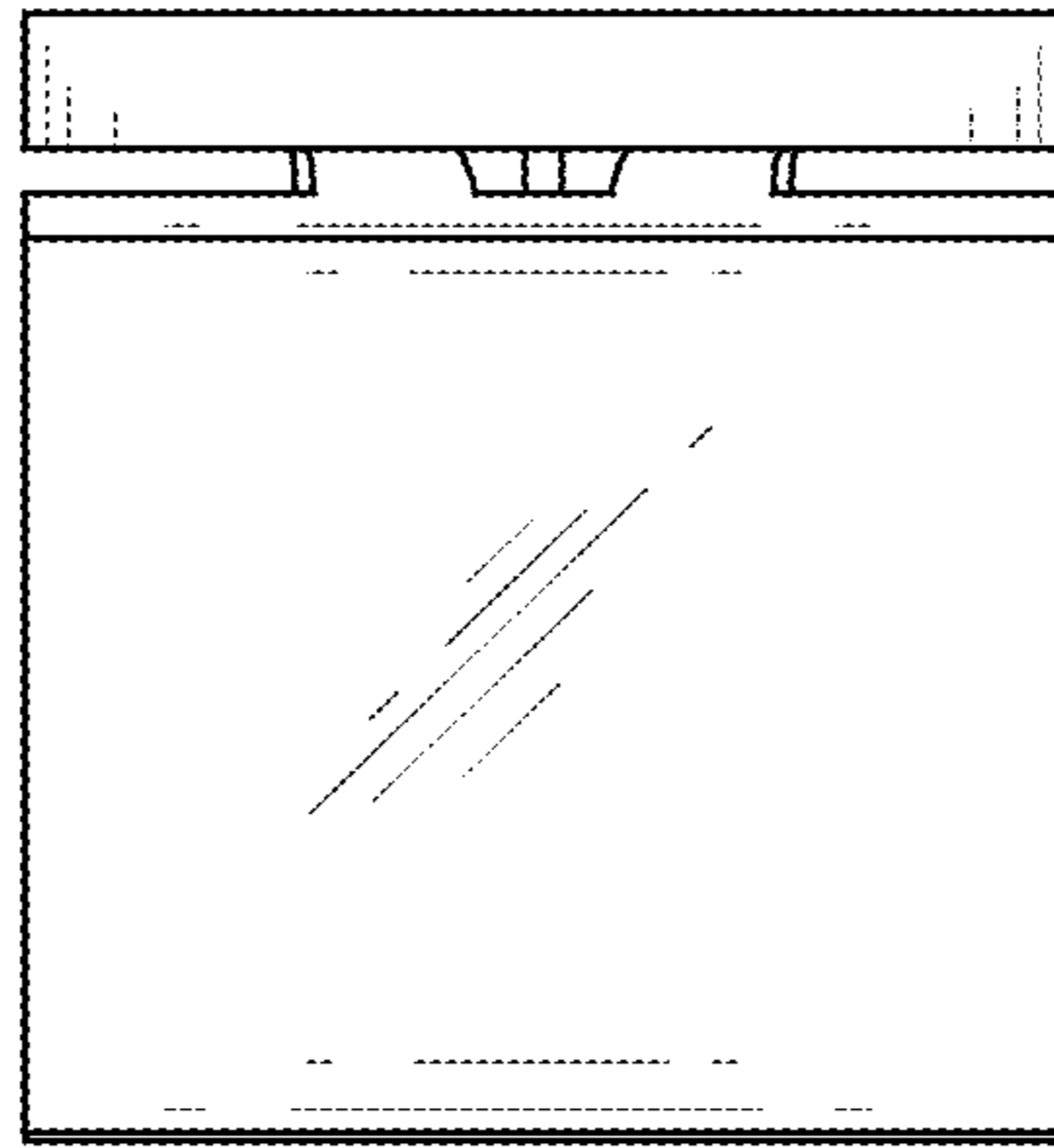


FIG. 8

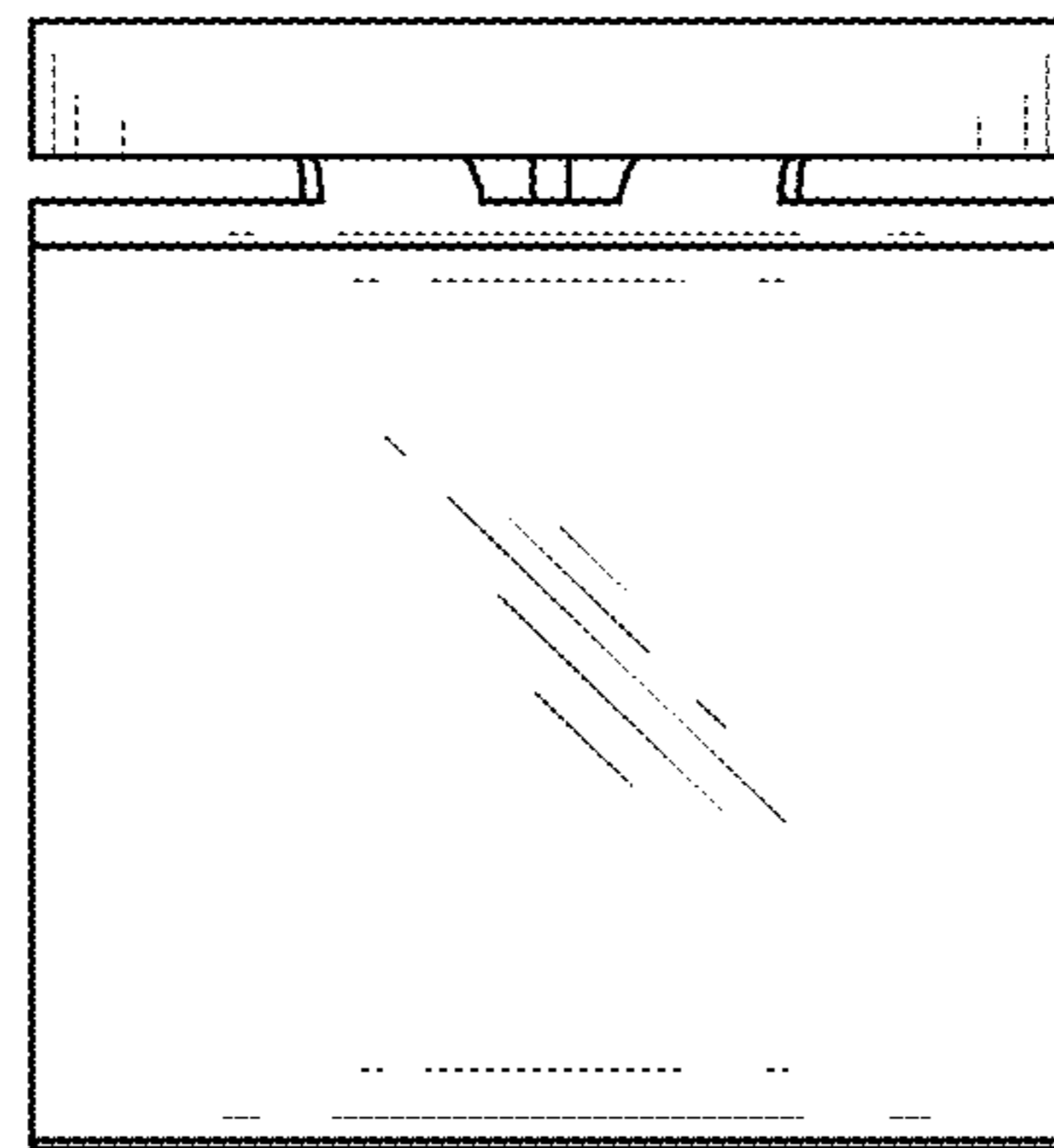


FIG. 9