

US00D878938S

(12) **United States Design Patent** (10) **Patent No.:** **US D878,938 S**
Cross (45) **Date of Patent:** **** Mar. 24, 2020**

(54) **JIG FOR USE WITH BUSHING BOLT ASSEMBLY**

Primary Examiner — Antoine Duval Davis

(71) Applicant: **Woodpeckers, LLC**, Strongsville, OH (US)

(74) *Attorney, Agent, or Firm* — Sand, Sebolt & Wernow Co., LPA

(72) Inventor: **Steven Charles Cross**, Mentor, OH (US)

(57) **CLAIM**

(73) Assignee: **Woodpeckers, LLC**, Strongsville, OH (US)

The ornamental design for a jig for use with a bushing bolt assembly, as shown and described.

(**) Term: **15 Years**

DESCRIPTION

(21) Appl. No.: **29/669,252**

(22) Filed: **Nov. 7, 2018**

(51) **LOC (12) Cl.** **10-04**

(52) **U.S. Cl.**
USPC **D10/64; D15/140**

(58) **Field of Classification Search**
USPC D10/64, 65, 70; D15/140
CPC ... E04B 1/4157; E04B 1/4164; E04G 21/185;
E04G 21/1858; E04G 21/1866
See application file for complete search history.

FIG. 1 is a front, top, right side isometric perspective view of a jig for use with bushing bolt assembly in accordance with my design;

FIG. 2 is a right side view thereof;

FIG. 3 is a left side view thereof;

FIG. 4 is a top elevation view thereof;

FIG. 5 is a bottom elevation view thereof;

FIG. 6 is a left side view thereof;

FIG. 7 is a right side view thereof; and,

FIG. 8 is a longitudinal sectional view of the left side taken along line 8 of FIG. 2.

The broken lines illustrate portions of the jig for use with bushing bolt assembly which form no part of the claimed design.

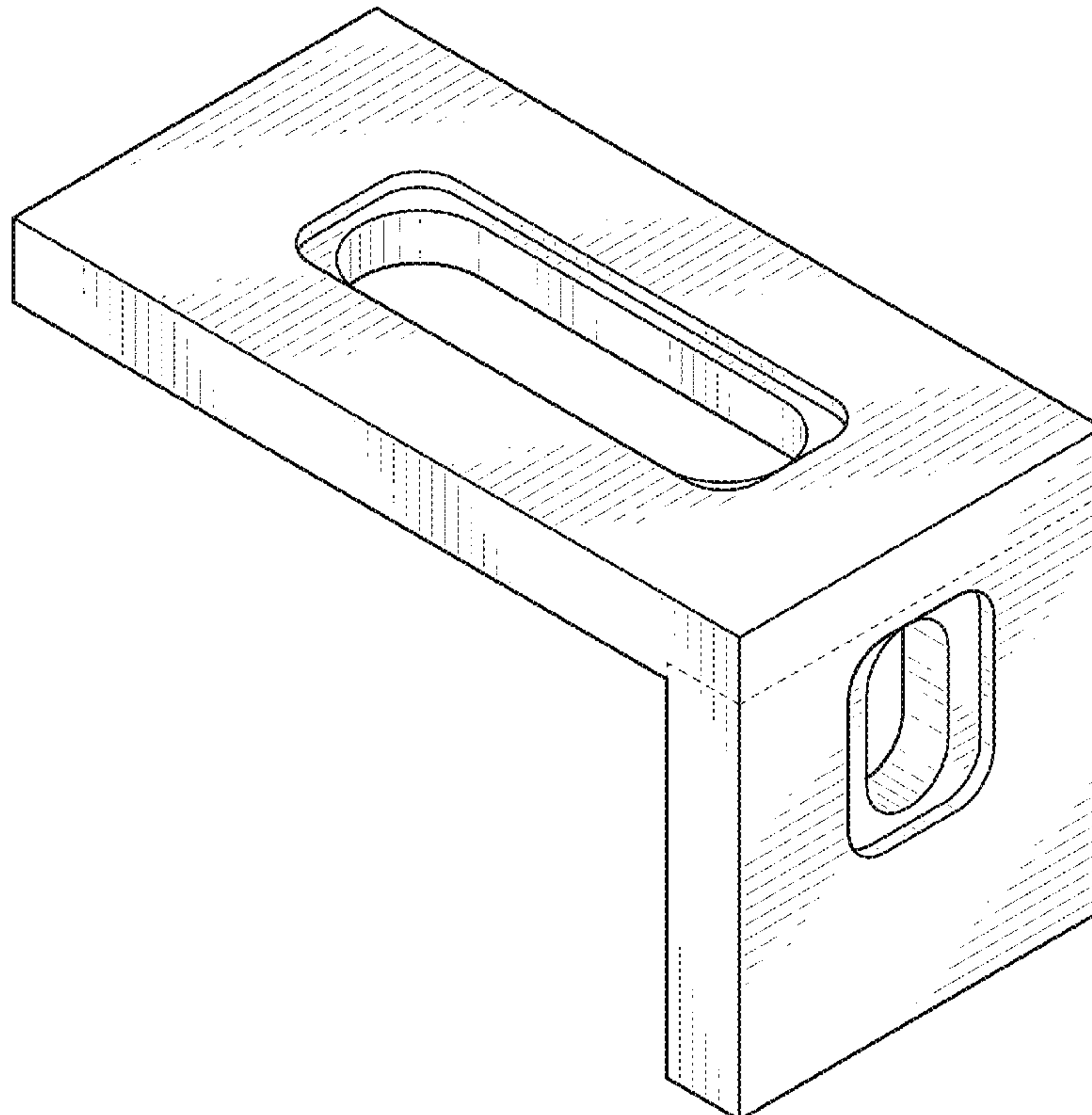
(56) **References Cited**

U.S. PATENT DOCUMENTS

D323,836 S * 2/1992 Woolman D15/140
8,051,621 B2 * 11/2011 Hatzinikolas E04G 21/185
52/379

* cited by examiner

1 Claim, 5 Drawing Sheets



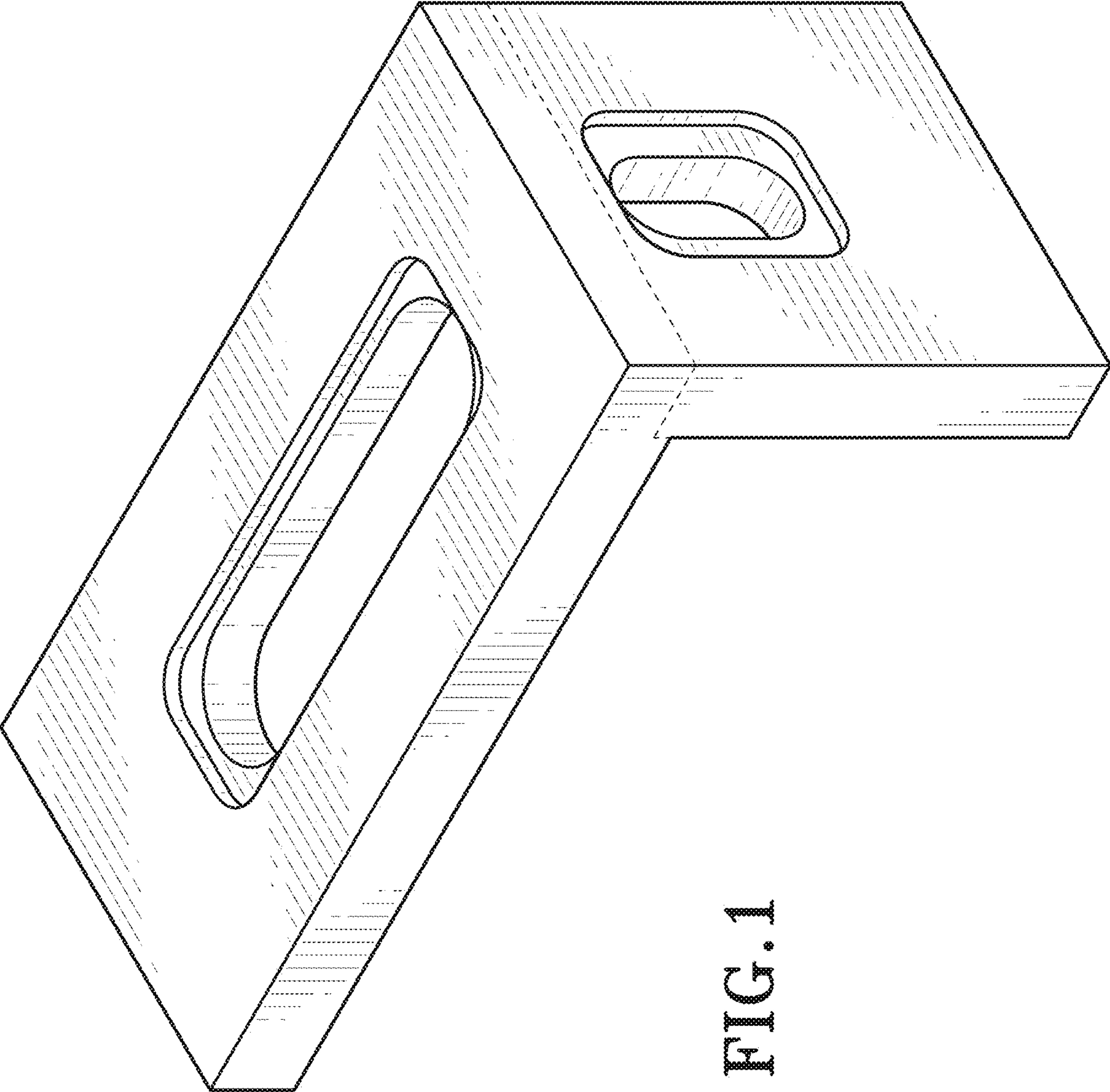


FIG. 1

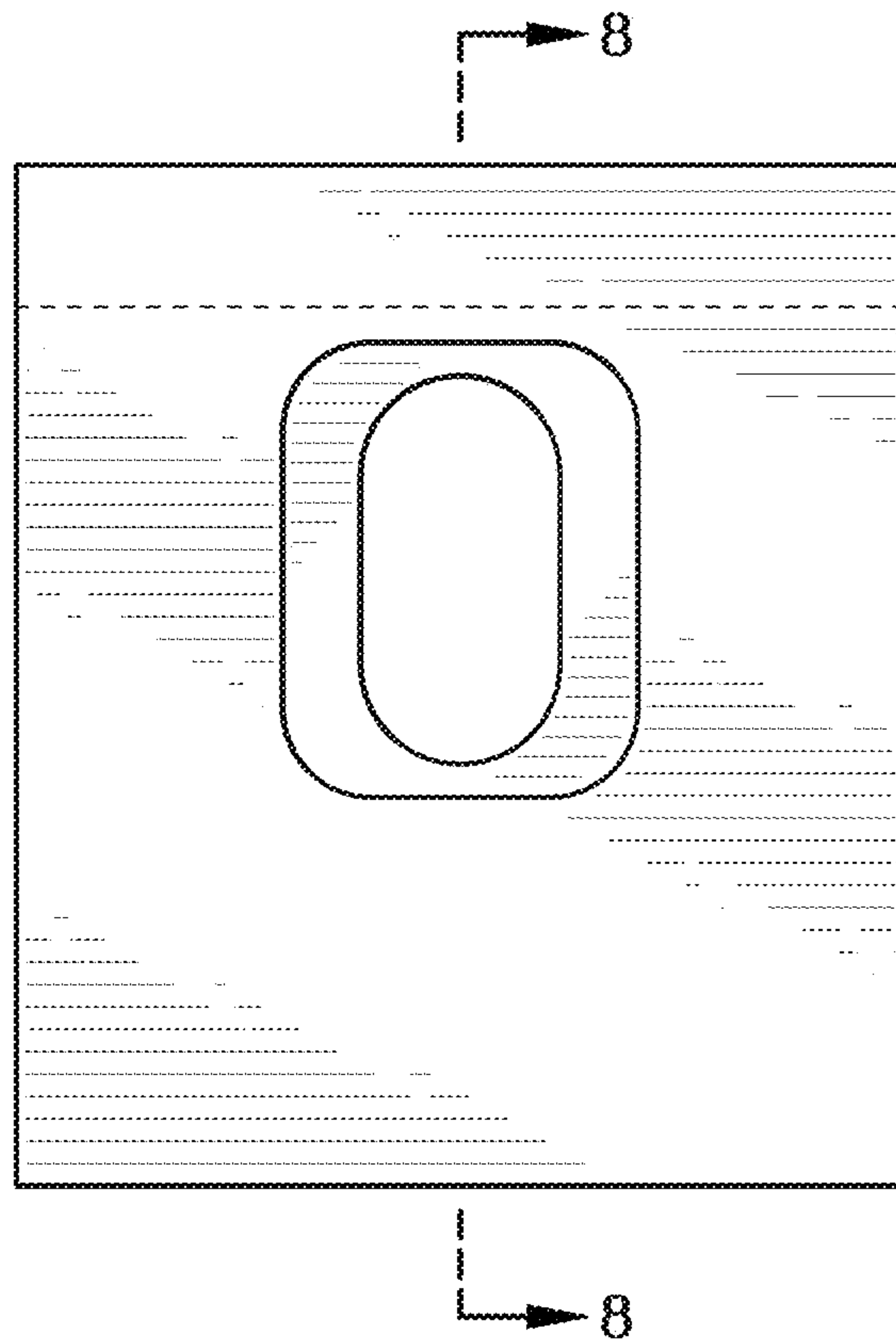


FIG. 2

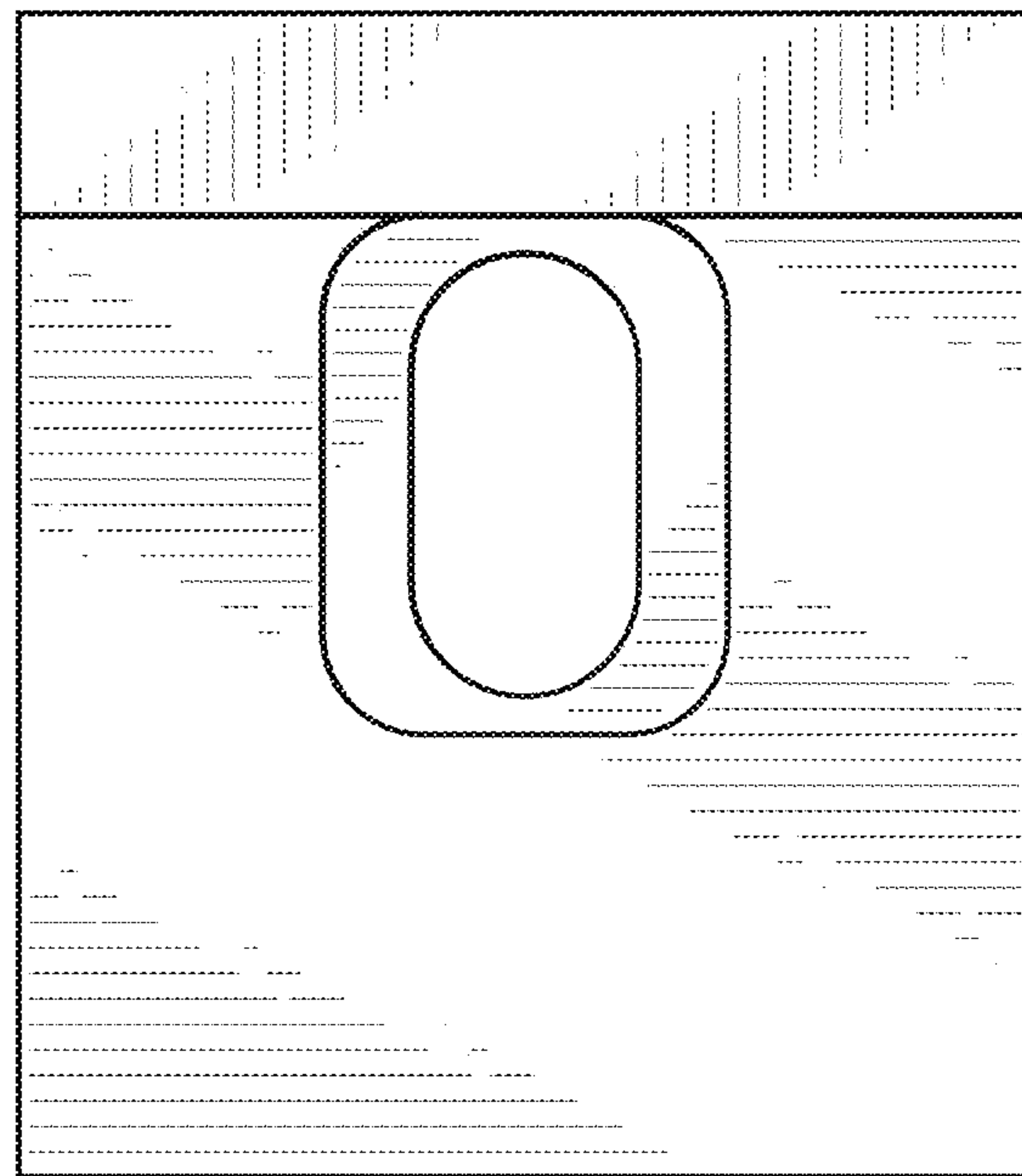


FIG. 3

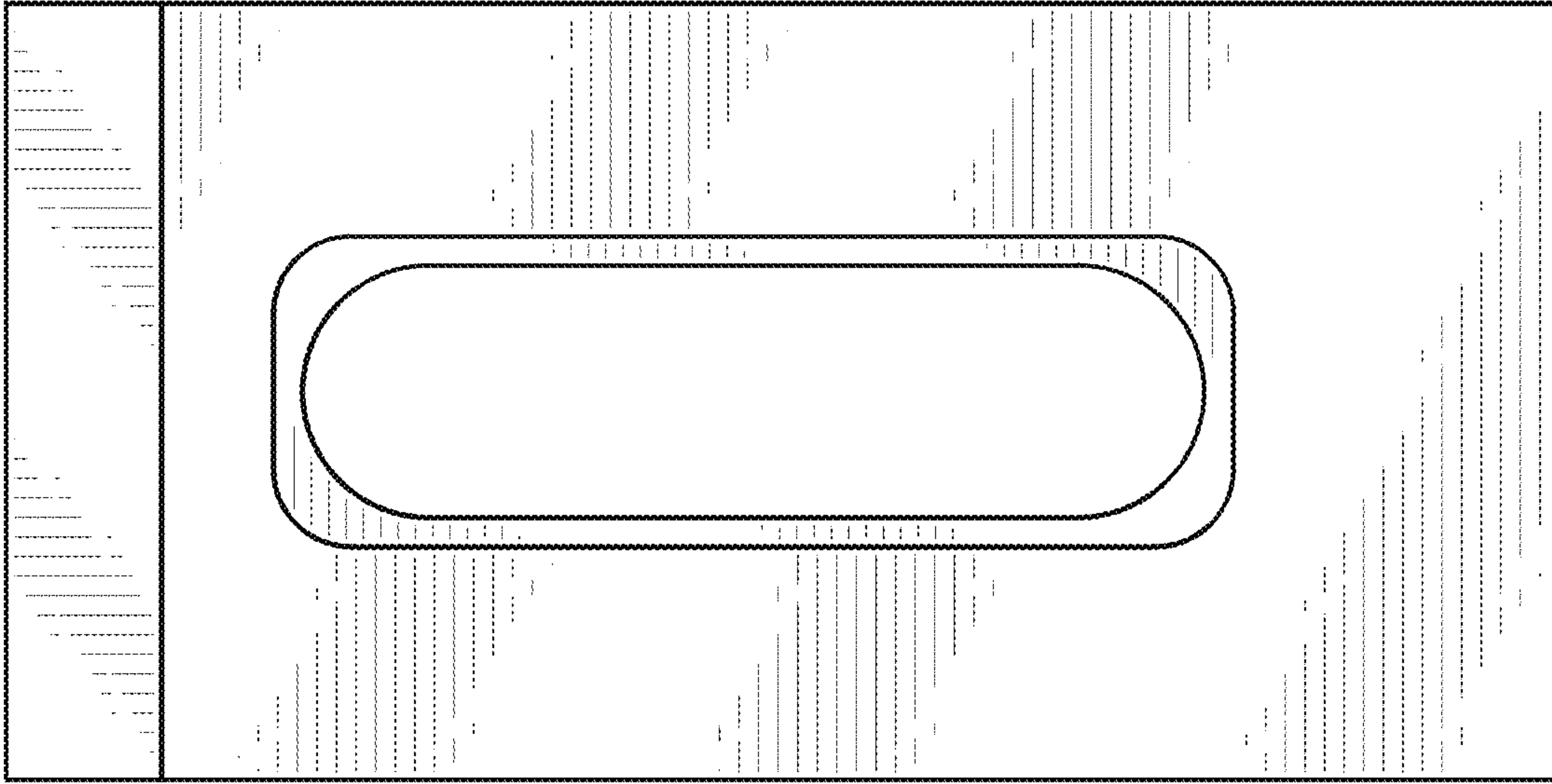


FIG. 5

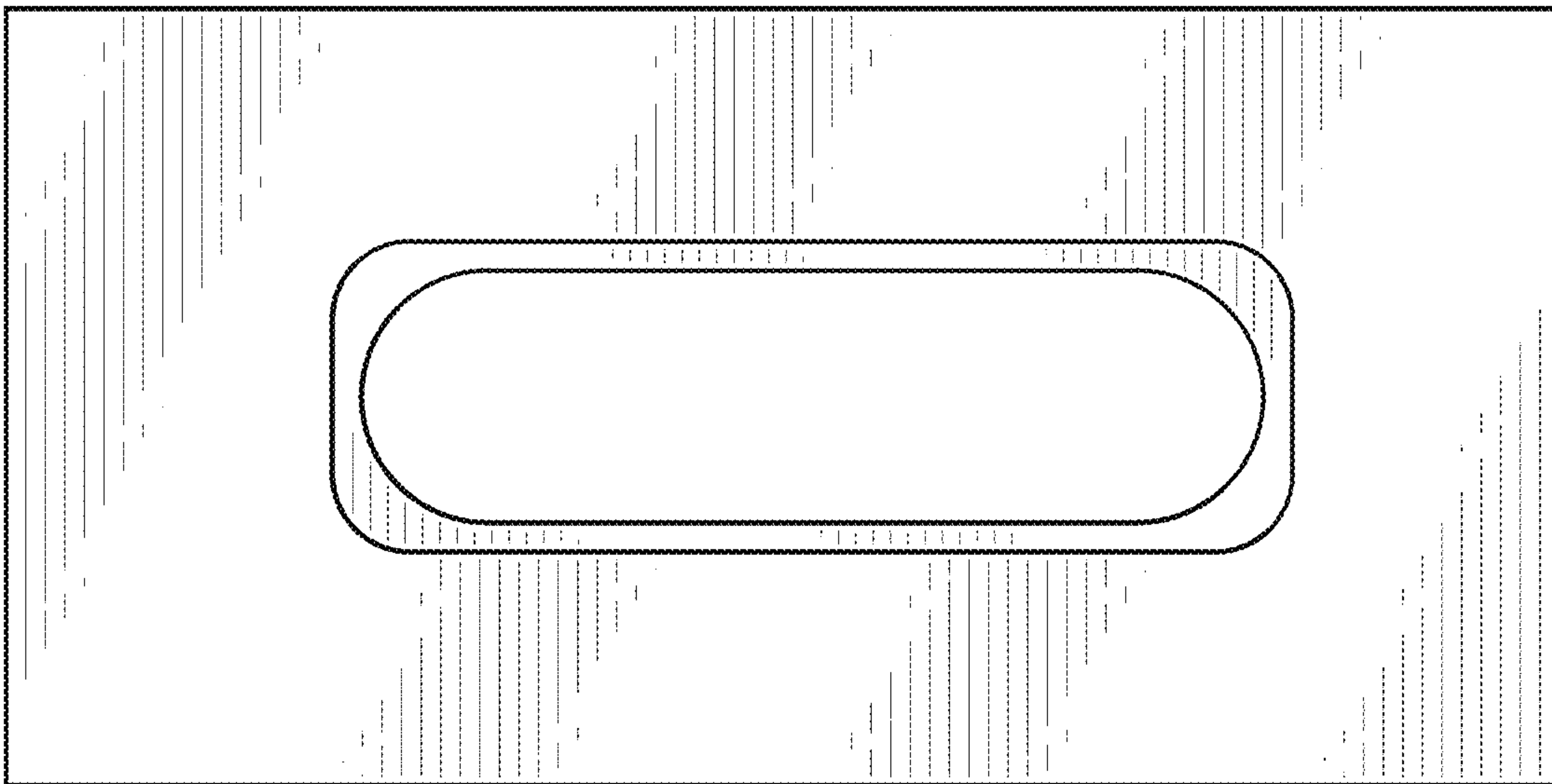


FIG. 4

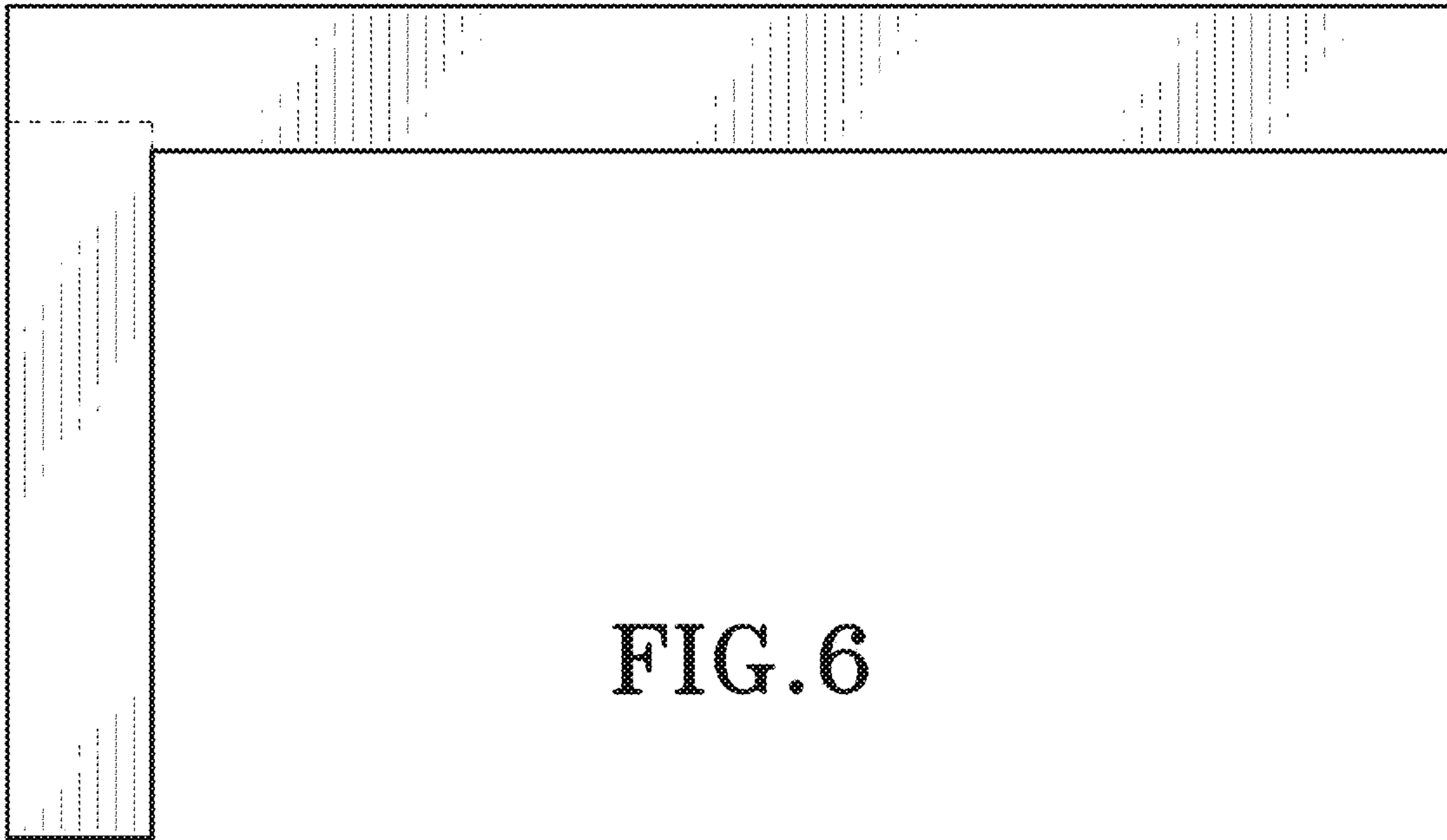


FIG. 6

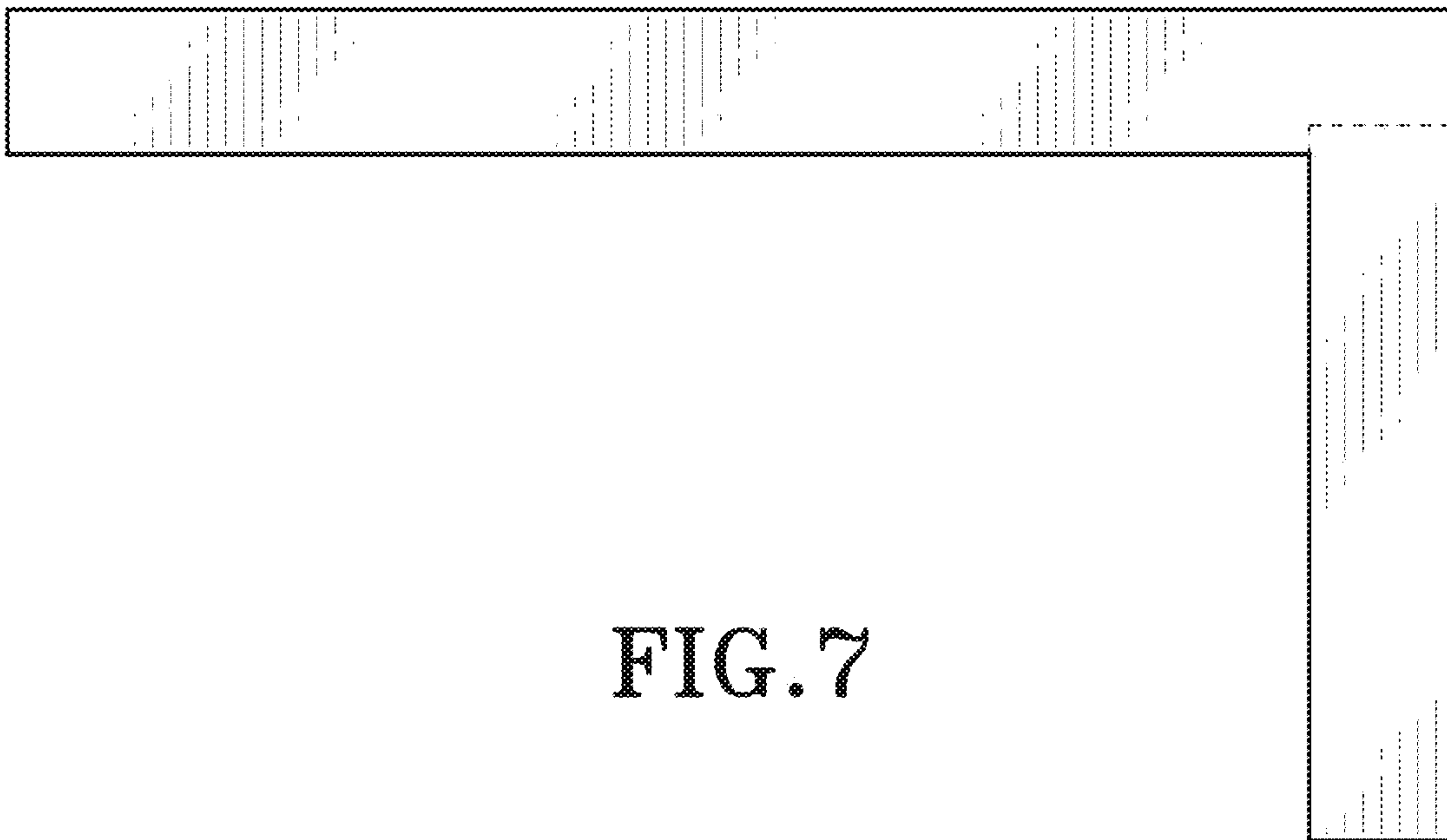


FIG. 7

