



US00D878936S

(12) **United States Design Patent**
Yu

(10) **Patent No.:** **US D878,936 S**
(45) **Date of Patent:** **** Mar. 24, 2020**

(54) **BARBECUE THERMOMETER WITH TOUCH SCREEN**

(71) Applicant: **FUZHOU ESUN ELECTRONIC CO., LTD**, Fuzhou, Fujian (CN)

(72) Inventor: **Guo Yu**, Fujian (CN)

(73) Assignee: **FUZHOU ESUN ELECTRONIC CO., LTD**, Fuzhou (CN)

(**) Term: **15 Years**

(21) Appl. No.: **29/636,922**

(22) Filed: **Feb. 12, 2018**

(51) **LOC (12) Cl.** **10-04**

(52) **U.S. Cl.**
USPC **D10/57**

(58) **Field of Classification Search**
USPC ... D10/57, 58, 55, 53, 52, 50, 51, 49, 15, 2, D10/21, 24; D14/171, 170, 169, 138 R, D14/159, 126
CPC G01K 2207/02; G01K 2207/00; G01K 2207/04; G01K 2207/06; G01K 2207/08; G01K 1/08
See application file for complete search history.

(56) **References Cited**

U.S. PATENT DOCUMENTS

D408,296 S * 4/1999 Hui D10/1
D411,118 S * 6/1999 Couch D10/47
D518,744 S * 4/2006 Rosen D10/50
D550,103 S * 9/2007 Laituri D10/57
D579,799 S * 11/2008 Barton D10/50

D582,804 S * 12/2008 Flandin D10/57
D615,895 S * 5/2010 Beattie D10/99
D670,579 S * 11/2012 Cooney D10/57
D795,093 S * 8/2017 Stanton D10/57
D802,450 S * 11/2017 Boynton D10/50

FOREIGN PATENT DOCUMENTS

CN 3318636 * 1/2003
CN 201330177096 * 5/2013
EM 004024982-0001 * 5/2017

* cited by examiner

Primary Examiner — Sheryl Lane

Assistant Examiner — Samantha N Wood

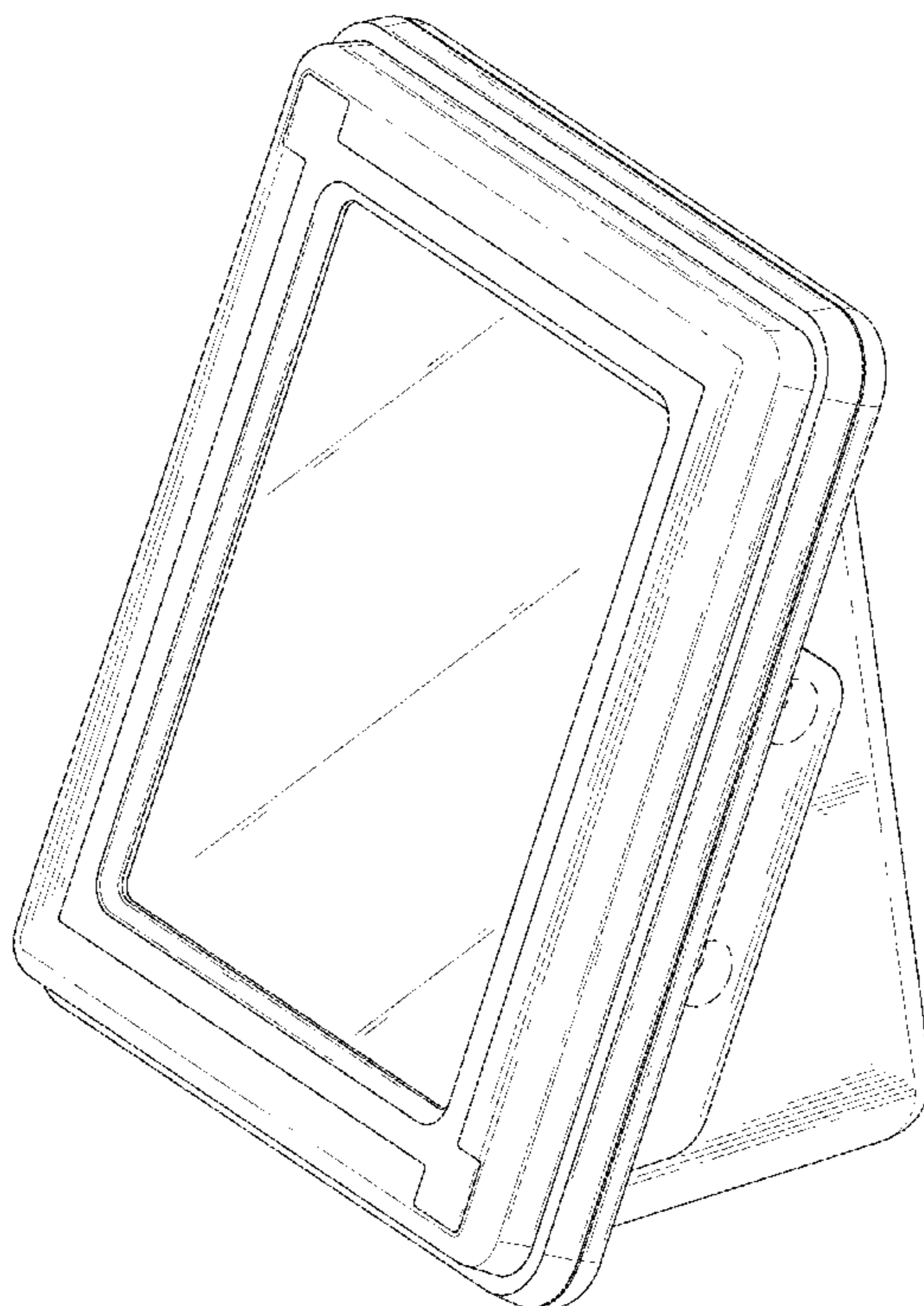
(57) **CLAIM**

The ornamental design for a barbecue thermometer with touch screen, as shown and described.

DESCRIPTION

FIG. 1 is a first perspective view of a barbecue thermometer with touch screen showing my new design; FIG. 2 is a second perspective view thereof; FIG. 3 is a front elevational view thereof; FIG. 4 is a rear elevational view thereof; FIG. 5 is a left side view thereof; FIG. 6 is a right side view thereof; FIG. 7 is a top plan view thereof; and, FIG. 8 is a bottom plan view thereof. The broken lines in the drawings illustrate portions of the barbecue thermometer with touch screen which form no part of the claimed design. The diagonal lines in the drawings represent reflective surfaces.

1 Claim, 8 Drawing Sheets



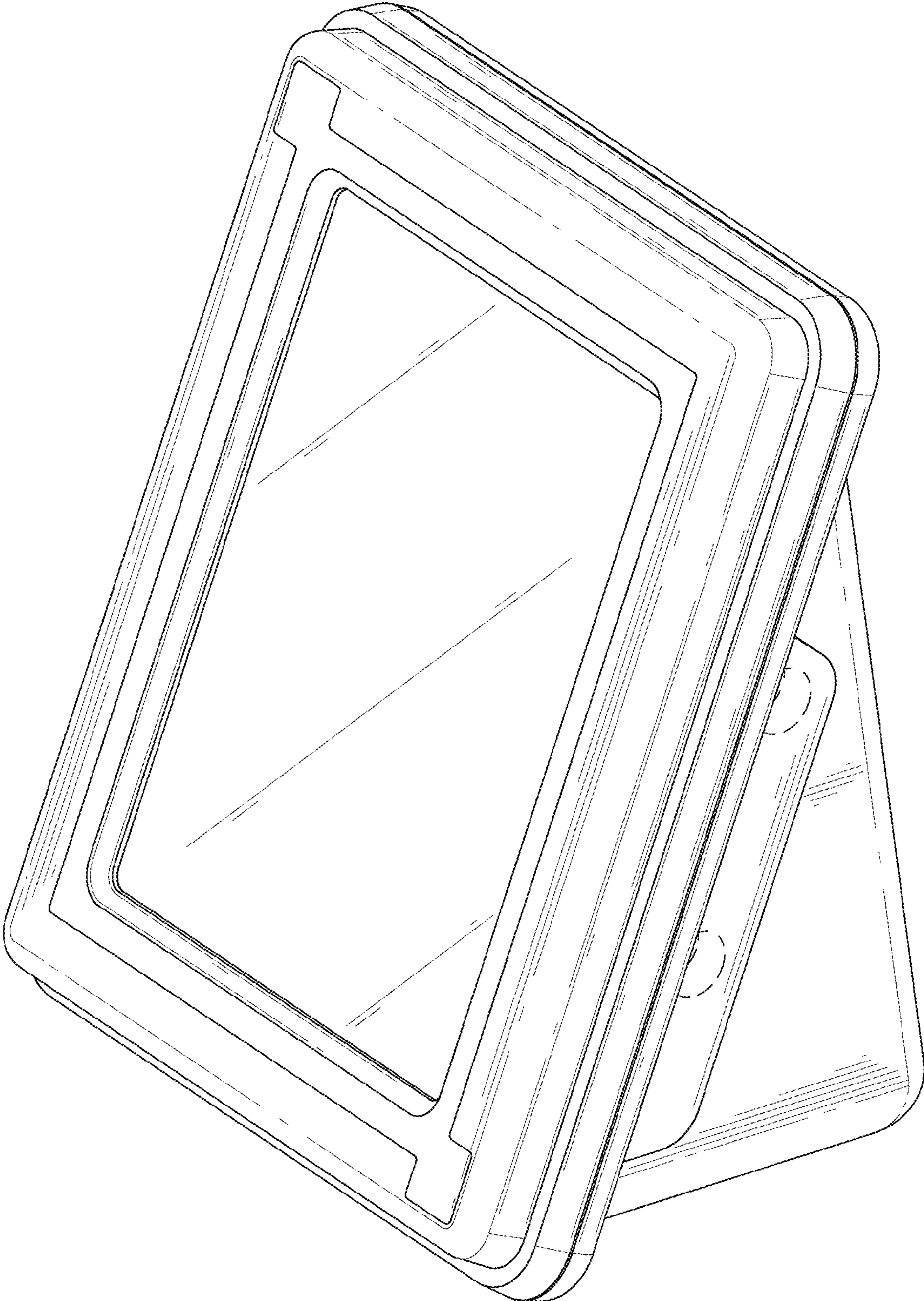


FIG. 1

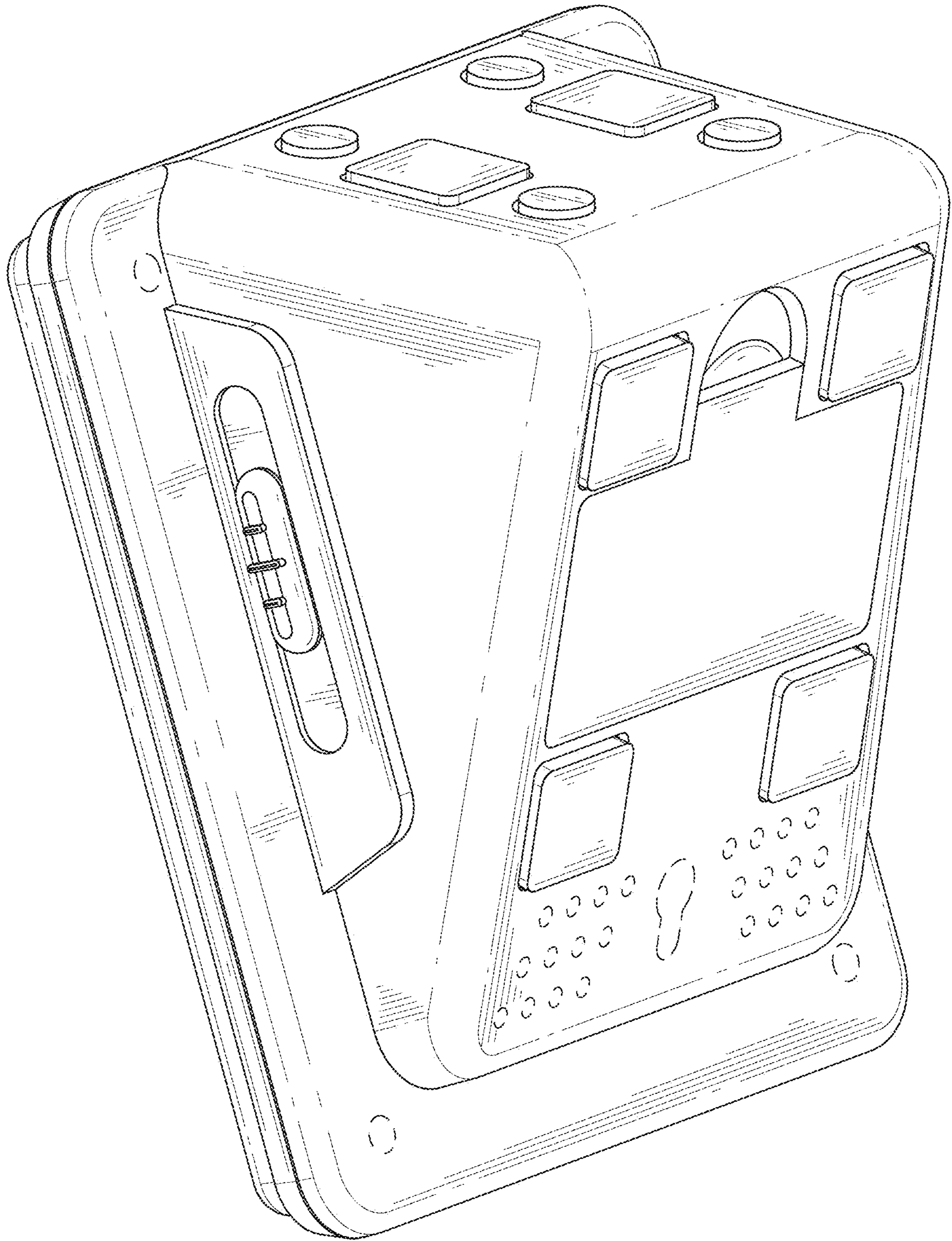


FIG. 2

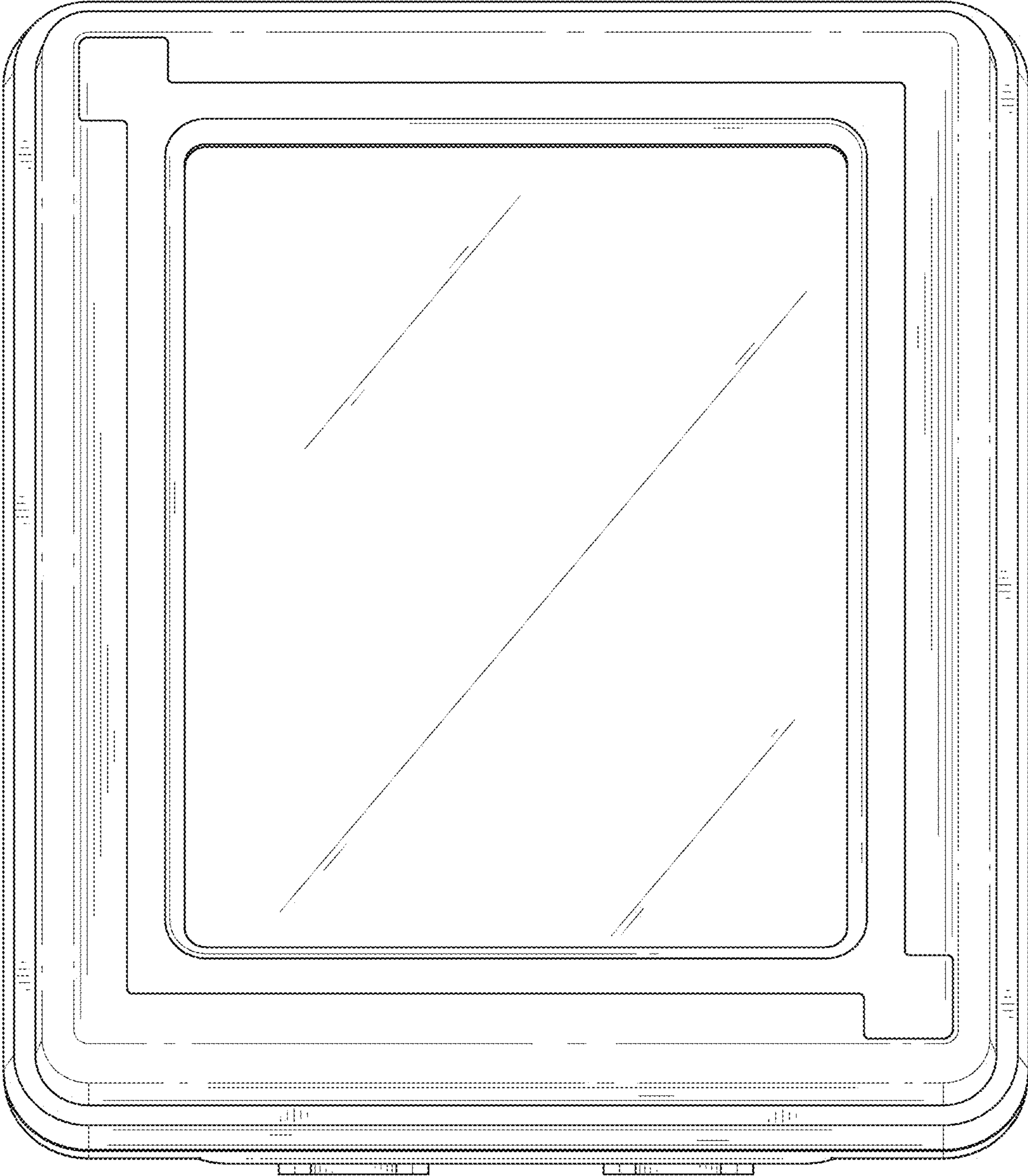


FIG. 3

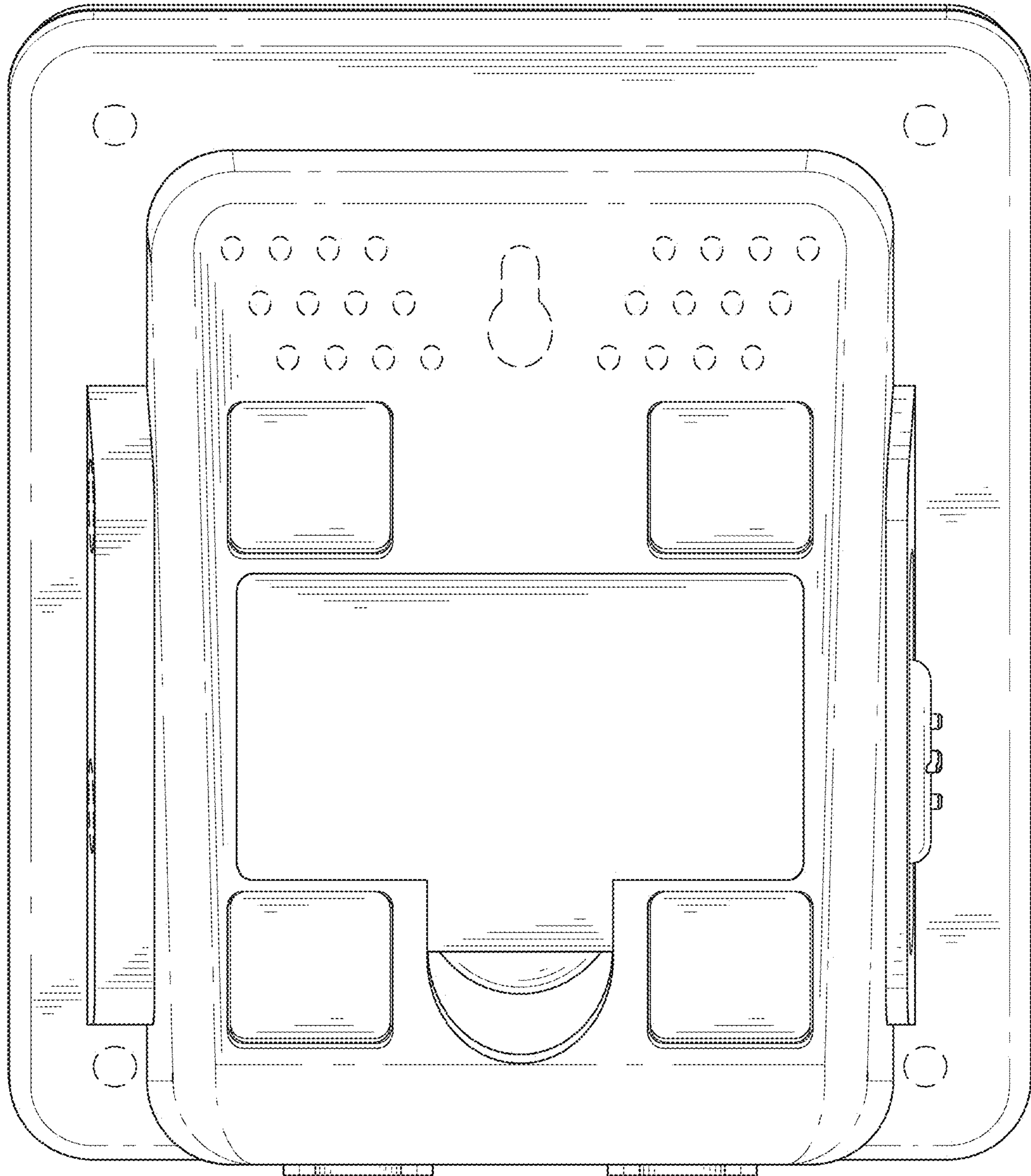


FIG. 4

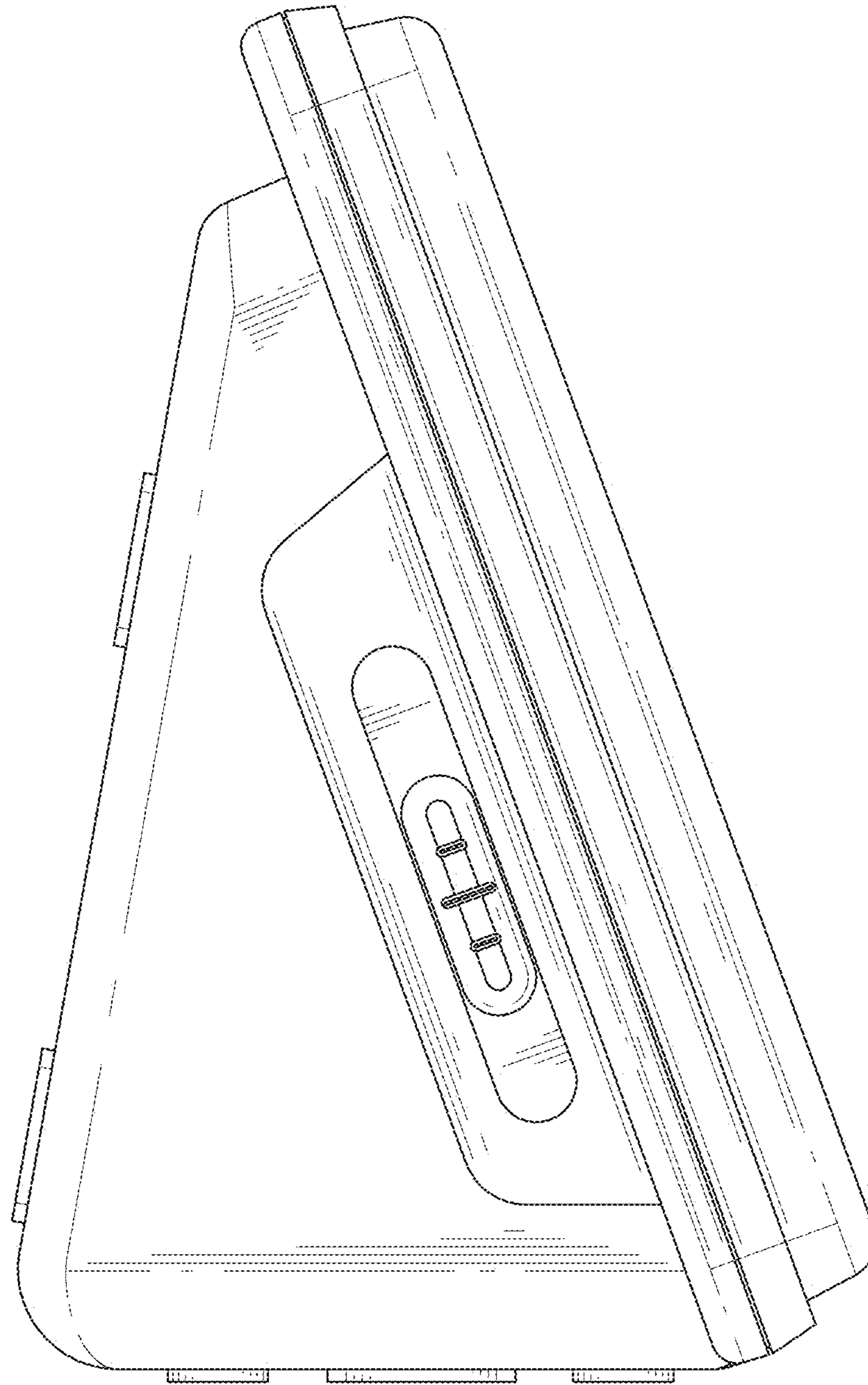


FIG. 5

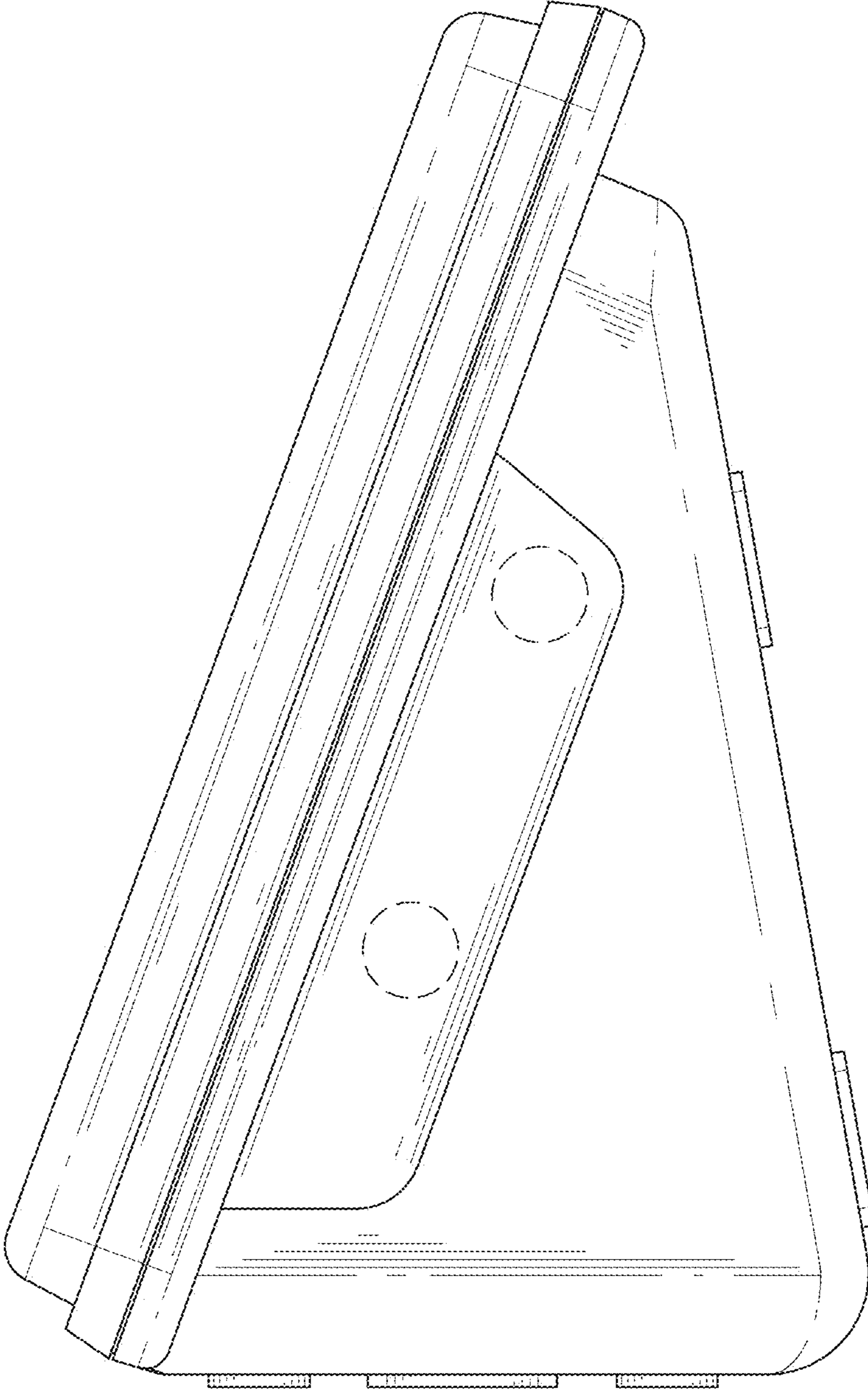


FIG. 6

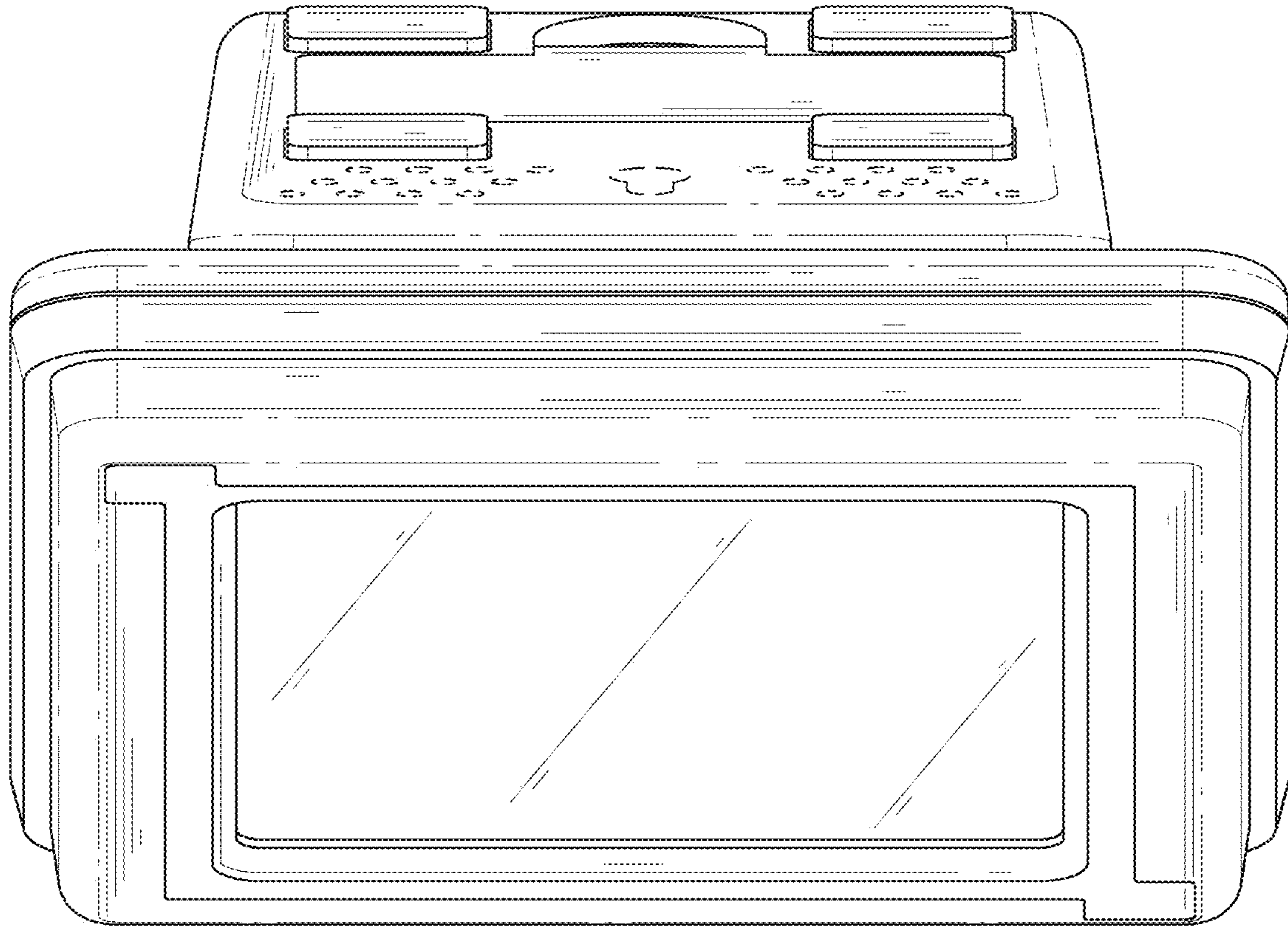


FIG. 7

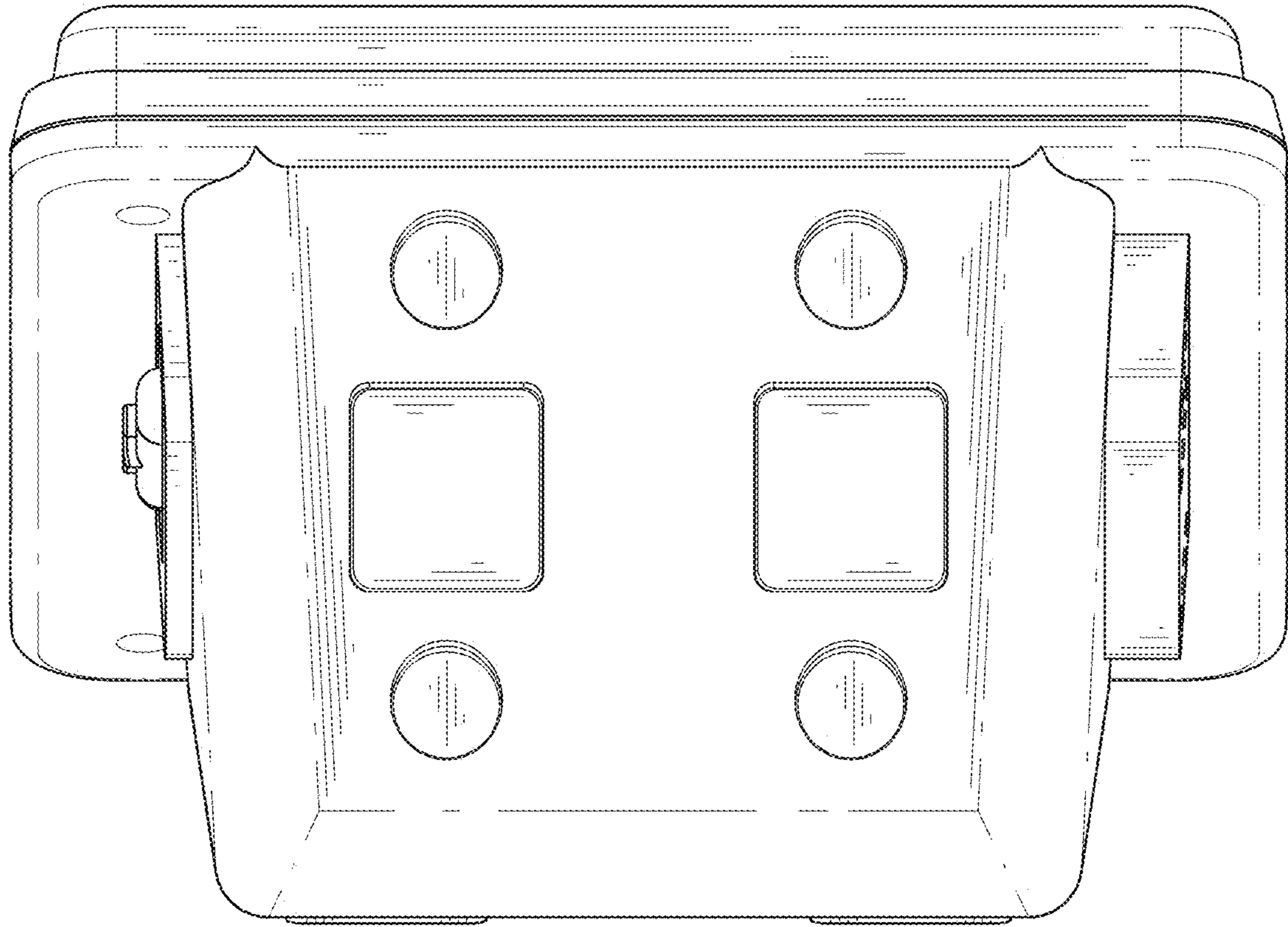


FIG. 8