



US00D878935S

(12) **United States Design Patent**
Kimura

(10) **Patent No.:** **US D878,935 S**
(45) **Date of Patent:** **** Mar. 24, 2020**

(54) **WATCH**

(71) Applicant: **Citizen Watch Co., Ltd.**,
Nishitokyo-shi, Tokyo (JP)

(72) Inventor: **Maiko Kimura**, Tokyo (JP)

(73) Assignee: **Citizen Watch Co., Ltd.**, Tokyo (JP)

(**) Term: **15 Years**

(21) Appl. No.: **29/671,841**

(22) Filed: **Nov. 30, 2018**

(51) **LOC (12) Cl.** **10-02**

(52) **U.S. Cl.**
USPC **D10/39**

(58) **Field of Classification Search**
USPC ... D10/1, 30, 31, 32, 33, 34, 35, 36, 37, 38,
D10/39, 122, 123, 124, 126, 128; D11/3,
D11/4, 6, 12, 13
CPC G04B 37/00; G04B 37/0008; G04B 37/05;
G04B 37/081; G04B 37/087; G04B
19/106; G04B 19/10; G04B 19/12; G04B
19/14
See application file for complete search history.

(56) **References Cited**

U.S. PATENT DOCUMENTS

D301,983 S	*	7/1989	Benoit-Pequignet	D10/32
D352,908 S	*	11/1994	Schneider	D10/32
D357,193 S	*	4/1995	Lefevre	D10/30
D611,841 S	*	3/2010	Hatem	D10/32
D618,119 S	*	6/2010	Tonohori	D10/38
D715,660 S	*	10/2014	Inoue	D10/39
D723,963 S	*	3/2015	Gueit	D10/126
D724,466 S	*	3/2015	Gueit	D10/126
D762,490 S	*	8/2016	Tonohori	D10/126
D769,762 S	*	10/2016	Behling	D10/126

D789,542 S	*	6/2017	Lillquist	D24/167
D789,808 S	*	6/2017	Kimura	D10/30
D791,632 S		7/2017	Lintz et al.		
D794,476 S		8/2017	Laucella		

FOREIGN PATENT DOCUMENTS

JP	D1588057 S	10/2017
JP	D1599358 S	3/2018
JP	D1611012 S	8/2018

OTHER PUBLICATIONS

Watch Time, How It Works: Citizen Eco-Drive Satellite Wave World Time GPS, posted May 12, 2015, [online], [visited Oct. 29, 2019]. Internet, URL: <https://www.watchtime.com/wristwatch-industry-news/watches/how-it-works-citizen-eco-drive-satellite-wave-world-time-gps/> (Year: 2015).*

Taiwanese Notice of Allowance with Search Report for Taiwan Application No. 107306999, dated Jun. 27, 2019, 2 pages.

* cited by examiner

Primary Examiner — Sheryl Lane

Assistant Examiner — Samantha N Wood

(74) *Attorney, Agent, or Firm* — RatnerPrestia

(57) **CLAIM**

The ornamental design for a watch, as shown and described.

DESCRIPTION

FIG. 1 is a perspective view of a watch showing my new design;

FIG. 2 is a front elevational view thereof;

FIG. 3 is a left side elevational view thereof;

FIG. 4 is a right side elevational view thereof;

FIG. 5 is a rear elevational view thereof;

FIG. 6 is a top plan view thereof; and,

FIG. 7 is a bottom plan view thereof.

1 Claim, 5 Drawing Sheets

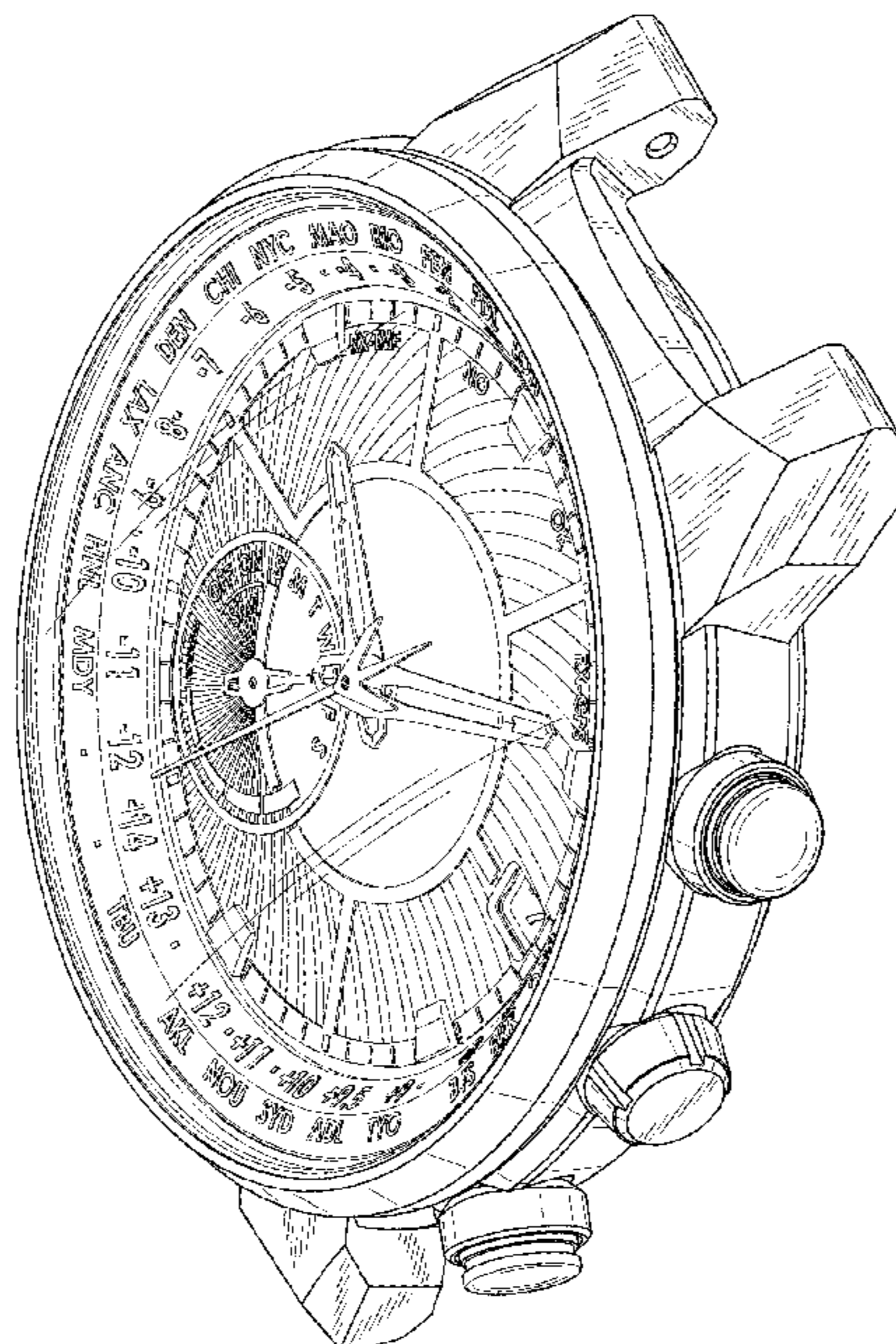


FIG. 1

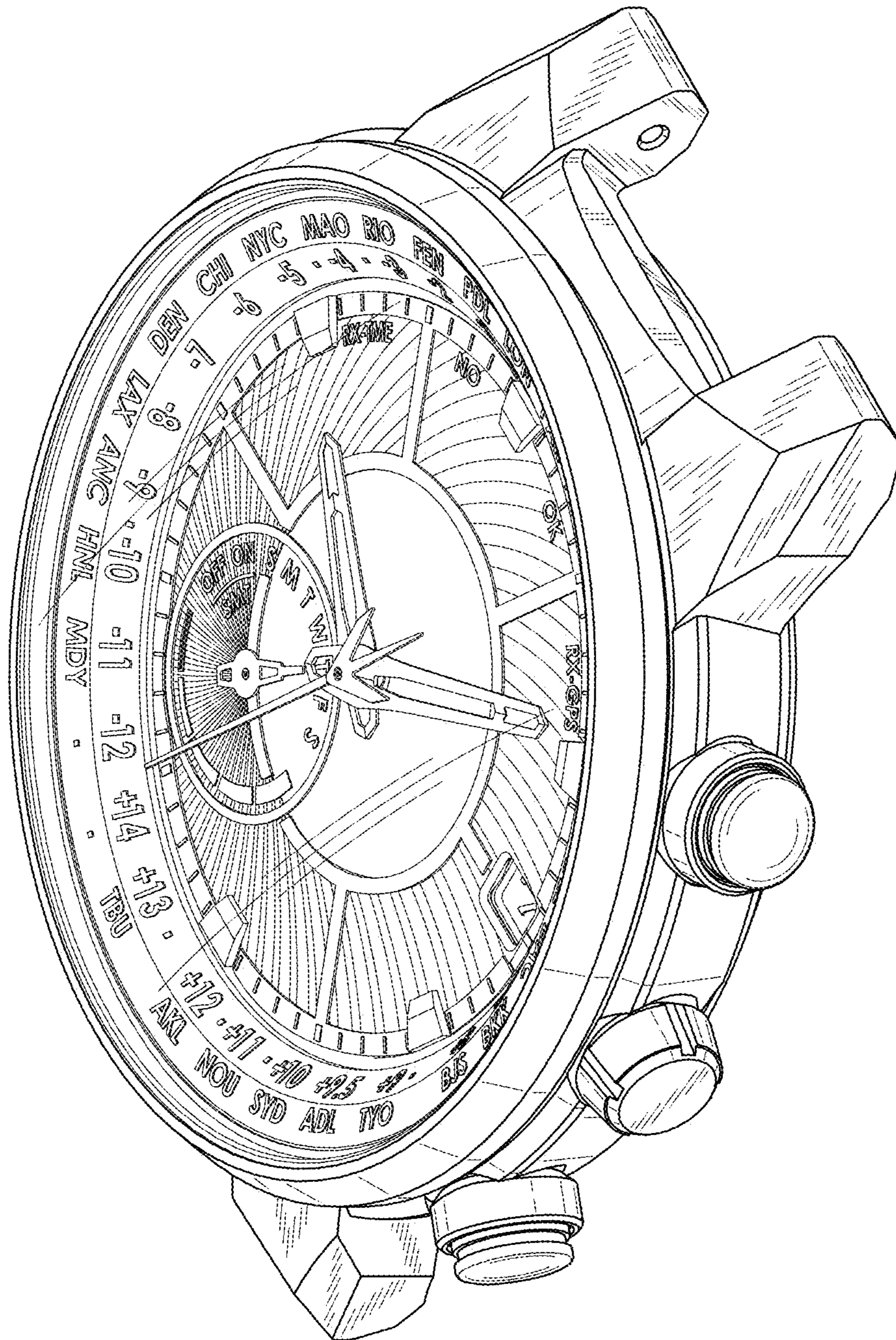


FIG. 2



FIG. 3

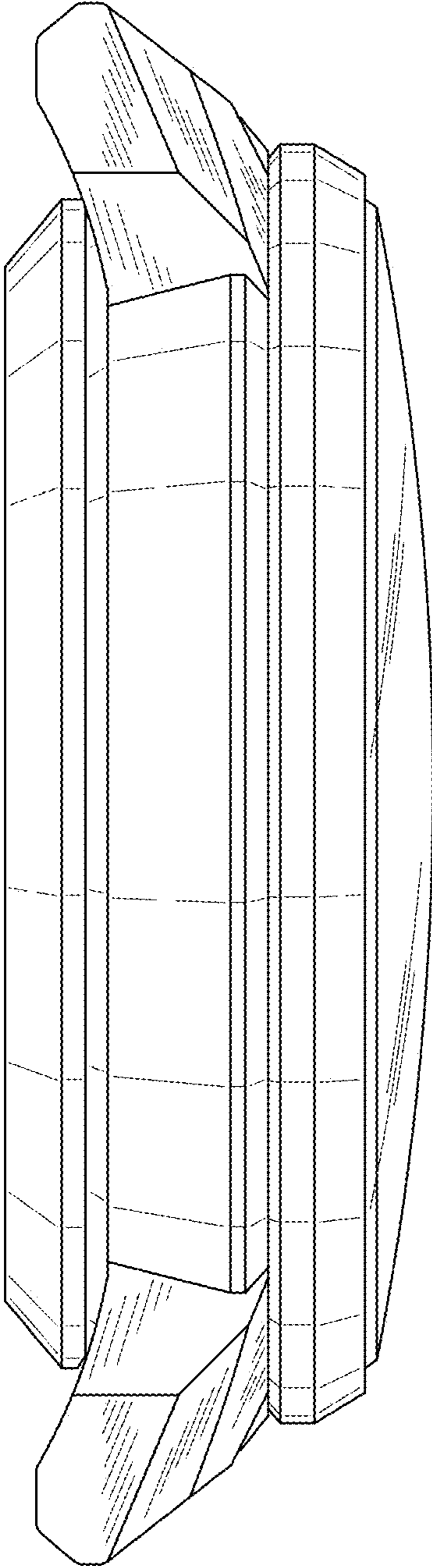


FIG. 4

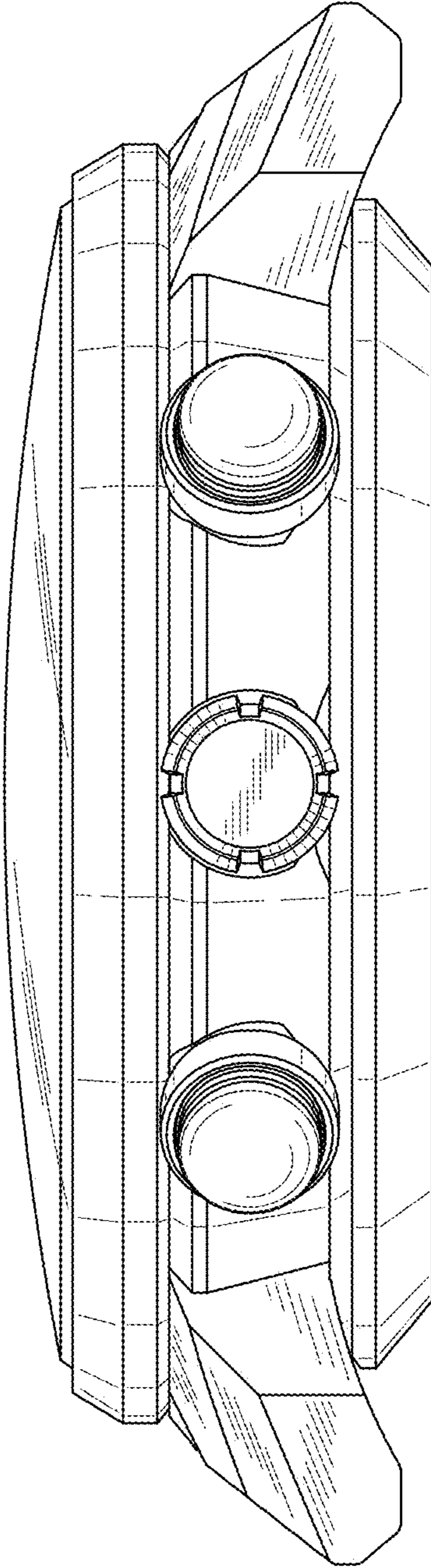


FIG. 5

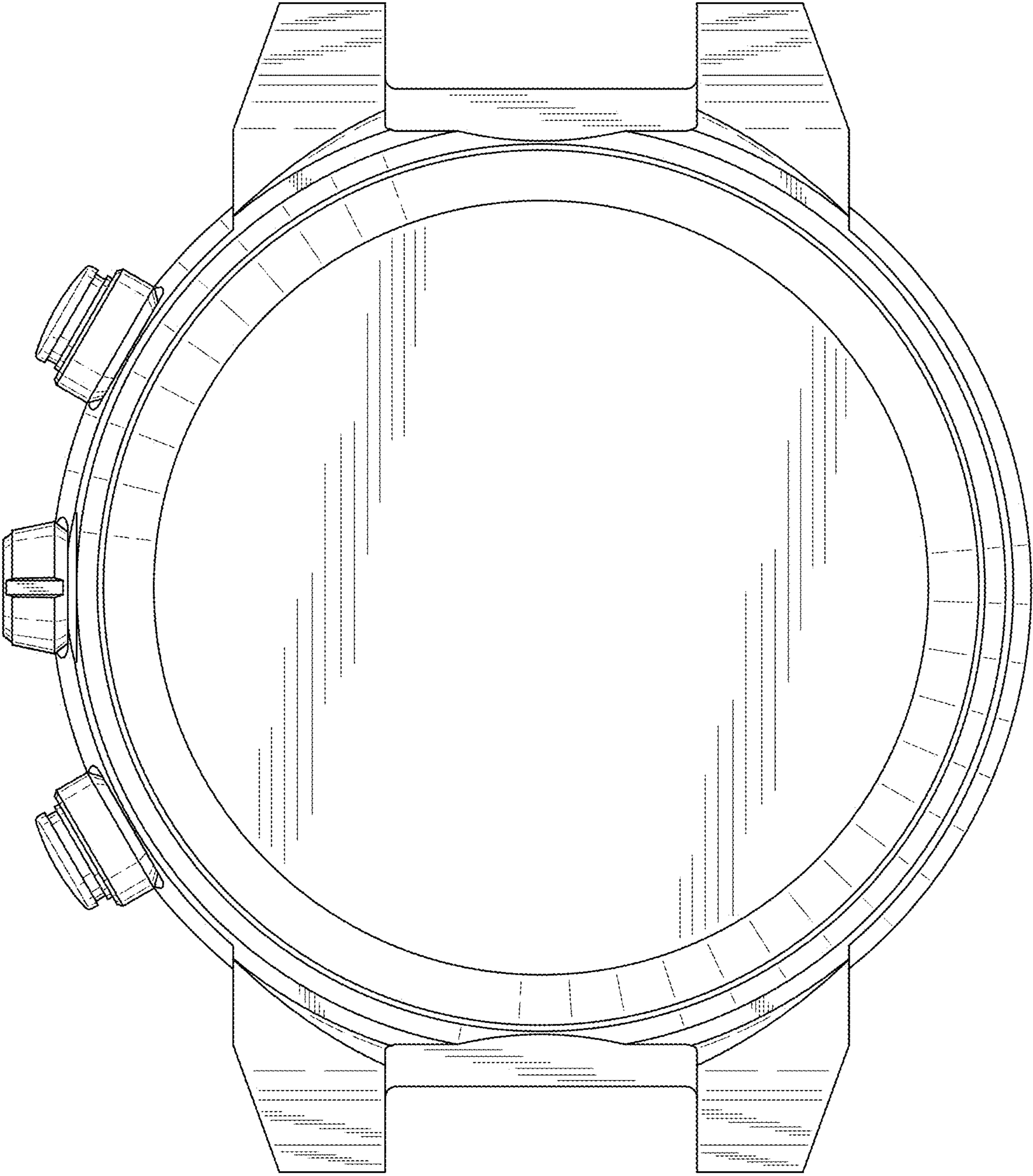


FIG. 6

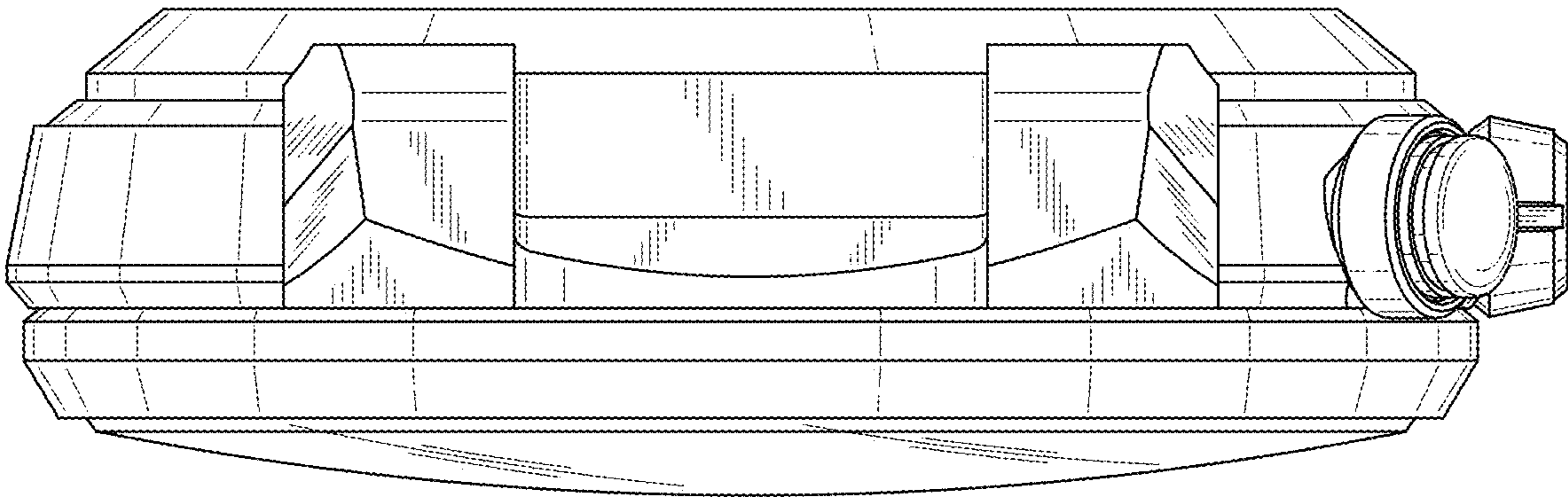


FIG. 7

