



US00D878930S

(12) **United States Design Patent** (10) **Patent No.:** **US D878,930 S**
Nacdimen et al. (45) **Date of Patent:** **** Mar. 24, 2020**

(54) **APPLICATOR**

(71) Applicant: **The Procter & Gamble Company**,
Cincinnati, OH (US)

(72) Inventors: **Hali Michelle Nacdimen**, Cincinnati,
OH (US); **Samatha Chen-Yee Wang**,
Cincinnati, OH (US); **Andrew Peter
Heidel**, Cincinnati, OH (US); **Adrienne
Michelle Szmuriga-Winfield**,
Loveland, OH (US); **Jessica Elizabeth
Leon**, Bellevue, KY (US)

(73) Assignee: **The Procter & Gamble Company**,
Cincinnati, OH (US)

(**) Term: **15 Years**

(21) Appl. No.: **29/675,815**

(22) Filed: **Jan. 4, 2019**

(51) **LOC (12) Cl.** **09-01**

(52) **U.S. Cl.**
USPC **D9/723**

(58) **Field of Classification Search**
USPC D9/549, 551, 558, 559, 723, 724, 726;
D7/300, 312; D24/197
CPC B05B 11/3059; B05B 11/0027; B05B
11/0032; B05B 11/3004; B05B 11/3015;
B05B 11/306; B05B 11/3064
See application file for complete search history.

(56) **References Cited**

U.S. PATENT DOCUMENTS

D51,136 S * 8/1917 Clausen D9/545
D190,399 S * 5/1961 Agin D9/558
D329,383 S * 9/1992 Boucheron D9/529
D345,918 S * 4/1994 Chevassus D28/76

D423,363 S * 4/2000 Loughnane D9/529
D465,152 S * 11/2002 Kaufman D9/529
D552,230 S * 10/2007 Collins D24/110
D559,705 S * 1/2008 Sparks D9/723
D562,152 S * 2/2008 Beam D9/723
D623,066 S * 9/2010 Mongeon D9/529
2007/0045354 A1 * 3/2007 Boyd A61F 9/00
222/420
2015/0100002 A1 * 4/2015 Choi A61N 7/00
601/2
2018/0317628 A1 * 11/2018 Villarreal A45D 34/04
2019/0289981 A1 * 9/2019 Johnson A45D 33/34

* cited by examiner

Primary Examiner — Lauren R Calve

(74) *Attorney, Agent, or Firm* — Melissa G. Krasovec

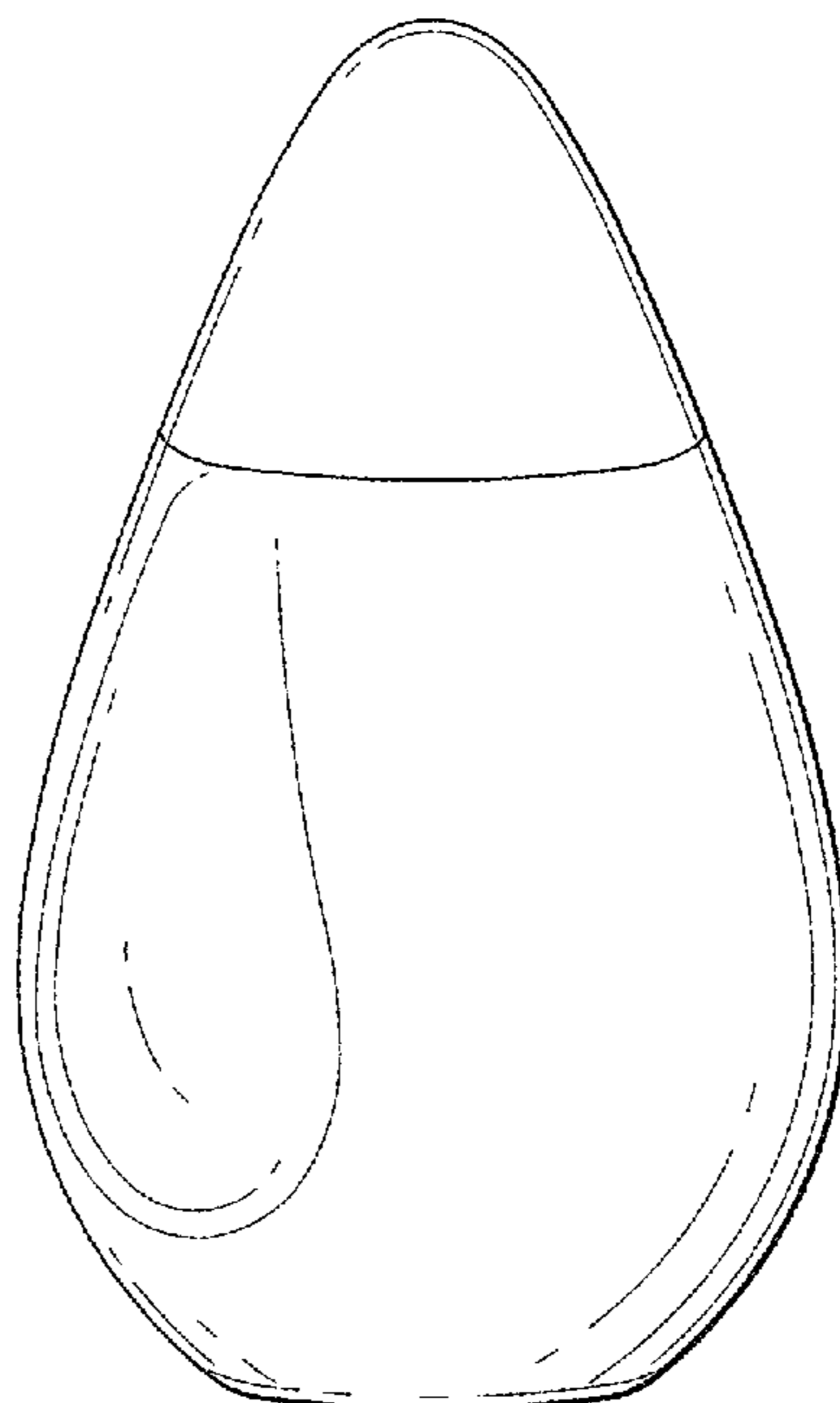
(57) **CLAIM**

The ornamental design for an applicator, as shown and described.

DESCRIPTION

FIG. 1 is a side perspective view of a first embodiment of an applicator;
FIG. 2 is a bottom perspective view of the first embodiment;
FIG. 3 is a front view of the first embodiment.
FIG. 4 is a side view of the first embodiment;
FIG. 5 is a top view of the first embodiment;
FIG. 6 is a bottom view of the first embodiment;
FIG. 7 is a side perspective view of a second embodiment of the applicator;
FIG. 8 is a bottom perspective view of the second embodiment;
FIG. 9 is a front view of the second embodiment.
FIG. 10 is a side view of the second embodiment;
FIG. 11 is a top view of the second embodiment; and,
FIG. 12 is a bottom view of the second embodiment.

1 Claim, 4 Drawing Sheets



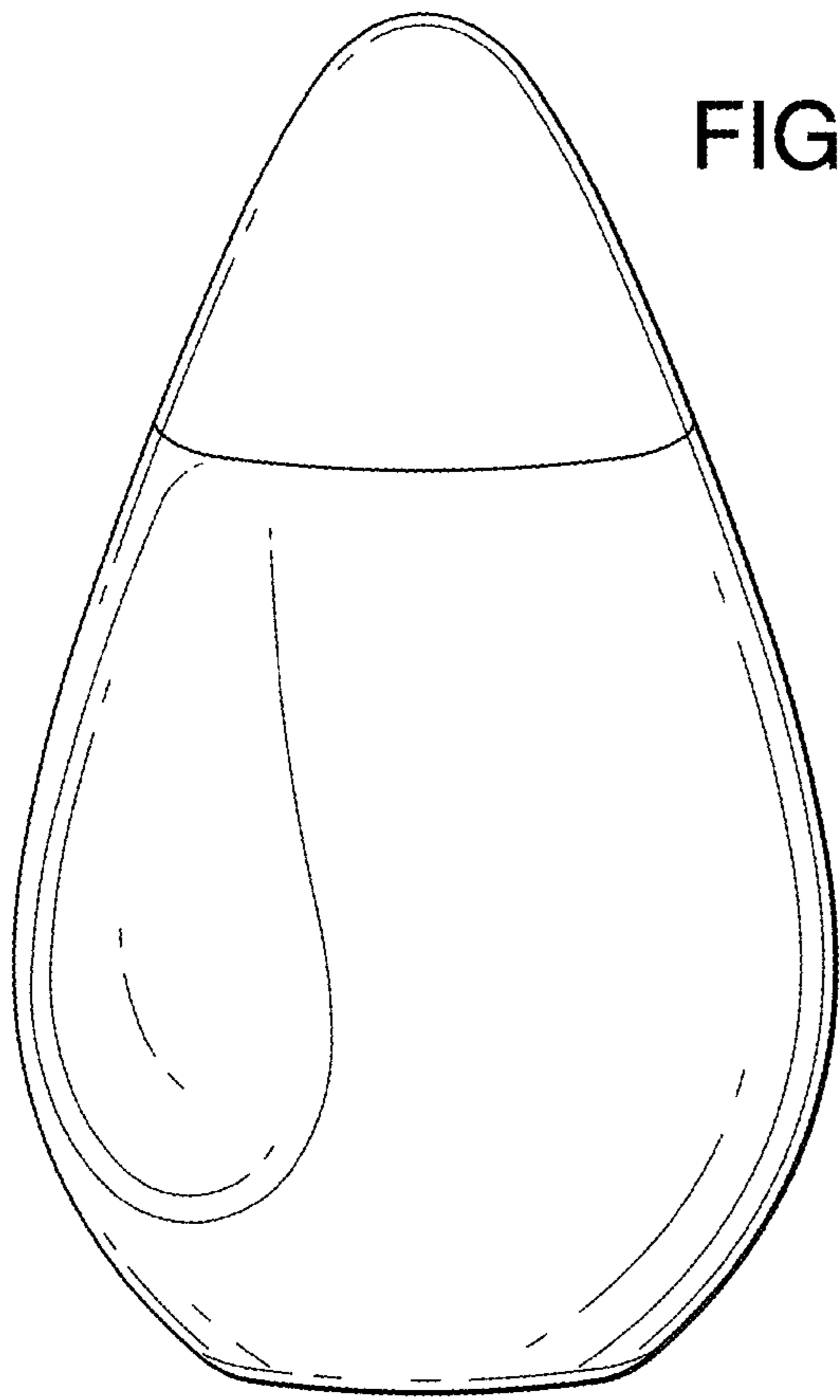


FIG. 1

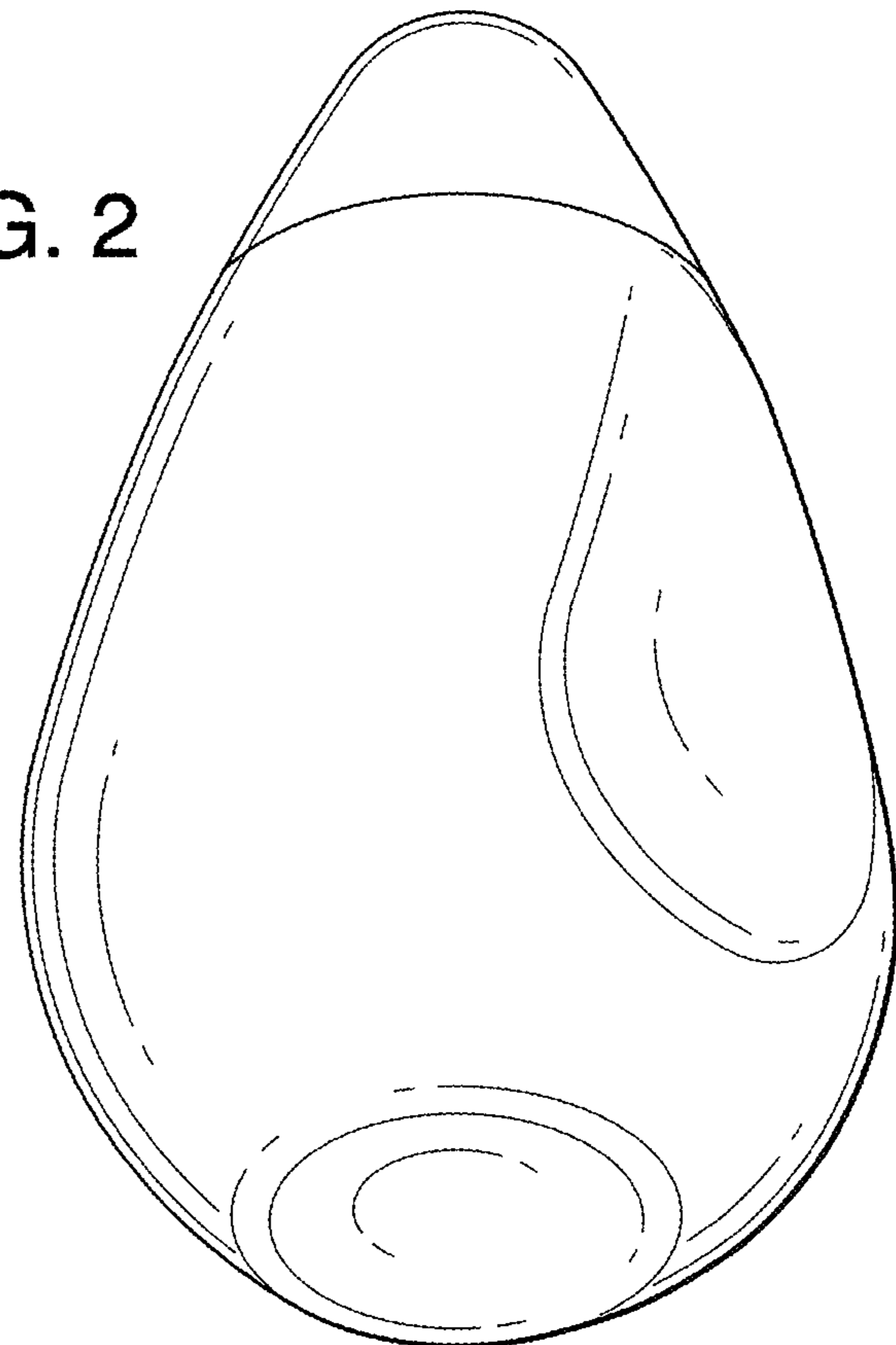


FIG. 2

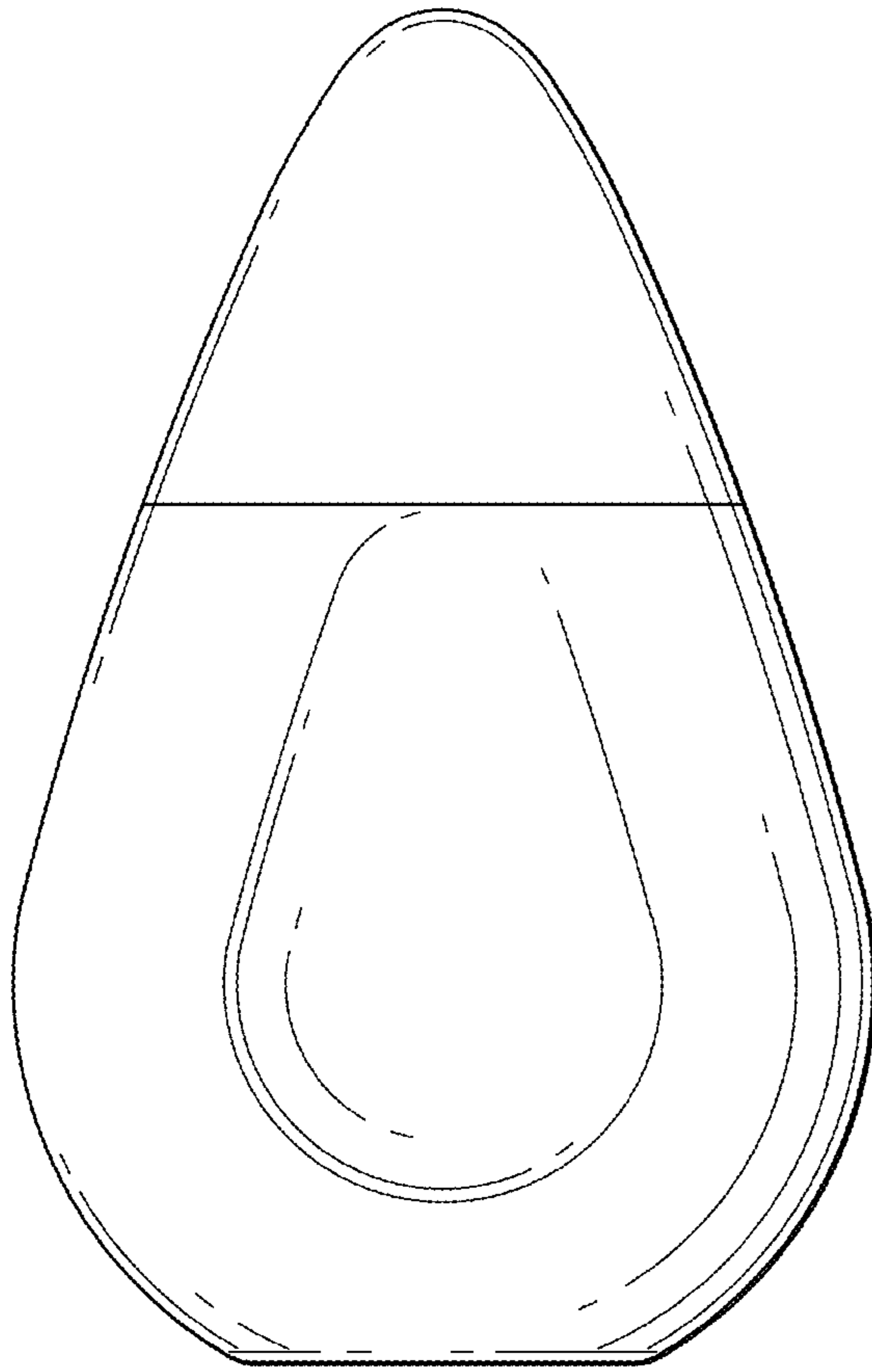


FIG. 3

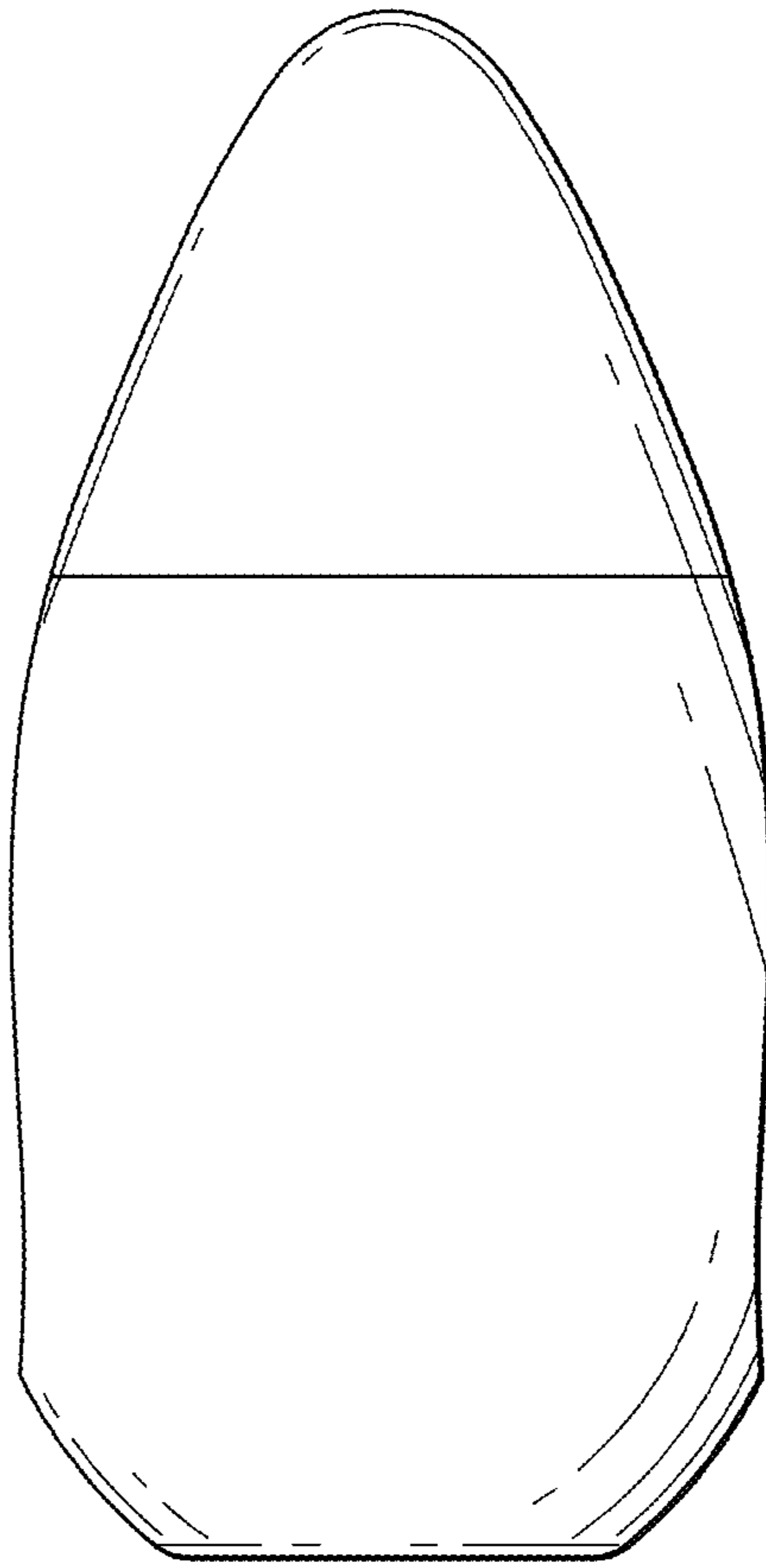


FIG. 4

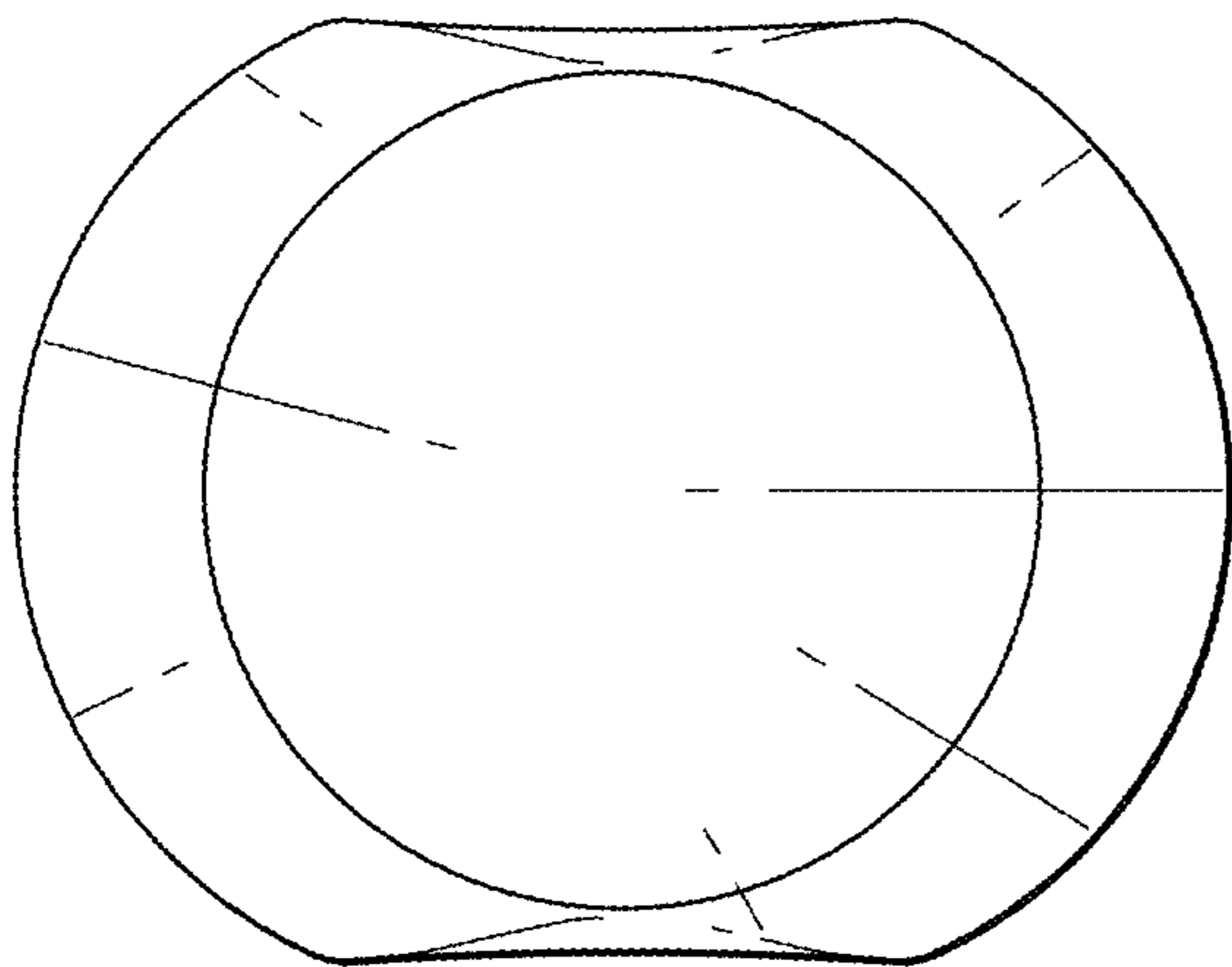


FIG. 5

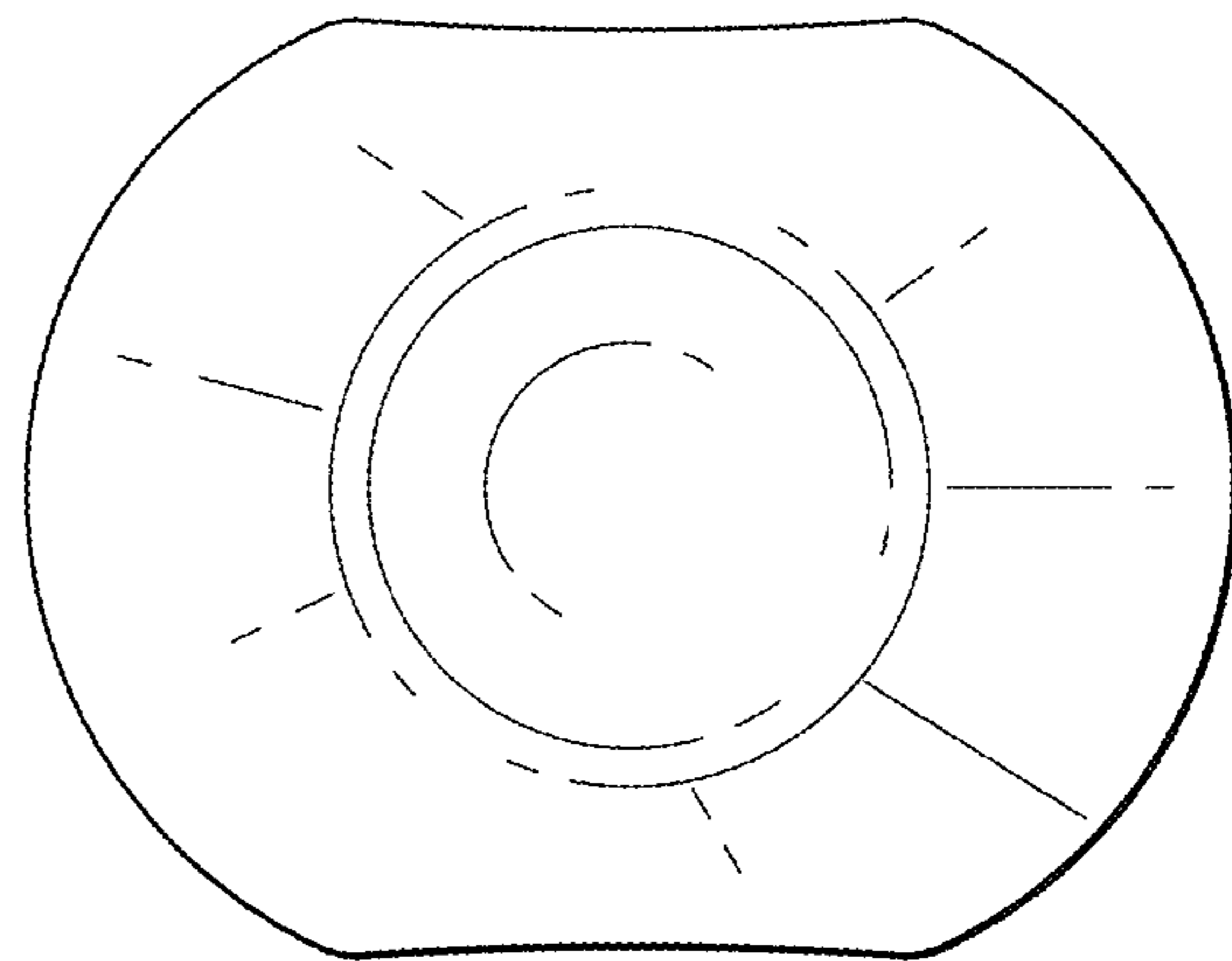


FIG. 6

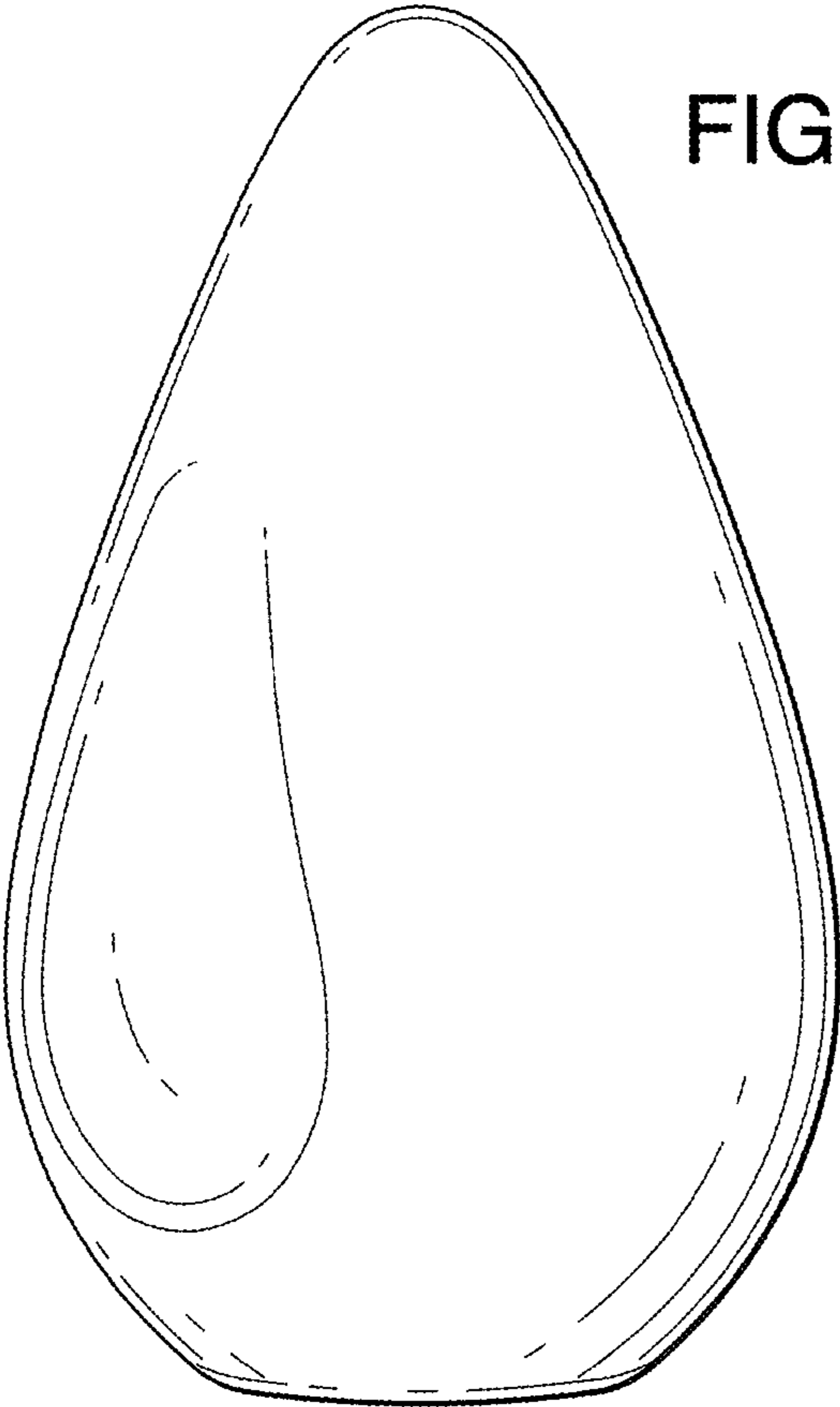


FIG. 7

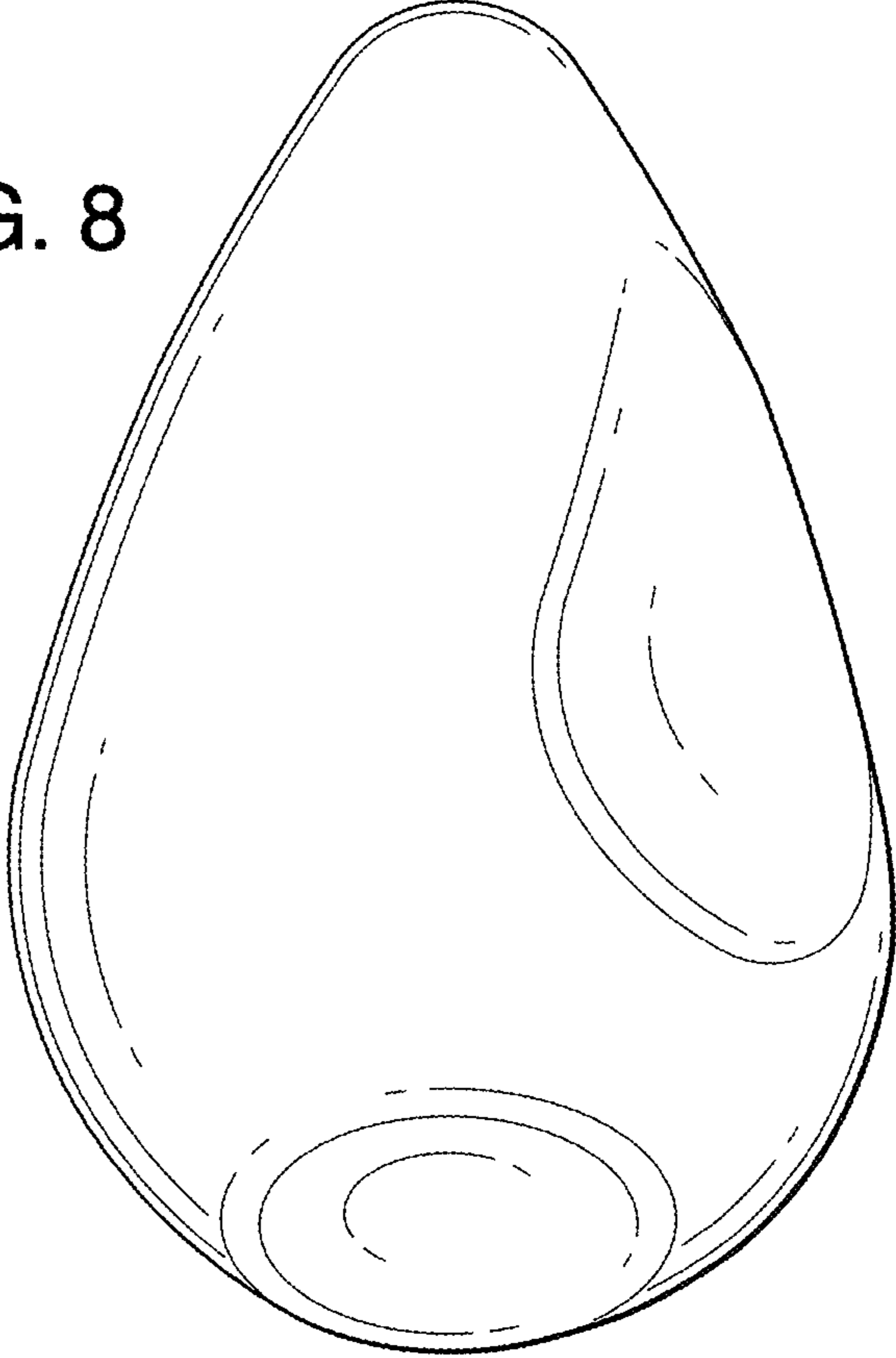


FIG. 8

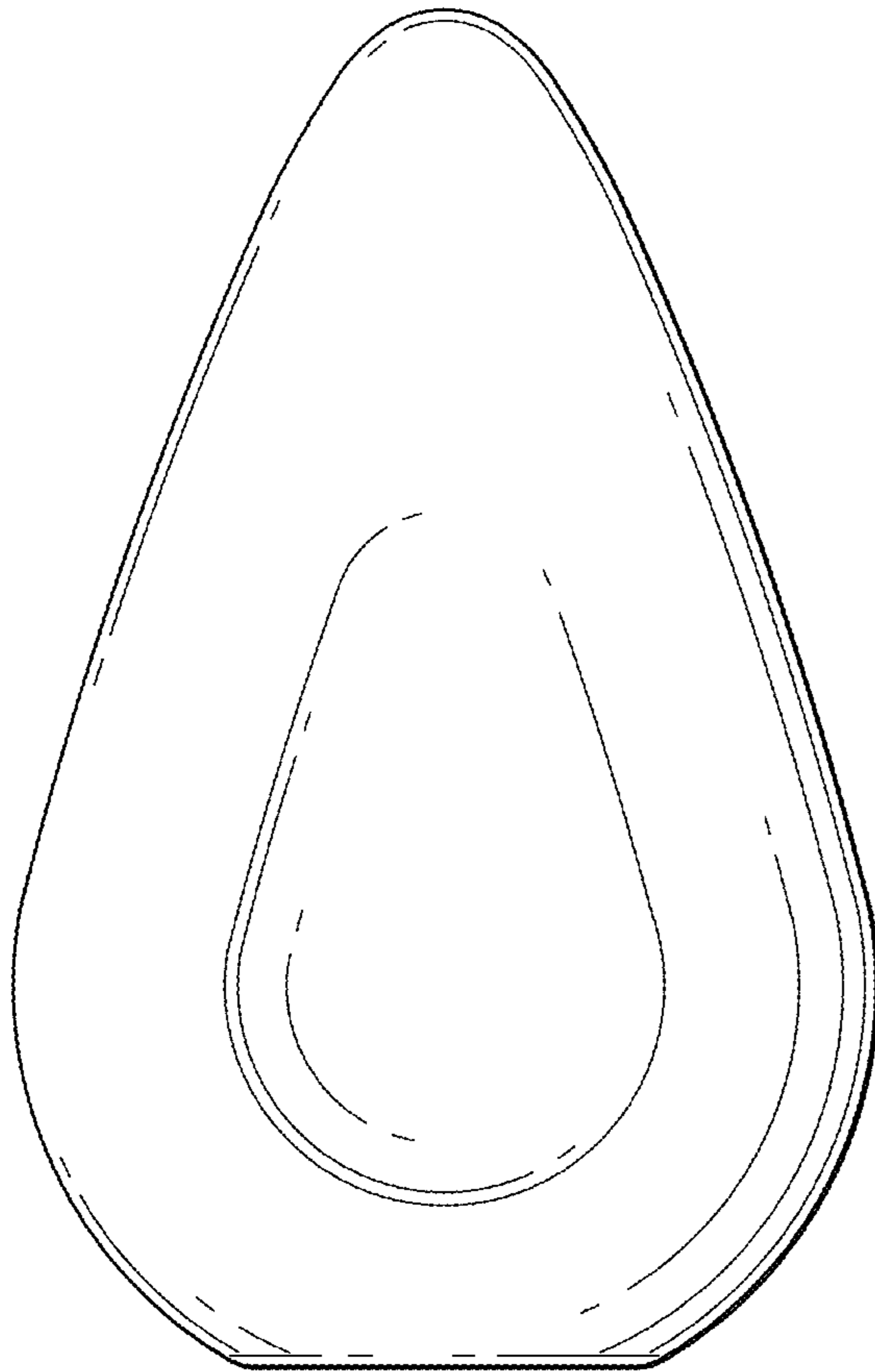


FIG. 9

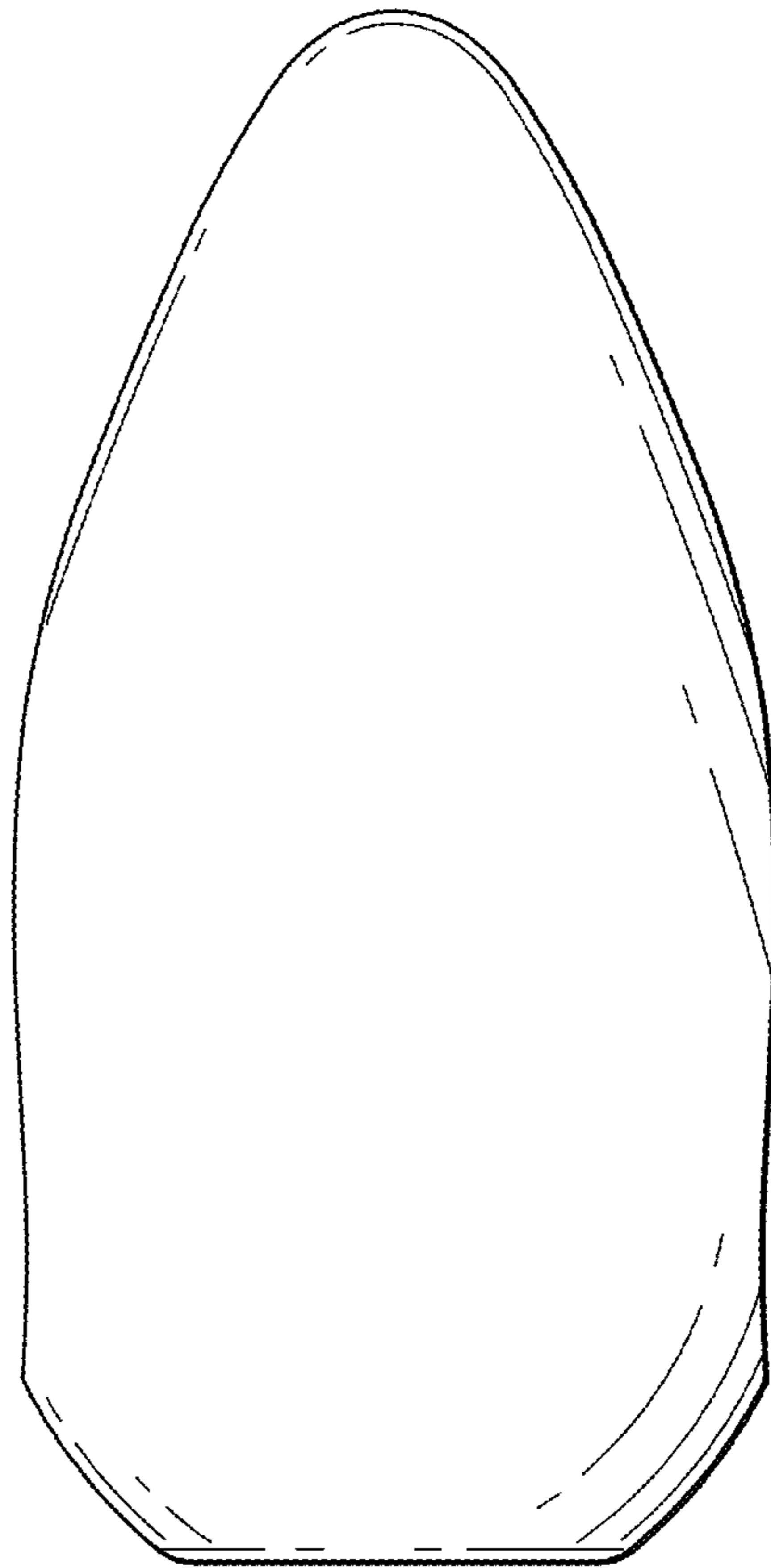


FIG. 10

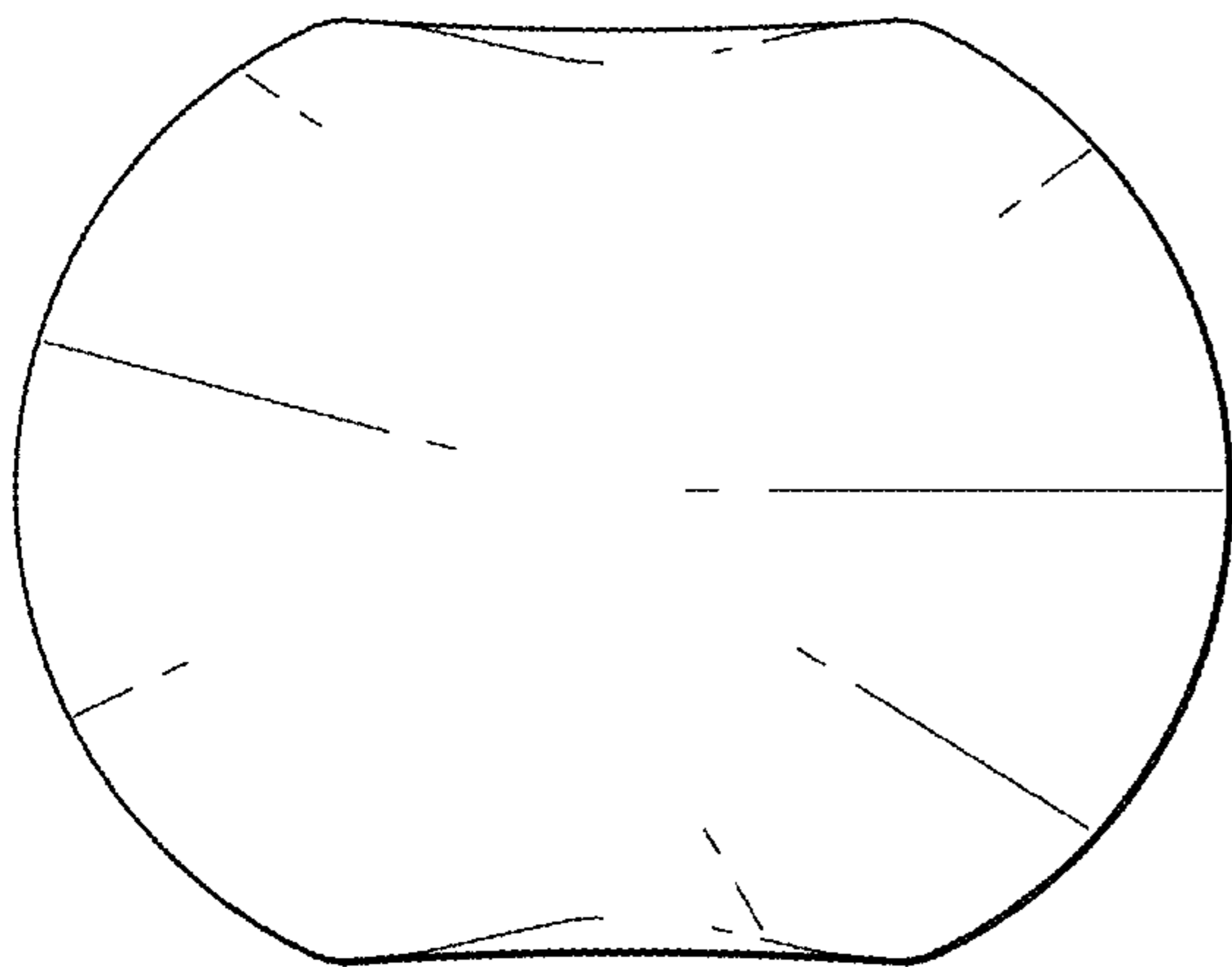


FIG. 11

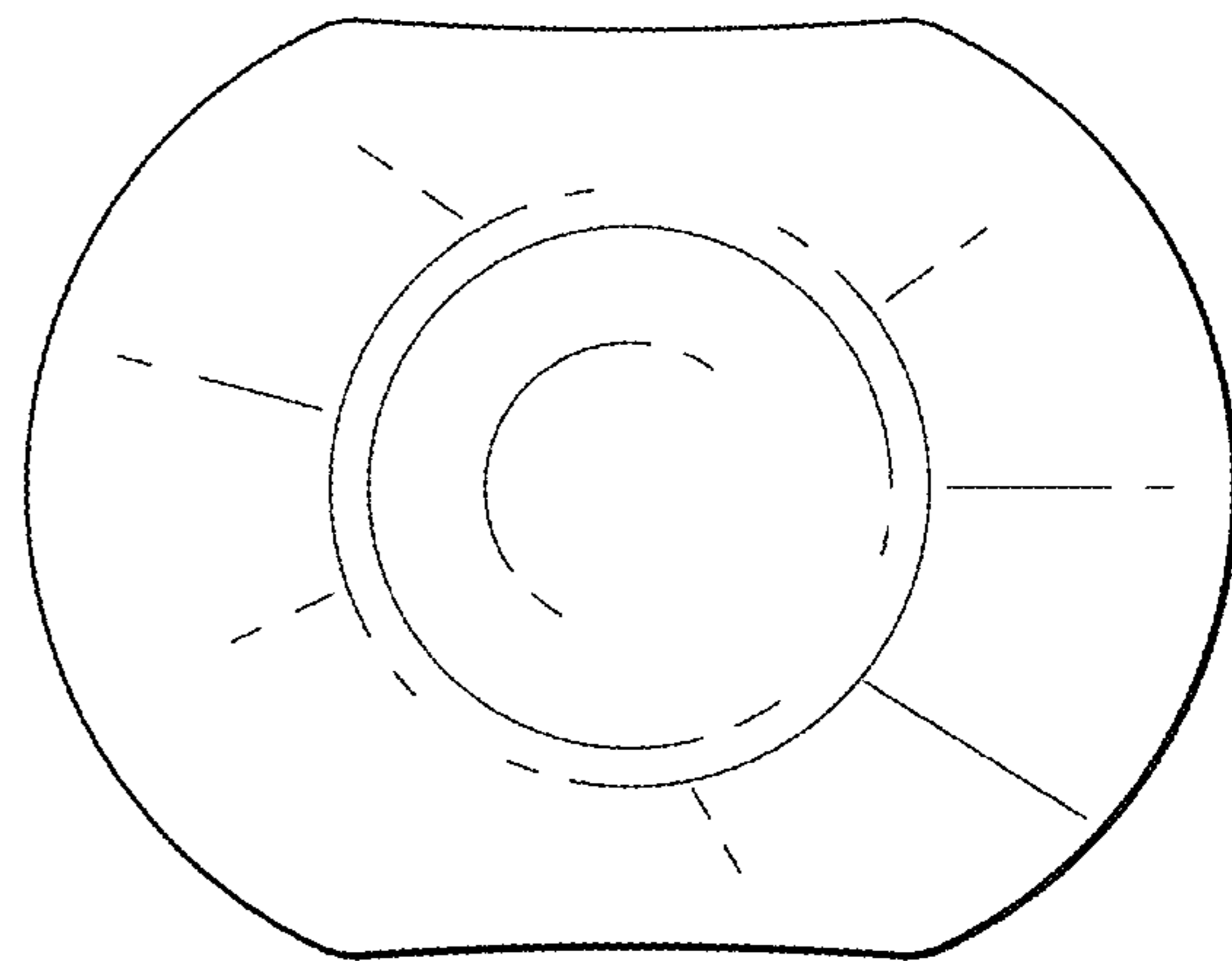


FIG. 12