



US00D878924S

(12) **United States Design Patent** (10) **Patent No.:** **US D878,924 S**
Lin et al. (45) **Date of Patent:** **** Mar. 24, 2020**

(54) **LOW PROFILE CARRY BAG**

- (71) Applicant: **Inteplast Group Corporation**,
Livingston, NJ (US)
- (72) Inventors: **Sumei Lin**, Morristown, NJ (US);
Li-yung Chang, Livingston, NJ (US);
Ben Tseng, Somerset, NJ (US)
- (73) Assignee: **Inteplast Group Corporation**,
Livingston, NJ (US)
- (**) Term: **15 Years**

- (21) Appl. No.: **29/650,653**
- (22) Filed: **Jun. 8, 2018**

Related U.S. Application Data

- (63) Continuation of application No. 15/941,401, filed on
Mar. 30, 2018.
- (51) **LOC (12) Cl.** **09-05**
- (52) **U.S. Cl.**
USPC **D9/703**
- (58) **Field of Classification Search**
USPC D9/702-714, 499, 443, 435, 434, 415;
D24/118, 121; 426/106; 383/61.1, 42,
(Continued)

(56) **References Cited**

U.S. PATENT DOCUMENTS

- 3,090,483 A 5/1963 Altree et al.
- 3,896,966 A 7/1975 Canno

(Continued)

FOREIGN PATENT DOCUMENTS

- GB 2035258 6/1980
- GB 2339187 A 1/2000

(Continued)

OTHER PUBLICATIONS

Non-Final Office Action, U.S. Appl. No. 15/941,401, dated Feb. 6, 2019, pp. 8.

(Continued)

Primary Examiner — Abraham Bahta
(74) *Attorney, Agent, or Firm* — Stinson LLP

(57) **CLAIM**

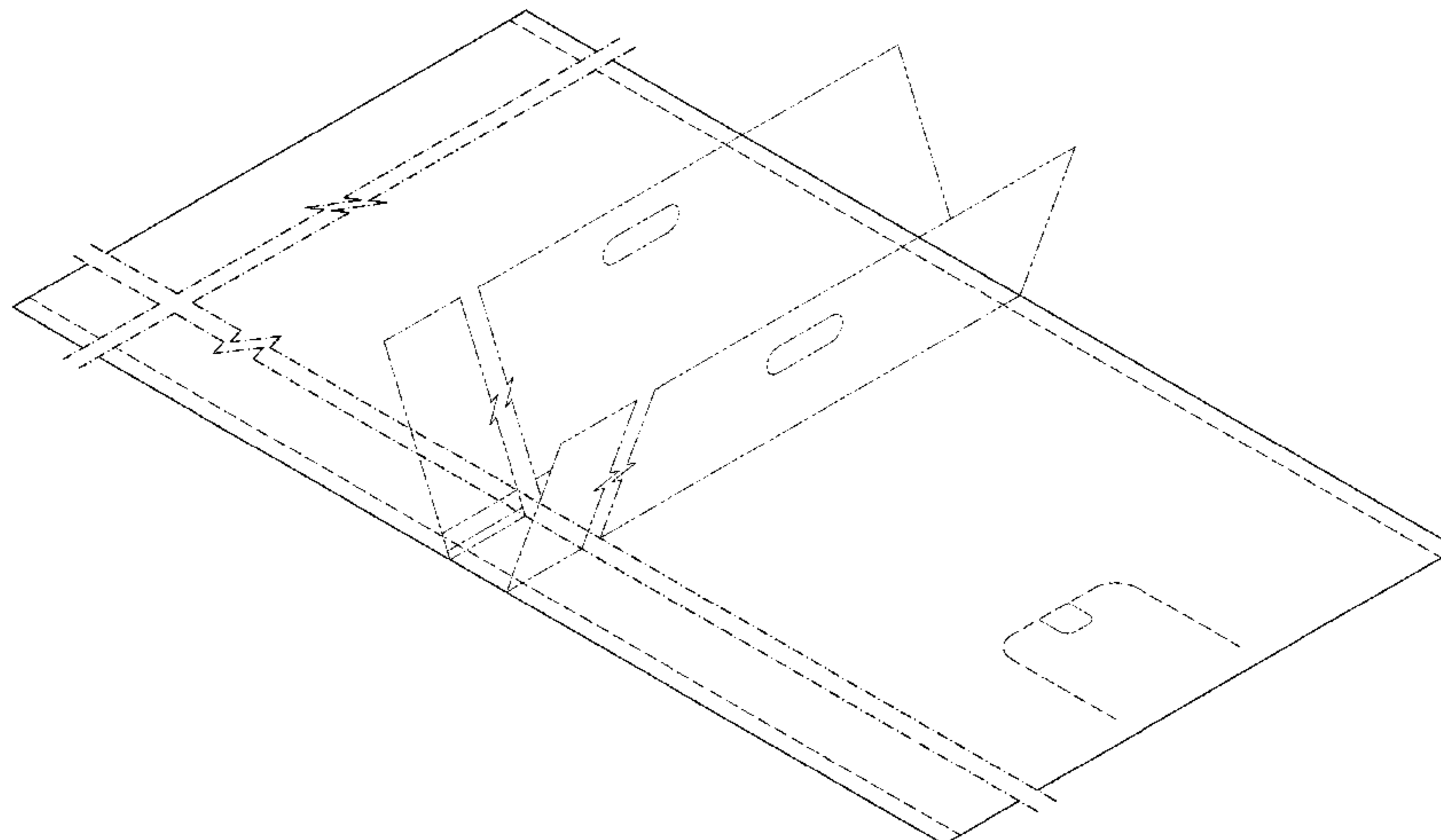
The ornamental design for a low profile carry bag, as shown and described.

DESCRIPTION

FIG. 1 is a perspective of a low profile carry bag;
 FIG. 2 is a right side view thereof, the left side view being a mirror image of the right side view;
 FIG. 3 is a top view thereof;
 FIG. 4 is a bottom view thereof, the front and rear views forming no part of the present invention;
 FIG. 5 is a top view of a second embodiment of a low profile carry bag, a tear out section at a different location on the bag;
 FIG. 6 is a top view of a third embodiment of a low profile carry bag, a tear out section at another different location on the bag;
 FIG. 7 is a top view of a fourth embodiment of a low profile carry bag;
 FIG. 8 is a top view of a fifth embodiment of a low profile carry bag;
 FIG. 9 is a top view of a sixth embodiment of a low profile carry bag;
 FIG. 10 is a perspective of a seventh embodiment of a low profile carry bag;
 FIG. 11 is a top view thereof; and,
 FIG. 12 is a bottom view thereof, the front and rear views forming no part of the present invention.

The perspective, right side, and bottom views of the embodiments in FIGS. 5 and 6 are as shown in FIGS. 1, 2, and 4, except that the low profile carry bag has the tear out section at the location shown in the embodiments of FIGS. 5 and 6. The perspective, right side and bottom views of the embodiments in FIGS. 7-9 are as shown in FIGS. 1, 2, and 4, except

(Continued)



that the low profile carry bag has the tear out section of the shape shown in the embodiments of FIGS. 7-9.

The right side view of the embodiment in FIGS. 10-12 are as shown in FIG. 2.

The elements shown in broken lines of dashes of substantially equal length indicate lines of perforations, which are aspects of the claimed design. The elements shown in broken lines in a dashed, long-short-short-long pattern form no part of the claimed design.

Break lines indicate indeterminate length or indeterminate width with portions between the respective break lines forming no part of the claimed design.

1 Claim, 12 Drawing Sheets

(58) **Field of Classification Search**

USPC 383/119, 108, 103, 106, 120, 127;
 222/92, 107, 215; 220/666; 211/85.15;
 206/406, 811, 484, 260; 428/35.2;
 D3/203.1, 203.2, 303
 CPC B65D 33/00; B65D 33/24; B65D 1/00;
 B65D 1/32; B65D 11/00; B65D 11/10;
 B65D 11/20; B65D 17/00; B65D 17/04;
 A61J 1/00; A61J 1/10

See application file for complete search history.

(56) **References Cited**

U.S. PATENT DOCUMENTS

4,483,018 A 11/1984 Whelan
 4,573,203 A 2/1986 Peppiatt

4,691,368 A 9/1987 Roessiger
 4,834,552 A 5/1989 Makowka
 4,966,286 A 10/1990 Muckenfuhs
 5,048,687 A 9/1991 Suzuki et al.
 5,054,619 A 10/1991 Muckenfuhs
 D323,979 S * 2/1992 Forman D9/709
 5,163,558 A 11/1992 Palumbo et al.
 5,361,905 A 11/1994 McQueeney et al.
 5,372,428 A 12/1994 Bruno et al.
 5,482,376 A 1/1996 Moseley et al.
 5,593,229 A 1/1997 Warr
 5,655,843 A 8/1997 Conrad et al.
 5,666,445 A 9/1997 Conrad et al.
 5,676,467 A 10/1997 Gebhardt
 5,741,077 A 4/1998 Sasaki et al.
 5,951,166 A 9/1999 Matsumoto
 6,033,392 A 3/2000 Frey et al.
 D557,148 S * 12/2007 Kapinos, Sr. D9/707
 7,530,740 B2 5/2009 Geyer
 D799,337 S * 10/2017 Bhati D9/702
 2017/0050768 A1 2/2017 Tseng et al.
 2018/0162603 A1 6/2018 Tan

FOREIGN PATENT DOCUMENTS

JP H0302754 A 2/1991
 JP H08182524 A 7/1996
 JP 2009269622 A 11/2009
 WO 9818678 5/1998

OTHER PUBLICATIONS

Web-page for Seal2Go—Pan Pacific, <http://pppmi.com/seal-2-go/>
 pp. 3.

* cited by examiner

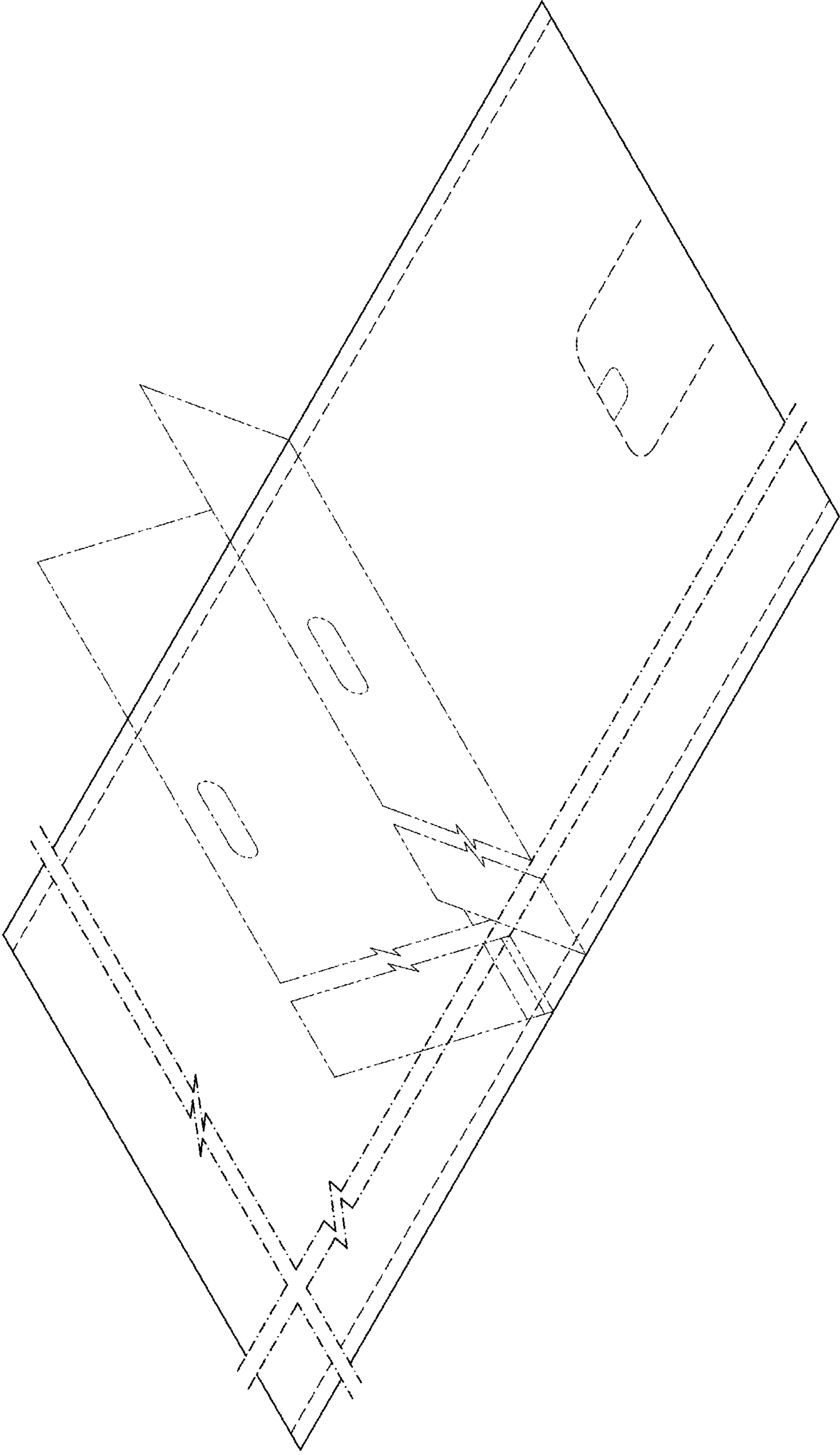


FIG. 1

FIG. 2

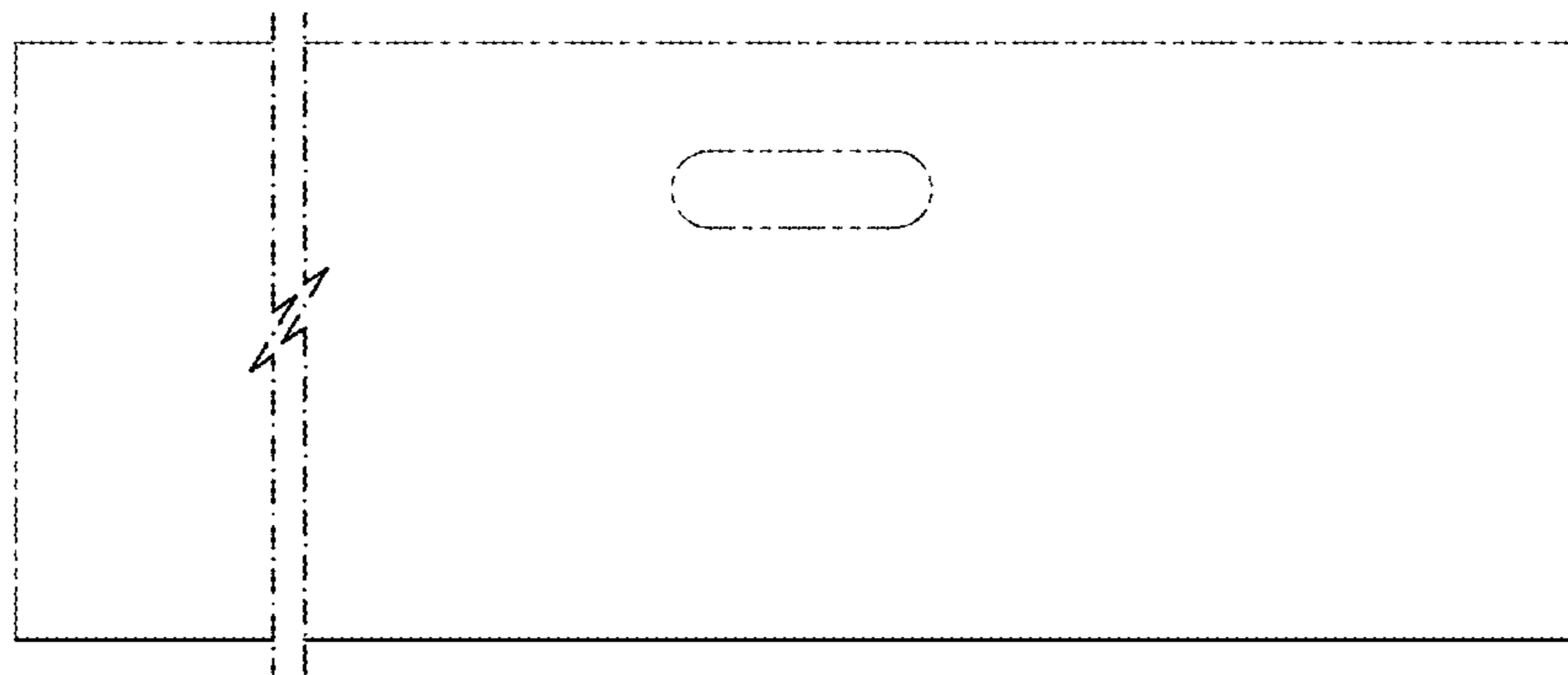


FIG. 3

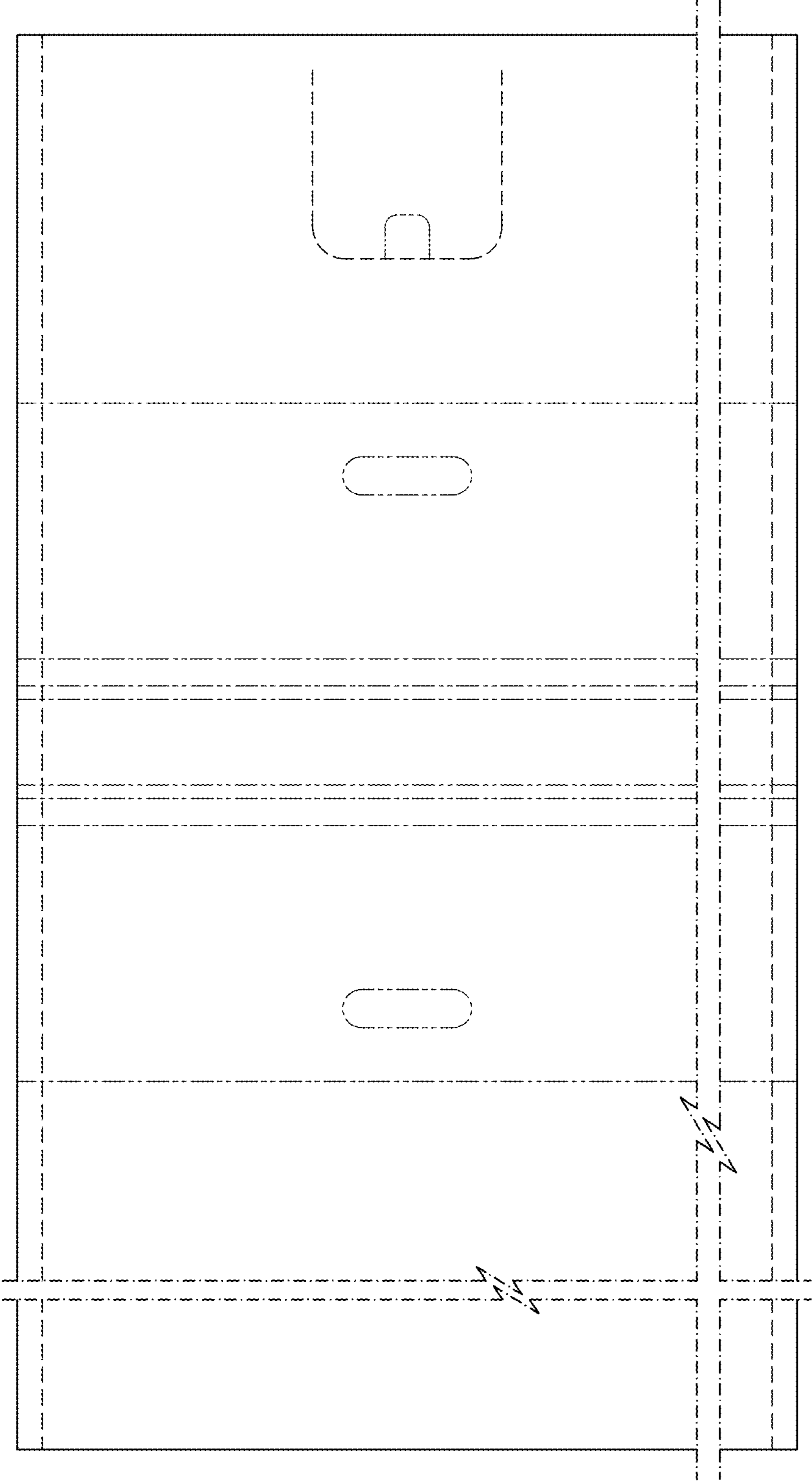


FIG. 4

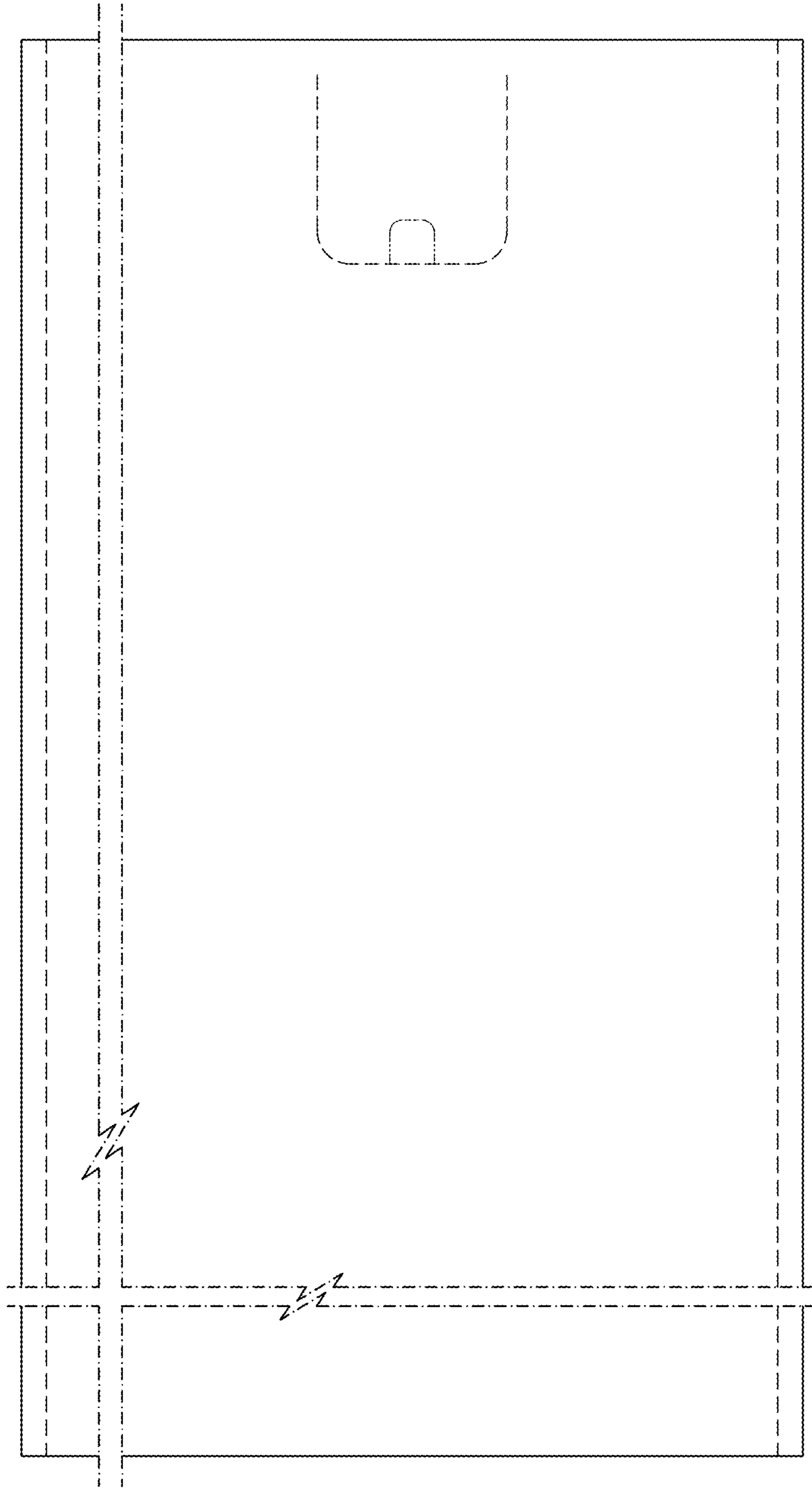


FIG. 5

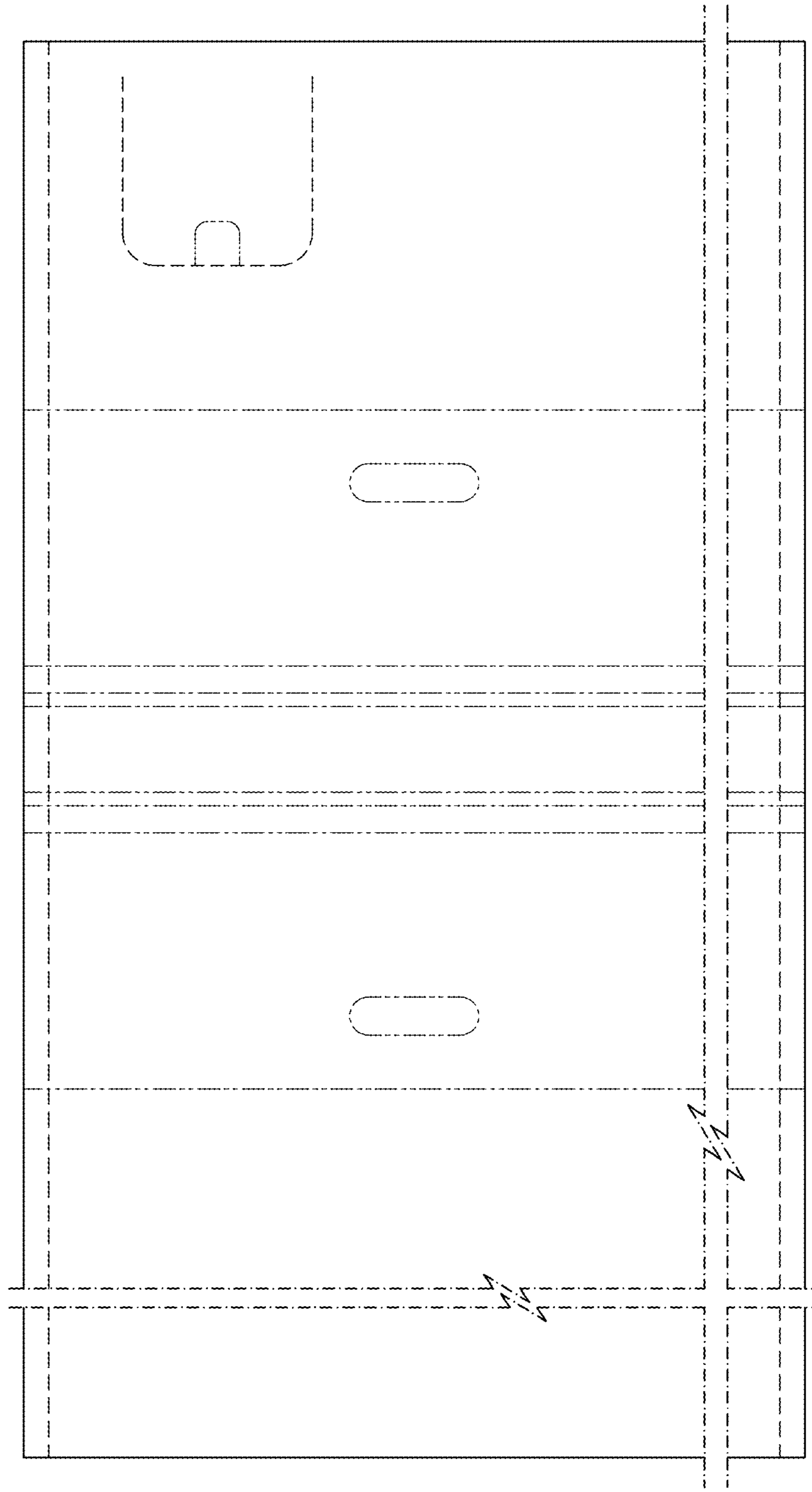


FIG. 6

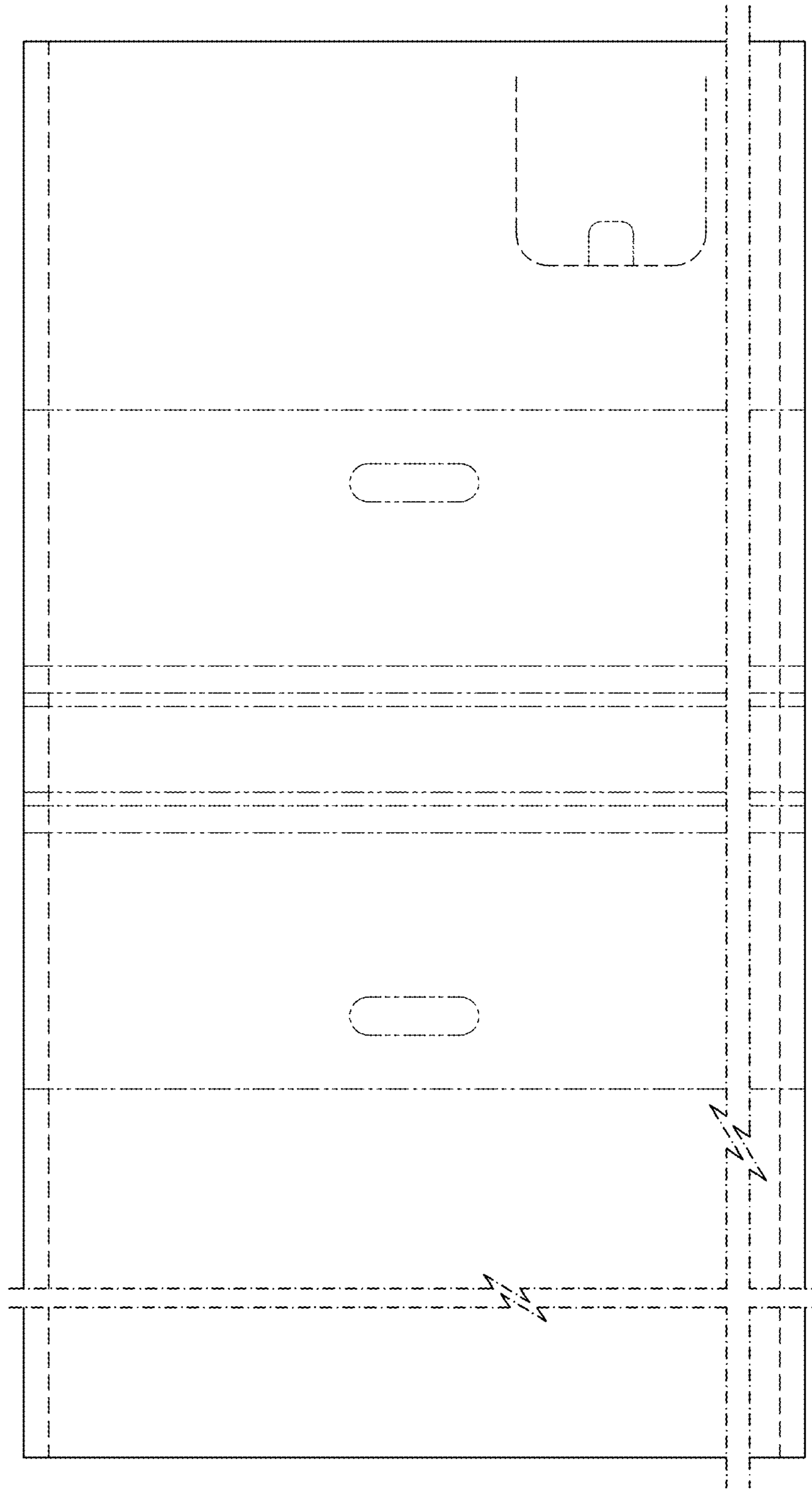


FIG. 7

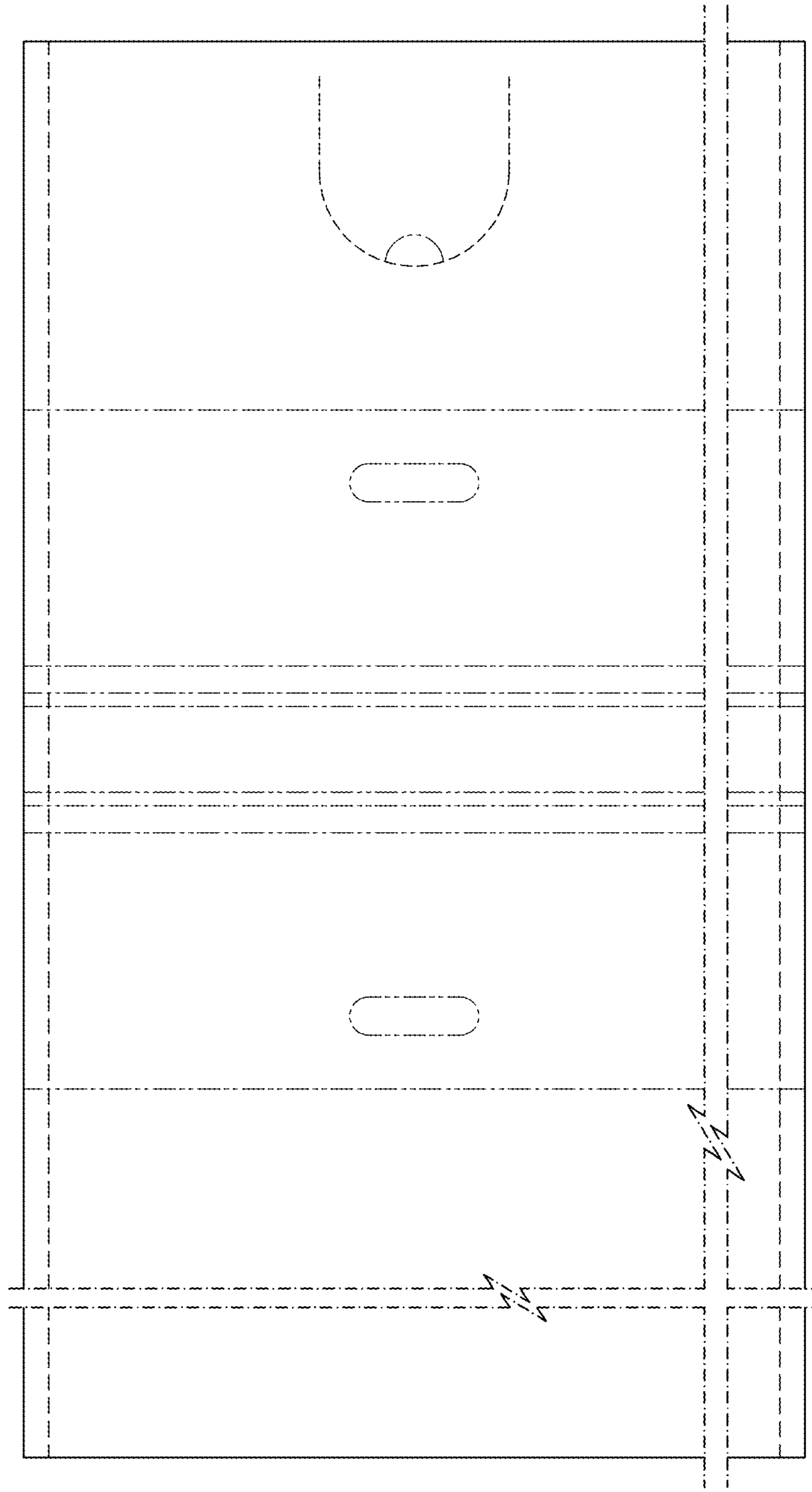
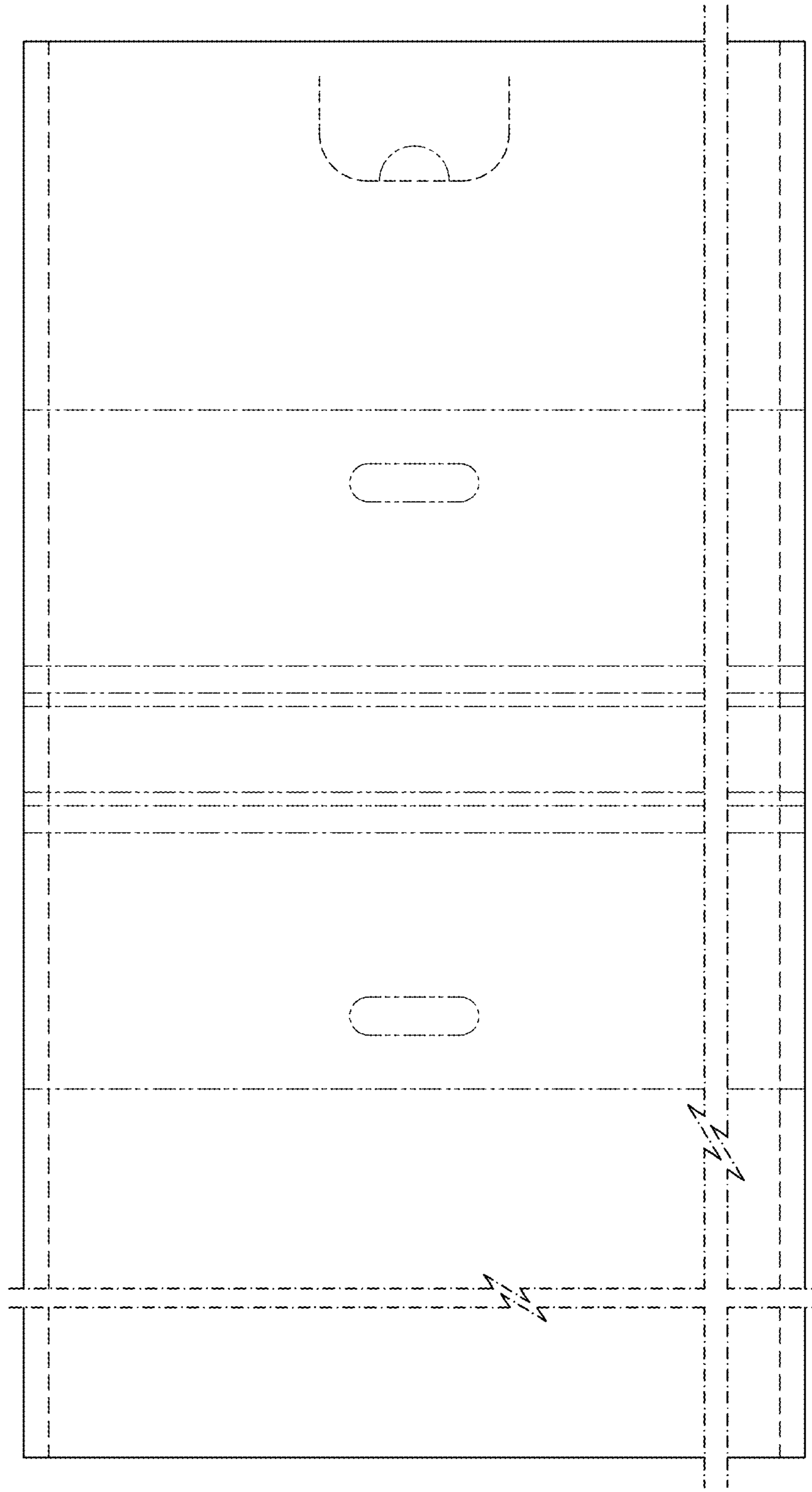


FIG. 8



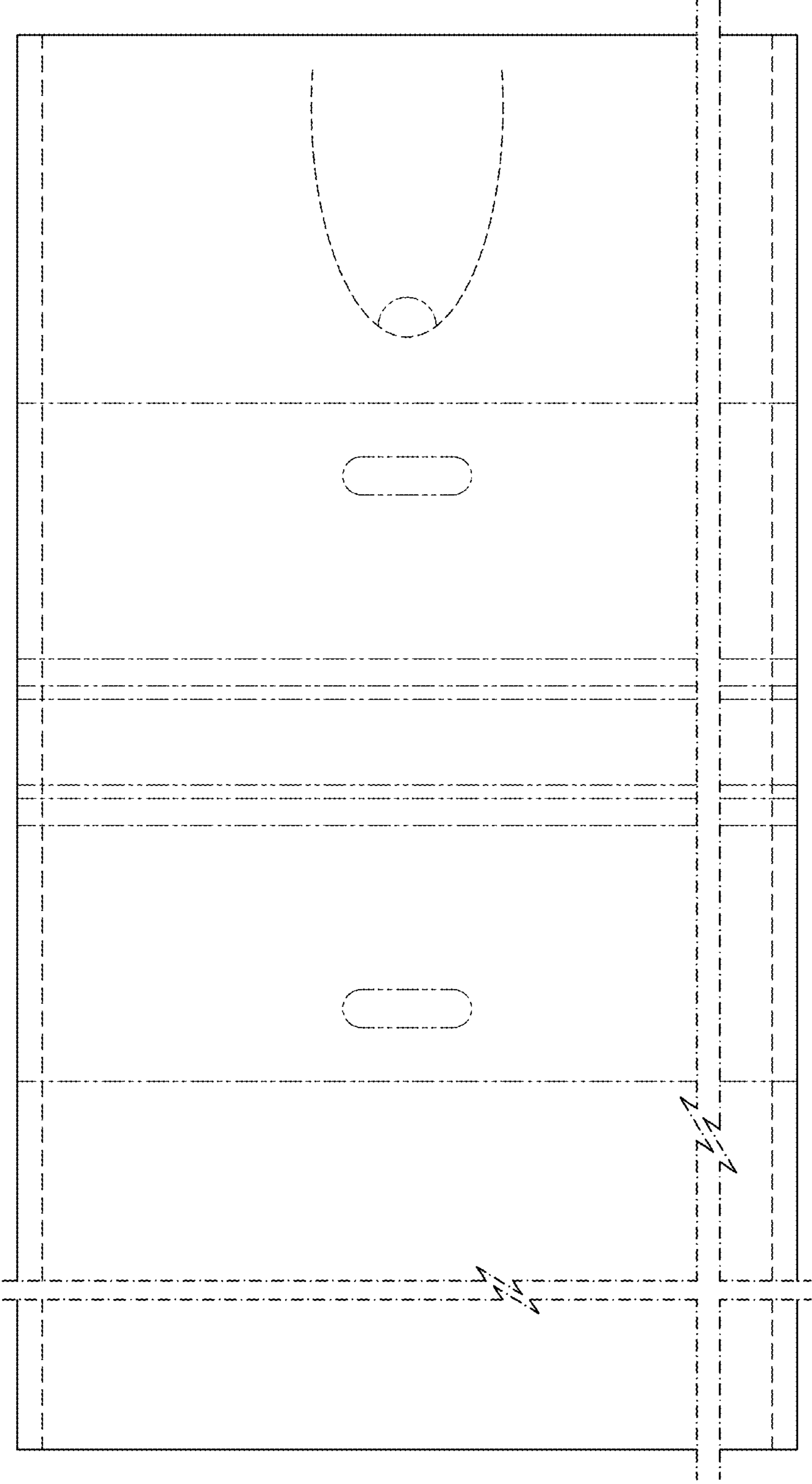


FIG. 9

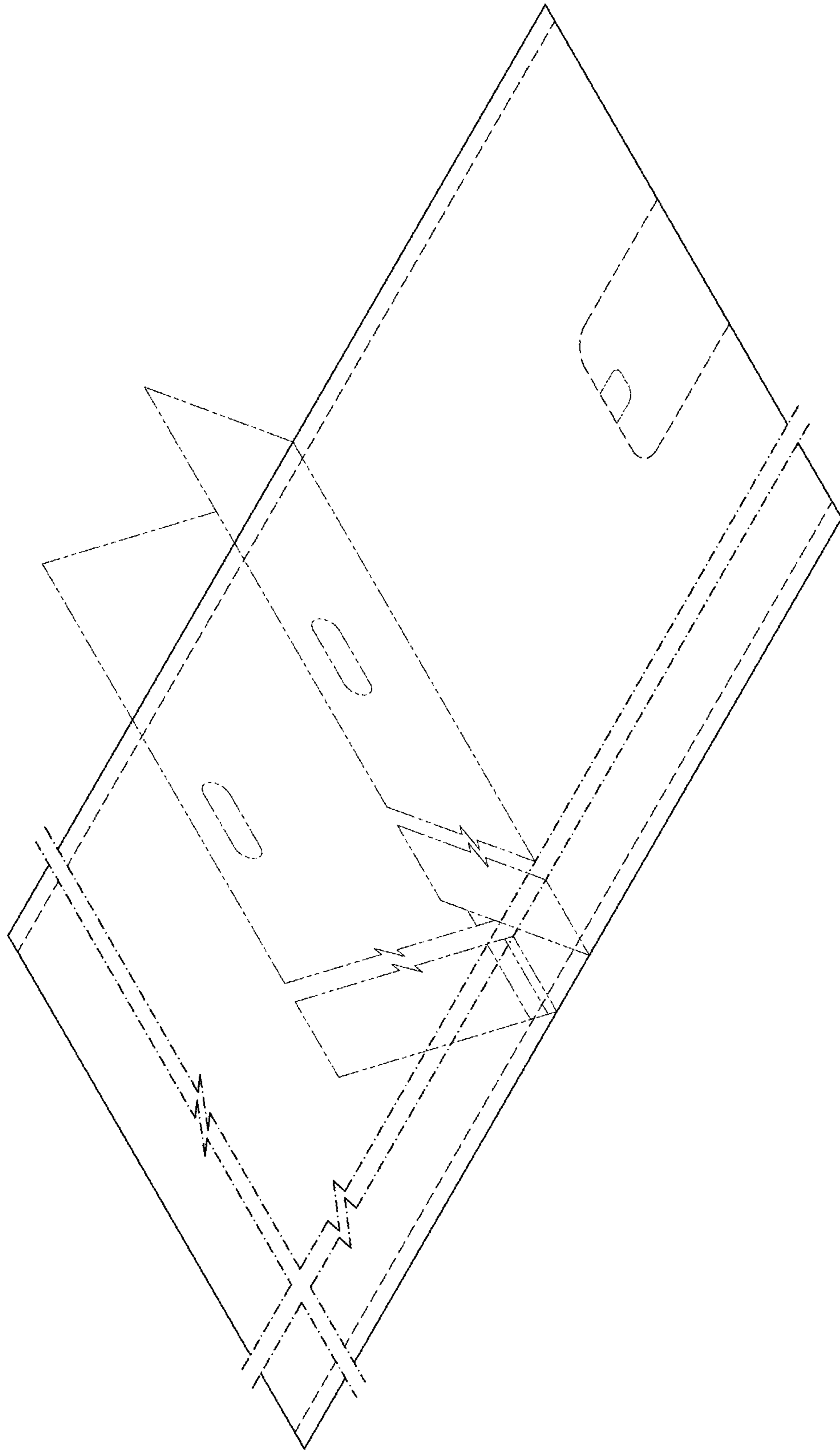


FIG. 10

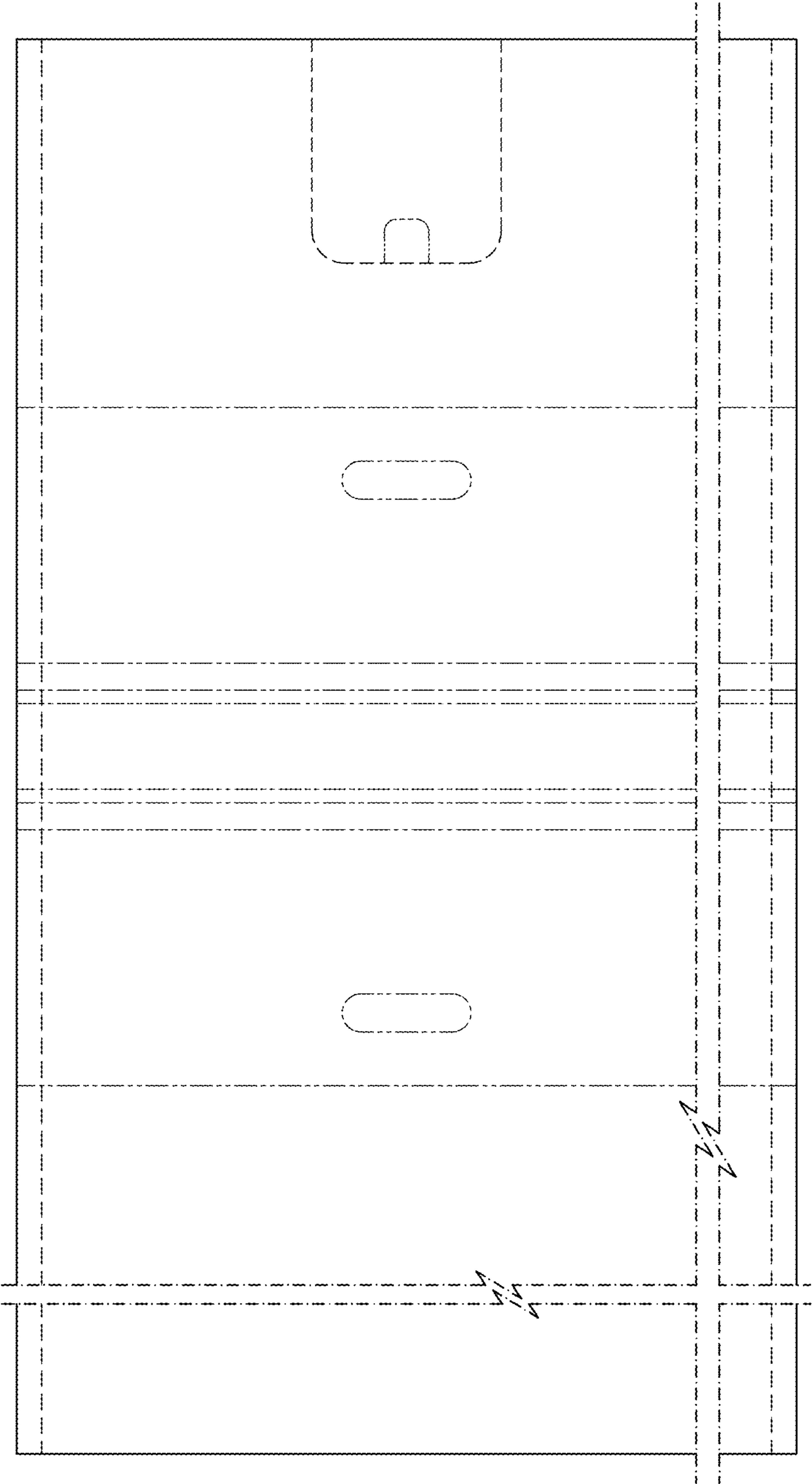


FIG. 11

FIG. 12

